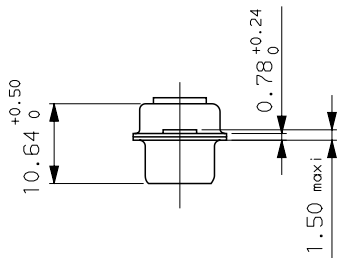
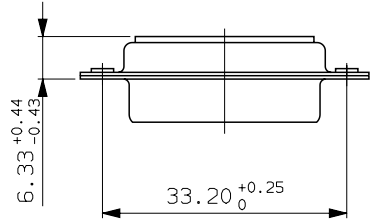
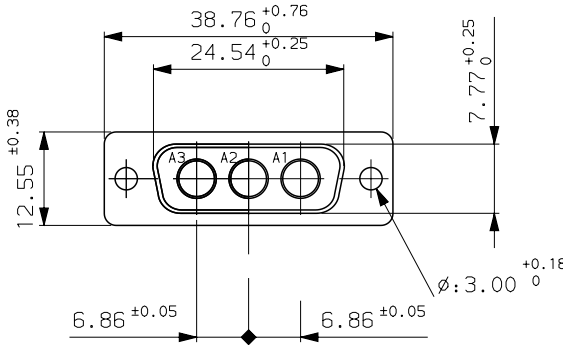
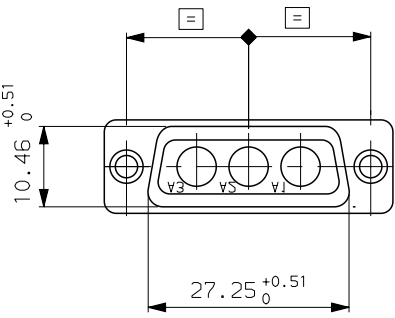


GENERAL CHARACTERISTICS : SEE DRAWING C01-8639-0001



Core range
DA3W3SA00
PART NUMBER



c	31/10/03	--	update	--
ISS	DATE	Lastest modification by : BART.S		MOD N°
Designed by: JARRY		date 26/01/96	Type of drawing: CUSTOMER	
Checked by : FONTENEAU		date 26/01/96	Released by: --	--
TITLE : SOCKET CONNECTORS SUB D FOR POWERS CONTACTS				
SCALE	Special mfg:--	MATERIAL:--	N°: --	
1.5	item list n°: --	--		
	General Linear Tolerances: --	General machining surface texture: -- <input type="checkbox"/>	Geometrical Tolerances see NF E 04-552	SHEET 1/1
	FRAMATOME CONNECTORS FRANCE Rue Louis Breguet - BP 05 72024 LE MANS Cedex Tel. 33 (16) 43.84.08.43		This document is the property of FRAMATOME CONNECTORS FRANCE It must not be reproduced or communicated without permission in writing flow the owners	
FORMAT A3	SOURIAU DRG N° C01-8639-0602-1		PROJECT M94D001	