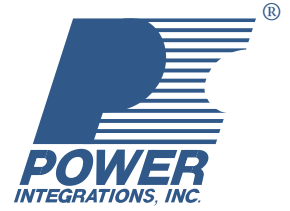


# Design Idea DI-56

## DPA-Switch™

### 19.2 W DC-DC Converter



Application	Device	Power Output	Input Voltage	Output Voltage	Topology
Telecom	DPA425R	19.2 W	36-75 VDC	±12 V	Flyback

### Design Highlights

- Low cost 400 kHz flyback design
- ±12 V outputs at ±5% accuracy
- Highly efficient diode rectification design - 80% at 48 V
- Low component count
- Accurate line OV and UV protection
- Thermal, short circuit and output overload protection
- No current sense components

### Operation

DPA-Switch greatly simplifies the design compared to a discrete implementation. Resistor R1 programs the under/over voltages and linearly reduces the maximum duty cycle with input voltage to prevent core saturation during load transients. Resistor R3 programs the DPA-Switch current limit at 77% of nominal to

minimize fault and overload power. Drain voltage clamping is provided by Zener diode VR1.

Output regulation is taken from the +12 V output. The -12 V output is magnetically coupled. Shared regulation of +12 V and -12 V may be used if better cross-regulation is required between the two outputs. Optional resistor R7, diode D3 and capacitor C16 implement a soft-finish network to slow the rise of the output voltage at start-up, preventing overshoot.

The bias winding provides operating power to the DPA-Switch. The regulation is fed back from the secondary through the opto-transistor of U2. The DPA-Switch will go into auto-restart in the event of optocoupler (U2) failure, or output short circuit. The optional resistor R5 and Zener diode VR2 provide a fail-safe output regulation path, limiting the instantaneous output overvoltage in the event of U2 failure.

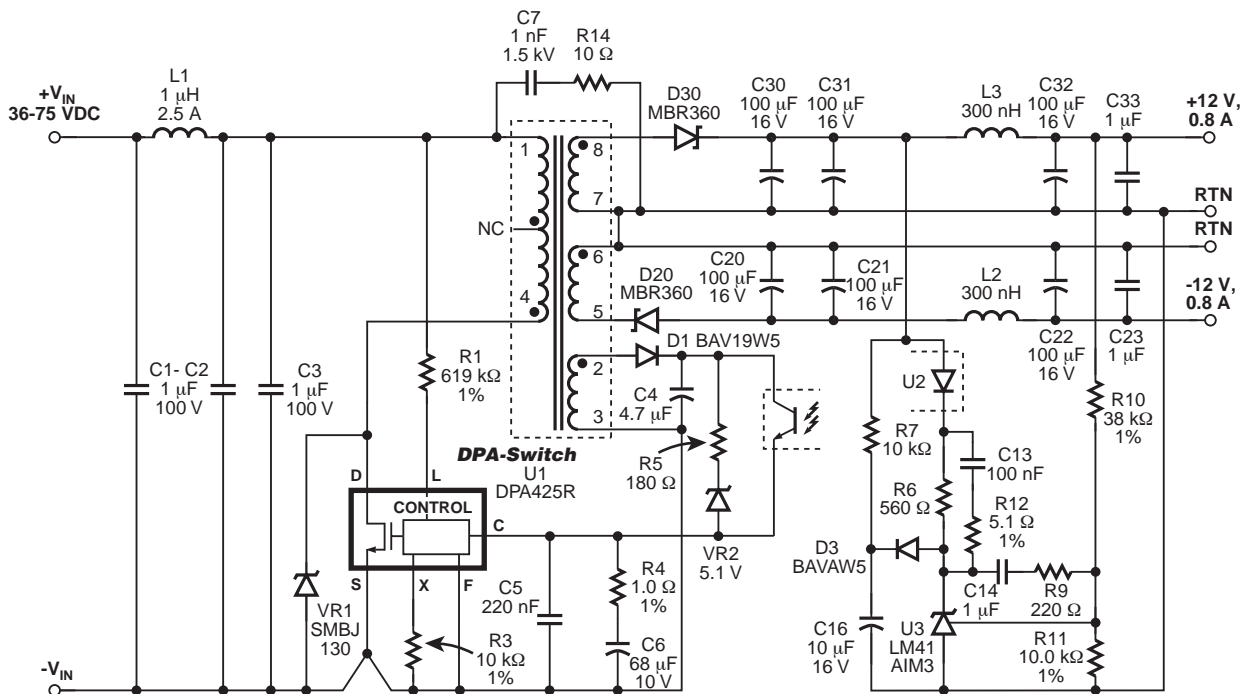


Figure 1. DPA425R - 19.2 W, ±12 V, 0.8 A, DC-DC Converter.

PI-3649-081103

## Key Design Points

- For the nominal under-voltage set point  $V_{UV}$ :  

$$R1 = (V_{UV} - 2.35) / 50 \mu A$$

$$V_{OV} = (R1 \times 135 \mu A) + 2.5 V$$
- For highest efficiency designs: use continuous conduction mode operation designed at approximately 0.4 KRP; minimize turns in the transformer and at this (19 W) power level keep AC flux density (BM) <1500 Gauss; fully fill a single layer for each winding to minimize leakage inductance and maximize copper fill factor; if possible use Schottky rectifying diodes (D20 and D30) with a low-forward drop.
- The transformer primary is split in order to minimize leakage inductance and thus obtain better cross-regulation. Note: minimizing primary leakage inductance will improve output cross-regulation at load extremes.
- The -12 V output is not directly sensed as part of the regulation loop. Cross-regulation may be improved by adding a second sense resistor to work in conjunction with R10. Both resistors R10 and the second sense resistor would be changed to 76 kΩ each.
- Set resonant frequency of post-filter (L2, C22 or L3, C32) beyond crossover frequency (typically 5% to 10% of switching frequency).

- Good layout practices
  - For length of +12 V secondary current loop from transformer pin 8, diode D30 and capacitors C30, C31 and back to pin 7 of the transformer: ensure identical path length for C30 and C31 to guarantee they equally share the ripple current.
  - The same is also true for the layout of the -12 V output.
- Choosing a larger *DPA-Switch* will increase efficiency at low and medium input voltages.

TRANSFORMER PARAMETERS	
Core Material	Epcos P/N: P 14x8 N87, ungapped
Bobbin	8-pin P 14x8 surface mount bobbin
Winding Details	Primary 7T + 7T, 2 x 29 AWG Bias 5T, 1 x 36 AWG +12 V 5T, 2 x 29 AWG -12 V 5T, 2 x 29 AWG
Winding Order & Pin Numbers	Primary-1 (4-NC), -12 V (6-5), Bias (2-3), +12 V (8-7), Primary-2 (NC-1)
Primary Inductance	22 μH ±25% (at 400 kHz)
Primary Resonant Frequency	3.8 MHz (minimum)
Leakage Inductance	0.75 μH (maximum)

Table 1. Transformer Design Parameters.

For the latest updates, visit our Web site: [www.powerint.com](http://www.powerint.com)

Power Integrations reserves the right to make changes to its products at any time to improve reliability or manufacturability. Power Integrations does not assume any liability arising from the use of any device or circuit described herein, nor does it convey any license under its patent rights or the rights of others. The products and applications illustrated herein (including circuits external to the products and transformer construction) may be covered by one or more U.S. and foreign patents or potentially by pending U.S. and foreign patent applications assigned to Power Integrations. A complete list of Power Integrations' patents may be found at [www.powerint.com](http://www.powerint.com).

The PI Logo, *TOPSwitch*, *TinySwitch*, *LinkSwitch* and *EcoSmart* are registered trademarks of Power Integrations, Inc. *PI Expert* and *DPA-Switch* are trademarks of Power Integrations, Inc. ©Copyright 2003, Power Integrations, Inc.

### WORLD HEADQUARTERS

Power Integrations, Inc.  
San Jose, CA, USA  
Phone: +1 408-414-9200

### AMERICAS

Power Integrations, Inc.  
Buford, GA, USA  
Phone: +1 678-714-6033

### CHINA (SHANGHAI)

Power Integrations Intl. Holdings, Inc.  
Shanghai, China  
Phone: +86-21-6215-5548

### CHINA (SHENZHEN)

Power Integrations Intl. Holdings, Inc.  
Shenzhen, China  
Phone: +86-755-8367-5143

### GERMANY

Power Integrations GmbH  
Munich, Germany  
Phone: +49-895-527-3910

### INDIA (TECHNICAL SUPPORT)

Innovatech  
Bangalore, India  
Phone: +91-80-226-6023

### ITALY

Power Integrations S.r.l.  
Milano, Italy  
Phone: +39-028-928-6001

### JAPAN

Power Integrations, K.K.  
Kanagawa, Japan  
Phone: +81-45-471-1021

### KOREA

Power Integrations Intl. Holdings, Inc.  
Seoul, Korea  
Phone: +82-2-782-2840

### SINGAPORE (ASIA PACIFIC HQ)

Power Integrations Singapore Pte. Ltd.  
Singapore  
Phone: +65-6358-2160

### TAIWAN

Power Integrations Intl. Holdings, Inc.  
Taipei, Taiwan  
Phone: +886-2-2727-1221

### UK (EUROPE & AFRICA HQ)

Power Integrations (Europe) Ltd.  
Bracknell, Berkshire, United Kingdom  
Phone: +44-1344-462-300

### APPLICATIONS HOTLINE

Phone: +1 408-414-9660  
Fax: +1 408-414-9760

### CUSTOMER SERVICE

Phone: +1 408-414-9665  
Fax: +1 408-414-9765

For a complete list of our Worldwide Sales Representatives & Distributors visit our Web site:  
[www.powerint.com](http://www.powerint.com)

