

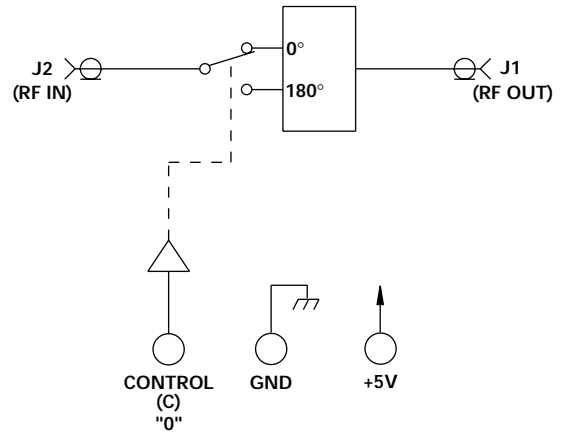
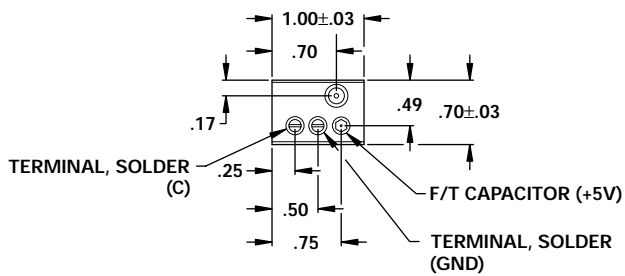
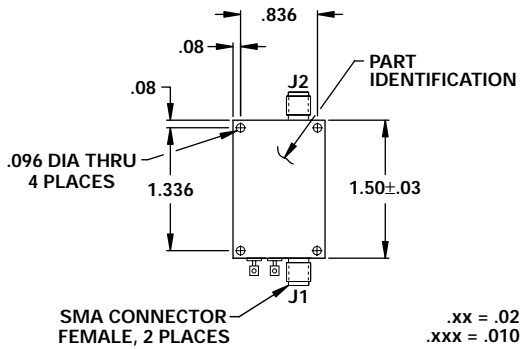
## FEATURES

- 10 - 500 MHz
- ±1 Deg. Phase Accuracy
- 0.3 mA, +5 VDC
- 1.0 dB Insertion Loss
- +17 dBm 0.1 dB Compression
- 35 nSec Transition Time
- 50 nSec Switching Speed
- TTL Control
- See DBP0938 For TO-8 Version



# MODEL NO. DPMB9058

## GaAs Bi-Phase Modulator



## GUARANTEED PERFORMANCE

Parameter	Min	Typ	Max	Units	Conditions
Operating Frequency	10		500	MHz	
DC Current		0.3	2.0	mA	At +5 VDC Supply
Control Type		TTL			1 Line Logic "1" = Phase Reversal
Control Current	High Low	0 0	±20 ±20	µA µA	V <sub>IH</sub> = +3.0 V V <sub>IL</sub> = +0.6 V
Insertion Loss		1.0 1.8	1.5 2.5	dB dB	10 - 100 MHz 100 - 500 MHz
Phase	Step Accuracy	180 ±1.0		DEG DEG	
VSWR		1.4/1	1.5/1		
Impedance		50		OHMS	
Switching Speed		50	70	nSec	50% TTL to 90% / 10% RF
Transition (Rise/Fall) Time		35	50	nSec	10% / 90% or 90% / 10% RF
Switching (Video) Transients		22	50	mV	Peak Value
Intercept Points	2nd 3rd	+80 +47		dBm dBm	70 MHz / 50 MHz 35 MHz / 50 MHz
RF Power	Operate No Damage	+15	+13 +23	dBm dBm	0.1 dB Compression
Operating Temperature	-55	+25	+85	°C	TA

