

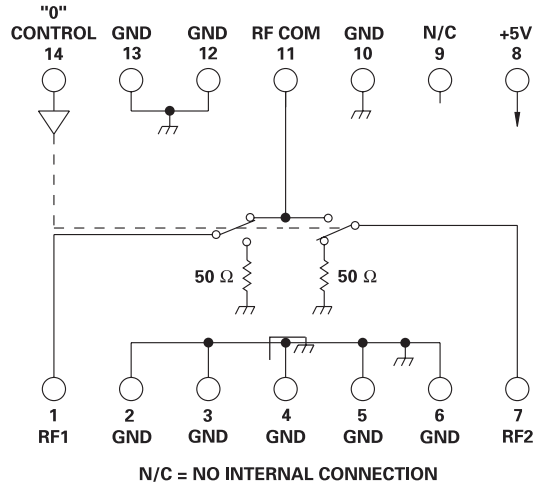
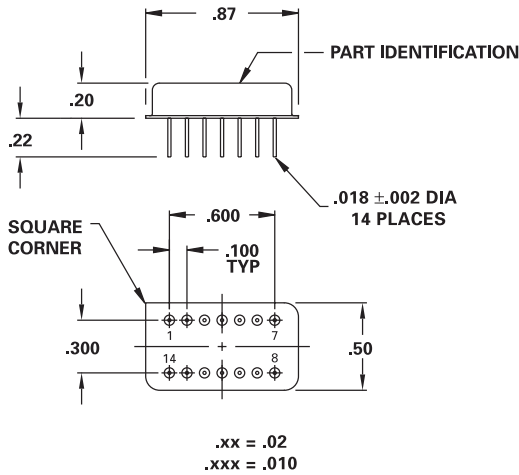
**MODEL NUMBER
DS0612**

Pin Diode SP2T

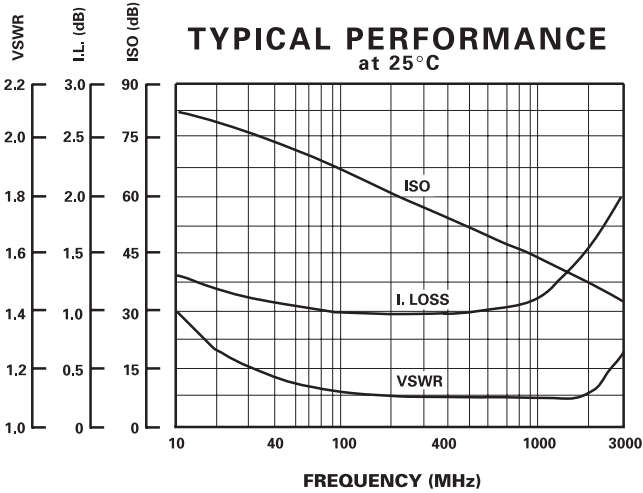
FEATURES

- 20-2000 MHz
- Low Cost
- TTL Driver
- Non-Reflective
- 14 Pin DIP

SP2T



GUARANTEED PERFORMANCE



Parameter	Min	Typ	Max	Units	Conditions
Operating Frequency	20		2000	MHz	
DC Current		2.2	3	mA	At +5 VDC Supply With 0V or +5V Cont.
Control Type					1 Line TTL or 5V CMOS Logic "0" = RF COM to RF1 Logic "1" = RF COM to RF2
Control Current	High Low		±1 ±1	µA	V _{IH} = +2.7V V _{IL} = +0.5V
Insertion Loss		1.3 1.1 1.6	1.7 1.7 2.3	dB	20 - 60 MHz 60 - 1000 MHz 1000 - 2000 MHz
Isolation	50 40 30	58 45 37		dB	20 - 200 MHz 200 - 1000 MHz 1000 - 2000 MHz
VSWR	Thru Termination	1.25/1 1.15/1 1.25/1 1.20/1	1.50/1 1.30/1 1.50/1 1.50/1		20 - 60 MHz 60 - 1000 MHz 1000 - 2000 MHz 20 - 2000 MHz
Impedance		50		OHMS	
Switching Speed		3.5	10	µSEC	50% TTL to 90% / 10% RF
Transition (Rise/Fall) Time		1		µSEC	90% / 10% or 10% / 90% RF
Switching (Video) Transients		120		mV	Peak Value
Intercept Points	2nd 3rd	+44 +35		dBm	@ 60 MHz @ 60 MHz
RF Power	Operate No Damage	+5 +10 +16	0 +5 +10 +20	dBm	0.1 dB Comp. 20 - 60 60 - 200 200 - 2000
Operating Temperature	-55	+25	+125	°C	TA