

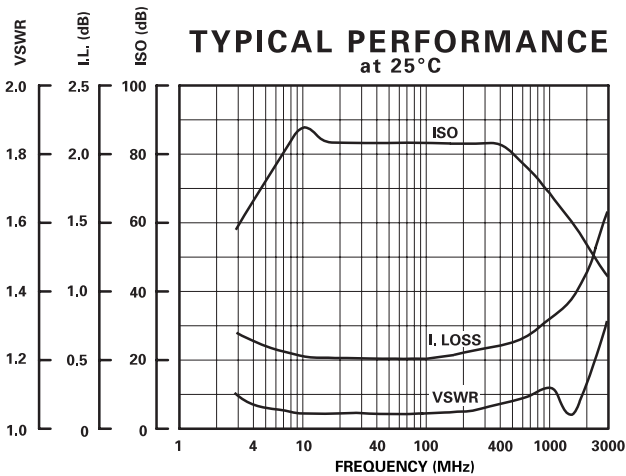
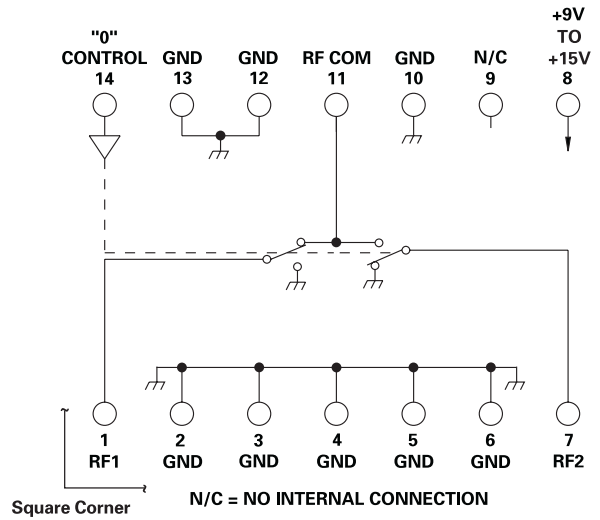
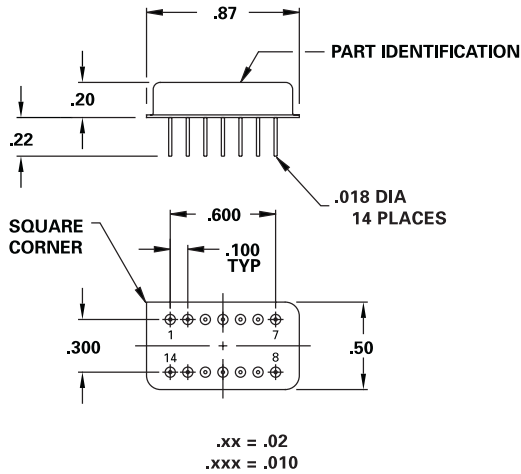
**MODEL NUMBER
DS0613**

PIN Diode SP2T

FEATURES

- 5-2000 MHz
- TTL Driver
- 14 Pin DIP

SP2T



GUARANTEED PERFORMANCE

| Parameter | Min | Typ | Max | Units | Conditions |
|------------------------------|-----------|--------|--------|-------|--|
| Operating Frequency | 5 | | 2000 | MHz | |
| DC Current | | 24 | 35 | mA | At +9 to +15 VDC Supply |
| Control Type | | TTL | | | 1 Line Logic "0" = COM to RF1 Logic "1" = COM to RF2 |
| Control Current | High | 1 | ±10 | µA | VIH = +2.7V |
| | Low | 1 | ±10 | µA | VIL = +0.5V |
| Insertion Loss | | 0.7 | 1.0 | dB | 5 - 500 MHz |
| | | 1.0 | 1.5 | dB | 500 - 1000 MHz |
| | | 1.2 | 1.7 | dB | 1000 - 2000 MHz |
| Isolation | 60 | 70 | | dB | 5 - 10 MHz |
| | 70 | 80 | | dB | 10 - 500 MHz |
| | 60 | 70 | | dB | 500 - 1000 MHz |
| | 50 | 60 | | dB | 1000 - 2000 MHz |
| VSWR | Thru | 1.15/1 | 1.25/1 | | 5 - 10 MHz |
| | | 1.10/1 | 1.20/1 | | 10 - 1000 MHz |
| | | 1.15/1 | 1.50/1 | | 1000 - 2000 MHz |
| Impedance | | 50 | | OHMS | |
| Switching Speed | | 2 | 3 | µSEC | 50% TTL to 90% / 10% RF |
| Transition (Rise/Fall) Time | | 0.5 | | µSEC | 90% / 10% or 10% / 90% RF |
| Switching (Video) Transients | | 360 | 700 | mV | Peak Value |
| Intercept Points | 2nd | +60 | +78 | dBm | 150 MHz / 350 MHz |
| | 3rd | +30 | +45 | dBm | 200 MHz / 350 MHz |
| RF Power | Operate | +7 | 0 | dBm | 5 - 20 MHz |
| | | +15 | +10 | dBm | 20 - 50 MHz |
| | | +20 | +13 | dBm | 50 - 2000 |
| | No Damage | | +27 | dBm | |
| Operating Temperature | -55 | +25 | +125 | °C | TA |