

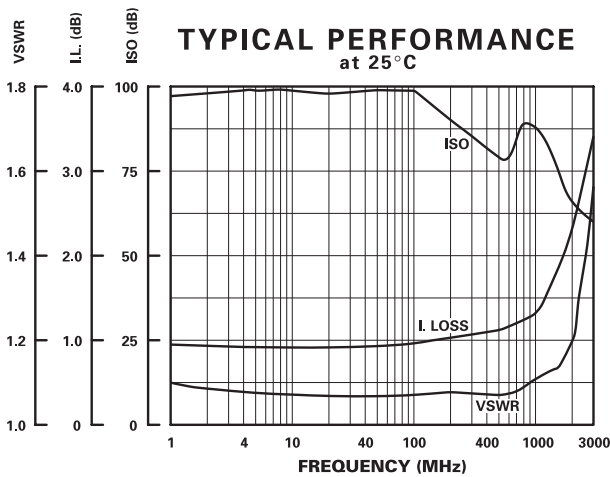
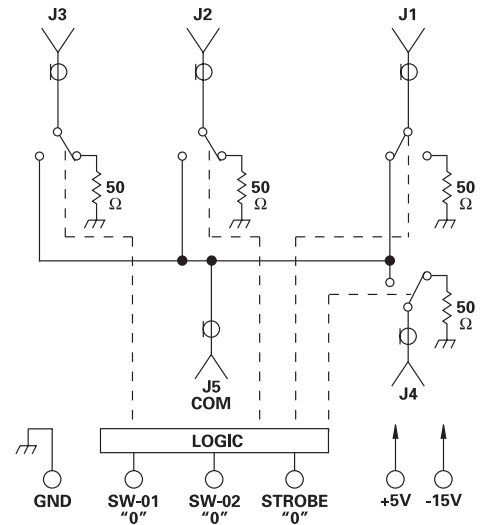
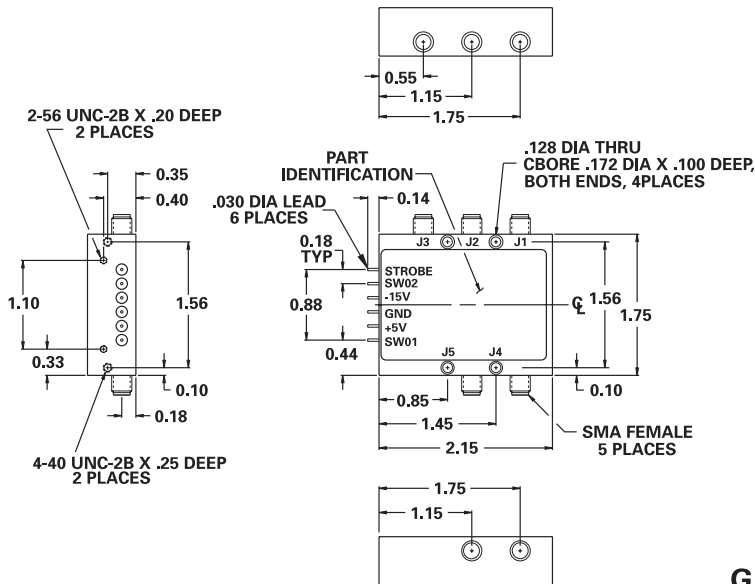
MODEL NUMBER DSW46194

GaAs SP4T

FEATURES

- 1-1200 MHz
- High Intercept Points
- 80 dB Isolation
- 1.25 dB Insertion Loss
- TTL Control
- Non-Reflective
- SMA Connectors

SP4T



LOGIC TABLE			
Strobe	SW-02	SW-01	Function
0	0	0	J5 - J1
0	0	1	J5 - J2
0	1	0	J5 - J3
0	1	1	J5 - J4
1	X	X	Last State When Strobe was at a low level

X = Don't Care

GUARANTEED PERFORMANCE

Parameter	Min	Typ	Max	Units	Conditions
Operating Frequency	1		1200	MHz	
DC Current		27 40	43 53	mA	At +5 VDC Supply At -15 VDC Supply
Control Type		TTL			See Logic Chart
Control Current		High Low		μA	V _{IH} = +2.7V V _{IL} = +0.5V
Isolation	70	80		dB	500 - 1000 MHz
Insertion Loss		1.25 1.70	1.5 2.0	dB	1 - 100 MHz 100 - 1200 MHz
		Amp Balance Phase Balance	±0.1 ±1	dB DEG	Port to Port, REF J4 Port to Port, REF J4
VSWR		Thru Termination	1.15/1 1.25/1	1.25/1 1.5/1	
Impedance			50	OHMS	
Switching Speed			7.5 10	μSEC	50% TTL to 90% / 10% RF
Transition (Rise/Fall) Time			3	μSEC	10% / 90% or 90% / 10% RF
Switching (Video) Transients			-80 -70	dBm	
Intercept Points	2nd 3rd	+70 +80 +35 +40	+76 +100 +38 +61	dBm	1 - 20 MHz 20 - 1200 MHz 1 - 20 MHz 20 - 1200 MHz
RF Power	Operate		+14 +17 +30	+12 +15 +20	dBm dBm dBm
	No Damage			+30	dBm
					(0.1 dB Compression)
Operating Temperature	0	+25	+75	°C	TA



DAICO Industries

310.507.3242 • FAX 310.507.5701 • www.daico.com