

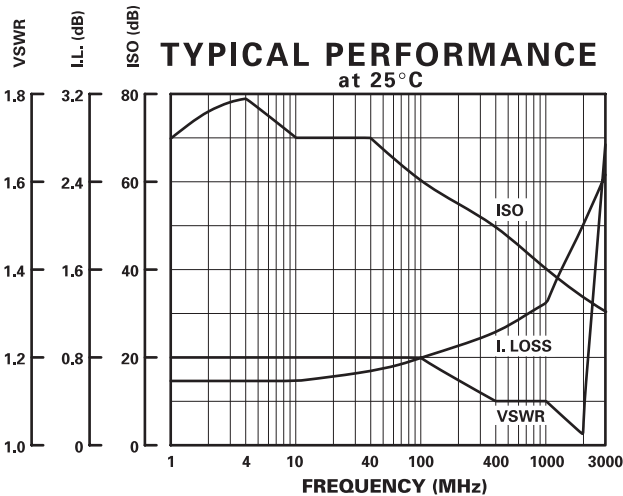
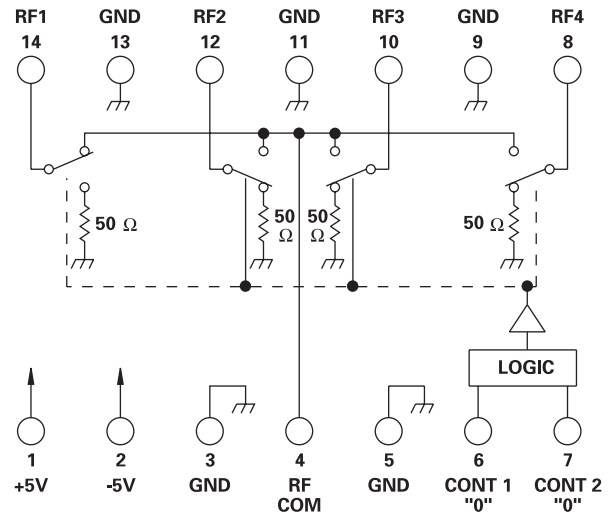
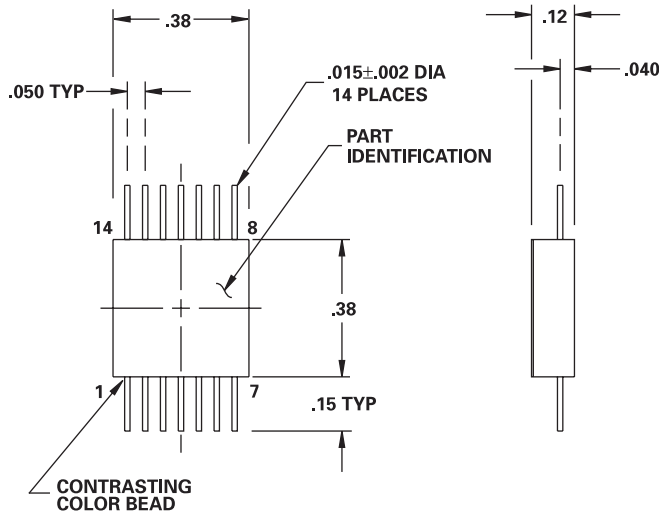
MODEL NUMBER DSW48024

GaAs SP4T

FEATURES

- DC - 2000 MHz
- Small 0.38" SQ Flatpack
- RF Common on One Side
- All RF Outputs on Opposite Side
- 2 Line TTL Control
- < 2 mA, ±5 VDC
- Non-Reflective

SP4T



LOGIC TABLE		
C1	C2	RF COM TO
0	0	RF1
1	0	RF2
0	1	RF3
1	1	RF4

GUARANTEED PERFORMANCE

Parameter	Min	Typ	Max	Units	Conditions
Operating Frequency	DC		2000	MHz	
DC Current		0.2 2	3 5	mA	At +5 VDC Supply At -5 VDC Supply
Control Type		TTL			2 Line (See Logic Table)
Insertion Loss		1.2 1.8	2.0 2.5	dB	DC - 500 MHz 500 - 2000 MHz
Isolation	35 30	42 36		dB	DC - 1000 MHz 1000 - 2000 MHz
VSWR		1.3/1 1.5/1	1.5/1 1.7/1		DC - 1000 MHz 1000 - 2000 MHz
Impedance		50		OHMS	
Switching Speed		42	60	n SEC	50% TTL to 90% / 10% RF
RF Power		+11 +13	+7 +10	dBm	20 - 50 MHz (0.1 dB Compression) 50 - 2000 MHz (0.1 dB Compression)
		+27	+30	dBm	No Damage
Operating Temperature	-55	+25	+125	°C	TA



DAICO Industries

310.507.3242 • FAX 310.507.5701 • www.daico.com