



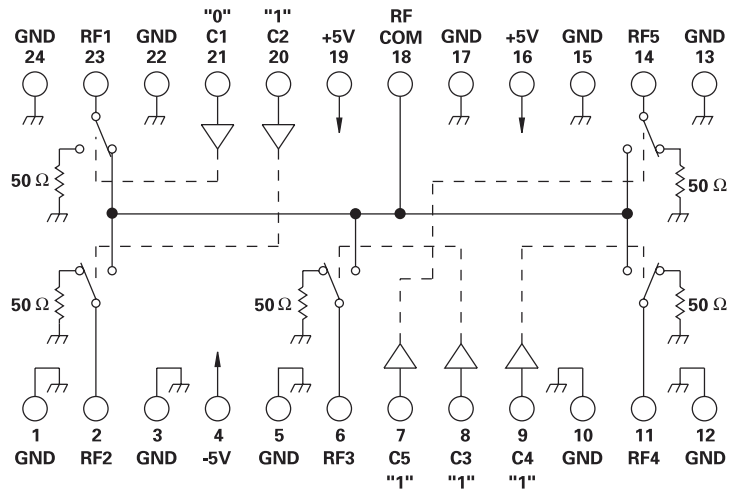
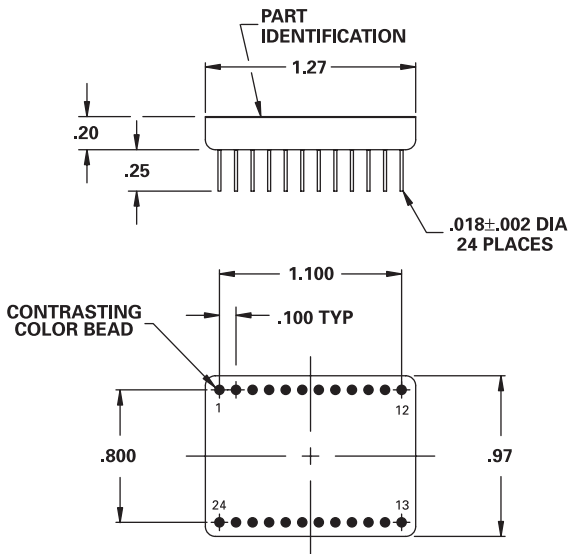
**MODEL NUMBER  
DSW52179**

**Switch SP5T**

**FEATURES**

- DC - 1000 MHz
- 36 nSec Switching Speed
- High Isolation, 70 dB Typical
- Low DC Bias, < 1 mA Typical

**SP5T**



**GUARANTEED PERFORMANCE**

Parameter	Min	Typ	Max	Units	Conditions
Operating Frequency	DC		1000	MHz	
DC Current		0.9 0.02	8 2	mA	At +5 VDC Supply At -5 VDC Supply
Control Type		TTL			Logic "0" = Thru
Control Current	High Low		0 0	μA	V <sub>IH</sub> = +2.7V V <sub>IL</sub> = +0.5V
Isolation	80 70 60	98 78 71		dB	DC - 50 MHz 50 - 500 MHz 500 - 1000 MHz
Insertion Loss		1.20	1.8	dB	
VSWR	Thru Termination	1.10/1 1.08/1	1.3/1 2.0/1		
Impedance		50		OHMS	
Switching Speed		36	70	nSEC	50% TTL to 90% / 10% RF
Transition (Rise/Fall) Time		5		nSEC	10% / 90% or 90% / 10% RF
Switching (Video) Transients		6		mV	Peak Value
Intercept Points	2nd 3rd	+74 +40		dBm	450 MHz / 150 MHz 225 MHz / 150 MHz
RF Power	Operate No Damage	+12 +17	+10 +13 +25	dBm	DC - 300 MHz 300 - 1000 MHz
Operating Temperature	-54	+25	+105	°C	TA

