

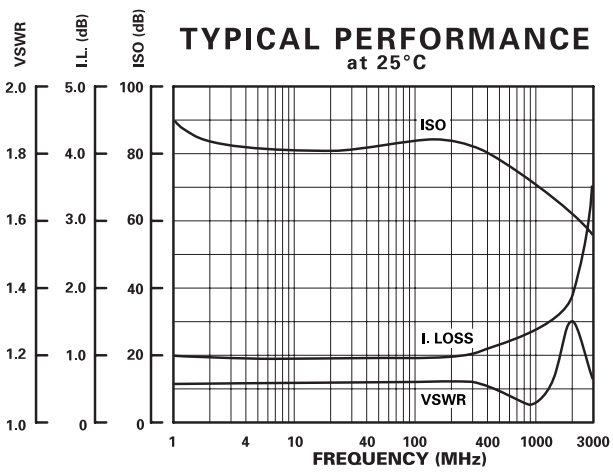
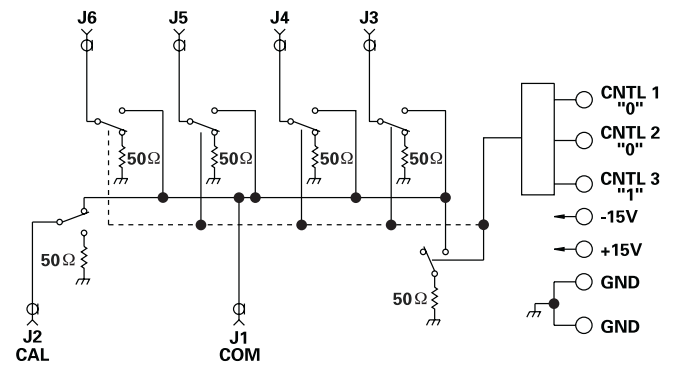
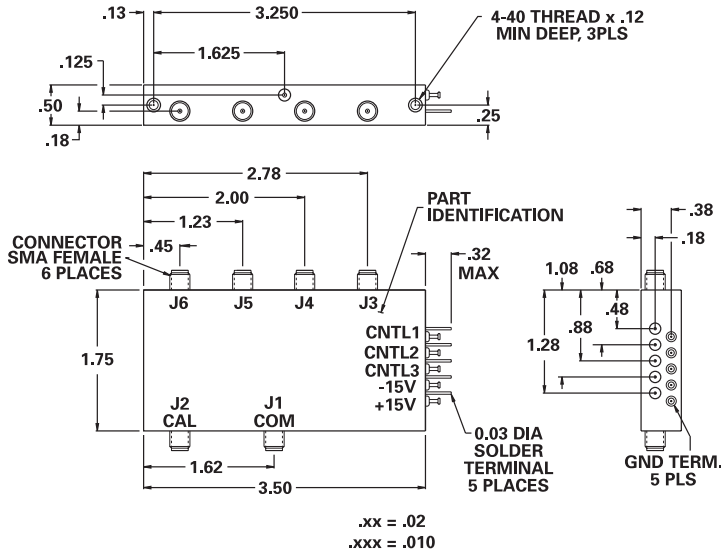
MODEL NUMBER DSW56178

Switch SP5T

FEATURES

- 2-2500 MHz
- 1.5 dB Isolation Loss
- 50 dB Isolation

SP5T



Logic Table				Function
INPUT CNTL				
CNTL 1	CNTL 2	CNTL 3		
0	0	0	All Off	
0	0	1	J1 - J2	
0	1	0	J1 - J3	
0	1	1	J1 - J4	
1	0	0	J1 - J5	
1	0	1	J1 - J6	
1	1	0	All Off	
1	1	1	All Off	

GUARANTEED PERFORMANCE

Parameter	Min	Typ	Max	Units	Conditions	
Operating Frequency	2		2500	MHz		
DC Current		35	50	mA	At +15 VDC Supply	
		23	50	mA	At -15 VDC Supply	
Control Type			TTL		3 Line, See Logic Table	
Control Current	High	1	20	µA	VIH = +2.7 V	
	Low	1	-400	µA	VIL = +0.5 V	
Isolation	50	56		dB		
Insertion Loss		1.3	1.5	dB	2 - 1000 MHz	
			2.5	3	dB	1000 - 2500 MHz
Amplitude Balance		±0.1	±0.3	dB	Reference between the calibration port and any input port of the switch	
Phase Tracking: Port to Port (Max Differential)		0.6	2	DEG	2 - 1000 MHz	
			1.5	10	DEG	1000 - 2500 MHz
VSWR	Thru			1.4/1		
	Termination		1.2/1	1.7/1		2 - 5 MHz
			1.3/1	1.5/1		5 - 2000 MHz
Impedance		50		OHMS		
Switching Speed		80	100	µSEC	50% TTL to 90% / 10% RF	
Transition (Rise/Fall) Time		10	100	µSEC	10% / 90% or 90% / 10% RF	
Switching (Video) Transients		0.7	1.4	V	Peak Value	
Intercept Points	2nd	+60	+64		dBm	
	3rd	+30	+43		dBm	
RF Power	Operate		+19	+15	dBm	0.1 dB Compression
	No Damage			+30	dBm	
Operating Temperature	-55	+25	+85	°C	TA	