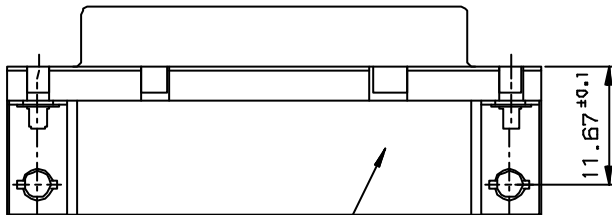
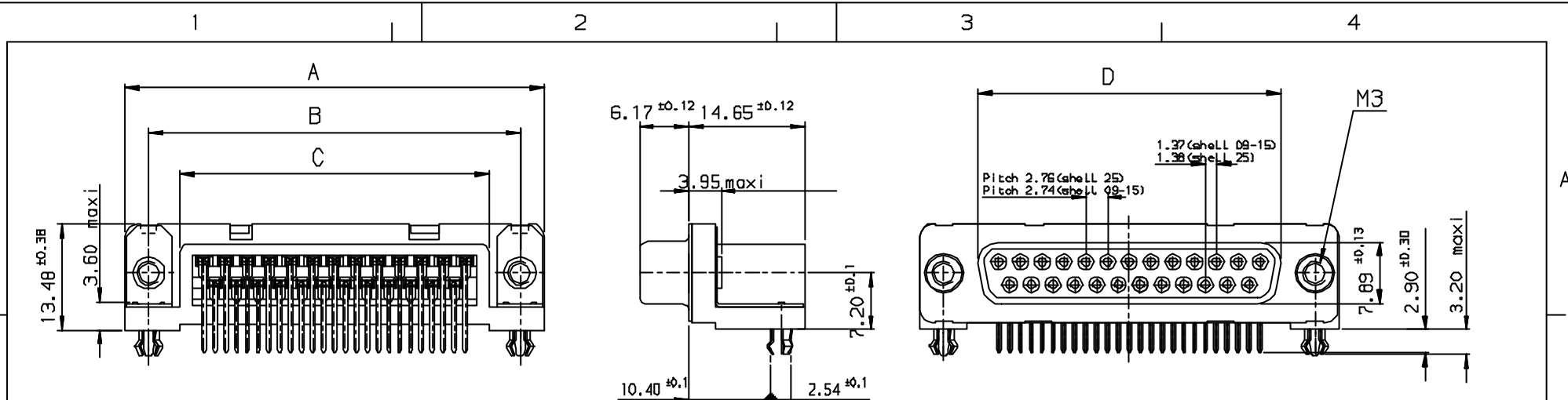


Tous droits strictement réservés. Reproduction ou communication à des tiers interdites sans autorisation écrite de la Direction de l'Ingénierie. Propriété de FCI. Droits de reproduction FCI.

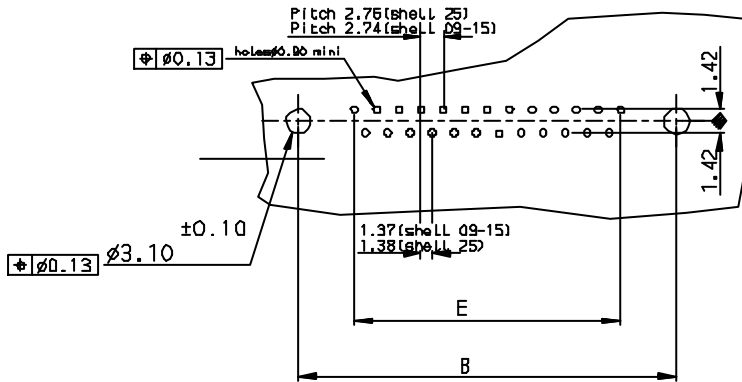
**FCI**

All rights strictly reserved. Reproduction or communication to third parties in any form without the written authorization from the proprietor. Property of FCI. Copyright FCI.



Part Number & Date Code Printing

PC card drilling dimensions (after plating)  
(thickness 1.60±0.20mm)



Pull Parts						
SHELL	A±0.38	B±0.12	C±0.10	D±0.25	PART NUMBER	LEAD FREE P/N
09	30.81	24.99	16.96	16.21	D09S13A4GL00	D09S13A4GL00**
15	39.14	33.32	25.18	24.54	D15S13A4GL00	D15S13A4GL00**
25	53.03	47.04	39.12	38.25	D25S13A4GL00	D25S13A4GL00**

GENERAL CHARACTERISTICS : SEE DRAWING CD1-8646-0000

LF FOR LEAD FREE

g	27705	LEAD FREE DETAILS ADDED
INDEX	DATE	REVISION DESCRIPTION

Utr	Eon no	Dr	date
g	105-0124	J5	27/7/05

Dr JOHN SLEEBA 14/10/94 Product Family D-SUB			Tolerance LINEAR ±0.1 ANGULAR ±1°	Projection	MM
Eng GEORGE VJ 14/10/94 Spec ref			D-SUB	A3	Scale
Chr GEORGE VJ 27/7/05 Material					
Appr K Somasundaram 27/7/05			ECN		
Title SOCKET CONNECT.DELTA D RIGHT ANGLE WITH NUT,HARPOON and metal plate.			Dwg no CD1-8646-0165		Rev. g
Catalog no DELTA-D			CUSTOMER COPY		Sheet 1 of 1