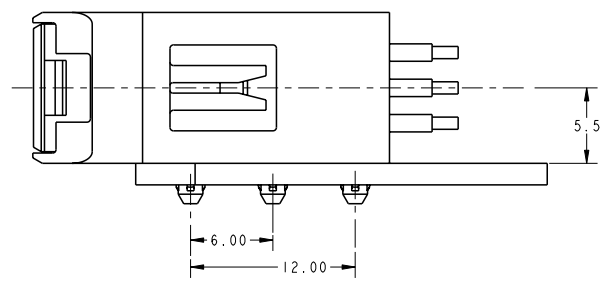
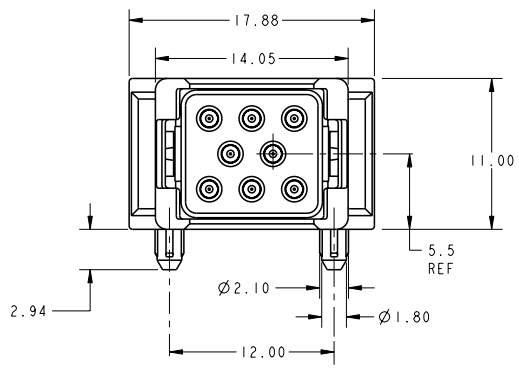
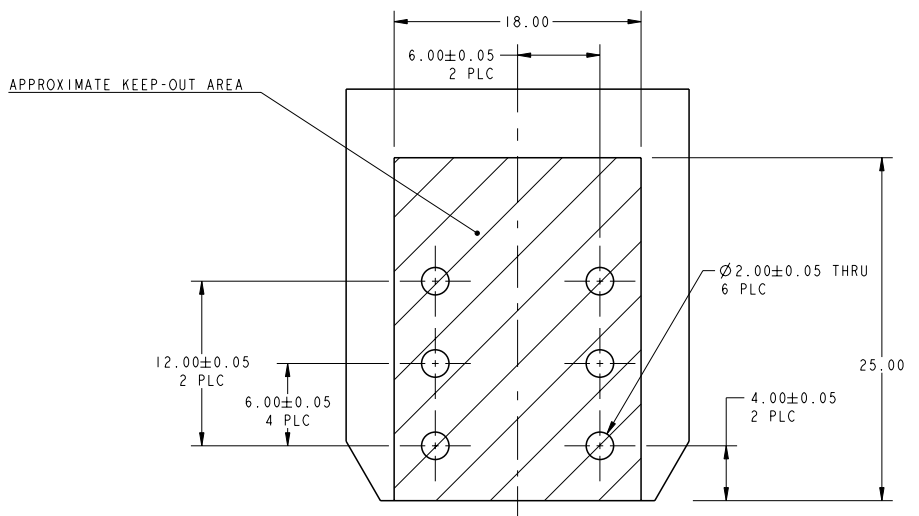
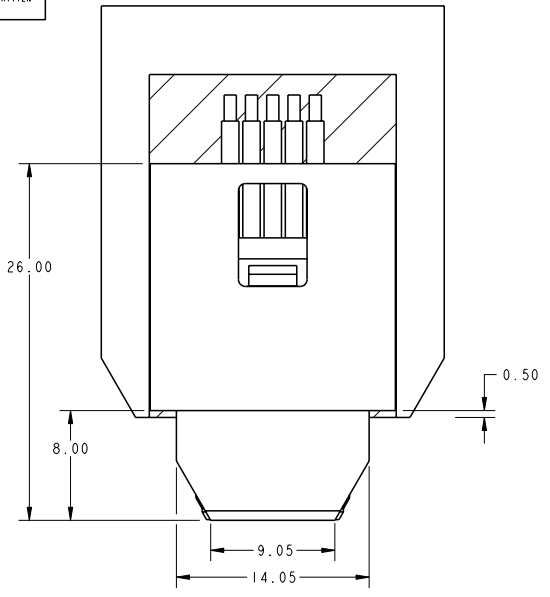


THIS IS ISSUED IN STRICT CONFIDENCE ON CONDITION THAT IT IS NOT USED AS A BASIS FOR MANUFACTURE OR SALE, AND THAT IT IS NOT COPIED, REPRINTED OR DISCLOSED TO A THIRD PARTY EITHER WHOLLY OR IN PART WITHOUT THE PRIOR WRITTEN CONSENT OF ITT CANNON.

REVISIONS			
REV	DESCRIPTION	DATE	APPROVAL
4	PROPOSED	26 JUN 01	SDG



RECOMMENDED PCB LAYOUT

CUSTOMER PRINT

1. MATERIAL: LCP OR SIMILAR, UL 94 V-0, BLACK.  
2. ALL DIMENSIONS ARE SUBJECT TO CHANGE PENDING PROTOTYPE VERIFICATION.

UNLESS OTHERWISE SPECIFIED:		TOL DECIMALS	TOL ANGLES	CRITICAL DIMENSIONS
-DIMENSIONS AND TOLERANCES AS PER ASME Y14.5M-1994		.X ± .5	X° ± P°	SPC DIMENSIONS
-DIMENSIONS ARE IN MILLIMETERS.		.XX ± .13	SURFACE ROUGHNESS	KEY CHARACTERISTIC
-REMOVE ALL BURRS AND SHARP EDGES		.XXX ±	63 (1.6)	
-DO NOT SCALE DRAWING.		.XXXX ±		
DRAWN	S. GHERARDINI	DATE	26 JUN 01	SURFACE AREA
CHECKED	***	DATE	***	REF
APPROVED	***	DATE	***	PART NO
		E2001-10008		
 <b>ITT Industries</b> ITT Cannon 666 E. DYER RD, SANTA ANA, CA 92705		SCALE	DESCRIPTION	
		4.000	ASSEMBLY, RIGHT ANGLE, 8 POSITION, PHD-TEMPUS	
CAGE CODE		SIZE	SHEET	REV
71468		C	1 / 1	4
3RD ANGLE PROJECTION		E2001-10008		

DWG. NO. CUSTOMER\_PRINT