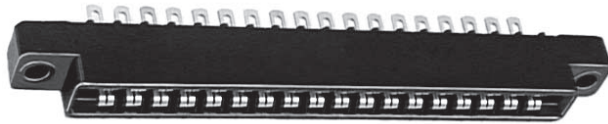


Edgeboard Connectors, Single Readout



ELECTRICAL SPECIFICATIONS

Current Rating: 5 amps.

Test Voltage Between Contacts:

At sea level: 1800VRMS.

At 70,000 feet [21,336 meters]: 450VRMS.

Insulation Resistance: 5000 Megohm minimum at 500VDC potential.

Contact Resistance: 30 millivolts maximum at rated current (with gold plating).

Operating Temperature: - 55°C to + 125°C.

Humidity: 96 hours at 90% relative humidity at + 40°C, dried at room temperature for 3 hours minimum, insulation resistance 5000 Megohm.

Durability: (With gold plating.) After 500 cycles of insertion and withdrawal of 0.070" [1.78mm] thick steel test gauge, contact resistance less than 0.030V at 5 amps and individual contact retention force when measured with a 0.054" [1.37mm] thick steel test slug greater than 1/2 ounce.

Shock: Three 50g shocks in each of 3 mutually perpendicular planes with no loss of continuity.

Vibration: 2 hours in each of 3 mutually perpendicular planes, frequency sweep 10 to 55cps at 0.06 double amplitude with no loss of continuity.

PHYSICAL SPECIFICATIONS

Contact Type: Bifurcated bellows.

Number of Contacts: 6, 10, 12, 15, 18 and 22 per side.

Contact Spacing: 0.156" [3.96mm] center to center.

Card Thickness: 0.054" to 0.071" [1.37mm to 1.80mm].

Card Slot Depth: Single Readout = 0.300" [7.62mm].

FEATURES

- 0.156" [3.96mm] C-C.
- Bifurcated bellows contacts provide 2 flexing contact surfaces to assure positive contact under adverse conditions such as vibration or PC board irregularities.
- Accepts PC board thickness of 0.054" - 0.071" [1.37mm - 1.80mm].
- Polarization between contact positions in all sizes. Between contact polarization permits polarizing without loss of a contact position.
- Selective gold plating.
- Polarizing key is reinforced nylon, may be inserted by hand, requires no adhesive.
- Protected entry, provided by recessed leading edge of contact, permits the card slot to straighten and align the board before electrical contact is made. Prevents damage to contact which might be caused by warped or out of tolerance boards.
- **Recognized under the Component Program of Underwriters Laboratories, Inc. Listed under File E65524, Project 77CH3889.**

APPLICATIONS

For use with 0.062" [1.57mm] printed circuit boards requiring an edgeboard type connector on 0.156" [3.96mm] centers.

MATERIAL SPECIFICATIONS

Body: (Standard) Glass-filled phenolic per MIL-M-14, dark green, flame retardant (UL 94V-0).

(Optional - See Ordering Information):

"1" glass-filled diallyl phthalate per MIL-M-14, Type SDG-F green, flame retardant (UL 94V-0).

"3" thermoplastic polyester, glass-filled, black, flame retardant (UL 94V-0).

Contacts: Phosphor bronze.

Polarizing Key: Glass reinforced nylon, flame retardant (UL94H-B).

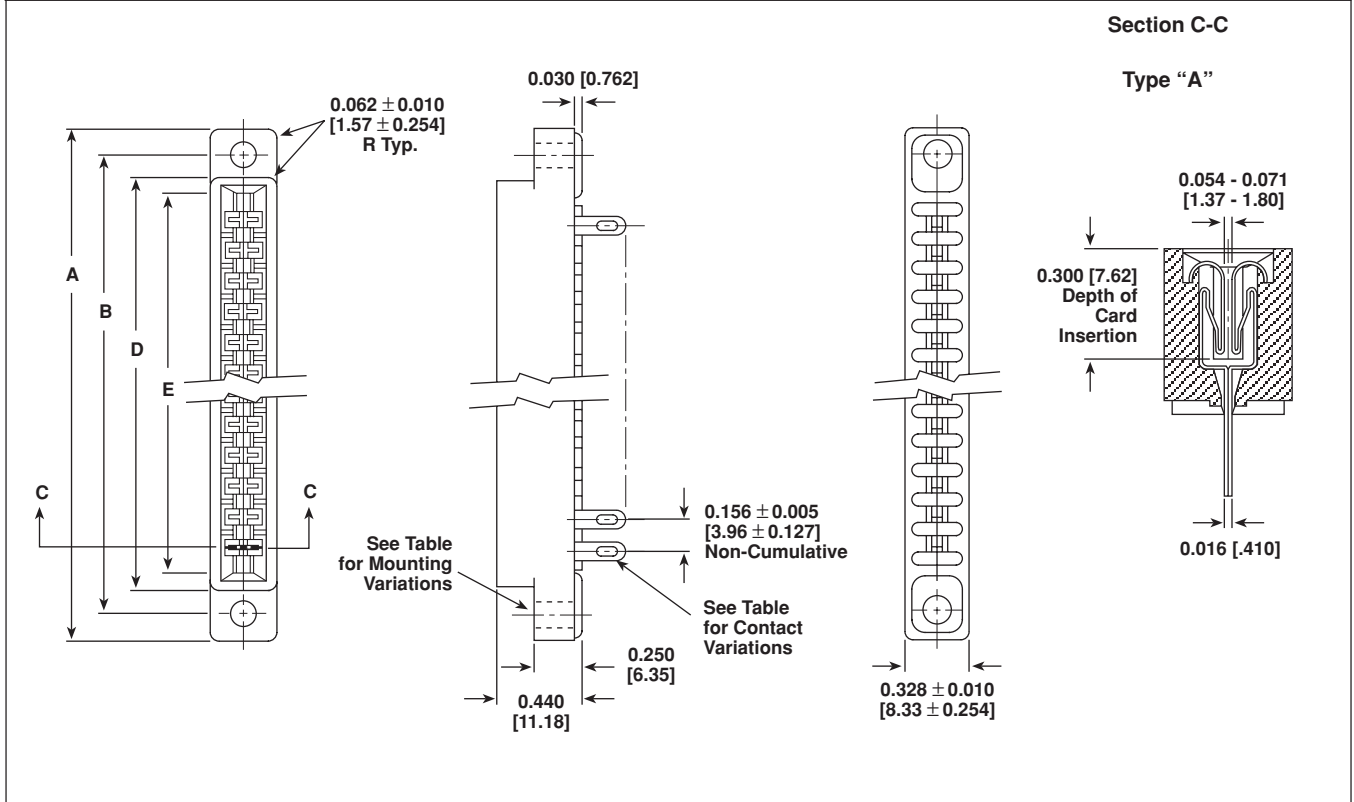
Contact Plating: Gold (See Ordering Information).

NOTE: High temperature burn-in, edgeboard connectors, 0.156" [3.96mm] center to center are on page 20 of this catalog.

ORDERING INFORMATION

EB7 MODEL	1 BODY MATERIAL	S SINGLE READOUT	A STANDARD TERMINAL VARIATIONS	22 CONTACTS	SG CONTACT PLATING	X MOUNTING VARIATIONS	A POLARIZING KEY POSITIONS
	Optional Body Material 1 = Diallyl Phthalate 3 = Glass-filled Polyester Omit for standard phenolic.		A or B	6, 10, 12, 15, 18 or 22	SG = Selective Gold Plating (0.00003" [0.000762mm] minimum thick) on contact area with Gold Flash on terminal. SGF = Selective Gold Plating (0.00001" [0.000254mm] minimum thick) on contact area with Gold Flash on terminal. All Gold Plating over 0.00005" [0.00127mm] minimum Nickel Underplate. Contact factory for additional plating options.		Key(s) are located to right of position(s) designated. Required only when polarizing keys are to be factory installed.

DIMENSIONS in inches [millimeters]



# OF CONTACT POSITIONS	A	B	D	E
6	1.78 [45.21]	1.531 [38.89]	1.218 [30.94]	1.100 [27.94]
10	2.41 [61.21]	2.156 [54.76]	1.843 [46.81]	1.724 [43.79]
12	2.72 [69.09]	2.468 [62.69]	2.156 [54.76]	2.036 [51.71]
15	3.19 [81.03]	2.937 [74.60]	2.624 [66.65]	2.504 [63.60]
18	3.66 [92.96]	3.406 [86.51]	3.093 [78.56]	2.972 [75.49]
22	4.28 [108.71]	4.031 [102.39]	3.717 [94.41]	3.596 [91.34]

POLARIZING KEY

When ordering polarizing keys individually, specify Model Number: PK-7 between contacts. Hand insertion tool, TPK-7, provided on request.

TERMINAL VARIATIONS in inches [millimeters]

**Type "A"
Pierced**

**Type "B"
Solder Dip**

MOUNTING VARIATIONS in inches [millimeters]			
<p>Type "V" Clearance Hole</p> <p>0.250 [6.35] Ref.</p> <p>0.142 [3.61] Dia.</p>	<p>Type "VI" Clearance Hole No Mounting Pad</p> <p>0.250 [6.35] Ref.</p> <p>0.142 [3.61] Dia.</p> <p>0.220 [5.59] Ref.</p>	<p>Type "W" No Mounting Flange</p> <p>0.010 [.254] 0.000 [.000]</p>	<p>Type "X" Clearance Hole</p> <p>0.250 [6.35] Ref.</p> <p>0.128 [3.25] Dia.</p>
<p>Type "XI" Clearance Hole No Mounting Pad</p> <p>0.250 [6.35] Ref.</p> <p>0.128 [3.25] Dia.</p> <p>0.220 [5.59] Ref.</p>	<p>Type "Y" Threaded Insert</p> <p>0.250 [6.35] Ref.</p> <p>4-40 UNC-2B</p> <p>0.218 [5.54] Ref.</p>	<p>Type "Z" Floating Bushing Radial Float .047 [1.19]</p> <p>0.250 [6.35] Ref.</p> <p>0.116 [2.95] Dia.</p> <p>0.250 [6.35] Dia.</p> <p>0.270 [6.86]</p> <p>NOTE: Overall body length increased by .060 [1.52].</p>	