

Proximity Sensors Inductive Stainless Steel Housing Types EI, Ø 4, 5 x 5 mm



- Miniature stainless steel housing Ø 4, aluminium 5 x 5 mm
- Sensing distance: 1 mm
- Power supply: 10 to 30 VDC
- Output: Transistor NPN/PNP, make or break switching
- Protection: Short-circuit, reverse polarity and overload
- LED-indication for output ON
- 2 m PUR cable or M8 plug

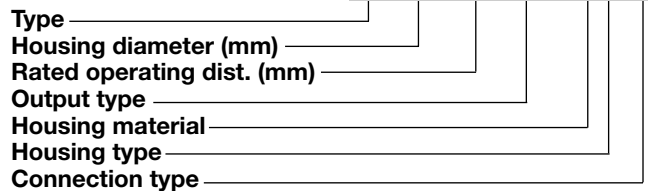
Product Description

Miniature inductive proximity sensor available as Ø 4 and 5 x 5 mm types. Output configuration for NPN/PNP with both NO and NC types as standard. Housing materials

are stainless steel for Ø 4 and aluminium for the 5 x 5 mm type. Cabled models utilise 2 meters of PUR cable and plug versions features a bright ring LED.

Ordering Key

EI 0401 PPO SS-5



Type Selection

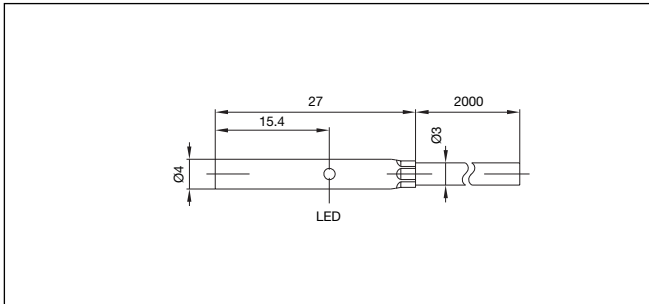
Housing diameter	Rated operating dist. (S _n)	Connection type	Ordering no. Transistor NPN Make switching	Ordering no. Transistor NPN Break switching	Ordering no. Transistor PNP Make switching	Ordering no. Transistor PNP Break switching
Ø 4 mm	0.8 mm ¹⁾	Cable	EI 0401 NPOSS	EI 0401 NPCSS	EI 0401 PPOSS	EI 0401 PPCSS
Ø 4 mm	0.8 mm ¹⁾	Plug	EI 0401 NPOSS-5	EI 0401 NPCSS-5	EI 0401 PPOSS-5	EI 0401 PPCSS-5
5 x 5 mm	0.8 mm ¹⁾	Cable	EI X501 NPOSS	EI X501 NPCSS	EI X501 PPOSS	EI X501 PPCSS
5 x 5 mm	0.8 mm ¹⁾	Plug	EI X501 NPOSS-5	EI X501 NPCSS-5	EI X501 PPOSS-5	EI X501 PPCSS-5

¹⁾ For flush mounting in metal

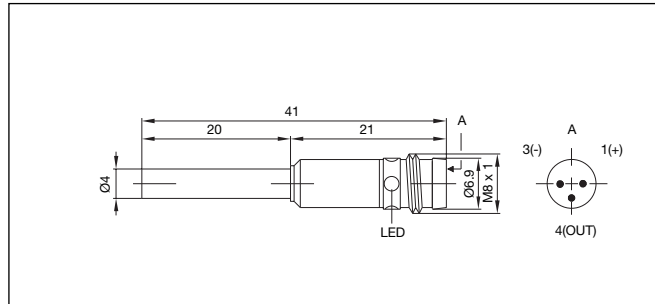
Specifications

Rated operational volt. (U_B)	10 to 30 VDC (ripple included)	Usable operating dist. (S_u)	0.85 x S _r ≤ S _u ≤ 1.15 x S _r
Ripple	≤ 10%	Ambient temperature	
Rated operational current (I_a)		Operating	-25° to +70°C (-13° to +158°F)
Continuous	≤ 150 mA @ + 25°C (+75°F)	Storage	-30° to +80°C (-22° to +176°F)
No-load supply current (I_o)	≤ 2.1 mA OFF: 1.5 mA ON: 10 mA	Degree of protection	Plug versions: IP 65 Cable versions: IP 67 (Nema 1, 3, 4, 6, 13)
Voltage drop (U_d)	< 1 V	Connection	
Protection	Reverse polarity, short-circuit, overload	Cable	2 m, 3 x 0.14 mm ² grey PUR, oil proof M8, CONH5A-xxx Serie
Transient voltage	≤ 1 kV/0.5 J (prepared)	Plug	
Power ON delay	Ca. 500 μs	Housing material	
Frequency of operating cycles (f)	1000 Hz	Body	Stainless steel (1.4301)
Indication for output ON	LED, yellow	Ø 4	Aluminium
Assured operating dist. (S_a)	0 to 0.52 mm	5 x 5 mm	Plastic
Repeat accuracy (R)	± 0.01 mm	Cap	
Hysteresis (H)		Weight	Cable versions: 25 g Plug versions: 4 g
(Differential travel)	3 to 15% of sensing distance	Tightening torque	1 Nm
Effective operating dist. (S)	0.9 x S _n ≤ S _r ≤ 1.1 x S _n	CE-marking	Yes

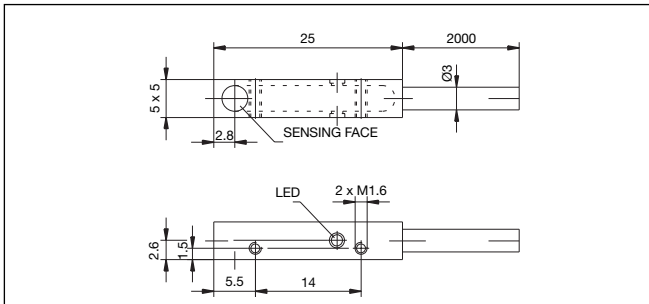
Dimensions



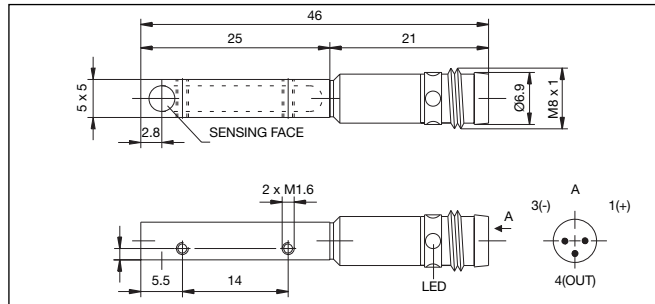
EI 0401 xPxSS



EI 0401 xPxSS-5

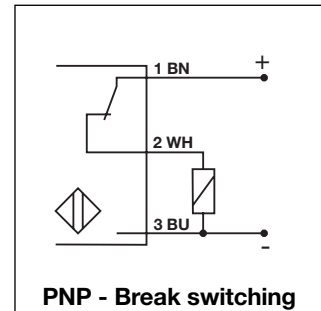
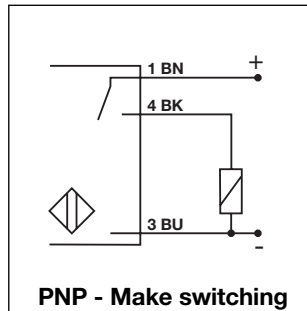
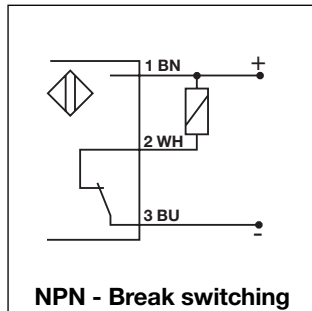
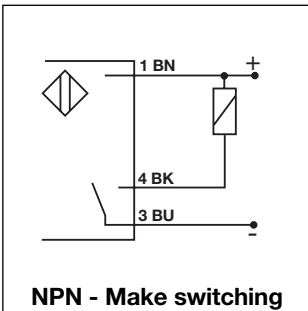


EI X501 xPxSS

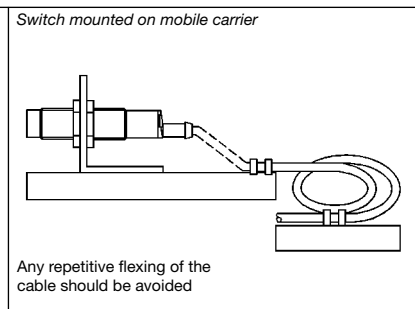
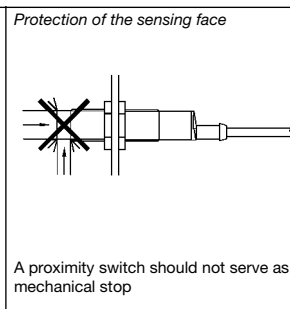
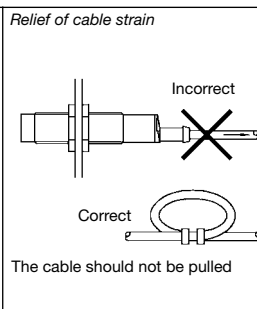
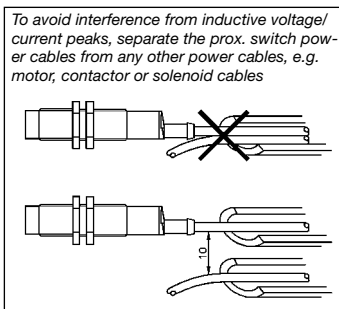


EI X501 xPxSS-5

Wiring Diagrams



Installation Hints



Power Supplies

Power supplies VDC: > SS 130/140.
Power supplies with amplifier relays: > SV 190.