

250MHz Differential Twisted-Pair Driver

The EL5176 is a high bandwidth amplifier with an output in differential form. It is primarily targeted for applications such as driving twisted-pair lines or any application where common mode injection is likely to occur. The input signal can be in either single-ended or differential form but the output is always in differential form.

On the EL5176, two feedback inputs provide the user with the ability to set the device gain (stable at minimum gain of one).

The output common mode level is set by the reference pin (REF), which has a -3dB bandwidth of over 50MHz. Generally, this pin is grounded but it can be tied to any voltage reference.

Both outputs (OUT+, OUT-) are short circuit protected to withstand temporary overload condition.

The EL5176 is available in the 10-pin MSOP package and is specified for operation over the full -40°C to +85°C temperature range.

See also EL5171 (EL5176 in 8-pin MSOP.)

Ordering Information

| PART NUMBER | PACKAGE | TAPE & REEL | PKG. DWG. # |
|-----------------------------|--------------------------|-------------|-------------|
| EL5176IY | 10-Pin MSOP | - | MDP0043 |
| EL5176IY-T7 | 10-Pin MSOP | 7" | MDP0043 |
| EL5176IY-T13 | 10-Pin MSOP | 13" | MDP0043 |
| EL5176IYZ (See Note) | 10-Pin MSOP (Pb-free) | - | MDP0043 |
| EL5176IYZ-T7 (See Note) | 10-Pin MSOP (Pb-free) | 7" | MDP0043 |
| EL5176IYZ-T13 (See Note) | 10-Pin MSOP (Pb-free) | 13" | MDP0043 |

NOTE: Intersil Pb-free plus anneal products employ special Pb-free material sets; molding compounds/die attach materials and 100% matte tin plate termination finish, which are RoHS compliant and compatible with both SnPb and Pb-free soldering operations. Intersil Pb-free products are MSL classified at Pb-free peak reflow temperatures that meet or exceed the Pb-free requirements of IPC/JEDEC J STD-020.

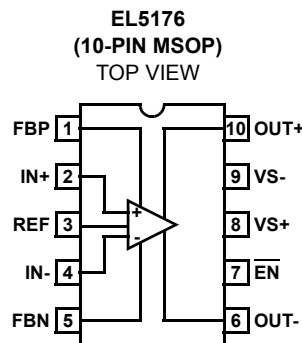
Features

- Fully differential inputs, outputs, and feedback
- Differential input range $\pm 2.3V$
- 250MHz 3dB bandwidth
- 800V/ μs slew rate
- Low distortion at 20MHz
- Single 5V or dual $\pm 5V$ supplies
- 40mA maximum output current
- Low power - 8mA typical supply current
- Pb-Free plus anneal available (RoHS compliant)

Applications

- Twisted-pair drivers
- Differential line drivers
- VGA over twisted-pair
- ADSL/HDSL drivers
- Single ended to differential amplification
- Transmission of analog signals in a noisy environment

Pinout



Absolute Maximum Ratings ($T_A = 25^\circ\text{C}$)

Supply Voltage (V_{S+} to V_{S-})12V
 Maximum Output Current $\pm 60\text{mA}$
 Storage Temperature Range -65°C to $+150^\circ\text{C}$

Operating Junction Temperature $+135^\circ\text{C}$
 Ambient Operating Temperature -40°C to $+85^\circ\text{C}$

CAUTION: Stresses above those listed in "Absolute Maximum Ratings" may cause permanent damage to the device. This is a stress only rating and operation of the device at these or any other conditions above those indicated in the operational sections of this specification is not implied.

IMPORTANT NOTE: All parameters having Min/Max specifications are guaranteed. Typ values are for information purposes only. Unless otherwise noted, all tests are at the specified temperature and are pulsed tests, therefore: $T_J = T_C = T_A$

Electrical Specifications $V_{S+} = +5\text{V}$, $V_{S-} = -5\text{V}$, $T_A = 25^\circ\text{C}$, $V_{IN} = 0\text{V}$, $R_{LD} = 1\text{k}\Omega$, $R_F = 0$, $R_G = \text{OPEN}$, $C_{LD} = 2.7\text{pF}$, Unless Otherwise Specified

| PARAMETER | DESCRIPTION | CONDITIONS | MIN | TYP | MAX | UNIT |
|------------------------------|---|--|-----------|-----------|-----------|------------------------------|
| AC PERFORMANCE | | | | | | |
| BW | -3dB Bandwidth | $A_V = 1$, $C_{LD} = 2.7\text{pF}$ | | 250 | | MHz |
| | | $A_V = 2$, $R_F = 500$, $C_{LD} = 2.7\text{pF}$ | | 60 | | MHz |
| | | $A_V = 10$, $R_F = 500$, $C_{LD} = 2.7\text{pF}$ | | 10 | | MHz |
| BW | $\pm 0.1\text{dB}$ Bandwidth | $A_V = 1$, $C_{LD} = 2.7\text{pF}$ | | 50 | | MHz |
| SR | Slew Rate - Rise | $V_{OUT} = 3V_{P-P}$, 20% to 80% | 600 | 800 | 1000 | $\text{V}/\mu\text{s}$ |
| | Slew Rate - Fall | $V_{OUT} = 3V_{P-P}$, 20% to 80% | 540 | 700 | 1000 | $\text{V}/\mu\text{s}$ |
| T_{STL} | Settling Time to 0.1% | $V_{OUT} = 2V_{P-P}$ | | 10 | | ns |
| T_{OVR} | Output Overdrive Recovery Time | | | 20 | | ns |
| GBWP | Gain Bandwidth Product | | | 100 | | MHz |
| V_{REFBW} (-3dB) | V_{REF} -3dB Bandwidth | $A_V = 1$, $C_{LD} = 2.7\text{pF}$ | | 50 | | MHz |
| V_{REFSR+} | V_{REF} Slew Rate - Rise | $V_{OUT} = 2V_{P-P}$, 20% to 80% | | 90 | | $\text{V}/\mu\text{s}$ |
| V_{REFSR-} | V_{REF} Slew Rate - Fall | $V_{OUT} = 2V_{P-P}$, 20% to 80% | | 50 | | $\text{V}/\mu\text{s}$ |
| V_N | Input Voltage Noise | at 10kHz | | 26 | | $\text{nV}/\sqrt{\text{Hz}}$ |
| I_N | Input Current Noise | at 10kHz | | 2 | | $\text{pA}/\sqrt{\text{Hz}}$ |
| HD2 | Second Harmonic Distortion | $V_{OUT} = 2V_{P-P}$, 5MHz | | -94 | | dBc |
| | | $V_{OUT} = 2V_{P-P}$, 20MHz | | -94 | | dBc |
| HD3 | Third Harmonic Distortion | $V_{OUT} = 2V_{P-P}$, 5MHz | | -77 | | dBc |
| | | $V_{OUT} = 2V_{P-P}$, 20MHz | | -75 | | dBc |
| dG | Differential Gain at 3.58MHz | $R_L = 300\Omega$, $A_V = 2$ | | 0.1 | | % |
| d θ | Differential Phase at 3.58MHz | $R_L = 300\Omega$, $A_V = 2$ | | 0.5 | | $^\circ$ |
| INPUT CHARACTERISTICS | | | | | | |
| V_{OS} | Input Referred Offset Voltage | | | ± 1.5 | ± 25 | mV |
| I_{IN} | Input Bias Current (V_{IN+} , V_{IN-}) | | -14 | -6 | -3 | μA |
| I_{REF} | Input Bias Current (V_{REF}) | | 0.5 | 1.3 | 4 | μA |
| R_{IN} | Differential Input Resistance | | | 300 | | $\text{k}\Omega$ |
| C_{IN} | Differential Input Capacitance | | | 1 | | pF |
| DMIR | Differential Mode Input Range | | ± 2.1 | ± 2.3 | ± 2.5 | V |
| CMIR+ | Common Mode Positive Input Range at V_{IN+} , V_{IN-} | | 3.1 | 3.4 | | V |
| CMIR- | Common Mode Negative Input Range at V_{IN+} , V_{IN-} | | | -4.5 | -4.2 | V |
| V_{REFIN+} | Positive Reference Input Voltage Range | $V_{IN+} = V_{IN-} = 0\text{V}$ | 3.5 | 3.8 | | V |
| V_{REFIN-} | Negative Reference Input Voltage Range | $V_{IN+} = V_{IN-} = 0\text{V}$ | | -3.3 | -3 | V |
| V_{REFOS} | Output Offset Relative to V_{REF} | | | ± 60 | ± 100 | mV |

EL5176

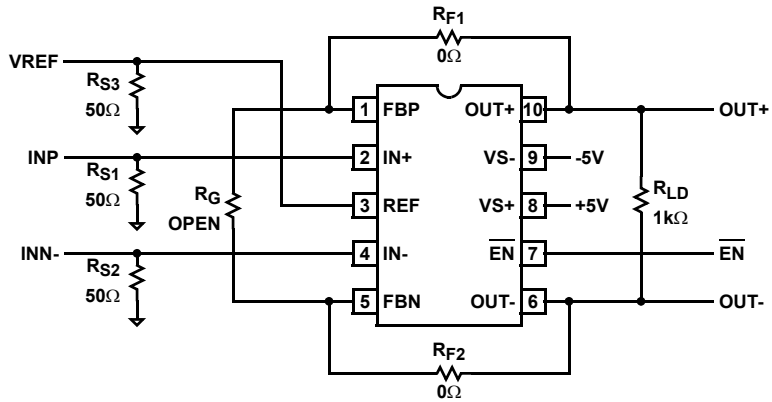
Electrical Specifications $V_{S+} = +5V$, $V_{S-} = -5V$, $T_A = 25^\circ C$, $V_{IN} = 0V$, $R_{LD} = 1k\Omega$, $R_F = 0$, $R_G = OPEN$, $C_{LD} = 2.7pF$, Unless Otherwise Specified **(Continued)**

| PARAMETER | DESCRIPTION | CONDITIONS | MIN | TYP | MAX | UNIT |
|-------------------------------|---|--|----------------|-------|----------------|-----------|
| CMRR | Input Common Mode Rejection Ratio | $V_{IN} = \pm 2.5V$ | 65 | 82 | | dB |
| Gain | Gain Accuracy | $V_{IN} = 1$ | 0.981 | 0.996 | 1.011 | V |
| OUTPUT CHARACTERISTICS | | | | | | |
| V_{OUT} | Positive Output Swing | $R_L = 500\Omega$ to GND | 3.6 | 3.9 | | V |
| | Negative Output Swing | | | -3.8 | -3.5 | V |
| $I_{OUT(Max)}$ | Maximum Source Output Current | $R_L = 10\Omega$, $V_{IN+} = 1.1V$, $V_{IN-} = -1.1V$, $V_{REF} = 0$ | 35 | 50 | | mA |
| | Maximum Sink Output Current | | | -40 | -30 | mA |
| R_{OUT} | Output Impedance | | | 130 | | $m\Omega$ |
| SUPPLY | | | | | | |
| V_{SUPPLY} | Supply Operating Range | V_{S+} to V_{S-} | 4.75 | | 11 | V |
| $I_{S(ON)}$ | Power Supply Current - Per Channel | | 6.8 | 7.5 | 8.2 | mA |
| $I_{S(OFF)+}$ | Positive Power Supply Current - Disabled | \overline{EN} pin tied to 4.8V | | 80 | 120 | μA |
| $I_{S(OFF)-}$ | Negative Power Supply Current - Disabled | | | -200 | -120 | μA |
| PSRR | Power Supply Rejection Ratio | V_S from $\pm 4.5V$ to $\pm 5.5V$ | 70 | 84 | | dB |
| ENABLE | | | | | | |
| t_{EN} | Enable Time | | | 215 | | ns |
| t_{DS} | Disable Time | | | 0.95 | | μs |
| V_{IH} | \overline{EN} Pin Voltage for Power-Up | | | | $V_{S+} - 1.5$ | V |
| V_{IL} | \overline{EN} Pin Voltage for Shut-Down | | $V_{S+} - 0.5$ | | | V |
| I_{IH-EN} | \overline{EN} Pin Input Current High | At $V_{EN} = 5V$ | | 40 | 60 | μA |
| I_{IL-EN} | \overline{EN} Pin Input Current Low | At $V_{EN} = 0V$ | -6 | -2.5 | | μA |

Pin Descriptions

| PIN NUMBER | PIN NAME | PIN DESCRIPTION |
|------------|-----------------|--|
| 1 | FBP | Non-inverting feedback input; resistor R_{F1} must be connected from this pin to V_{OUT} |
| 2 | IN+ | Non-inverting input |
| 3 | REF | Output common-mode control; the common-mode voltage of V_{OUT} will follow the voltage on this pin |
| 4 | IN- | Inverting input |
| 5 | FBN | Inverting feedback input; resistor R_{F2} must be connected from this pin to V_{OUT} |
| 6 | OUT- | Inverting output |
| 7 | \overline{EN} | Enabled when this pin is floating or the applied voltage $\leq V_{S+} - 1.5$ |
| 8 | VS+ | Positive supply |
| 9 | VS- | Negative supply |
| 10 | OUT+ | Non-inverting output |

Connection Diagram



Typical Performance Curves

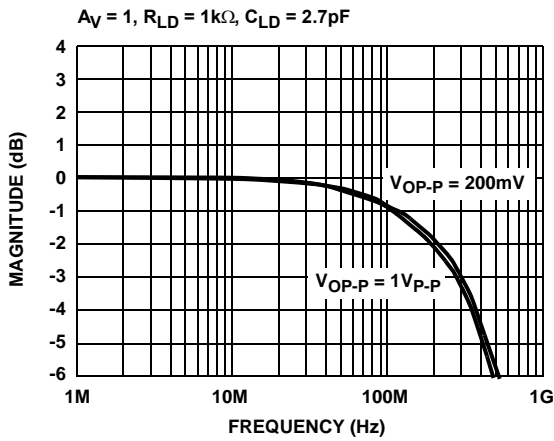


FIGURE 1. FREQUENCY RESPONSE

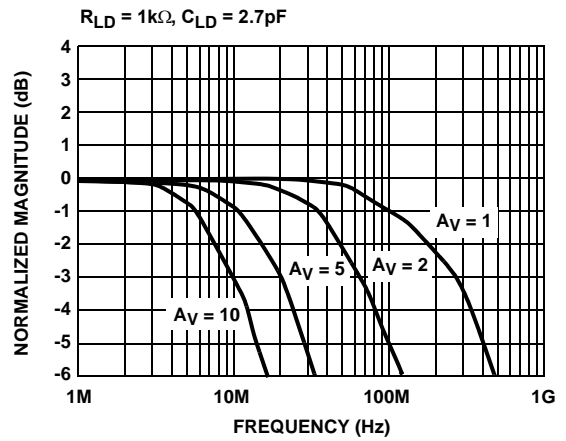


FIGURE 2. FREQUENCY RESPONSE FOR VARIOUS GAIN

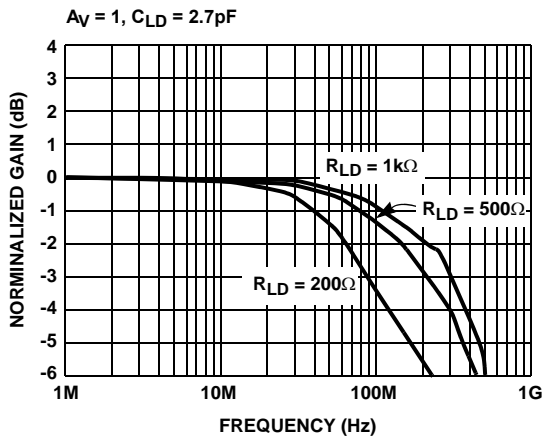


FIGURE 3. FREQUENCY RESPONSE vs R_{LD}

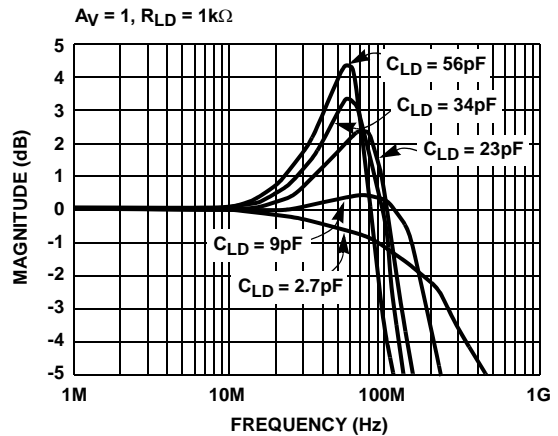


FIGURE 4. FREQUENCY RESPONSE vs C_{LD}

Typical Performance Curves (Continued)

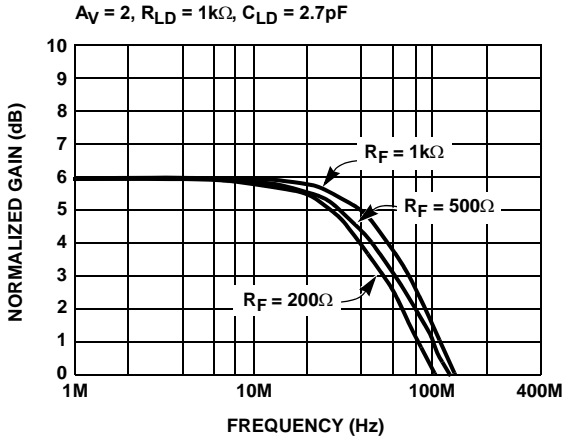


FIGURE 5. FREQUENCY RESPONSE

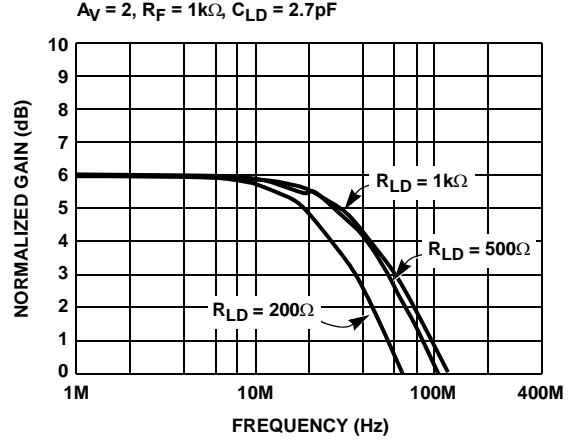


FIGURE 6. FREQUENCY RESPONSE vs R_{LD}

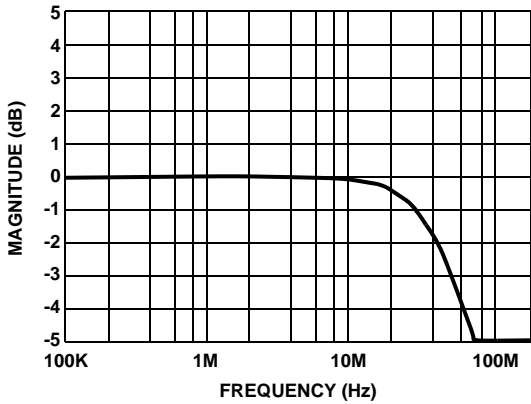


FIGURE 7. FREQUENCY RESPONSE - V_{REF}

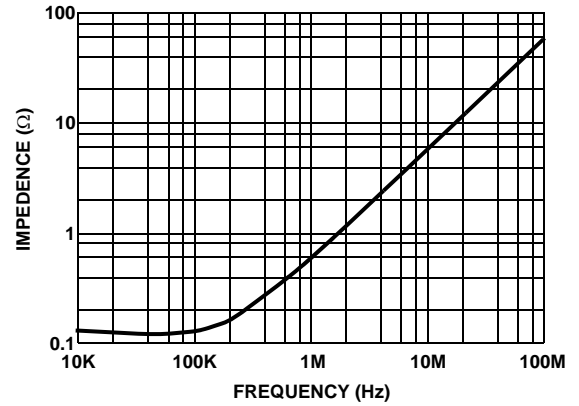


FIGURE 8. OUTPUT IMPEDANCE vs FREQUENCY

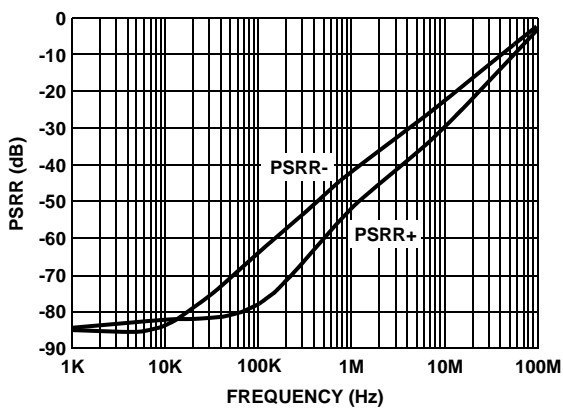


FIGURE 9. PSRR vs FREQUENCY

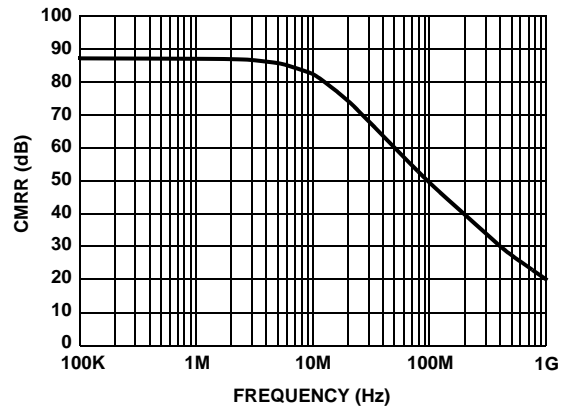


FIGURE 10. CMRR vs FREQUENCY

Typical Performance Curves (Continued)

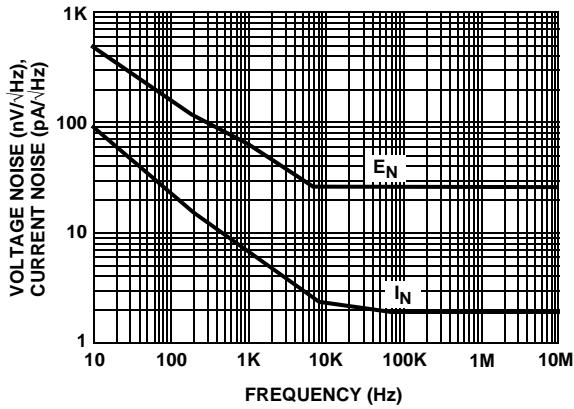


FIGURE 11. VOLTAGE AND CURRENT NOISE vs FREQUENCY

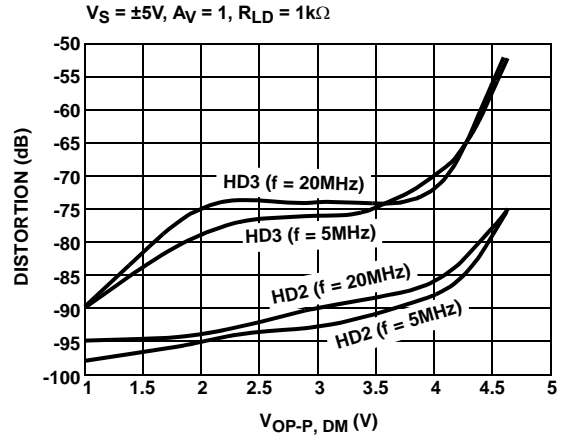


FIGURE 12. HARMONIC DISTORTION vs DIFFERENTIAL OUTPUT VOLTAGE

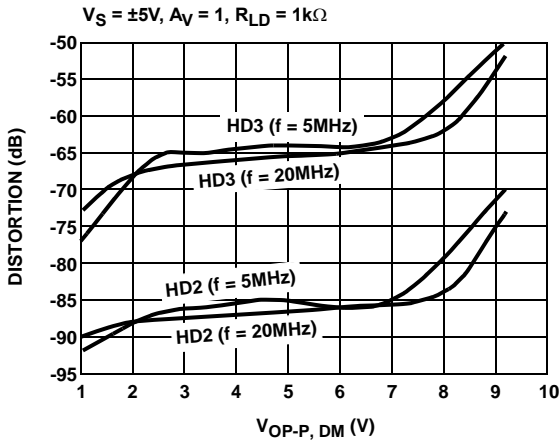


FIGURE 13. HARMONIC DISTORTION vs DIFFERENTIAL OUTPUT VOLTAGE

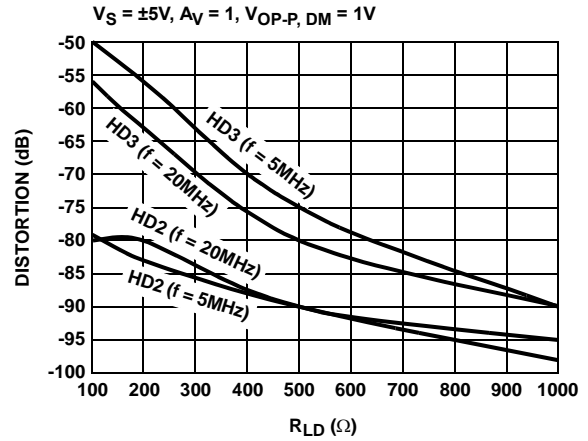


FIGURE 14. HARMONIC DISTORTION vs R_{LD}

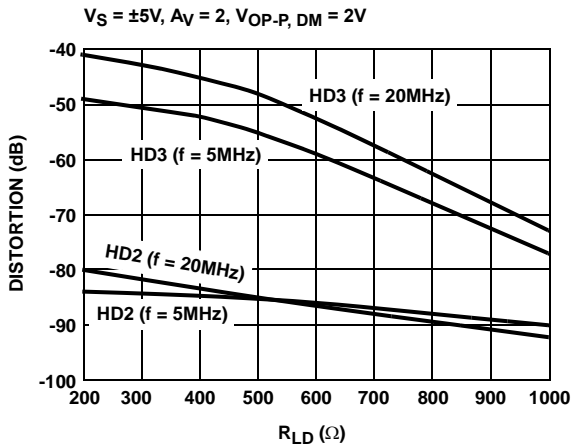


FIGURE 15. HARMONIC DISTORTION vs R_{LD}

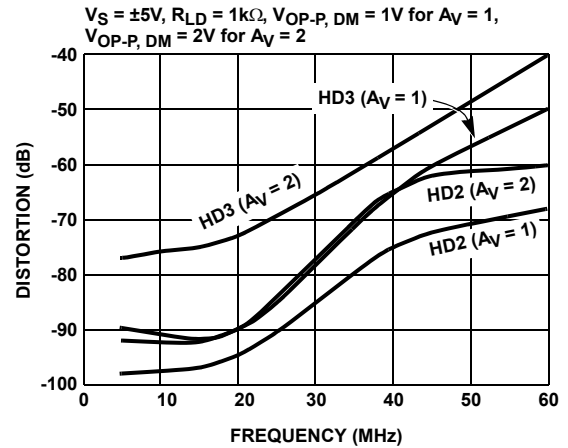


FIGURE 16. HARMONIC DISTORTION vs FREQUENCY

Typical Performance Curves (Continued)

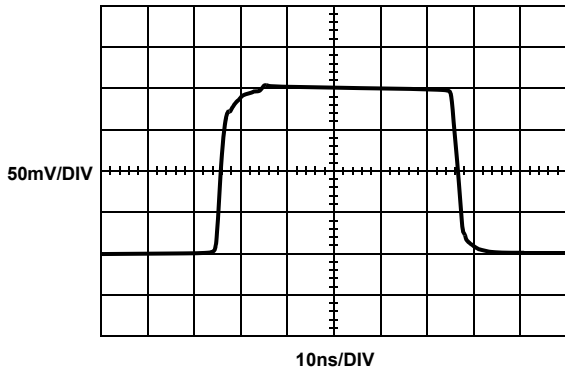


FIGURE 17. SMALL SIGNAL TRANSIENT RESPONSE

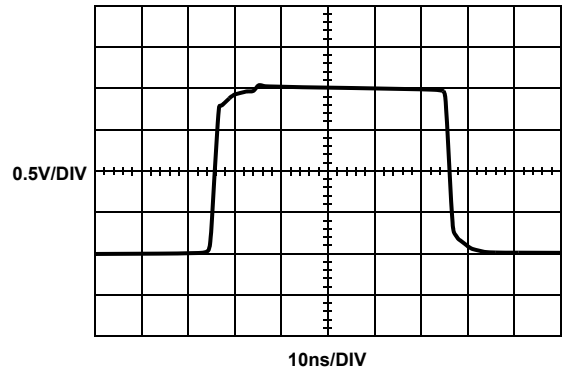


FIGURE 18. LARGE SIGNAL TRANSIENT RESPONSE

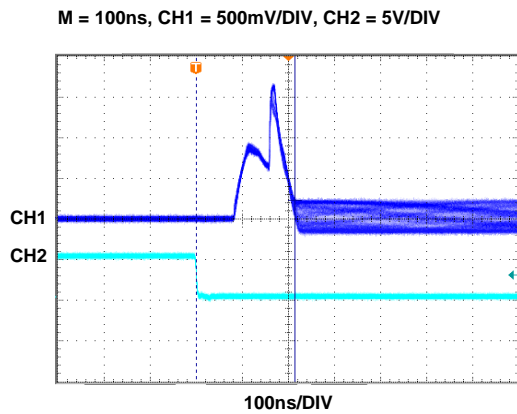


FIGURE 19. ENABLED RESPONSE

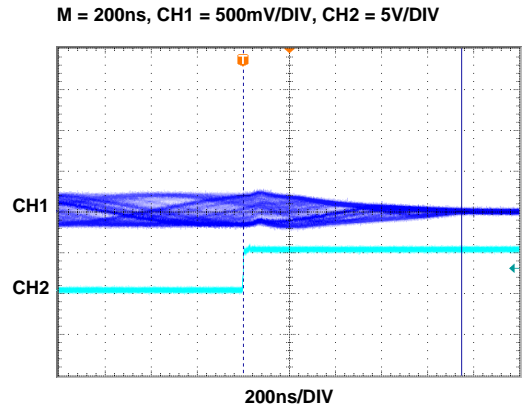


FIGURE 20. DISABLED RESPONSE

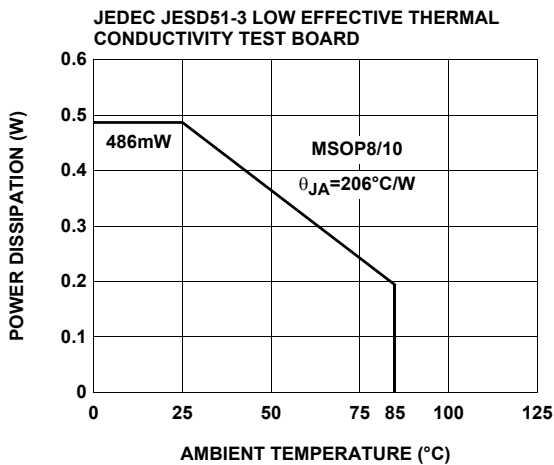


FIGURE 21. PACKAGE POWER DISSIPATION vs AMBIENT TEMPERATURE

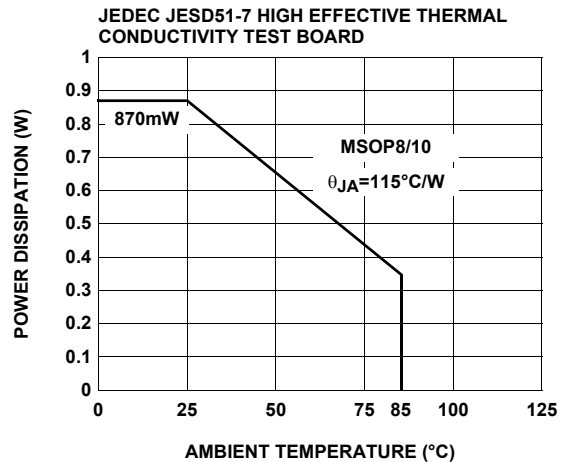
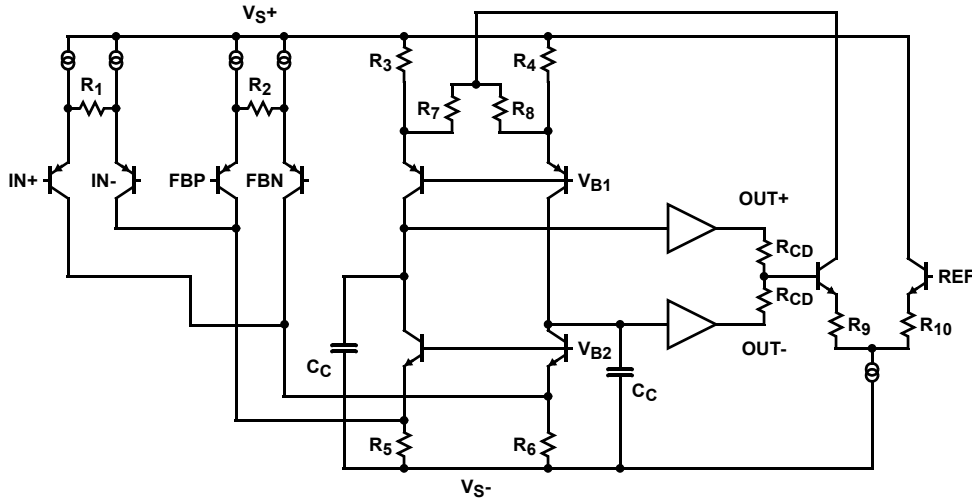


FIGURE 22. PACKAGE POWER DISSIPATION vs AMBIENT TEMPERATURE

Simplified Schematic



Description of Operation and Application Information

Product Description

The EL5176 is a wide bandwidth, low power and single/differential ended to differential output amplifier. It can be used as single/differential ended to differential converter. The EL5176 is internally compensated for closed loop gain of +1 of greater. Connected in gain of 1 and driving a 1kΩ differential load, the EL5176 has a -3dB bandwidth of 250MHz. Driving a 200Ω differential load at gain of 2, the bandwidth is about 30MHz. The EL5176 is available with a power down feature to reduce the power while the amplifier is disabled.

Input, Output, and Supply Voltage Range

The EL5176 has been designed to operate with a single supply voltage of 5V to 10V or a split supplies with its total voltage from 5V to 10V. The amplifier has an input common mode voltage range from -4.5V to 3.4V for ±5V supply. The differential mode input range (DMIR) between the two inputs is from -2.3V to +2.3V. The input voltage range at the REF pin is from -3.3V to 3.8V. If the input common mode or differential mode signal is outside the above-specified ranges, it will cause the output signal distorted.

The output of the EL5176 can swing from -3.8V to +3.9V at 1kΩ differential load at ±5V supply. As the load resistance becomes lower, the output swing is reduced.

Differential and Common Mode Gain Settings

The voltage applied at REF pin can set the output common mode voltage and the gain is one. The differential gain is set by the R_F and R_G network.

The gain setting for EL5176 is:

$$V_{ODM} = V_{IN+} \times \left(1 + \frac{R_{F1} + R_{F2}}{R_G} \right)$$

$$V_{ODM} = (V_{IN+} - V_{IN-}) \times \left(1 + \frac{2R_F}{R_G} \right)$$

$$V_{OCM} = V_{REF}$$

Where:

- $R_{F1} = R_{F2} = R_F$

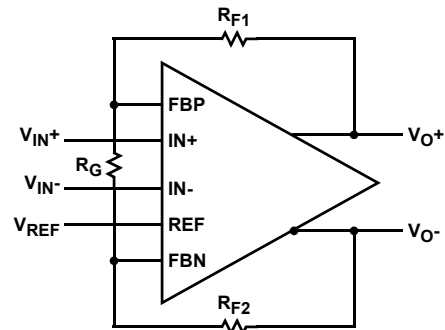


FIGURE 23.

Choice of Feedback Resistor and Gain Bandwidth Product

For applications that require a gain of +1, no feedback resistor is required. Just short the OUT+ pin to FBP pin and OUT- pin to FBN pin. For gains greater than +1, the feedback resistor forms a pole with the parasitic capacitance at the inverting input. As this pole becomes smaller, the amplifier's phase margin is reduced. This causes ringing in the time domain and peaking in the frequency domain. Therefore, R_F has some maximum value that should not be exceeded for optimum performance. If a large value of R_F must be used, a small capacitor in the few Pico farad range

in parallel with R_F can help to reduce the ringing and peaking at the expense of reducing the bandwidth.

The bandwidth of the EL5176 depends on the load and the feedback network. R_F and R_G appear in parallel with the load for gains other than +1. As this combination gets smaller, the bandwidth falls off. Consequently, R_F also has a minimum value that should not be exceeded for optimum bandwidth performance. For gain of +1, $R_F = 0$ is optimum. For the gains other than +1, optimum response is obtained with R_F between 500Ω to $1k\Omega$.

The EL5176 has a gain bandwidth product of 100MHz for $R_{LD} = 1k\Omega$. For gains ≥ 5 , its bandwidth can be predicted by the following equation:

$$\text{Gain} \times \text{BW} = 100\text{MHz}$$

Driving Capacitive Loads and Cables

The EL5176 can drive 50pF differential capacitor in parallel with $1k\Omega$ differential load with less than 5dB of peaking at gain of +1. If less peaking is desired in applications, a small series resistor (usually between 5Ω to 50Ω) can be placed in series with each output to eliminate most peaking. However, this will reduce the gain slightly. If the gain setting is greater than 1, the gain resistor R_G can then be chosen to make up for any gain loss which may be created by the additional series resistor at the output.

When used as a cable driver, double termination is always recommended for reflection-free performance. For those applications, a back-termination series resistor at the amplifier's output will isolate the amplifier from the cable and allow extensive capacitive drive. However, other applications may have high capacitive loads without a back-termination resistor. Again, a small series resistor at the output can help to reduce peaking.

Disable/Power-Down

The EL5176 can be disabled and placed its outputs in a high impedance state. The turn off time is about $0.95\mu\text{s}$ and the turn on time is about 215ns. When disabled, the amplifier's supply current is reduced to $1.7\mu\text{A}$ for I_{S+} and $120\mu\text{A}$ for I_{S-} typically, thereby effectively eliminating the power consumption. The amplifier's power down can be controlled by standard CMOS signal levels at the ENABLE pin. The applied logic signal is relative to V_{S+} pin. Letting the $\overline{\text{EN}}$ pin float or applying a signal that is less than 1.5V below V_{S+} will enable the amplifier. The amplifier will be disabled when the signal at $\overline{\text{EN}}$ pin is above $V_{S+} - 0.5\text{V}$.

Output Drive Capability

The EL5176 has internal short circuit protection. Its typical short circuit current is $\pm 40\text{mA}$ for EL5176. If the output is shorted indefinitely, the power dissipation could easily increase such that the part will be destroyed. Maximum reliability is maintained if the output current never exceeds

$\pm 40\text{mA}$. This limit is set by the design of the internal metal interconnect.

Power Dissipation

With the high output drive capability of the EL5176. It is possible to exceed the 135°C absolute maximum junction temperature under certain load current conditions. Therefore, it is important to calculate the maximum junction temperature for the application to determine if the load conditions or package types need to be modified for the amplifier to remain in the safe operating area.

The maximum power dissipation allowed in a package is determined according to:

$$PD_{\text{MAX}} = \frac{T_{\text{JMAX}} - T_{\text{AMAX}}}{\theta_{\text{JA}}}$$

Where:

- T_{JMAX} = Maximum junction temperature
- T_{AMAX} = Maximum ambient temperature
- θ_{JA} = Thermal resistance of the package

The maximum power dissipation actually produced by an IC is the total quiescent supply current times the total power supply voltage, plus the power in the IC due to the load, or:

$$PD = V_S \times I_{\text{SMAX}} + V_S \times \frac{\Delta V_O}{R_{LD}}$$

Where:

- V_S = Total supply voltage
- I_{SMAX} = Maximum quiescent supply current per channel
- ΔV_O = Maximum differential output voltage of the application
- R_{LD} = Differential load resistance
- I_{LOAD} = Load current

By setting the two PD_{MAX} equations equal to each other, we can solve the output current and R_{LD} to avoid the device overheat.

Power Supply Bypassing and Printed Circuit Board Layout

As with any high frequency device, a good printed circuit board layout is necessary for optimum performance. Lead lengths should be as short as possible. The power supply pin must be well bypassed to reduce the risk of oscillation. For normal single supply operation, where the V_{S-} pin is connected to the ground plane, a single $4.7\mu\text{F}$ tantalum capacitor in parallel with a $0.1\mu\text{F}$ ceramic capacitor from V_{S+} to GND will suffice. This same capacitor combination should be placed at each supply pin to ground if split supplies are to be used. In this case, the V_{S-} pin becomes the negative supply rail.

For good AC performance, parasitic capacitance should be kept to minimum. Use of wire wound resistors should be avoided because of their additional series inductance. Use of sockets should also be avoided if possible. Sockets add parasitic inductance and capacitance that can result in

compromised performance. Minimizing parasitic capacitance at the amplifier's inverting input pin is very important. The feedback resistor should be placed very close to the inverting input pin. Strip line design techniques are recommended for the signal traces.

Typical Applications

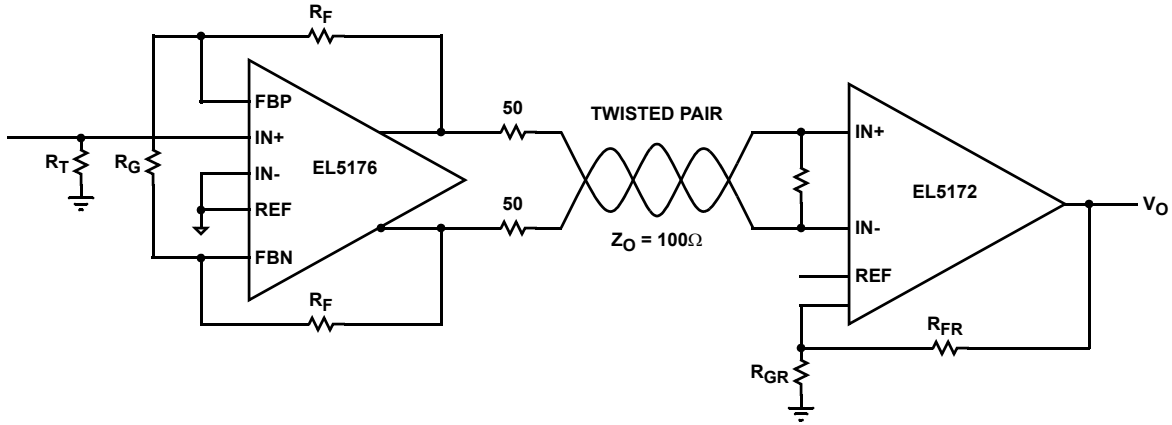
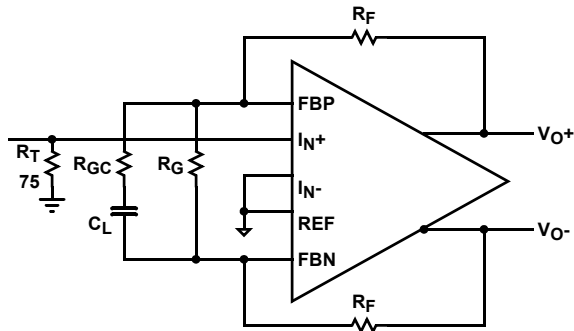


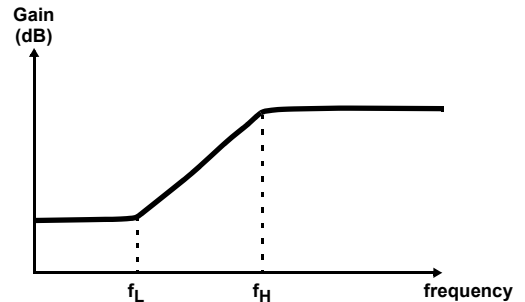
FIGURE 24. TWISTED PAIR CABLE RECEIVER

As the signal is transmitted through a cable, the high frequency signal will be attenuated. One way to compensate this loss is to boost the high frequency gain at the receiver side.



$$\text{DC Gain} = 1 + \frac{2R_F}{R_G}$$

$$\text{(HF)Gain} = 1 + \frac{2R_F}{R_G \parallel R_{GC}}$$

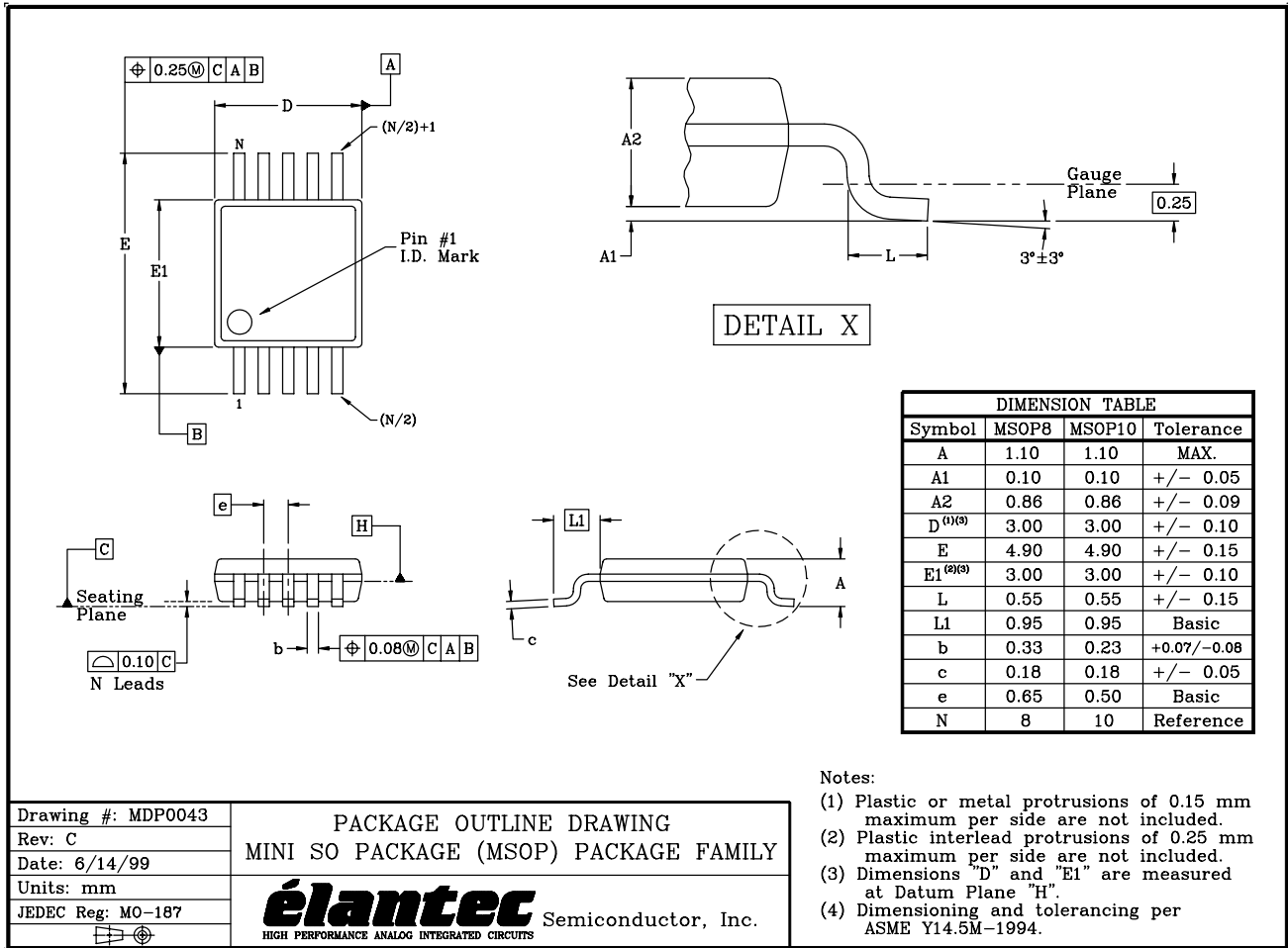


$$f_L \cong \frac{1}{2\pi R_G C_C}$$

$$f_H \cong \frac{1}{2\pi R_{GC} C_C}$$

FIGURE 25. TRANSMIT EQUALIZER

MSOP Package Outline Drawing



| | |
|--------------------|--|
| Drawing #: MDP0043 | PACKAGE OUTLINE DRAWING MINI SO PACKAGE (MSOP) PACKAGE FAMILY  Semiconductor, Inc. <small>HIGH PERFORMANCE ANALOG INTEGRATED CIRCUITS</small> |
| Rev: C | |
| Date: 6/14/99 | |
| Units: mm | |
| JEDEC Reg: MO-187 | |

NOTE: The package drawing shown here may not be the latest version. To check the latest revision, please refer to the Intersil website at <http://www.intersil.com/design/packages/index.asp>

All Intersil U.S. products are manufactured, assembled and tested utilizing ISO9000 quality systems. Intersil Corporation's quality certifications can be viewed at www.intersil.com/design/quality

Intersil products are sold by description only. Intersil Corporation reserves the right to make changes in circuit design, software and/or specifications at any time without notice. Accordingly, the reader is cautioned to verify that data sheets are current before placing orders. Information furnished by Intersil is believed to be accurate and reliable. However, no responsibility is assumed by Intersil or its subsidiaries for its use; nor for any infringements of patents or other rights of third parties which may result from its use. No license is granted by implication or otherwise under any patent or patent rights of Intersil or its subsidiaries.

For information regarding Intersil Corporation and its products, see www.intersil.com