

## EPZ3034E



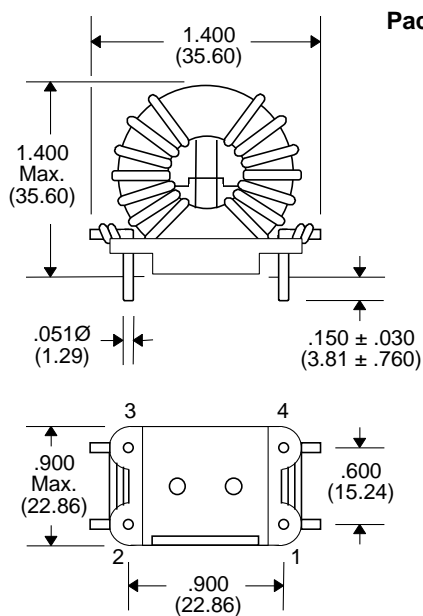
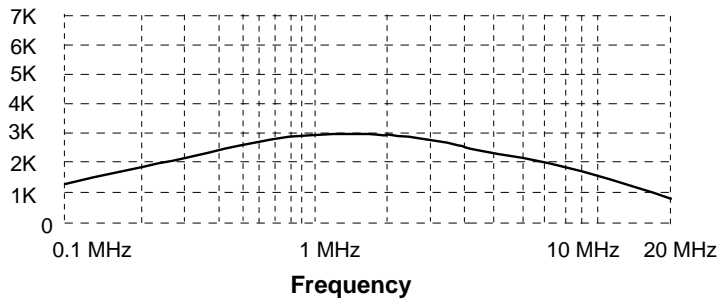
- Used in DC/DC Converters
- Class 130 Insulating System
- 100-300 KHz Switching Frequency
- UL 94V-0 Recognized Components
- UL 1446 Class B Insulation System
- 100-300 KHz Switching Frequency
- Operating Temperature : -40°C to +85°C

### Electrical Parameters @ 25° C

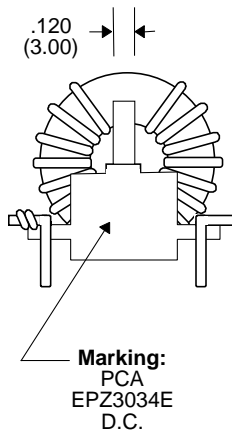
Inductance (mH Min.)	Current Rating (Amps)	Leakage Inductance ( $\mu$ H Max.)	DCR ( Max.)	SRF (MHz Typ.)
@10 KHz, 0.1 Vrms		@ 100 KHz, 0.1 Vrms		
2.2	5.0	35	.04	2

• Isolation : 1250 Vrms •

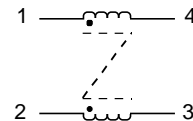
### Impedance Curve



### Package



### Schematic



**Marking:**  
PCA  
EPZ3034E  
D.C.

Unless Otherwise Specified Dimensions are in Inches /mm  $\pm$  .010 / .25