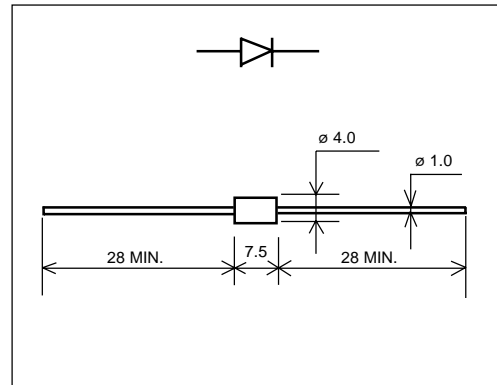


# ERC04(F) (1.5A)

(200V to 400V / 1.5A)

## GENERAL USE RECTIFIER DIODE

### ■ Outline drawings, mm



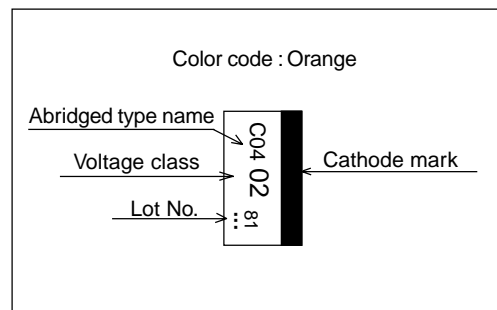
### ■ Features

- Compact size, light weight
- High reliability

### ■ Applications

- General purpose rectifier applications

### ■ Marking



### ■ Maximum ratings and characteristics

- Absolute maximum ratings

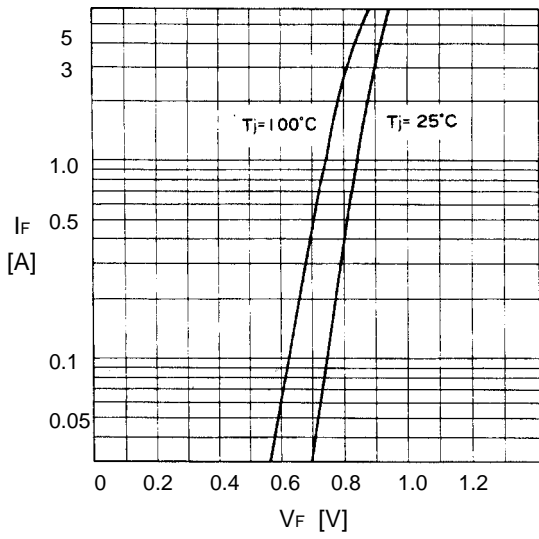
Item	Symbol	Conditions	Rating		Unit
			-02F	-04F	
Repetitive peak reverse voltage	$V_{RRM}$		200	400	V
Average forward current	$I_{F(AV)}$	Resistive load $T_a=40^{\circ}\text{C}$	1.5		A
Surge current	$I_{FSM}$	Sine wave 10ms	100		A
Operating junction temperature	$T_j$		-40 to +140		$^{\circ}\text{C}$
Storage temperature	$T_{stg}$		-40 to +140		$^{\circ}\text{C}$

- Electrical characteristics ( $T_a=25^{\circ}\text{C}$  Unless otherwise specified)

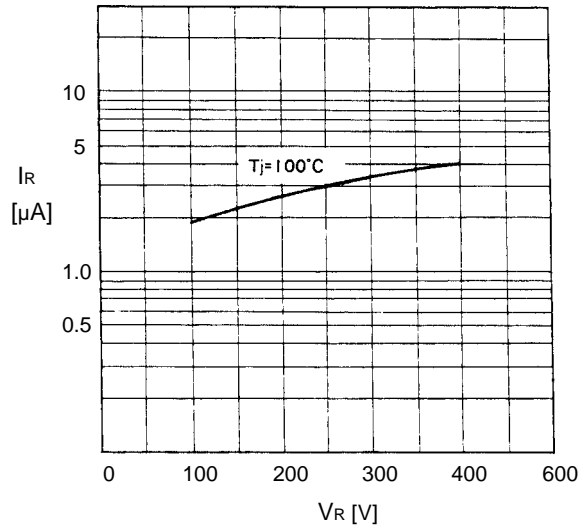
Item	Symbol	Conditions	Max.	Unit
Forward voltage drop	$V_{FM}$	$T_j=25^{\circ}\text{C}$ $I_{FM}=4.0\text{A}$	1.1	V
Reverse current	$I_{RRM}$	$T_j=25^{\circ}\text{C}$ $V_R=V_{RRM}$	10	$\mu\text{A}$

■ Characteristics

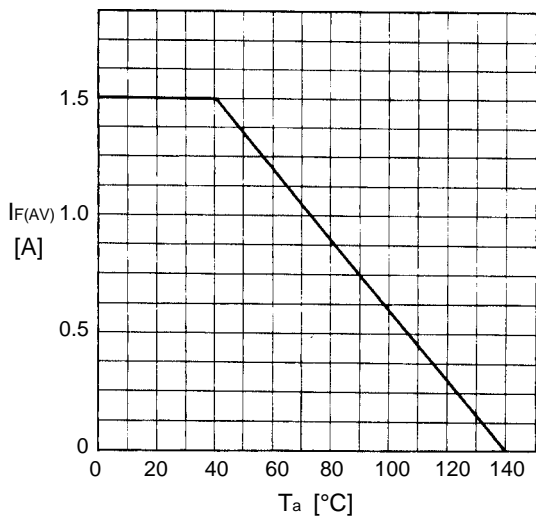
Forward characteristics



Reverse characteristics



Current derating ( $I_{F(AV)}-T_a$ )



Surge capability

