



Micro Commercial Components

Micro Commercial Components
 20736 Marilla Street Chatsworth
 CA 91311
 Phone: (818) 701-4933
 Fax: (818) 701-4939

ESDB101 THRU ESDB103

Features

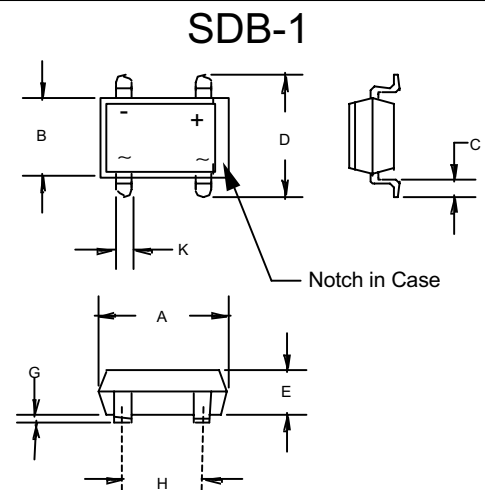
- Surface Mount Package
- Glass Passivated Diode Construction
- Case Material: Molded Plastic. UL Flammability Classification Rating 94V-0
- UL Recognized File # E165989

Maximum Ratings

- Operating Temperature: -55°C to +150°C
- Storage Temperature: -55°C to +150°C

MCC Catalog Number	Device Marking	Maximum Recurrent Peak Reverse Voltage	Maximum RMS Voltage	Maximum DC Blocking Voltage
ESDB101	ESDB101	50V	35V	50V
ESDB102	ESDB102	100V	70V	100V
ESDB103	ESDB103	200V	140V	200V

1 Amp Single Phase Fast Recovery Bridge Rectifier 50 to 200 Volts

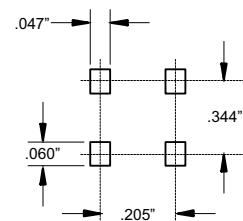


Electrical Characteristics @ 25°C Unless Otherwise Specified

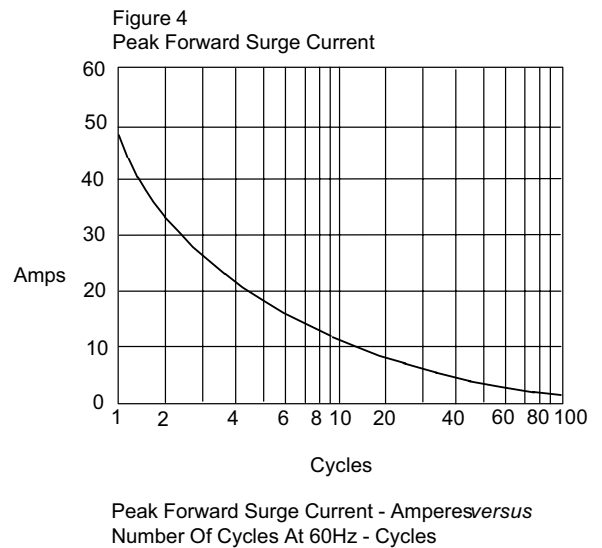
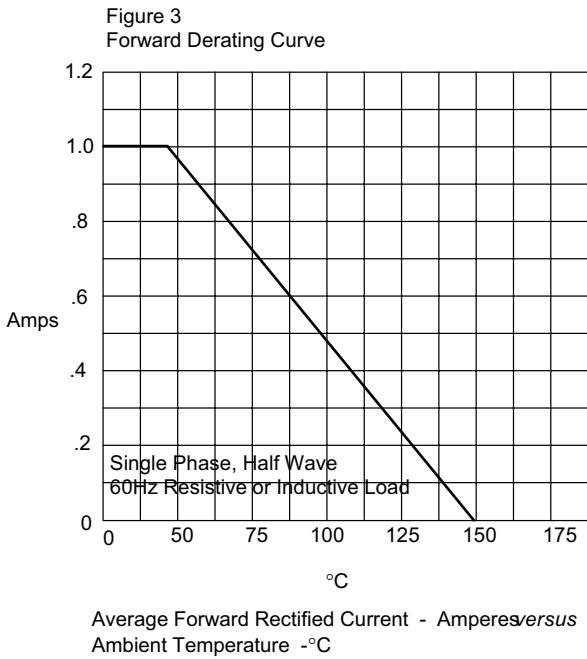
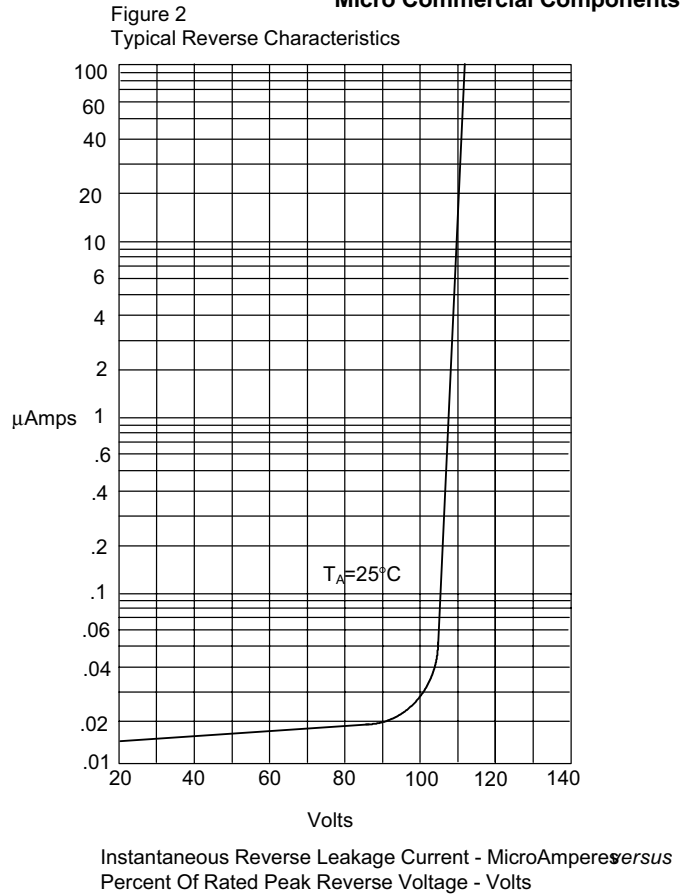
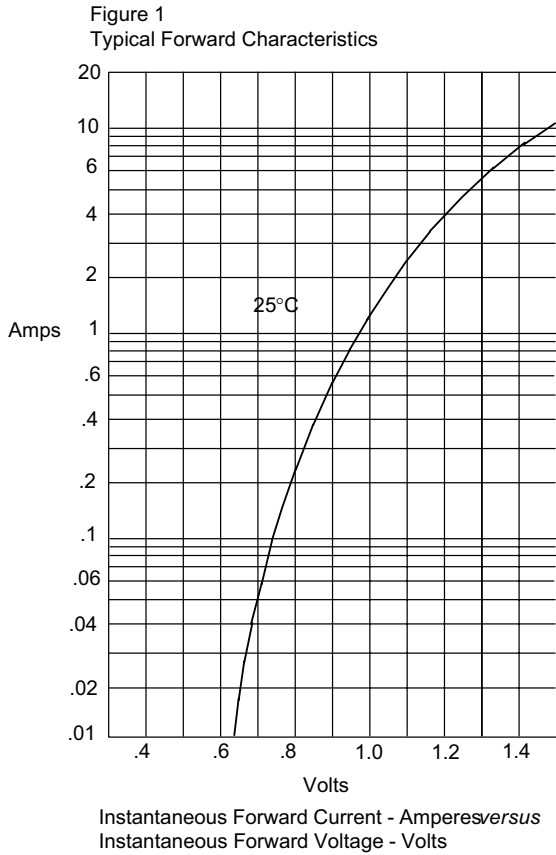
Average Forward Current	$I_{F(AV)}$	1A	$T_A = 40^\circ\text{C}$
Peak Forward Surge Current	I_{FSM}	50A	8.3ms, half sine
Maximum Instantaneous Forward Voltage	V_F	1.05V	$I_{FM} = 1.0\text{A}; T_A = 25^\circ\text{C}$
Maximum DC Reverse Current At Rated DC Blocking Voltage	I_R	10 μA	$T_A = 25^\circ\text{C}$
		1mA	$T_A = 125^\circ\text{C}$
Typical Junction Capacitance	C_J	25pF	Measured at 1.0MHz, $V_R = 4.0\text{V}$
Rating For Fusing	I^2t	10A ² s	$t < 8.3\text{ms}$
Max. Reverse Recovery Time Per Diode	T_{rr}	50 ns	$I_F = 0.5\text{A}, I_R = 1.0\text{A}, I_{rr} = 0.25\text{A}$

DIM	DIMENSIONS				NOTE
	INCHES		MM		
A	.316	.335	8.05	8.51	
B	.245	.255	6.20	6.50	
C	.040	.060	1.02	1.52	
D	.360	.410	9.40	10.4	
E	.102	.125	2.60	3.2	
G	.003	.013	.076	.330	
H	.195	.205	5.00	5.20	
K	.038	.042	1.00	1.10	

Suggested Solder Pad Layout



ESDB101 thru ESDB103





Micro Commercial Components

*****IMPORTANT NOTICE*****

Micro Commercial Components Corp. reserves the right to make changes without further notice to any product herein to make corrections, modifications, enhancements, improvements, or other changes. *Micro Commercial Components Corp.* does not assume any liability arising out of the application or use of any product described herein; neither does it convey any license under its patent rights, nor the rights of others. The user of products in such applications shall assume all risks of such use and will agree to hold *Micro Commercial Components Corp.* and all the companies whose products are represented on our website, harmless against all damages.

*****APPLICATIONS DISCLAIMER*****

Products offer by *Micro Commercial Components Corp.* are not intended for use in Medical, Aerospace or Military Applications.