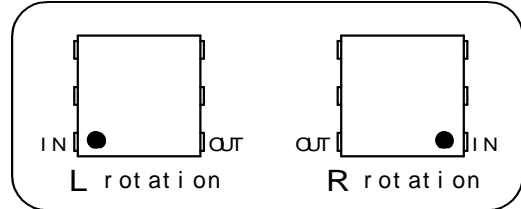


5mm SQUARE THIN TYPE ISOLATOR

MODEL ESI-5 [] 1.842 G - T

- (1) 5mm Square Lumped Element Isolator
- (2) Rotating Direction (R or L)
- (3) Center Frequency
- (4) G ; GHz
- (5) T ; Taping
Blank ; Bulk



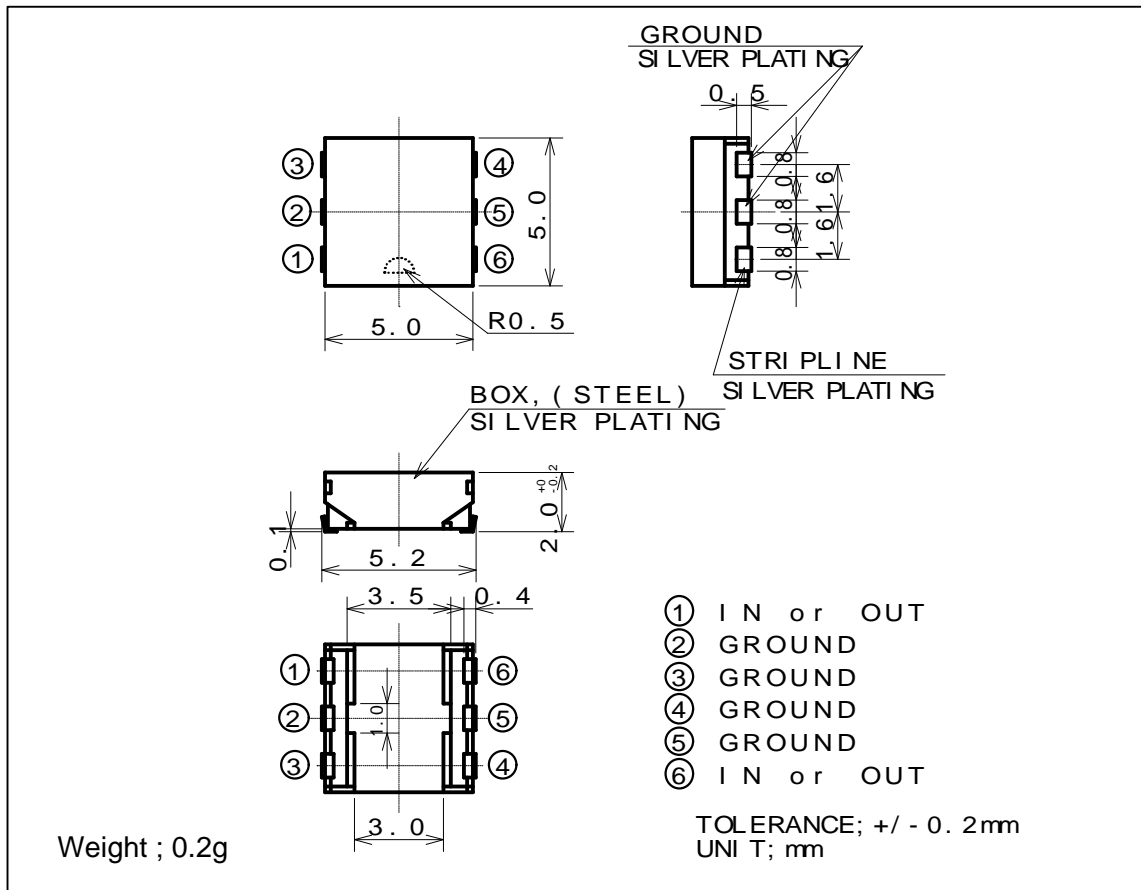
Specification

Frequency (GHz)	Ins. Loss Max. (dB)	Isolation Min. (dB)	V.S.W.R. Max.	2f Min. (dB)	3f Min. (dB)	Handling Power Max. (W)	Reflection Power Max. (W)
1.805-1.880	0.60	15	1.5	8	15	5.0	1.0

Operating Temperature(deg.C) ; -35 to +85
Impedance ; 50 ohms Typ.

Applicable to Pb free reflow soldering

Shape & Size



TAE968