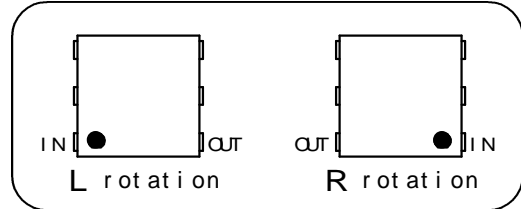


5mm SQUARE THIN TYPE ISOLATOR

MODEL ESI-5 [] 2.017 G - T

- (1) 5mm Square Lumped Element Isolator
 (2) Rotating Direction (R or L)
 (3) Center Frequency
 (4) G ; GHz
 (5) T ; Taping
 Blank ; Bulk

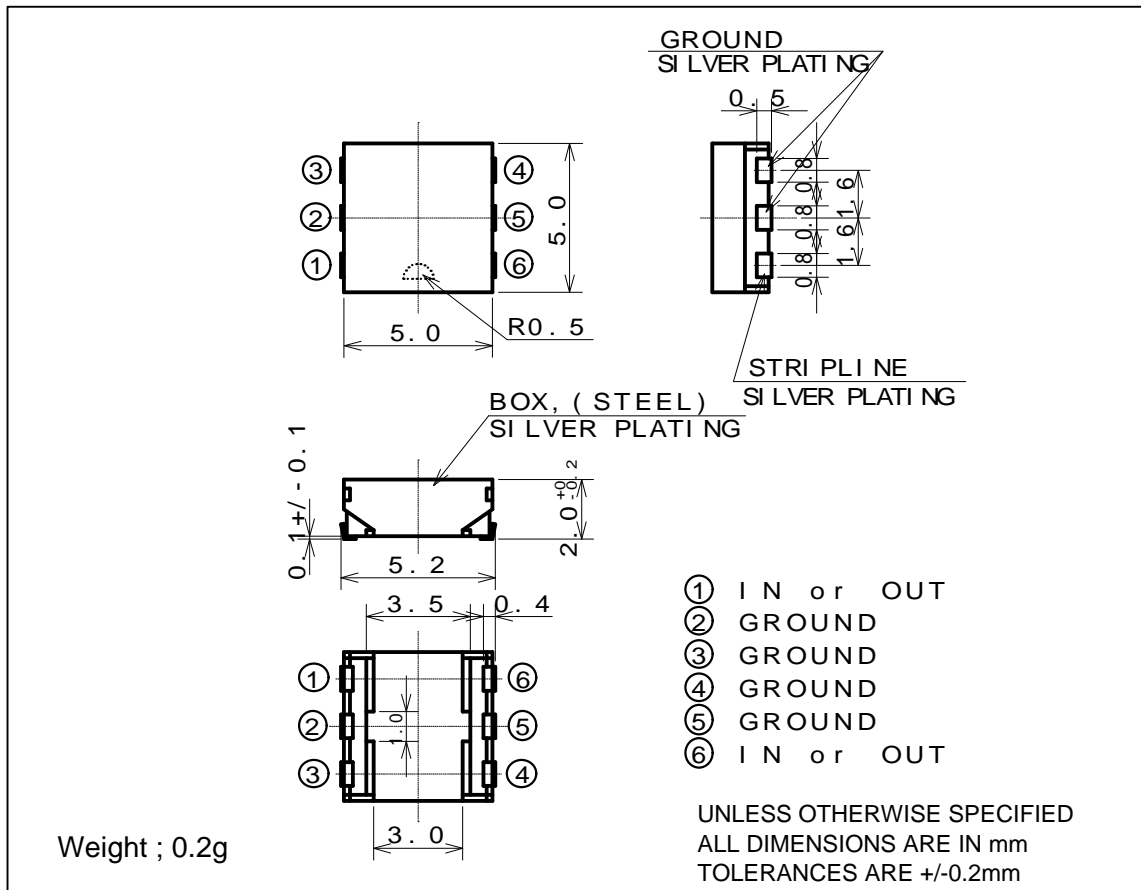


Specification

Frequency (GHz)	Ins. Loss Max. (dB)	Isolation Min. (dB)	V.S.W.R. Max.	Attenuation		Handling Power Max. (W)	Reflection Power Max. (W)
				at 2f Min. (dB)	at 3f Min. (dB)		
2.010-2.025	0.60	15	1.5	6	-	5.0	1.0

Operating Temperature(deg.C) ; -35 to +85
 Impedance ; 50 ohms Typ.

Shape & Size



TAE965

