

6 mm Square Dustproof Ceramic Trimmer Potentiometers (Cermet)

Type: **EVM49G**
EVM4LG



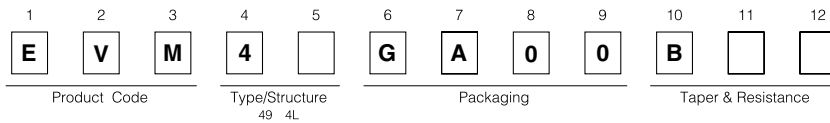
■ Features

- Higher performance dustproof type
- Excellent reliability in heat and humidity
- Stable rotation torque for adjustment
- Approved under the ISO 9001 system
- Conforming to JIS C5261

■ Recommended Applications

- Audio visual equipment, Office Automation equipment, Communication equipment
- Other general electronic equipment

■ Explanation of Part Numbers



■ Major Specifications

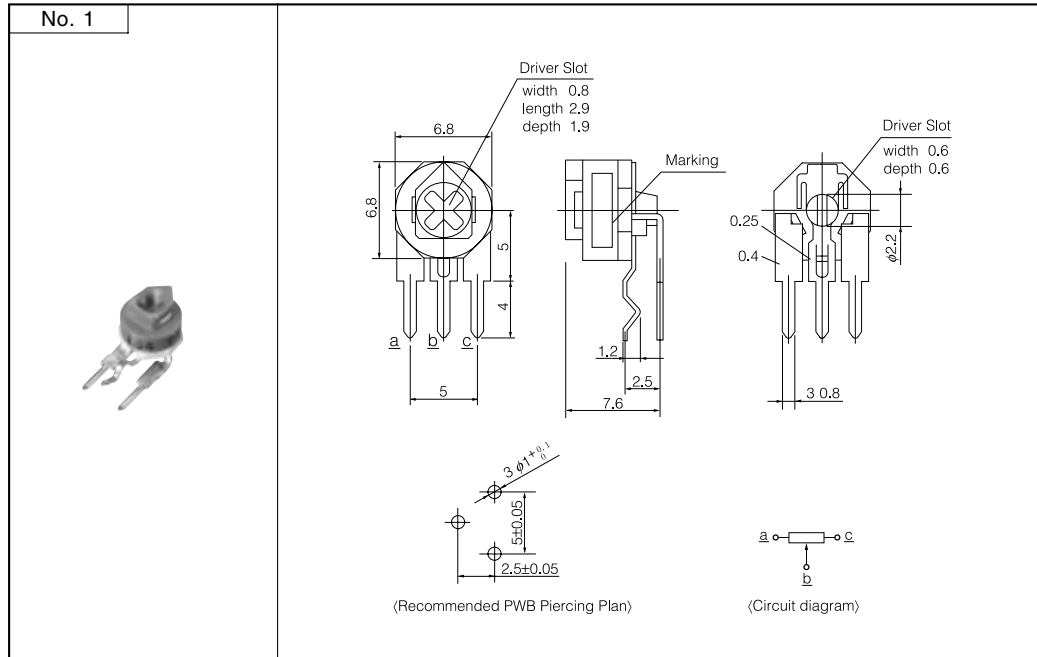
Total Resistance Value	100 Ω to 1 MΩ
Resistance Tolerance	±25 %
Power Rating	0.3 W
Max. Operating Voltage	100 V
Rotation Torque	2 to 25 mN·m
Stopper Strength	30 mN·m min.
Temperature Coefficient of Resistance	±200 × 10 ⁻⁶ /°C(ppm/°C)

■ Minimum Quantity/Packing Unit

Part Number	Bulk	
	Quantity per pack	Packaging quantity
EVM49G EVM4LG	200	3000

■ Dimensions in mm (not to scale)

- 3-terminal, Side-adjust, Both Sides Adjust, Cross Slot Screw Adjust EVM49G



- 3-terminal, Top-adjust, Both Sides Adjust, Cross Slot Screw Adjust EVM4LG

