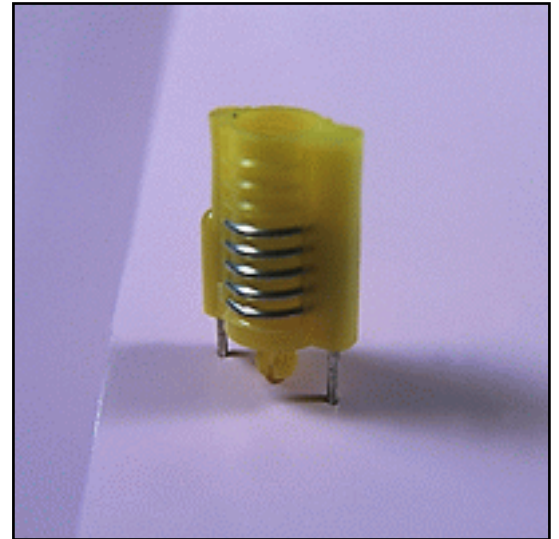




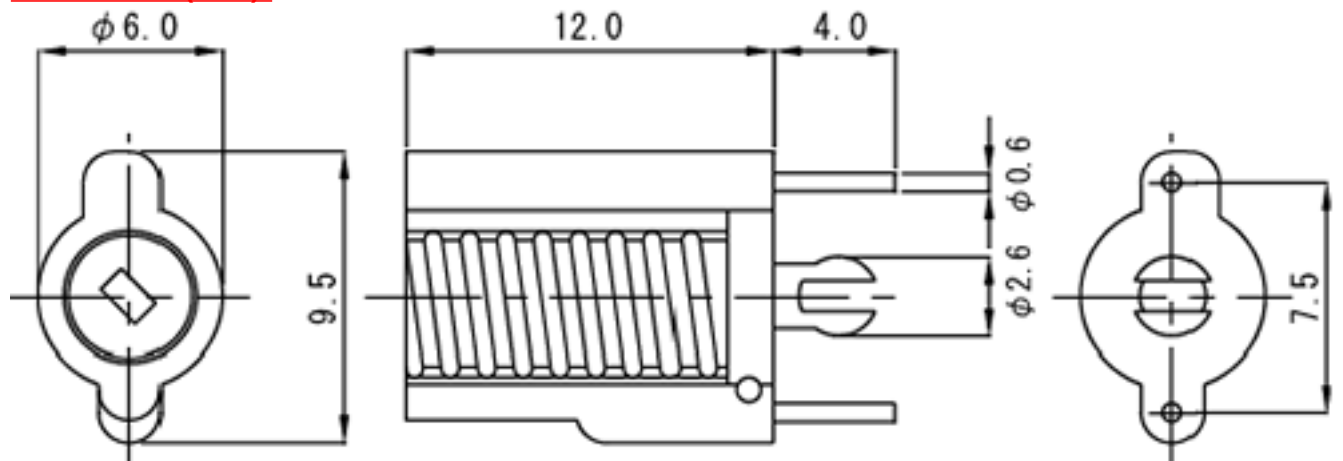
FEM-10C

Usages:

- ANTRFOsc.FM Radio, T.V. Transceiver



Dimension (mm):



Features:

- High class Small size Molded type Self Supporting type Slug (Phi 4.0)

Specifications:

- ▶ Inductance: 0.05uH?0.23uH
- ▶ Operational frequency: Max. 200MHz
- ▶ Variable range of f&L: L;±3%

FEM-10C

CopyRight©2000-2001.Sumida Corporation.
All Right Reserved.