

Single Junction Drop-In Circulator
800MHz, 900MHz, 1800MHz, 1900MHz, 2100MHz

FR11 Series
V8

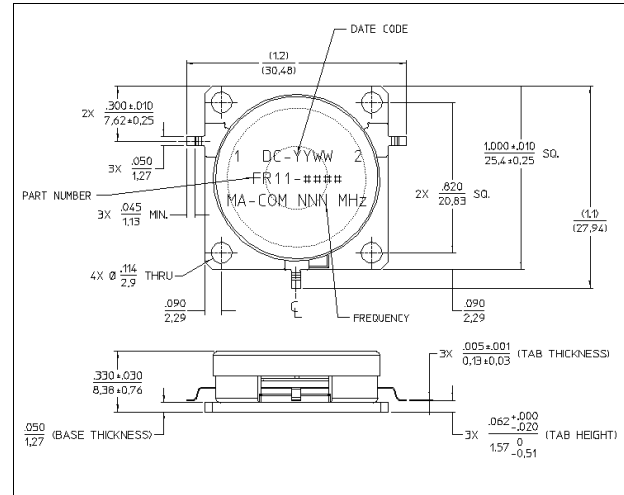
Features

- 20dB Isolation
- 0.35dB Insertion Loss
- Low cost package
- Custom products available with alternative configurations such as couplers, attenuators, high power termination and reverse circulation.

Description

M/A COM's drop-in circulators and isolators, designed for Wireless base station and power amplifier applications, feature high reliability performance at a low cost. These designs feature a low cost package ideally suited for high volume manufacturing. M/A Com is one of the largest suppliers of isolator and circulators in the world.

Outline Drawing



Electrical Specifications: $Z_0 = 50\Omega$

Parameter	-30°C to +85°C
Isolation	20dB minimum
Insertion Loss	0.35dB maximum
VSWR, all ports	1.22:1
Circulation	Clockwise

Absolute Maximum Ratings ¹

Parameter	Absolute Maximum
Forward Power	150 Watts
Operating Temperature	-30°C to +85°C
Storage Temperature	-45°C to +125°C

1. Operation of this device above any one of these parameters may cause permanent damage.

Ordering Information

Part Number	Frequency Range (MHz)
FR11-0001	869—894
FR11-0002	925—960
FR11-0003	1805—1880
FR11-0004	1930—1990
FR11-0009	2110—2170