

2012 Size

806-928MHz Band Chip Multilayer RF Transformer

Impedance Ratio 50:200

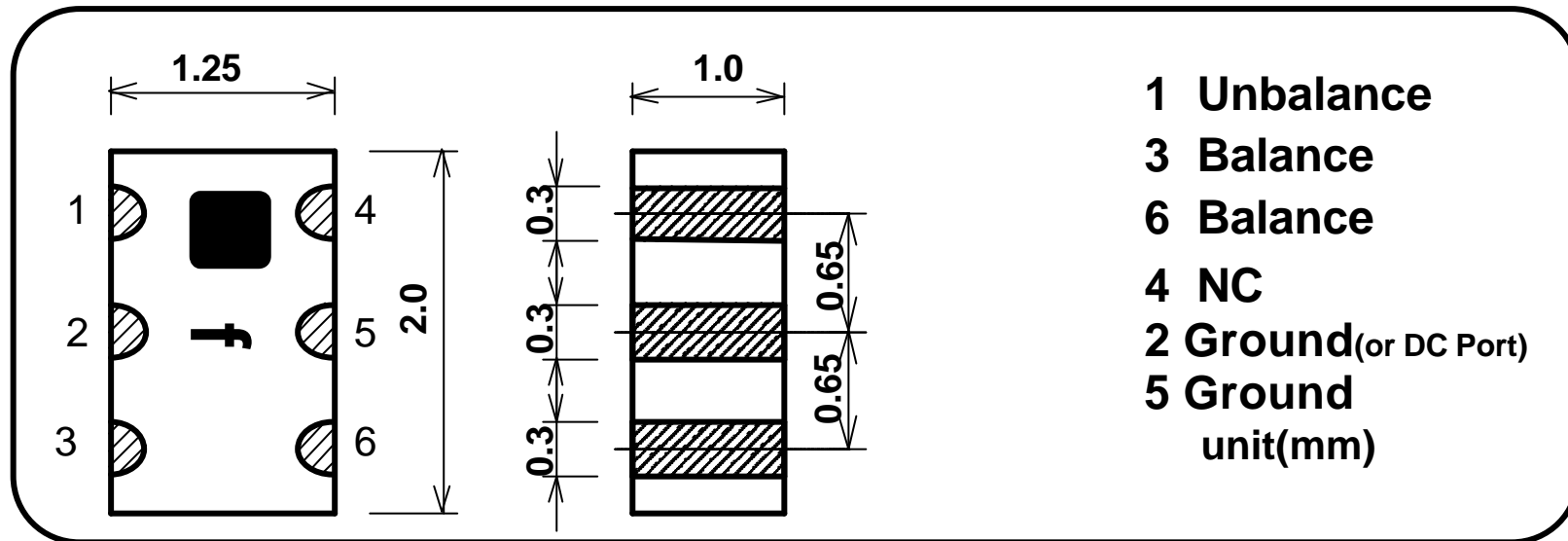
FSLT-S087G

All the technical data and information contained herein are subject to change without notice.



LT-FSLT-S087G-0410A

Shape & Size



Specifications

P/N	Frequency Range(MHz)	Impedance ratio	Insertion Loss *1	Amplitude Balance	V.S.W.R	Phase Balance	Handling Power	Temperature Range
FSLT-S087G	806-928	50:200	1.0dB Max.	1.0dB Max.	2.0 Max.	180 +/- 10deg.	100mW Max.	-35 to +85 deg.C

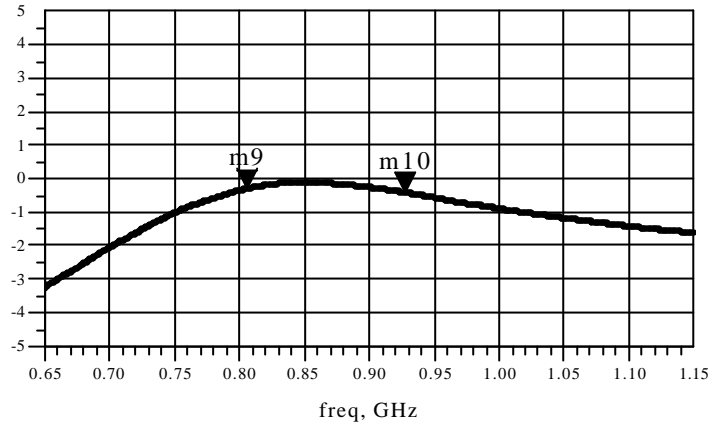
*1 Measured by "Back to Back" per piece

All the technical data and information contained herein are subject to change without notice.

LT-FSLT-S087G-0410A

FSLT-S087G Sample DATA

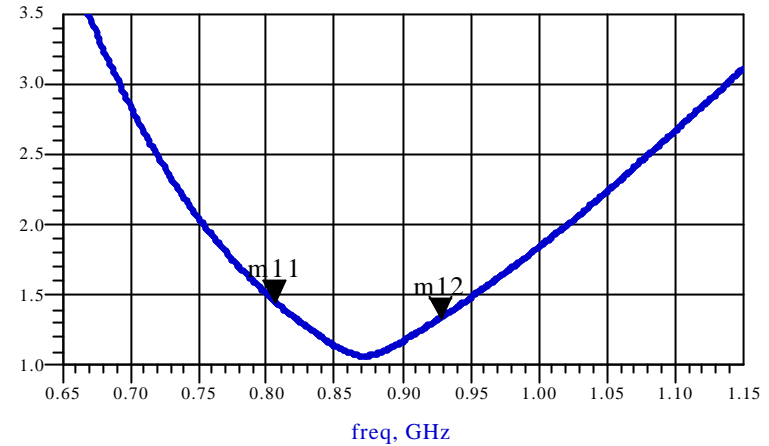
Insertion loss



m9
freq=806.0MHz
dB(S(5,4))/2=-0.291

m10
freq=928.0MHz
dB(S(5,4))/2=-0.407

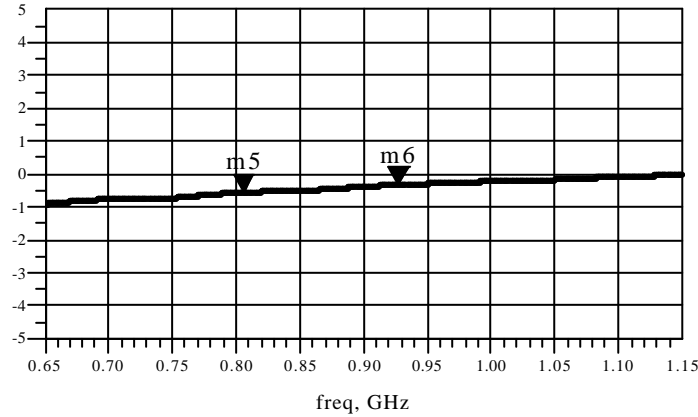
V.S.W.R



m11
freq=806.0MHz
VSWR1=1.456

m12
freq=928.0MHz
VSWR1=1.339

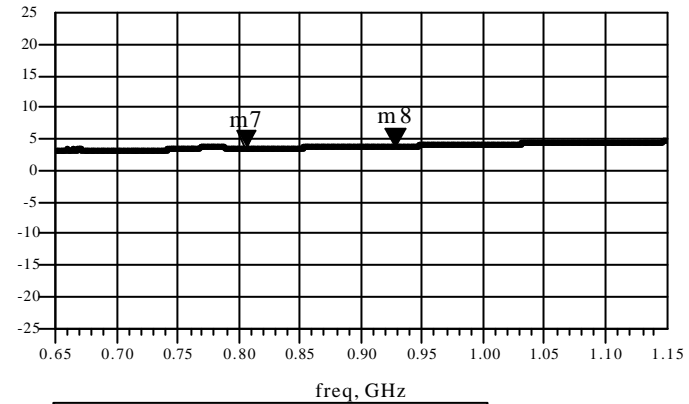
Amplitude balance



m5
freq=806.0MHz
dB(S(2,1))-dB(S(3,1))=-0.540

m6
freq=928.0MHz
dB(S(2,1))-dB(S(3,1))=-0.326

Phase balance



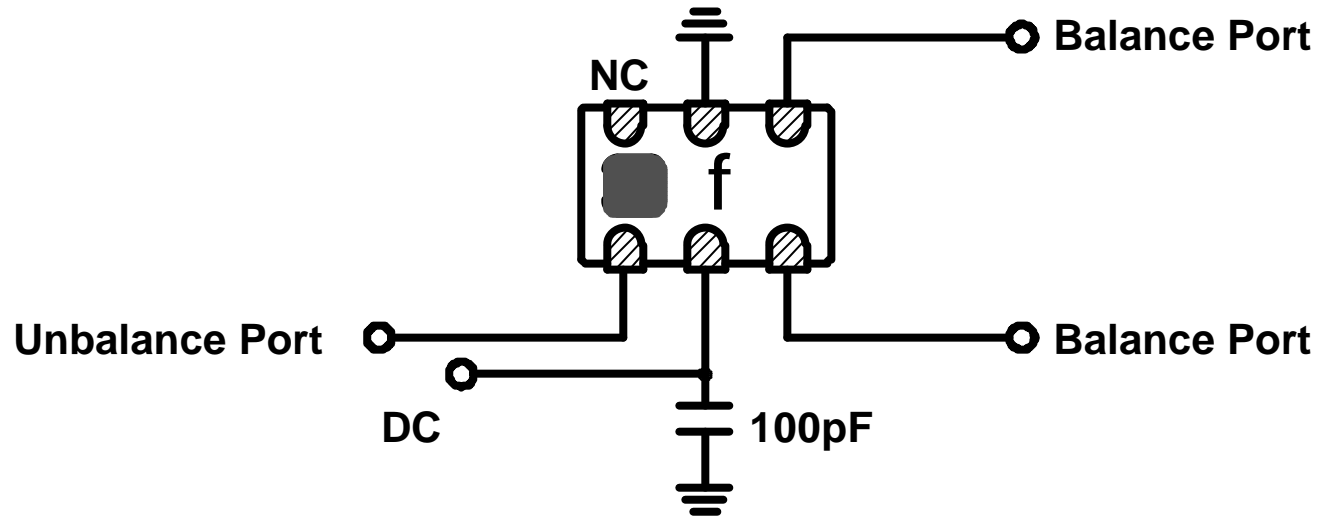
m7
freq=806.0MHz
180-abs(phase((S(2,1))/S(3,1)))=3.402

m8
freq=928.0MHz
180-abs(phase((S(2,1))/S(3,1)))=3.860

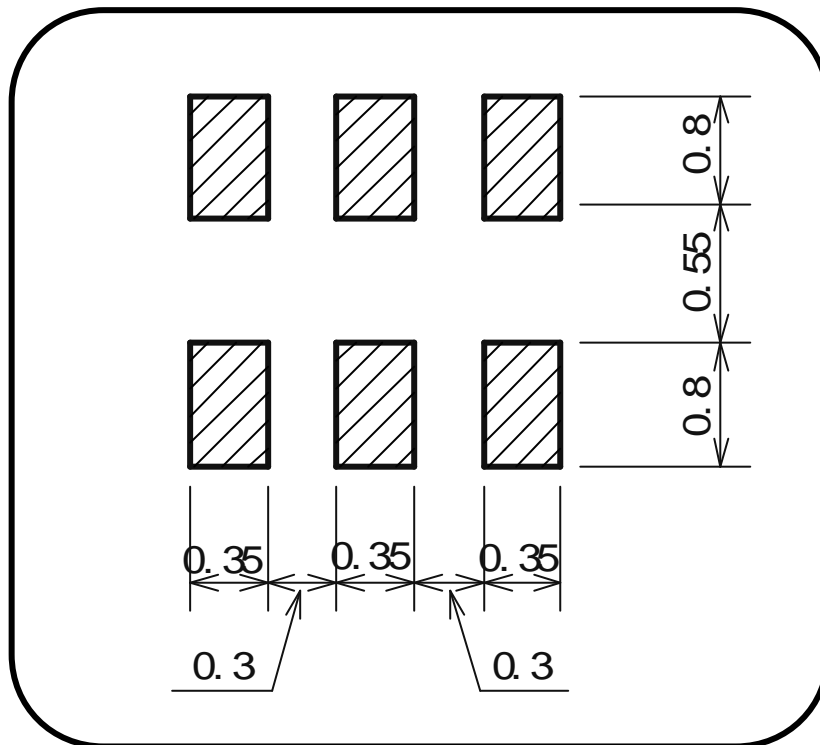
All the technical data and information contained herein are subject to change without notice.

LT-FSLT-S087G-0410A

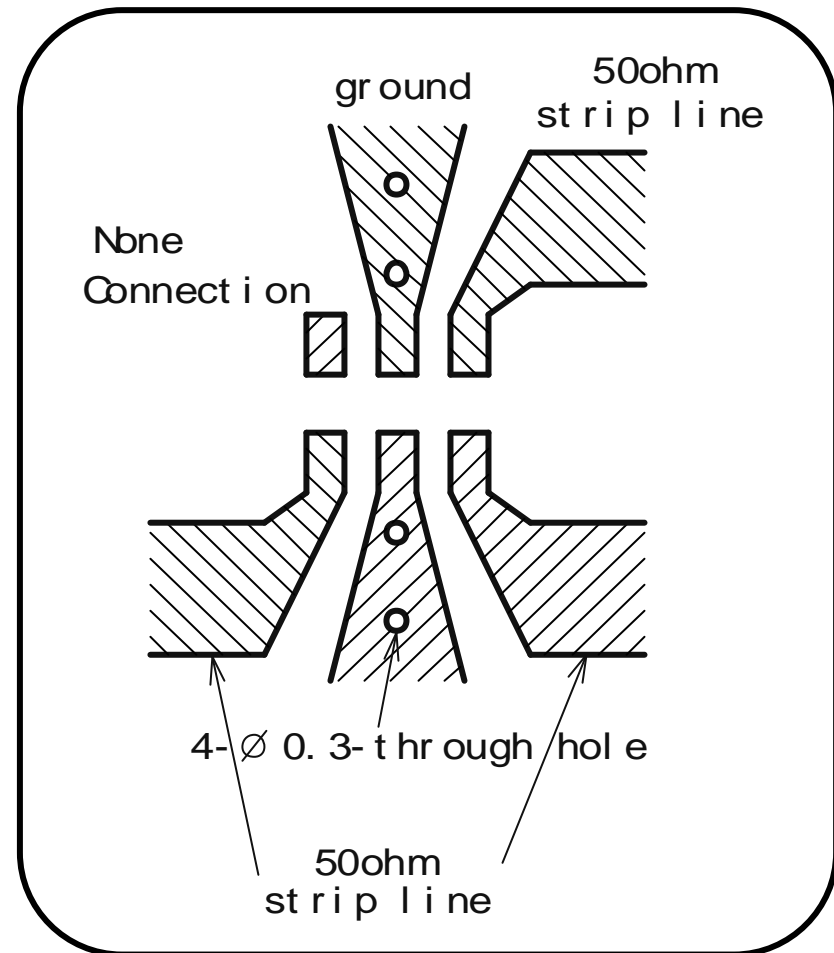
If you apply DC voltage to Balance Port,
please add capacitor as below circuit.



Foot Pattern



Foot Pattern Example



All the technical data and information contained herein are subject to change without notice.

LT-FSLT-S087G-0410A