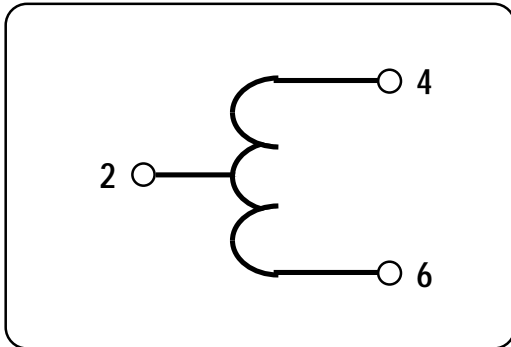


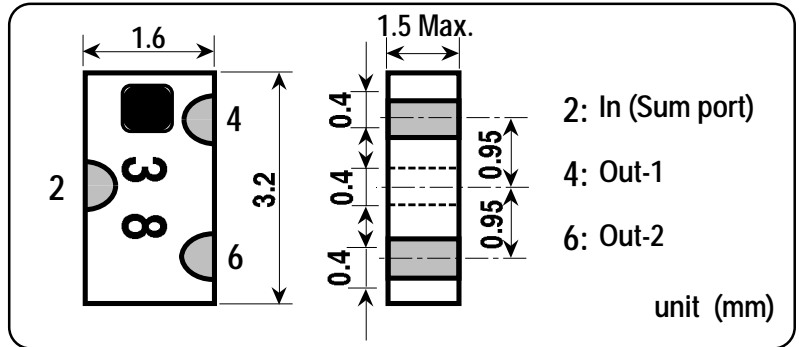
**300 / 400 MHz Band Chip 0 deg. Splitter / Combiner**

Model No. FSTH-38R

Equivalent Circuits



Shape & Size

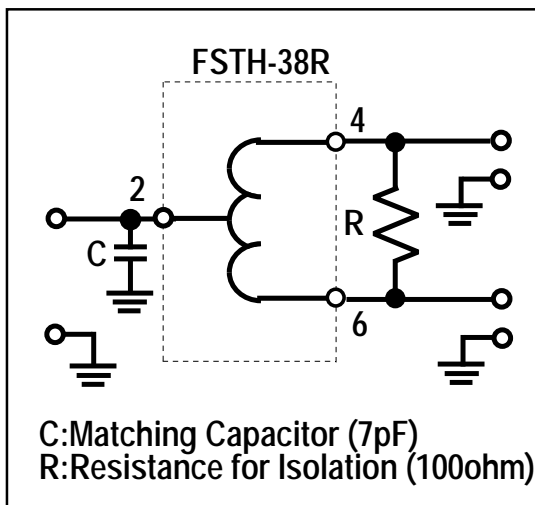


Specifications

Frequency Range(MHz)	Matching Capacitor	Insertion Loss	Isolation	Return Loss	Handling Power	Temperature Range
320-400	7pF	1dB Max. (0.3dB Typ.) *1	12dB Min. (18dB Typ.)	9.5dB Min. (17.7dB Typ.)	1W Max.	-35 ~ +85 deg.C

\*1 Not include Splitting Loss (3dB)

Measurement Circuit



Typical Data

