

GDC21D003 **(VSB Receiver)**

Version 1.0

Mar, 99



HYUNDAI
MicroElectronics

The information contained herein is subject to change without notice.

The information contained herein is presented only as a guide for the applications of our products. No responsibility is assumed by Hyundai for any infringements of patents or other rights of the third parties which may result from its use. No license is granted by implication or otherwise under any patent or patent rights of Hyundai or others.

These Hyundai products are intended for usage in general electronic equipment (office equipment, communication equipment, measuring equipment, domestic electrification, etc.).

Please make sure that you consult with us before you use these Hyundai products in equipment which require high quality and / or reliability, and in equipment which could have major impact to the welfare of human life (atomic energy control, airplane, spaceship, traffic signal, combustion control, all types of safety devices, etc.). Hyundai cannot accept liability to any damage which may occur in case these Hyundai products were used in the mentioned equipment without prior consultation with Hyundai.

Copyright 1999 Hyundai Micro Electronics Co.,Ltd.
All Rights Reserved

TABLE OF CONTENTS

1. General Description	8
2. Features	8
3. Internal Block Diagram	11
4. Pin Description	11
4.1 Pin Configuration	11
4.2 Pin Description.....	14
4.3 Pin Assignment.....	16
5. I²C Bus I/F & Registers	17
5.1 I ² C Bus I/F Description.....	17
5.1.1 Write Operation	17
5.1.2 Read Operation.....	17
5.2 I ² C Bus Register Configuration	18
5.3 I ² C Bus Register Description	20
6. Functional Description	29
6.1 ADC	29
6.1.1 Electrical Characteristics.....	30
6.1.2 Timing Diagram.....	32
6.1.3 Application Circuits.....	33
6.2 Clock Divider.....	35
6.3 Synchronizer	36
6.3.1 Input Control.....	36
6.3.2 DC Reduction.....	39
6.3.3 Auto Gain Control(AGC)	39
6.3.4 Polarity Correction.....	40
6.3.5 Data Segment Sync Recovery	41
6.3.6 Polarity Decision.....	42
6.3.7 Timing Recovery	43
6.3.8 Field Sync Recovery	46
6.3.9 VSB Mode Detect.....	47
6.3.10 NTSC Rejection.....	48
6.4 Equalizer	50
6.4.1 Block Diagram.....	50
6.4.2 Training/Data Mode Equalization	51
6.4.3 Error Estimation.....	52
6.4.4 Adaptive Filter	53
6.4.5 Equalizer Clock Scheme	53
6.4.6 I ² C Bus I/F	54
6.4.7 Coefficient Reading/Writing.....	56

6.5 Phase Tracker	56
6.5.1 Error Detection	57
6.5.2 Gain & Offset Loop.....	58
6.5.3 Phase Loop	58
6.5.4 I2C Bus I/F	59
6.6 Channel Decoder.....	60
6.6.1 12 Symbol Intra-segment Deinterleaver.....	61
6.6.2 Segment Sync Suspension.....	61
6.6.3 Viterbi Decoder.....	62
6.6.4 Symbol-to-Byte Converter.....	64
6.6.5 Convolutional Deinterleaver.....	65
6.6.6 Reed-Solomon Decoder.....	65
6.6.7 Data Derandomizer	66
6.6.8 I/F to Transport Demultiplexer.....	67
6.7 PLL.....	74
7. Electrical Characteristics	75
8. Package Dimensions	77
9. Application Notes	78

Figures

Figure 3.1 Functional Block Diagram	10
Figure 5.1.1 I ² C Write Operation Example	17
Figure 5.1.2 I ² C Read Operation Example	18
Figure 6.1.1 The Block Diagram of ADC	29
Figure 6.1.2 Timing Diagram of ADC	32
Figure 6.1.3 ADC Application Circuit	33
Figure 6.1.4 Equivalent Circuits	34
Figure 6.3.1 The Block Diagram of Input Selection	36
Figure 6.3.2 Digital Input Setting Up & Chip I/F Circuit(1)	37
Figure 6.3.3 Digital Input Setting Up & Chip I/F Circuit(2)	38
Figure 6.3.4 The Block Diagram of DC Reduction	39
Figure 6.3.5 The Block Diagram of AGC	40
Figure 6.3.6 AGC Signal I/F for DTV System	40
Figure 6.3.7 The Block Diagram of Polarity Correction	41
Figure 6.3.8 The Block Diagram of Data Segment Sync Recovery	41
Figure 6.3.9 Polarity signal I/F Circuit	42
Figure 6.3.10 Timing Recovery Block	43
Figure 6.3.11 Timing Recovery I/F Circuit(1)	44
Figure 6.3.12 Timing Recovery I/F Circuit(2)	45
Figure 6.3.13 Field Sync Structure	46
Figure 6.3.14 The Block Diagram of Field Sync Recovery	46
Figure 6.3.15 Comb Filter Block	48

Figure 6.3.16	The Block Diagram of NTSC Rejection	49
Figure 6.4.1	Channel Equalizer	50
Figure 6.4.2	VSB Slicer	51
Figure 6.4.3	Training/Data Equalization	51
Figure 6.4.4	VSB Slice Level	52
Figure 6.4.5	Coefficient Update Filter	53
Figure 6.4.6	I ² C Bus I/F	54
Figure 6.5.1	Phase Tracker	57
Figure 6.5.2	Error Detection	57
Figure 6.5.3	Coefficients of Hilbert Transform Filter	58
Figure 6.5.4	Complex Multiplier	58
Figure 6.6.1	Block Diagram of Channel Decoder	60
Figure 6.6.2	12-Symbol Intra-segment Deinterleaver	61
Figure 6.6.3	Segment Sync Suspension	62
Figure 6.6.4	Viterbi Decoding with and without NTSC Rejection Filter	63
Figure 6.6.5	Internal Block Diagram of Viterbi Decoder	63
Figure 6.6.6	Convolutional Deinterleaver	65
Figure 6.6.7	Derandomizer Polynomial	66
Figure 6.6.8	I/F to Transport Demultiplexer when Register64[7:0] is set to Default Value	68
Figure 6.6.9	I/F to Transport Demultiplexer when Register64[3] (Derand_on) is set to '0'	69
Figure 6.6.10	I/F to Transport Demultiplexer when Register64[2](Errorflg_ins) is set to '0'	69
Figure 6.6.11	I/F to Transport Demultiplexer when Register64[1](Vsbvalid_pol) is set to '0'	70
Figure 6.6.12	I/F to Transport Demultiplexer when Register64[0](Vsbclk_sup) is set to '0'	70
Figure 6.6.13	I/F to Transport Demultiplexer(MMDS 8VSB Mode)	71
Figure 6.6.14	I/F to Transport Demultiplexer at Serial Output Mode	71
Figure 6.6.15	Connection with VSB Receiver and Transport Demultiplexer Chip(GDC21D301A)	72
Figure 6.6.16	Connection with VSB Receiver and Transport Demultiplexer Chip(L64007)	72
Figure 6.6.17	Connection with VSB Receiver and Transport Demultiplexer Chip(AVIA-MAX)	73
Figure 6.7.1	Clock Scheme	74
Figure 7.1	Clock Reset Stabilization Timing	76
Figure 7.2	Input and Output Timing	76
Figure 8.1	Physical Dimensions	77
Figure 9.1	VSB Receiver Application Circuit	78

Tables

Table 6.2.1	Register Setting Up for Clock Divider	35
Table 6.3.1	Input Signal Path Setting Up	36
Table 6.3.2	DATAPOLP & DATAPOLN Output	42
Table 6.3.3	VSB Mode Data for Each VSB Mode	47
Table 6.3.4	VSB Mode Signal Control	47
Table 6.3.5	Comb Filter Control through I ² C Bus	49
Table 6.4.1	Contents of I ² C Bus Register33 for Equalizer	55
Table 6.4.2	Contents of I ² C Bus Register33 for Filter Control	55
Table 6.5.1	Contents of I ² C Bus Register33 for Phase Tracker	59
Table 6.5.2	Contents of I ² C Bus Register33 for Gain Control	59
Table 6.6.1	Bypassed Sub-blocks by the Values of I ² C Bus Register64	60
Table 6.6.2	Symbol-to-Byte Conversion	64
Table 6.6.3	I ² C Register64 Flags controlling Transport Demultiplexer I/F	67

1. General Description

The VSB Receiver(GDC21D003) is an ATSC compliant single chip communications device that synchronizes, equalizes, and corrects errors of ATSC 8/16 VSB and MMDS (Multichannel Multipoint Distribution System) 2/4/8/16 VSB modulated signal.

The on-chip 10-bit 10.76MSPS Analog-to-Digital Converter has an input sample-and-hold amplifier. By implementing a multistage pipelined architecture with output correction logic, the ADC offers accurate performance and guarantees no missing codes over the full operating temperature. Clock divider divides output clock of external VCXO and generates symbol clock (CLKFS) and ADCCLK. The CLKFS has 10.76MHz frequency as symbol frequency used in DTV transmitter, ADCCLK is used for external A/D converter. At this time, if you use digital signal as input of chip, CLKFS or ADCCLK are used for external A/D converter clock.

Synchronizer removes DC entered from transmitter and DC generated by analog circuit used in receiver. Also it checks gain of input signal and sends it to demodulator, detects polarity, and corrects it. It recovers Data Segment Sync period and Field Sync period entered from transmitter. It detects VSB mode of current input signal and removes NTSC co-channel interference in channel. Equalizer corrects linear distortion created during transmission. It uses Least-Mean-Square algorithm and has decision feedback equalizer structure. It uses adaptive filter having coefficient update structure consisted of multiplier, adder, and memory structure in every tap.

Phase Tracker compensates phase distortion due to phase noise and it consists of gain correction loop for gain error, offset correction loop for offset error, and phase correction loop for phase error.

Channel Decoder consists of Viterbi Decoder, Convolutional Deinterleaver, Reed-Solomon Decoder, Data Derandomizer, and etc. It decodes ATSC 8/16 VSB signal and MMDS 2/4/8/16 VSB signal. Also it has internal segment error counter that send out the number of segment errors per second and offers tri-state parallel/serial Transport Demultiplexer interface.

2. Features

General features

- ATSC compliant 8/16 VSB receiver
 - MMDS 2/4/8/16 VSB receiver
 - SNR threshold 14.9 dB on AWGN channel
 - Tri-state parallel/serial MPEG-2 transport interface
 - Supports I²C bus interface
 - Boundary Scan Test circuit complies with IEEE Std. 1149.1
- ID-Code = 0D0031C1
- Operating voltage : 3.3V
 - 0.35μm CMOS technology
 - 128 pin HQFP package

ADC

- Resolution : 10bits ($\leq \pm 1/2$ LSB DNL error)
- Sampling rate : 10.76 Msps
- Differential input range : 2V_{pp}(1.7 ± 0.5V differential)

Clock Divider

- Generates symbol clock(10.76MHz)
- Uses one of two VCXOs, fs(10.76MHz) and 2fs(21.52MHz) as input

Synchronizer

- Input control
- DC reduction and polarity correction
 - Correction of polarity ambiguity caused by FPLL
- Non-coherent and coherent automatic gain control (AGC)
- Data Segment Sync and Field Sync recovery
- Timing recovery
- Polarity decision
 - Polarity decision after Data Segment Sync is locked
- VSB mode detection
- Comb control
 - Comb filter for the rejection of NTSC co-channel interface

Equalizer

- Decision feedback equalizer
- Supports training sequence and blind equalization
- Concurrent coefficients update in symbol time
- Available 3 different step-size
- Capability of reading equalizer coefficients
- Ghost cancellation in the range from $-2.86\mu\text{s}$ to $20.76\mu\text{s}$

Phase Tracker

- Intelligent loop control according to noise environment
- Phase tracking from -60° to 60° with resolution of 0.004 degree
- Phase, offset, and gain correction at a time

Channel Decoder

- Concatenated Viterbi/Reed-Solomon Decoder with Deinterleaver and Derandomizer
- Internal segment error counter
- Tri-state parallel/serial MPEG-2 Transport Demultiplexer interface

3. Internal Block Diagram

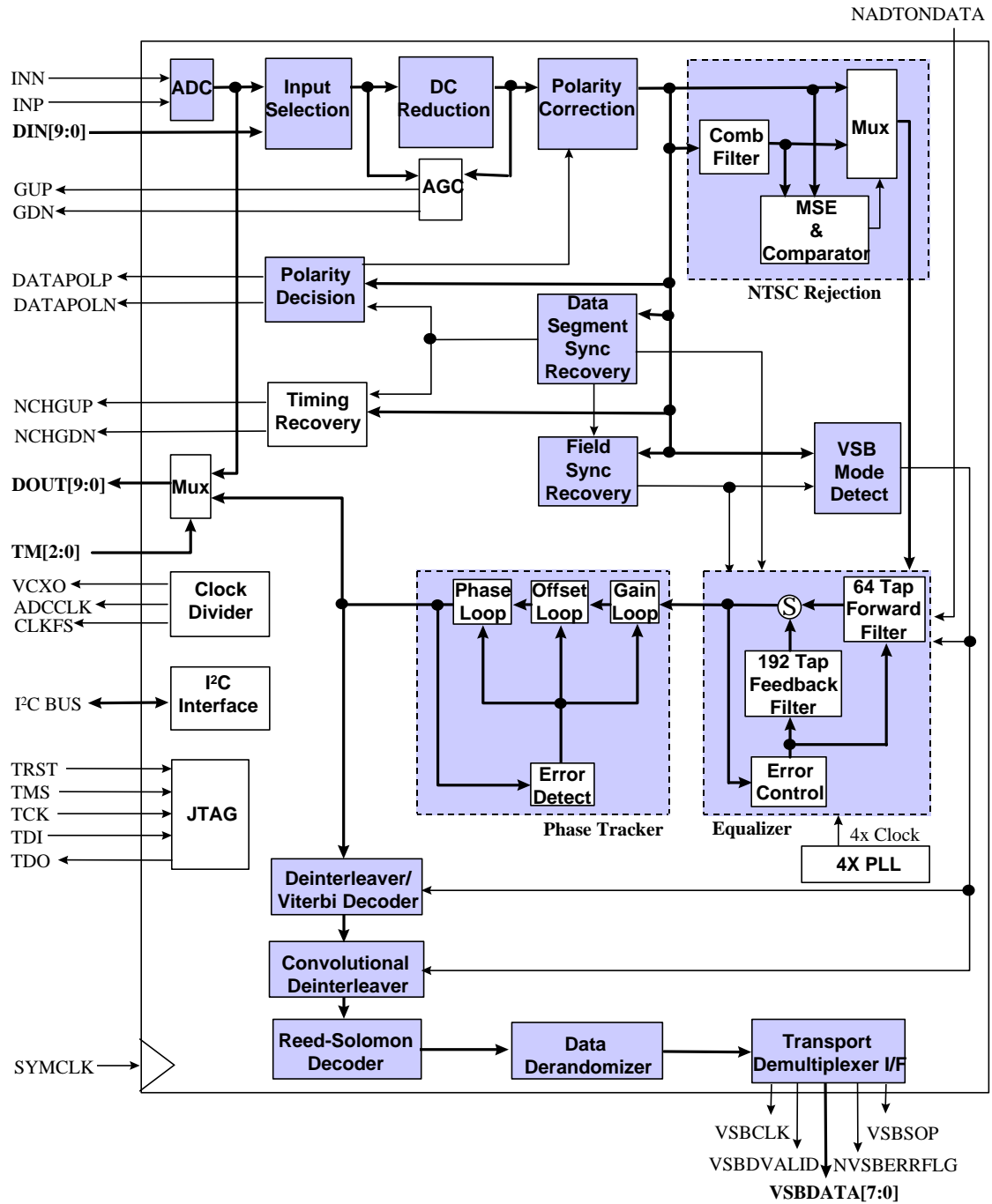
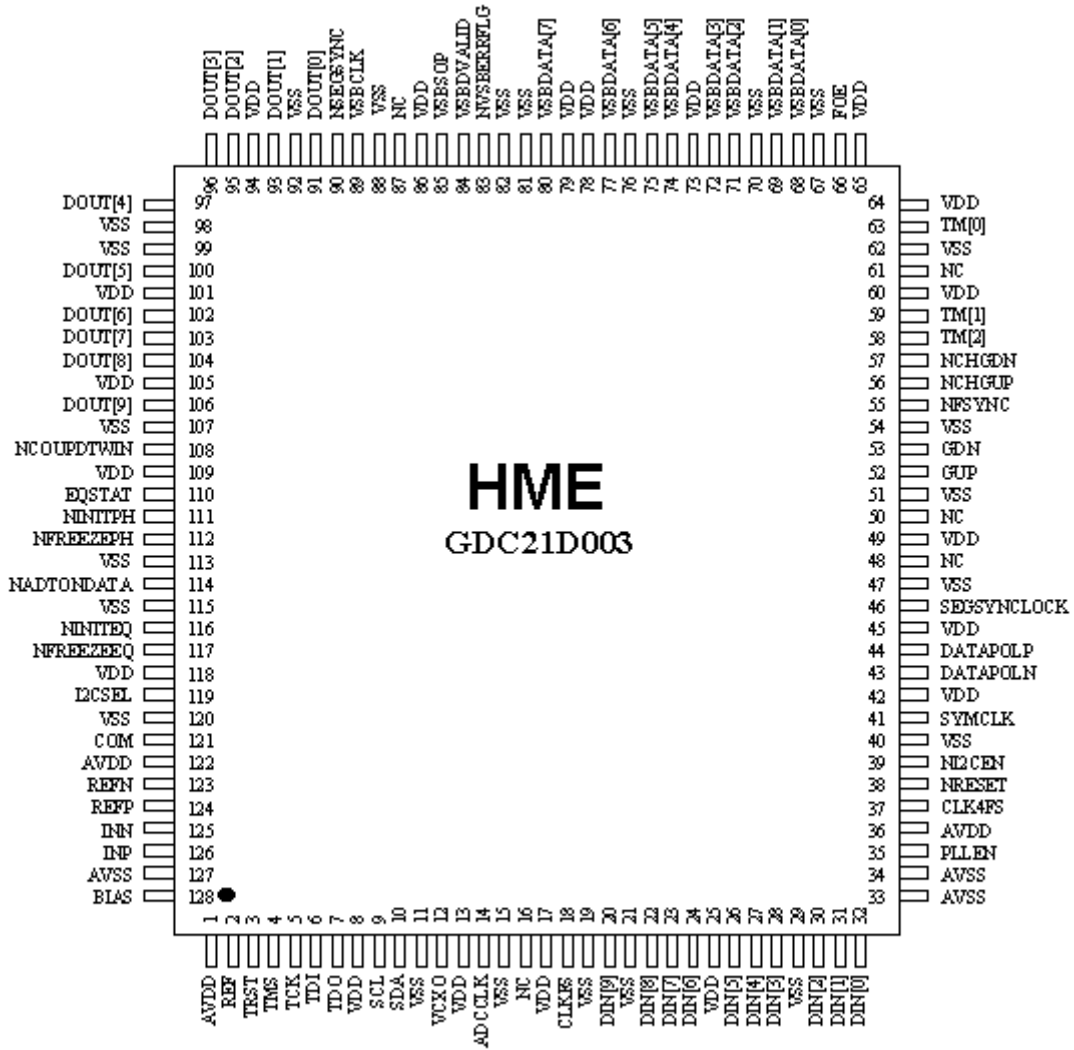


Figure 3.1 Functional Block Diagram

4. Pin Description

4.1 Pin Configuration



* 128 PIN HQFP, 28X28 mm BODY, 1.60/0.33 mm FORM, 3.37mm THICK, 0.8 mm PITCH

4.2 Pin Description

Clock/Reset ; 6 Pins

PIN	NAME	TYPE	DESCRIPTION
38	NRESET	I	System reset(active low) ; This signal should be activated on channel change or power on.
12	VCXO	I	Clock input generated in VCXO ; This pin can be connected to one of two VCXOs whose output frequencies are fs(10.76MHz) and 2fs(21.52MHz).
14	ADCCLK	O	Clock for Off-chip ADC(21.52MHz or 10.76MHz) ; This clock is generated by dividing VCXO input signal.
18	CLKFS	O	System clock ; This clock is generated from dividing VCXO input signal. Its frequency is the same of symbol rate(10.76MHz).
37	CLK4FS	I/O	Test clock/4x symbol clock ; When PLEN(pin35) input is set to '1', this pin is used as 4x symbol clock output. When PLEN(pin35) input is set to '0', this pin is used as test clock(43.04MHz) input.
41	SYMCLK	I	System clock input(10.76MHz)

A/D Converters ; 7 Pins

PIN	NAME	TYPE	DESCRIPTION
2	REF	I	Bias register for internal ADC ; This pin should be connected to AVDD(3.3V) via 12k ohm register.
121	COM	I	Common voltage(1.5V)
123	REFN	I	Reference voltage(bottom: 1.2V)
124	REFP	I	Reference voltage(top: 2.2V)
125	INN	I	Analog data input(negative)
126	INP	I	Analog data input(positive)
128	BIAS	I	Bias input(2V typical) for On-chip ADC ; This pin should be connected to AVSS via 0.1µF capacitor.

Sync Recovery ; 20 Pins

PIN	NAME	TYPE	DESCRIPTION
20, 22-24, 26-28, 30-32	DIN[9:0] Bit9 : MSB	I	Digital data input; This data input comes from external ADC.
44	DATAPOLP	I/O*	Polarity signal of input data(active high); If this output value is '1', it means the plus polarity. This signal should be applied to demodulator IC.
43	DATAPOLN	I/O*	Inverted polarity signal of input data(active high); This signal should be applied to demodulator IC.
46	SEGSYNLOCK	I/O*	Stability Indication of Data Segment Sync recovery(active high)
52	GUP	I/O*	Input data gain increasing signal(active high); This signal should be applied to demodulator IC.
53	GDN	I/O*	Input data gain decreasing signal(active high); This signal should be applied to demodulator IC.
55	NFSYNC	O	Field Sync(active low); If this output value is '0', it means Field Sync interval.
56	NCHGUP	O	Charging signal for charge pump in the timing recovery block(active low)
57	NCHGDN	O	Discharging signal for charge pump in the timing recovery block(active low)
66	FOE	O	Field status indicator(active high); If this output value is '1', it means inverted field.
90	NSEGSYNC	O	Data Segment Sync(active low); If this output value is '0', it means Data Segment Sync interval.

(NOTE) * These five I/O pins are used as input pin only for chip test.

Equalizer ; 6 Pins

PIN	NAME	TYPE	DESCRIPTION
35	PLEN	I	PLL enable(active high); This pin should be set to '1'.
108	NCOUPDTWIN	O	Coefficient update window(active low); If this output value is '0', the Equalizer adapts its coefficients. Otherwise, it doesn't adapt its coefficients.
110	EQSTAT	O	Equalizer status; If this output value is '1', the Equalizer is in normal status. Otherwise, the Equalizer has diverged.
114	NADTONDATA	I	Data mode coefficient update(active low); If this input is set to '0', the Equalizer adapts its coefficients during training sequence and data interval. Otherwise, the Equalizer adapts its coefficients during only training sequence interval.
116	NINITEQ	I	Equalizer initialization(active low); If this input is set to '0', the Equalizer is initialized.
117	NFREEZEEQ	I	Equalizer freeze(active low); If this input is set to '0', the Equalizer coefficient does not be adapted.

(NOTE) When I²C is enabled, operation is performed either using these pins or via I²C register, but when disabled, only these pins are used. If you want to control Equalizer fast, use these external input pins. Otherwise use I²C bus registers.

Phase Tracker ; 2 Pins

PIN	NAME	TYPE	DESCRIPTION
111	NINITPH	I	Phase tracker initialization(active low) ; If this input is set to '0', the Phase Tracker is initialized.
112	NFREEZEPH	I	Phase tracker freeze(active low) ; If this input is set to '0', the Phase Tracker stops phase tracking..

(NOTE) When I²C is enabled, operation is performed either using these pins or via I²C register, but when disabled, only these pins are used. If you want to control Equalizer fast, use these external input pins. Otherwise use I²C bus registers.

Channel Decoder ; 12 Pins

PIN	NAME	TYPE	DESCRIPTION
68,69,71,72,74,75,77,80	VSBDATA[7:0] Bit7 : MSB	O	Data output to transport multiplexer; VSBDATA[7] : Used as start bit indicator of a byte in serial output mode. VSBDATA[0] : Used as serial data output in serial output mode.
83	NVSBERRFLG	O	Packet error indication flag(active low) ; This output indicates whether the packet has error or not. 0 : with error 1 : without error
84	VSBDVALID	O	Valid data indication flag; 1: valid when register64[1](Vsbdvalid_pol = '1') 0 :valid when register64[1](Vsbdvalid_pol = '0')
85	VSBSOP	O	Start byte indicator of a packet
89	VSBCLK	O	Data clock of packet data

I2C Bus Interface ; 4 Pins

PIN	NAME	TYPE	DESCRIPTION
9	SCL	I	I²C bus serial clock input
10	SDA	I/O	I²C bus serial data input/output
39	NI2CEN	I	I²C bus enable(active low) ; If this input is set to '0', the chip is controlled by I ² C bus. Otherwise, stand alone mode.
119	I2CSEL	I	I²C bus device address selection; 0 : I ² C device address is set to b"1011001". 1 : I ² C device address is set to b"0001110". (default value)

Boundary Scan Signal ; 5 Pins

PIN	NAME	TYPE	DESCRIPTION
3	TRST	I	Boundary scan test reset
4	TMS	I	Boundary scan test mode selection
5	TCK	I	Boundary scan test clock
6	TDI	I	Boundary scan test data input
7	TDO	O	Boundary scan test data output

Miscellaneous ; 18 Pins

PIN	NAME	TYPE	DESCRIPTION
58,59,63	TM[2:0] Bit2 : MSB	I	Tmode; “111” : normal mode with ADC output “011” : normal mode with Phase Tracker output others : reserved for chip test
91, 93, 95-97, 100, 102-104, 106	DOUT[9:0] Bit9 : MSB	O	Data output; Either ADC or Phase Tracker block output is selected by tmode as dout[9:0] output.
16,48,50,61,87	NC		No connection

Supply Voltages ; 48 Pins

PIN	NAME	TYPE	DESCRIPTION
8, 13, 17, 25, 42, 45, 49,60,64,65,73,78, 79,86,94,101,105, 109,118	VDD		Digital positive supply voltage(3.3V)
11,15,19,21,29,40, 47,51,54,62,67,70, 76,81,82,88,92,98 99,107,113,115	VSS		Digital negative supply voltage(ground)
1,36,122	AVDD		Analog positive supply voltage(3.3V)
33,34,120,127	AVSS		Analog negative supply voltage(ground)

4.3 Pin Assignment

PIN	NAME	TYPE	PIN	NAME	TYPE	PIN	NAME	TYPE
1	AVDD		44	DATAPOLP	I/O	87	NC	
2	REF	I	45	VDD		88	VSS	
3	TRST	I	46	SEGSYNCKLOCK	I/O	89	VSCLK	O
4	TMS	I	47	VSS		90	NSEGSYNC	O
5	TCK	I	48	NC		91	DOUT[0]	O
6	TDI	I	49	VDD		92	VSS	
7	TDO	O	50	NC		93	DOUT[1]	O
8	VDD		51	VSS		94	VDD	
9	SCL	I	52	GUP	I/O	95	DOUT[2]	O
10	SDA	I/O	53	GDN	I/O	96	DOUT[3]	O
11	VSS		54	VSS		97	DOUT[4]	O
12	VCXO	I	55	NFSYNC	O	98	VSS	
13	VDD		56	NCHGUP	O	99	VSS	
14	ADCCLK	O	57	NCHGDN	O	100	DOUT[5]	O
15	VSS		58	TM[2]	I	101	VDD	
16	NC		59	TM[1]	I	102	DOUT[6]	O
17	VDD		60	VDD		103	DOUT[7]	O
18	CLKFS	O	61	NC		104	DOUT[8]	O
19	VSS		62	VSS		105	VDD	
20	DIN[9]	I	63	TM[0]	I	106	DOUT[9]	O
21	VSS		64	VDD		107	VSS	
22	DIN[8]	I	65	VDD		108	NCOUPDTWIN	O
23	DIN[7]	I	66	FOE	O	109	VDD	
24	DIN[6]	I	67	VSS		110	EQSTAT	O
25	VDD		68	VSBDATA[0]	O	111	NINITPH	I
26	DIN[5]	I	69	VSBDATA[1]	O	112	NFREEZEPH	I
27	DIN[4]	I	70	VSS		113	VSS	
28	DIN[3]	I	71	VSBDATA[2]	O	114	NADTONDATA	I
29	VSS		72	VSBDATA[3]	O	115	VSS	
30	DIN[2]	I	73	VDD		116	NINITEQ	I
31	DIN[1]	I	74	VSBDATA[4]	O	117	NFREEZEEQ	I
32	DIN[0]	I	75	VSBDATA[5]	O	118	VDD	
33	AVSS		76	VSS		119	I2CSEL	I
34	AVSS		77	VSBDATA[6]	O	120	AVSS	
35	PLEN	I	78	VDD		121	COM	I
36	AVDD		79	VDD		122	AVDD	
37	CLK4FS	I/O	80	VSBDATA[7]	O	123	REFN	I
38	NRESET	I	81	VSS		124	REFP	I
39	NI2CEN	I	82	VSS		125	INN	I
40	VSS		83	NVSBERRFLG	O	126	INP	I
41	SYMCLK	I	84	VSBDVALID	O	127	AVSS	
42	VDD		85	VSBSOP	O	128	BIAS	I
43	DATAPOLN	I/O	86	VDD				

5. I²C Bus I/F & Registers

5.1 I²C Bus I/F Description

When NI²CEN pin is set to Low, the GDC21D003 may be controlled over I²C bus interface which consists of two signals, serial data(SDA) and serial clock(SCL) that can control a large number of devices on a common bus. The Device Address of this chip is “1011001”b or “0001110”b which can be selected by I²CSEL pin. The data on the I²C bus can be transferred at a rate up to 100 kbits/s in the standard mode, or up to 400 kbits/s in the fast mode. In the GDC21D003, SDA is bi-directional but SCL is only used as input, since the IC can only act as a slave device. In normal operations, data transfers are clocked by the SCL signal with one SCL pulse per data bit, and SDA is required to be stable during the high period of the SCL signal. Transitions of SDA while SCL is high are performed by the interface signals of start(S), stop(P), and repeated start(Sr) conditions. The start condition is defined as a high-to-low transition of SDA while SCL is high, and the stop condition is the low-to-high transition of SDA while SCL is high. Data transmissions are always proceeded by a start condition and ended with a stop condition, and may contain repeated starts within the transmission to alter the direction of the data flow or to change register base addresses. All data transmission

operations occur in 8-bit blocks with each block acknowledged through the designated receiver by the generation of an acknowledge signal(A). This signal is generated on the ninth pulse of SCL for each transferred block.

5.1.1 Write Operation

In order to perform a write operation, the interface is accessed in following manner. The master first generates a start condition by pulling SDA down to low while SCL is high. The master next sends a 7-bit Device Address and a one bit R/W signal, and each slave compares this address with its own address and acknowledges the master if the device address sent by the master coincides with that of its own. If not so, the slave ignores the rest of current data being transmitted. If the master is writing to the GDC21D003, the chip interprets the next data byte as a register base address. This is used as the location to store the next received data byte. This base address increases as each data byte is received allowing a contiguous register block to be programmed in a single transmission. Non-contiguous blocks may be programmed in multiple transmissions or by using a repeated start condition, which allows a new Device Address and register base address to be specified without the master giving up control of the bus. The transmission is terminated with the receipt of a stop condition.

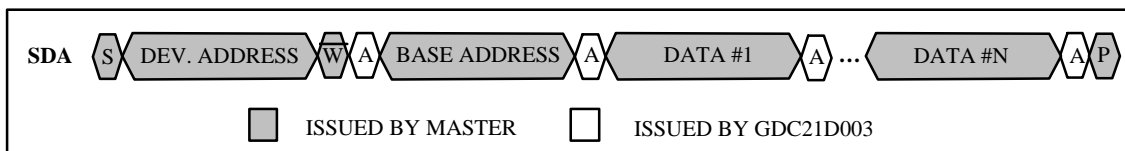


Figure 5.1.1 I²C Write Operation Example

5.1.2 Read Operation

Read operation is performed in a manner similar to write operation. The master first generates a start condition and then sends the Device Address and R/W signal. The master will acknowledge each byte as receiving if it desires another byte to be sent. At the end of the transmission, the master will not acknowledge the slave and will then be

free to generate a stop condition to terminate the transmission. The base address register contents are used to determine the location to be read, and once again this address will be increased with each successive read. Because the base address register can only be programmed through a write operation, a general read will require two accesses or a single access with an embedded repeated start to change the direction of transmission.

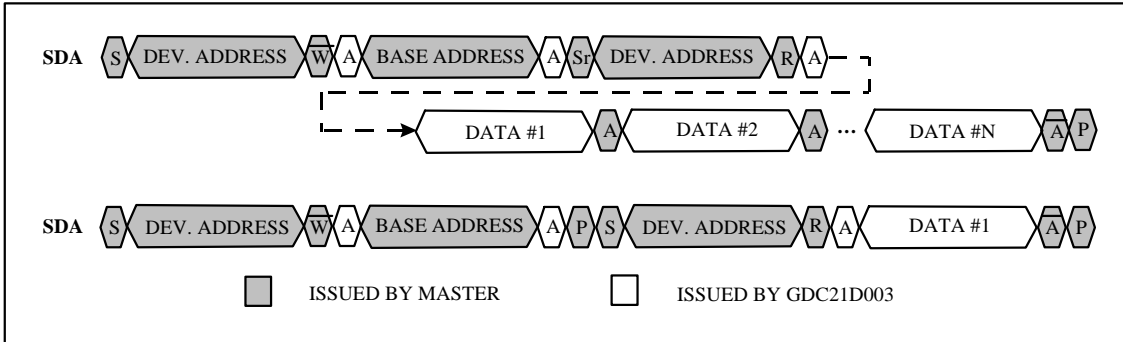


Figure 5.1.2 I²C Read Operation Example

5.2 I²C Bus Register Configuration

Address	DATA BYTE								Initial Value
	D7	D6	D5	D4	D3	D2	D1	D0	
0	Dinmode	Dinsel	ADCCLKSEL	ADCCLKPH	DCbypass	DChold	AGChold	AGCOffsetW	11110000
1	AGCOffset[7:0]								01100000
2	VSBmod[2:0]			" 10010 "					10110010
3	" 11001000 "								11001000
4	" 00 "	PolarityW	Polarity	" 10 "		nSyncLockrst	VSBmodW	00001000	
5	VCXOSEL[1:0]	nCombW	nComb	Combouthalf	NoCombgain[1:0]		" 0 "	00011010	
6	DCvalue[7:0]								
7	X								
8	X	nSyncLock	nSegLock	Combstat	nVSBmodstart	DATAPOLN	nPolLock	nFldLock	
9	X								
10	X	nFrmLock	nVSBLOCK	" 0101 "					XXXX0101
11	X				VSBmodA[2:0]				
12	X								
13	X								
14	X							nCombLock	
15	X								
32	nSyncLockPH	U	U	nCombPH	nSyncLockEQ	nDSsyncEQ	nFsyncEQ	nCombEQ	
33	nFreezePHI2	InitPHI2	PHASmodeIN[1:0]		nFreezeEQI2	InitEQI2	STEPsizeIN[1:0]		10001011
34	EQmodeIN	TRAINmodeIN[1:0]		CombOutHalfIN	nDSadptIN	nEQoutIN	FLTtestIN[1:0]		00010000
35	nIIR16ONIN	nIIRONIN	nAdtOnDataI2	BLIDmodeIN[1:0]		nRingENIN	nCoefRead	nMakeRingIN	10100101
36	PredicIN[1:0]		LoopgainIN[2:0]			nOPERmodeIN	nDNgainIN	nDNgainThIN	11000011
37	TapAddress[7:0]								00000000

Add ress	DATA BYTE								Initial Value	
	D7	D6	D5	D4	D3	D2	D1	D0		
38	WrCoef[11:8]				RdCoef[11:8]				0000XXXX	
39	WrCoef[7:0]								00000000	
40	RdCoef[7:0]									
41	UpdtRngIN[9:8]	MeanErrINE[18:16]				MeanErrOUTE[18:16]				00XXXXXX
42	UpdtRngIN[7:0]								10010000	
43	MeanErrINE[15:8]									
44	MeanErrINE[7:0]									
45	MeanErrOUTE[15:8]									
46	MeanErrOUTE[7:0]									
47	MenErrOUTP[18:16]	UPlimitIN[9:8]		UDlimitIN[9:8]		DCinformRD[8]			XXX0111X	
48	MenErrOUTP [15:8]									
49	MenErrOUTP [7:0]									
50	UPlimitIN[7:0]								00000000	
51	UDlimitIN[7:0]								00000000	
52	DCinformRD[7:0]									
53	U	GAINcnt[2:0]			“ 1101 “					XXXX1101
64	Pase	Viterbi_on	Deint_on	RSdec_on	Derand_on	Errorflag_ins	Vsbdvalid_pol	Vsbclk_sup	11111111	
65	Err_count[7:0]									
66	U	U	U	Data_out_en	X				XXX1XXXX	
67	Err_count[15:8]									
128	“ 0 “	X							0XXXXXXXX	

Where U: unused register bit, X: don't care

5.3 I²C Bus Register Description

Address 0:

7	Dinmode	W	Most significant bit (MSB) inversion control signal of data input (DIN[9:0]). If data input form is unsigned, the MSB of digital data input should be inverted because all of functions in this chip use their complement data. If this bit is set to '1', it indicates the inversion of MSB. Initial value is '1'. (refer to table 6.3.1)
6	Dinsel	W	Digital data input path selection signal. If this bit is set to '1', it indicates output of the internal ADC. Initial value is '1'. (refer to table 6.3.1)
5	ADCCLKSEL	W	ADC Clock Select. When the frequency of VCXO is 2fs(21.52MHz), the output frequency of ADCCLK can be one of the two following frequencies, fs(10.76MHz) and 2fs. If this bit is set to '1', the frequency of ADCCLK is always fs. Initial value is '1'. (refer to table 6.2.1)
4	ADCCLKPH	W	ADC Clock Phase Select. This signal can choose one of the ADCCLK output phases. If this bit is set to '0', the ADCCLK output phase is rotated 180° off with respect to CLKFS phase, and otherwise 0°. Default value is '1'. (refer to table 6.2.1)
3	DCbypass	W	DC remove block bypass (active high). Initial value is '0'.
2	DChold	W	DC remove block hold (active high). Initial value is '0'.
1	AGChold	W	AGC block hold (active high). Initial value is '0'.
0	AGCOffsetW	W	AGC offset write enable (active high). Initial value is '0'.

Address 1:

[7:0]	AGCOffset [7:0]	W	AGC offset value. If AGCOffsetW is set to '1', this signal is used for the reference of AGC block. Default value is "01100000".
-------	--------------------	---	---

Address 2:

[7:5]	VSBmod[2:0]	W	VSB mode signal. If VSBmodW is set to '1', this signal is used for VSB mode signal. Otherwise the VSBmod[2:0] signal is generated internally. Initial value is "101".
[4:0]		W	Initial value is "10010". It would be better set to "10110".

Address 3:

[7:0]		W	Always set to "11001000".
-------	--	---	---------------------------

Address 4:

[7:6]		W	Initial value is "00". It would be better set to "01".
5	PolarityW	W	Polarity signal write enable. If this bit is set to '1', it means write enable. Initial value is '0'.
4	Polarity	W	Polarity signal for polarity control and DATAPOLP/DATAPOLN. If PolarityW is '1', this signal is used for polarity control and the generation of DATAPOLP/DATAPOLN signal output. Otherwise the polarity control block uses internally calculated signal. Initial value is '0'. (refer to table 6.3.2)
[3:2]		W	Always set to "10".
1	nSyncLockrst	W	nSyncLock reset control signal. If this bit is set to '0', nSyncLock signal isn't initialized by the change of VSB mode. Otherwise, nSyncLock signal is initialized and changed to '0' for the next Field sync duration. Initial value is '0'.
0	VSBmodW	W	VSB mode write enable. If this bit is set to '1', it means write enable. Initial value is '0'.

Address 5:

[7:6]	VCXOSEL [1:0]	W	VCXO Selection. These pins should be set as follows according to the output frequency of VCXO. VCXOSEL[1:0] The output frequency of VCXO 00 fs(10.76Mhz) 01 2fs(21.52Mhz) Initial value is "00".
5	nCombW	W	nComb signal write enable. If this bit is set to '1', it means write enable. Initial value is '0'.
4	nComb	W	Comb filter ON/OFF signal. If nCombW are '1', this signal is used for Comb filter ON/OFF signal. Otherwise the Comb filter ON/OFF signal is generated internally. Initial value is '1'.
3	Combouthalf	W	Comb filter output gain selection signal. If this bit is set to '0', the gain of the Comb filter output is 1. Otherwise its gain is 1/2. When Comb filter is activated this signal is valid. Initial value is '1'.
[2:1]	NoCombgain [1:0]	W	NoComb path gain selection signal. The gain is as follows; NoCombgain[1:0] the gain of normal path "00" 1(0dB) "01" 1.125(1.023dB) "10" 1.1875(1.493dB) "11" 1.25(1.938dB) Initial value is "01".
0		W	Always set to '0'.

Address 6:

[7:0]	DCvalue[7:0]	R	Calculated DC value of input data.
-------	--------------	---	------------------------------------

Address 7:

[7:0]		R	don't care
-------	--	---	------------

Address 8:

7		R	don't care
6	nSyncLock	R	Stability Indication of Data Sync Recovery block (active low). If the value of this bit is '0', Data Segment Sync Recovery and Field Sync Recovery blocks are stable.
5	nSegLock	R	Stability Indication of Data Segment Sync Recovery (active low).
4	Combstat	R	Comb filter ON/OFF status. If the value of this bit is '0', it indicates the Comb filter is ON.
3	nVSBmodstart	R	Start indication of VSB mode detector which in the Equalizer. If the value of this bit is '1', it means detector is reset.
2	DATAPOLN	R	Inverted polarity signal of input data.
1	nPolLock	R	Stability Indication of Polarity Decision (active low).
0	nFldLock	R	Stability Indication of Field Sync Recovery (active low).

Address 9:

[7:0]		R	don't care
-------	--	---	------------

Address 10:

[7:6]		R	don't care
5	nFrmLock	R	Stability Indication of inverted/non-inverted Field decision (active low).
4	nVSBLOCK	R	Stability Indication of current VSB mode detection (active low).

Address 11:

[7:3]		R	don't care
[2:0]	VSBmodA[2:0]	R	Internally decided VSB mode.

Address 12, 13:

[7:0]		R	don't care
[7:0]		R	don't care

Address 14:

[7:1]		R	don't care
0	nCombLock	R	Stability Indication of Comb filter ON/OFF decision (active low).

Address 15:

[7:0]		R	don't care
-------	--	---	------------

Address 32 :

7	nSyncLockPH	R	the state of the nSyncLock at the output of Phase Tracker
4	nCombPH	R	indicates whether comb filter is on or not at the output of Phase Tracker
3	nSyncLockEQ	R	the state of the nSyncLock at the output of Equalizer
2	nDSsyncEQ	R	the state of Data Segment Sync at the output of Equalizer
1	nFsyncEQ	R	the state of Field Sync at the output of Equalizer
0	nCombEQ	R	indicates whether Comb filter is on or not at the output of Equalizer

Address 33 :

7	nFreezePHI2	W/R	<p>'0' : Freezes the Phase Tracker in the device, which means phase tracking does not occur. '1' : normal operation If you want to control Phase Tracker fast, use external input pins. Initial value is '1'.</p>
6	InitPHI2	W/R	<p>'1' : Initialize the Phase Tracker in the device. '0' : normal operation If you want to control Phase Tracker fast, use external input pins. Initial value is '0'.</p>
[5:4]	PHASmodeIN [1:0]	W/R	<p>There are three loops in the Phase, which are gain, offset, and phase loop Tracker. 00 : all loops on 01 : offset loop off 10 : offset and gain loops off 11 : all loops off Initial value is "00".</p>
3	nFreezeEQI2	W/R	<p>'0' : Freezes the Equalizer in the device, which means coefficient update does not occur. '1' : normal operation If you want to control Equalizer fast, use external input pins. Initial value is '1'.</p>
2	InitEQI2	W/R	<p>'1' : Initializes the Equalizer in the device. '0' : normal operation If you want to control Equalizer fast, use external input pins. Initial value is '0'.</p>
[1:0]	STEPsizeIN [1:0]	W/R	<p>There are three available step-sizes in the Equalizer. 10,11 : smallest step-size 01 : middle step-size 00 : largest step-size Initial value is "11".</p>

Address 34 :

7	EQmodeTIN	W/R	Updating range of the training sequence. The range value can be changed with combination of these three bits. Initial value is "000".
[6:5]	TRAINmodeIN [1: 0]	W/R	EQmodeTIN is '0' 00 : 574 symbols of field sync are used for equalization. 01 : 637 symbols of field sync are used for equalization. 10 : 700 symbols of field sync are used for equalization. 11 : 820 symbols of field sync are used for equalization. EQmodeTIN is '1' 00 : 574 symbols of field sync are used for equalization. 01 : 637 symbols of field sync are used for equalization. 10,11 : 700 symbols of field sync are used for equalization.
4	CombOutHalfIN	W/R	Comb filter output gain selection signal. '0' : the gain of the Comb filter output is 0 '1' : the gain of the Comb filter output is 1/2 When Comb filter is activated this signal is valid. Initial value is '1'.
3	nDSadptIN	W/R	'0' : uses data segment during equalization. '1' : not uses data segment during equalization. Default value is '0'.
2	nEQoutIN	W/R	'0' : noise removed output from Equalizer '1' : bypassed output Initial value is '0'.
[1:0]	FLTtestIN[1:0]	W/R	The location of center tap can be changed using these two bits. Initial value is "00". 00 : Center tap is 32 nd tap 01 : Center tap is 44 th tap 10 : Center tap is 52 nd tap 11 : Center tap is 60 th tap

Address 35 :

7	nIIR16ONIN	W/R	'0' : feedback filter is on in 16 VSB mode '1' : feedback filter is off Initial value is '1'.
6	nIIRONIN	W/R	'0' : feedback filter is on in 2, 4 and 8 VSB mode '1' : feedback filter is on only in 8 VSB mode Initial value is '0'.
5	nAdtOnDataI2	W/R	'0' : coefficient adaptation during training sequence and data interval '1' : coefficient adaptation during training sequence interval only Initial value is '1'. If you want to control Equalizer fast, use external input pins.
[4:3]	BLNDmodeIN [1:0]	W/R	"00" : does not use blind equalization "01" : uses blind equalization with 4-level data "10", "11" : uses blind equalization with 2-level data Initial value is "00".
2	nRingENIN	W/R	'1' : can not change nMakeRingIN '0' : can change nMakeRingIN Initial value is '1'.
1	nCoefRead	W/R	'0' : read coefficient '1' : write coefficient Initial value is '1'.
0	nMakeRingIN	W/R	'0' : can read and write the coefficients '1' : normal operation Initial value is '1'.

Address 36:

[7:6]	PredicIN[1: 0]	W/R	Determines whether to use slice predictor in Phase Tracker. Initial value is "11". "00" : Slice Prediction is OFF. "01" : not use. "10" : not use. "11" : Slice Prediction is ON.
[5:3]	LOOPgainIN [2 : 0]	W/R	Determines use of automatic gain routine and type of loop gain to be used in Phase Tracker. Initial value is "000". "000" : Automatic gain change. "001" : phase tracker is OFF. "010" : smaller gain. "011" : normal gain. "1xx" : not use.
2	nOPERmodeIN	W/R	Sets the operation mode '0' : -60° ~ 60° '1' : -45° ~ 45° Initial value is '0'.
1	nDNgainIN	W/R	Choose the value of loop gain. Initial value is '1'.
0	nDNgainThIN	W/R	Choose the threshold value of loop gain when gain loop is used in automatic mode. Initial value is '1'.

Address 37:

[7:0]	TapAddress [7: 0]	W/R	Filter tap address in Equalizer. Initial value is "00000000". address 0 to address 63 : feed forward filter address 64 to address 255 : feed back filter
-------	----------------------	-----	--

Address 38:

[7:4]	WrCoef[11: 8]	W/R	Coefficients to write to the Equalizer. Default value is “0000”.
[3:0]	RdCoef[11: 8]	R	Coefficients to be read from the Equalizer filter.

Address 39:

[7:0]	WrCoef[7: 0]	W/R	Coefficients to write to the Equalizer filter. Initial value is “00000000”.
-------	--------------	-----	---

Address 40:

[7:0]	RdCoef[7: 0]	R	Coefficients to be read from the Equalizer filter.
-------	--------------	---	--

Address 41:

[7:6]	UpdtRngIN[9: 8]	W/R	Data range to be updated when nAdtOnDataI2 is ‘0’. Initial value is “00”. This is 10-bit number.
[5:3]	MeanErrINE [18: 16]	R	Mean squared error at the input of equalizer. This is 19-bit number.
[2:1]	MeanErrOUTE[18: 16]	R	Mean squared error at the output of equalizer. This is 19-bit number.

Address 42, 43, 44, 45, 46:

[7:0]	UpdtRngIN[7:0]	W/R	Data range to be updated when nAdtOnDataI2 is set Initial value is “10010000”.
[7:0]	MeanErrINE [15 : 8]	R	Mean squared error at the input of Equalizer
[7:0]	MeanErrINE [7 : 0]	R	
[7:0]	MeanErrOUTE[15: 8]	R	Mean squared error at the output of Equalizer
[7:0]	MeanErrOUTE[7: 0]	R	

Address 47:

[7:5]	MeanErrOUTP [18 : 16]	R	Mean squared error at the output of Phase Tracker. This is 19-bit number.
[4:3]	UPlimitIN [9 : 8]	W/R	10-bit 2’s complementary number and this should be positive number. If error of equalizer is larger than this limit, forces error to zero. Default value is “01”.
[2:1]	UDlimitIN[9 : 8]	W/R	10-bit 2’s complementary number and this should be negative number. If error of equalizer is smaller than this limit, it is forced to be zero. Default value is “11”.
0	DcinformRD[8]	R	Information of DC value. This shows the current DC value in DC reduction.
0	DcinformRD[8]	R	Information of DC value. This shows the current DC value in DC reduction.

Address 48, 49, 50, 51, 52:

[7:0]	MeanErrOUTP[15 : 8]	R	Mean squared error at the output of Phase Tracker
[7:0]	MeanErrOUTP [7:0]	R	
[7:0]	UPlimitIN[7 : 0]	W/R	2's complementary number. If error of Equalizer is larger than this limit, it is forced to be zero. Initial value is "00000000".
[7:0]	UDlimitIN[7 : 0]	W/R	2's complementary number. If error of Equalizer is smaller than this limit, it is forced to be zero. Initial value is "00000000".
[7:0]	DcinformRD [7:0]	R	Information of DC value. This shows the currently DC value in DC reduction.

Address 53:

[6:4]	GAINcnt [2:0]	R	Shows the type of loop gain used in Phase Tracker. These bits are the results of gain loop setting in LOOPgainIN "001" : phase tracker is OFF. "010" : smaller gain is used. "011" : normal gain is used.
[3:0]		W	Always set to "1101".

Address 64:

7	Pase	W	Parallel/serial output selection '1' : parallel '0' : serial If this bit is set to '0', VSBDATA[0] pin is used as serial data output and VSBDATA[7] is used as start bit indicator of a byte. Initial value is '1'.
6	Viterbi_on	W	Viterbi Decoder on/off selection '1' : on '0' : off If this bit is set to '0', hard decision decoding is performed instead of viterbi decoding. Initial value is '1'.
5	Deint_on	W	Deinterleaver on/off selection '1' : on '0' : off If this bit is set to '0', deinterleaver is bypassed. Initial value is '1'.
4	RSdec_on	W	RS Decoder on/off selection '1' : on '0' : off If this bit is set to '0', RS decoder is bypassed. Initial value is '1'.
3	Derand_on	W	Derandomizer on/off selection '1' : on '0' : off If this bit is set to '0', derandomizer is bypassed. Initial value is '1'.
2	Errorflag_ins	W	Error flag bit insertion on/off selection. Valid only when Derand_on is set to '1'. '1' : MSB of first data byte is set to '1' when the packet has an uncorrected errors(when NVSBERRFLG is '0') '0' : nothing is done at the MSB of first data byte although the packet has an uncorrected errors(when NVSBERRFLG is '0') Initial value is '1'.
1	Vsbdvalid_pol	W	VSBDVALID polarity indicator '1' : VSBDATA[7:0] is valid at VSBDVALID = '1' interval and invalid at VSBDVALID = '0' interval. '0' : polarity is inverted Initial value is '1'.
0	Vsbclk_sup	W	VSBDCLK suppression indicator '1' : VSBDCLK is not suppressed at VSBDVALID = "invalid" interval '0' : VSBDCLK is suppressed(set to 0) at VSBDVALID = "invalid" interval Initial value is '1'.

Address 65:

[7:0]	Err_count[7 : 0]	R	Lower 8 bits of Segment error counter output
-------	------------------	---	--

Address 66:

4	Data_out_en	W	Tri-state data out '1' : normal operation '0' : high impedance Initial is '1'.
[3:0]		R	don't care

Address 67:

[7:0]	Err_count[15 : 8]	R	Upper 8 bits of segment error counter output
-------	-------------------	---	--

Address 128

7		W	Always set to '0'.
[6:0]		R	don't care

6. Functional Description

6.1 ADC

The ADC is a 10-bit 10.76Mps analog-to-digital converter. The ADC takes samples of the differential analog input signals at rising clock edge and converts them into digital values. The ADC consists of four main function blocks; SHA block, A/D & D/A block, Correction Logic block, and Output Buffer block. The detailed description is as follows.

The SHA(sample & hold amplifier) block samples the differential analog inputs at rising clock edge. And the following A/D & D/A(sub-A/D converter & multiplying D/A converter) block compares the input signal with the reference voltage and multiplies the residue signal as the determined gain. These processes are repeated in the following stage. The digital outputs are generated at each stage, corrected in the Correction Logic block, and come out through the Output Buffer block. Figure 6.1.1 shows the block diagram of ADC.

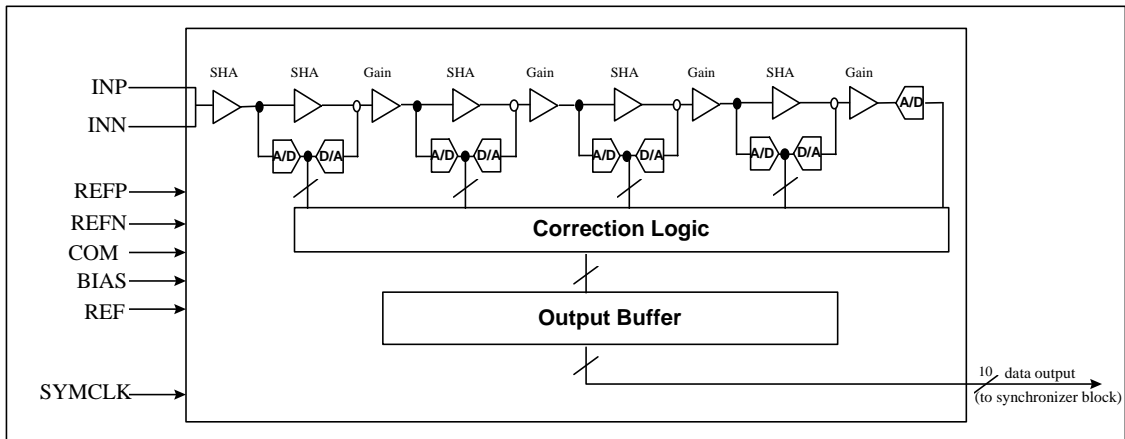


Figure 6.1.1 Block Diagram of ADC

6.1.1 Electrical Characteristics

DC & AC Characteristics

(Temp = 25°C, DVDD = 3.3V, AVDD = 3.3V, COM = 1.5V)

Symbol	Parameters	Conditions	Min.	Typ.	Max.	Measure Value	Unit
INN,INP	Analog Input Voltage	Differential 1.7±0.5	1		2		Vpp
I _{ad}	Normal Operation	F _s = 10.76 Msps Input = 1.7±0.5V			25		mA
INL	Integral Non-Linearity	F _s = 10.76 Msps Input = 1.7±0.5V (F _{in} *=12.2KHz sine)		±4	±6		LSB
DNL	Differential Non-Linearity	F _s = 10.76 Msps Input = 1.7±0.5V (F _{in} =12.2KHz sine)		±1	±2		LSB
SNR	Signal-to-Noise Ratio	F _s = 10.76 Msps F _{in} = 100KHz	44	48			dB
F _s	Sampling Clock Frequency			10.76			MHz
C _i **	Input Pin Capacitance	INP = 1.7V INN = 1.7V		10			pF
R _{ref}	Reference Resistance			12			kΩ
V _{REFP} ***	Reference Top Voltage		2.15	2.2	2.4		V
V _{REFN} ***	Reference Bottom Voltage		1.15	1.2	1.4		V

(NOTE) * F_{in} is input frequency.
 ** C_i = 1pF(pin capacitance) + 5pF(I/O pad capacitance) + 4.5pF(capacitance at the input sampling)
 *** V_{REFP}, V_{REFN} values should be used as a pair.

Analog Input Voltage Level vs. Digital Output Code

Input Voltage Level	Step	MSB	Digital Output Code								LSB
V _{REFP}	1023	1	1	1	1	1	1	1	1	1	1
⋮	⋮										
⋮	512	1	0	0	0	0	0	0	0	0	0
⋮	511	0	1	1	1	1	1	1	1	1	1
⋮	⋮										
⋮	0	0	0	0	0	0	0	0	0	0	0
V _{REFN}	0	0	0	0	0	0	0	0	0	0	0

Recommended Operating Range

SYMBOL	PARAMETERS	MIN	MAX	MEASURED VALUE	UNIT
AVDD	Power Supply	3.15	3.45		V
DGND-AGND*		0	100		mV
REFP	Reference Top Voltage	2.15	2.4		V
REFN	Reference Bottom Voltage	1.15	1.4		V
R _{DT}	Clock Duty Ratio	40	60		%

(NOTE) * The difference between analog ground and digital ground should be less than 100 mV

6.1.2 Timing Diagram

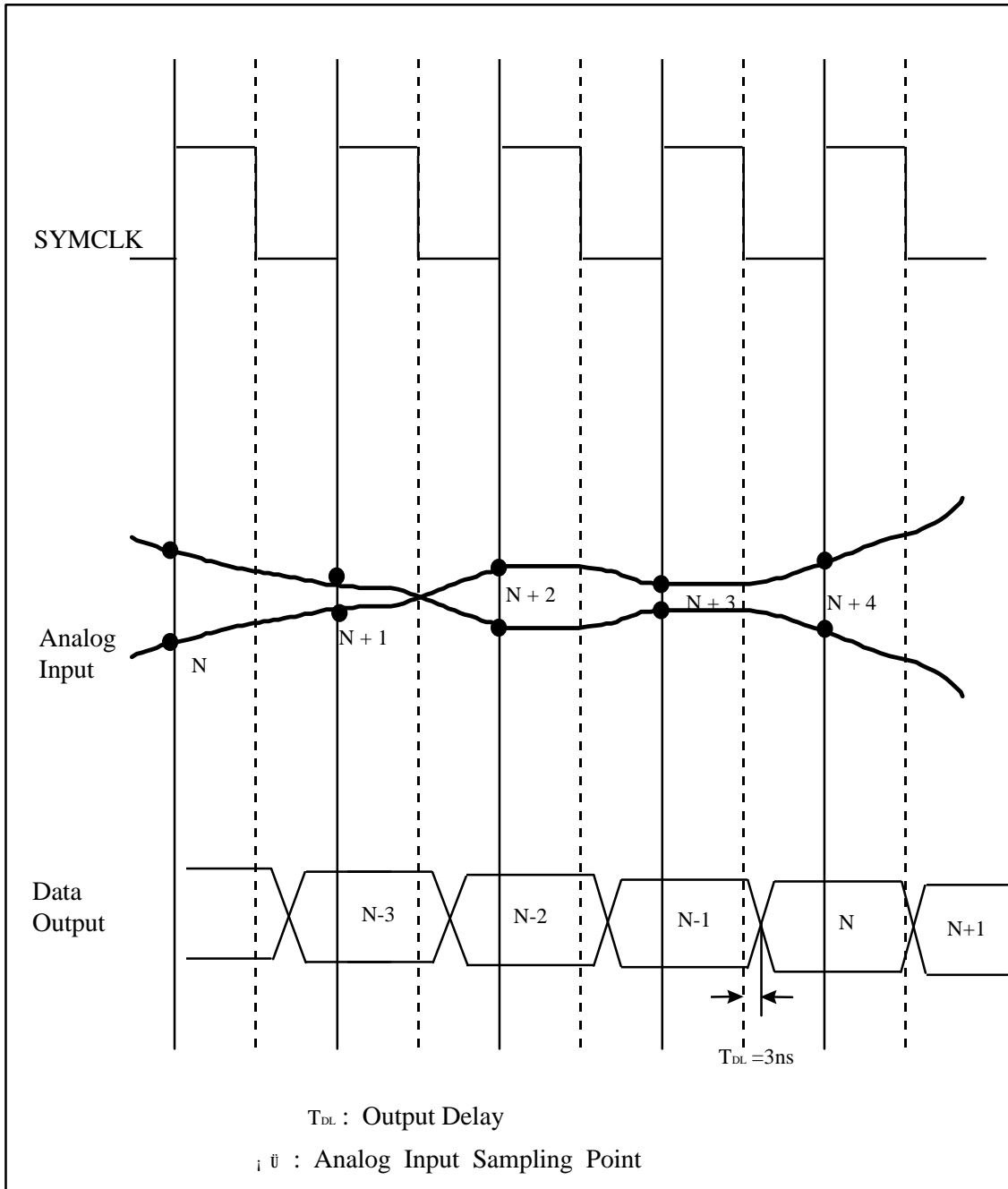


Figure 6.1.2 Timing Diagram of ADC

6.1.3 Application Circuits

Application Circuits

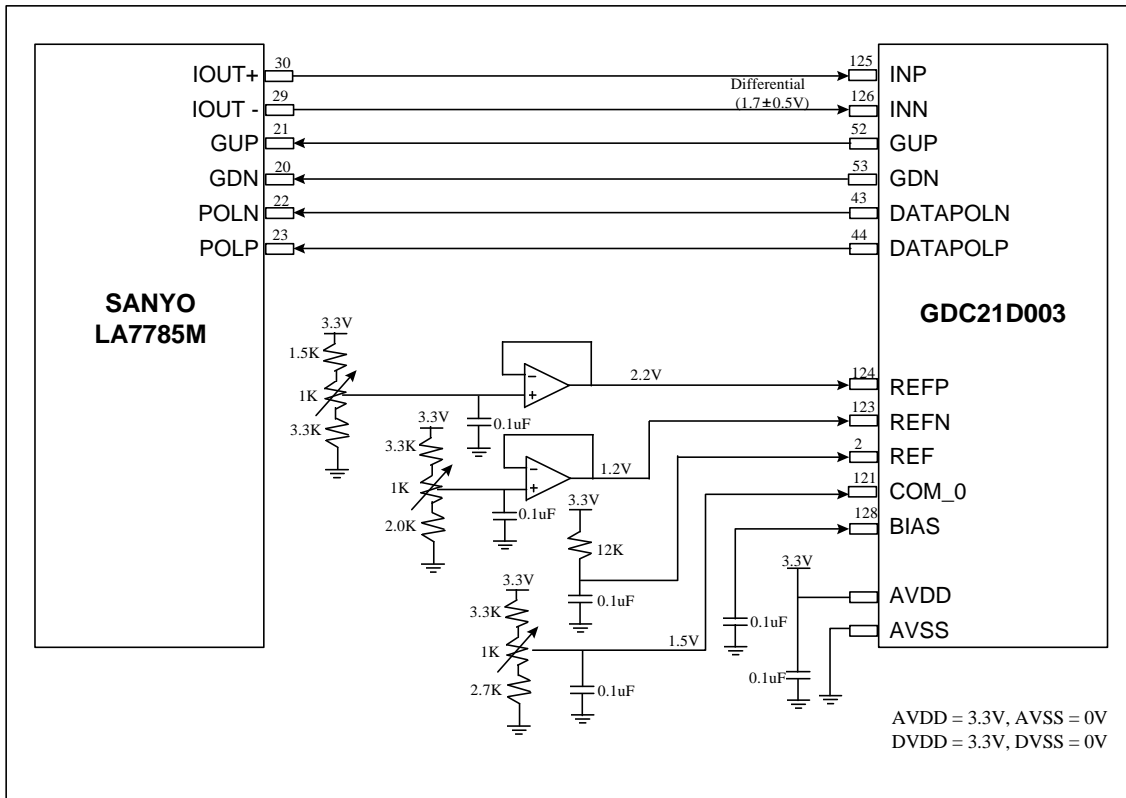


Figure 6.1.3 ADC Application Circuit

Equivalent Circuits for Bias and Input Pins

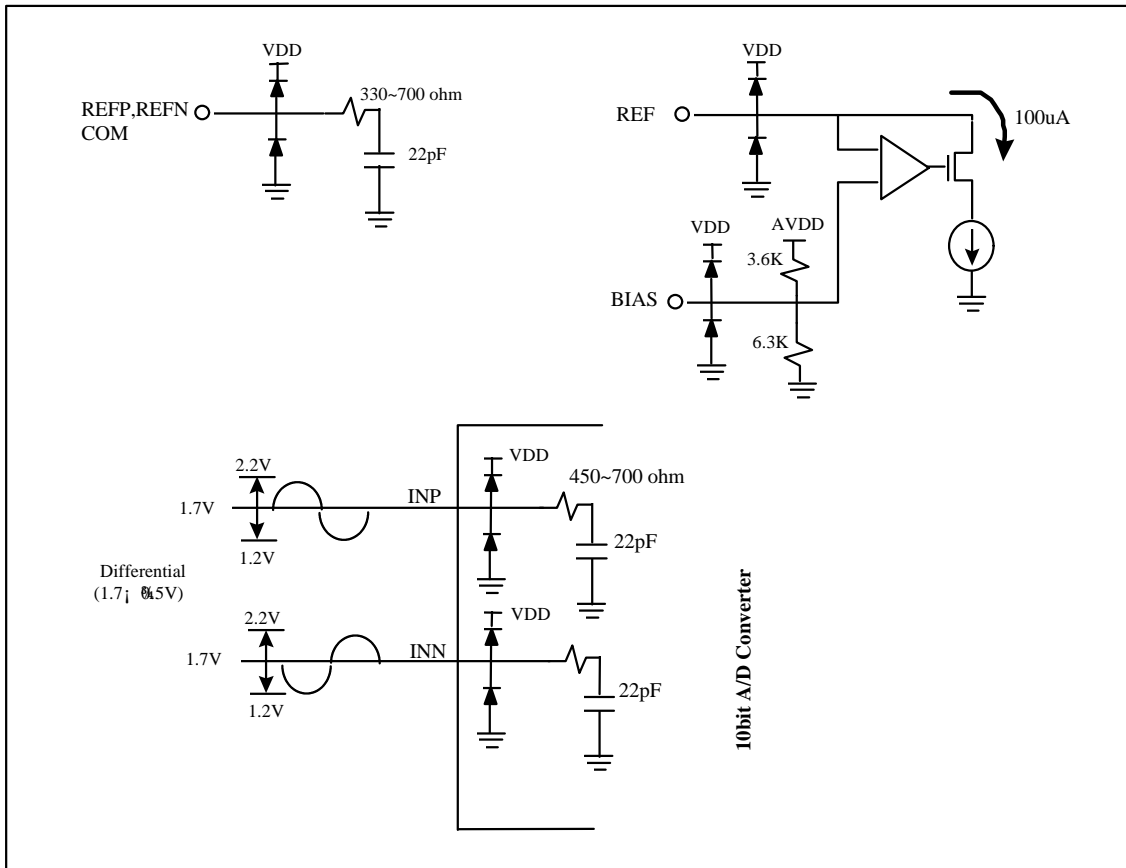


Figure 6.1.4 Equivalent Circuits

6.2 Clock Divider

VSB receiver(GDC21D003) can use external VCXO which outputs symbol frequency and its multiple frequency because it has internal clock divider. Multiples can be 2 times. Also, this block has 2 output signals, CLKFS and ADCCLK. CLKFS is used as symbol clock for DTV transmitter, ADCCLK is used as A/D converter's clock when external A/D converter is used for

digital input. The phase of ADCCLK against CLKFS can vary through I²C bus. When external VCXO output frequency is 2 times(21.52MHz) of symbol frequency, the output frequency of ADCCLK signal becomes the same as symbol frequency(10.76MHz) or 2 times of symbol frequency(21.52MH).

ADCCLK should be set through I²C bus according to output frequency of external VCXO. The setting of each case is described in following tale 6.2.1.

Table 6.2.1 Register Setting for Clock Divider

Frequency of external VCXO	VCXOSEL[1:0] (in I ² C bus register5)	ADCCLKPH (in I ² C bus register0)	ADCCLKSEL (I ² C bus register0)	ADCCLK (phase regarding CLKFS)	CLKFS
10.76MHz	"00"	'0'	'0'	10.76MHz (phase: 180°)	10.76MHz
10.76MHz	"00"	'0'	'1'	10.76MHz (phase: 180°)	10.76MHz
10.76MHz	"00"	'1'	'0'	10.76MHz (phase: 0°)	10.76MHz
10.76MHz	"00"	'1'	'1'	10.76MHz (phase: 0°)	10.76MHz
21.52MHz	"01"	'0'	'0'	21.52MHz (phase: 180°)	10.76MHz
21.52MHz	"01"	'0'	'1'	10.76MHz (phase: 180°)	10.76MHz
21.52MHz	"01"	'1'	'0'	21.52MHz (phase: 0°)	10.76MHz
21.52MHz	"01"	'1'	'1'	10.76MHz (phase: 0°)	10.76MHz

6.3 Synchronizer

6.3.1 Input Control

VSB receiver(GDC21D003) use 10bits signal generated in internal A/D converter or

10bits(DIN[9:0]) external data input to perform digital processing. Therefore, the data input path must be set according to input before digital processing.

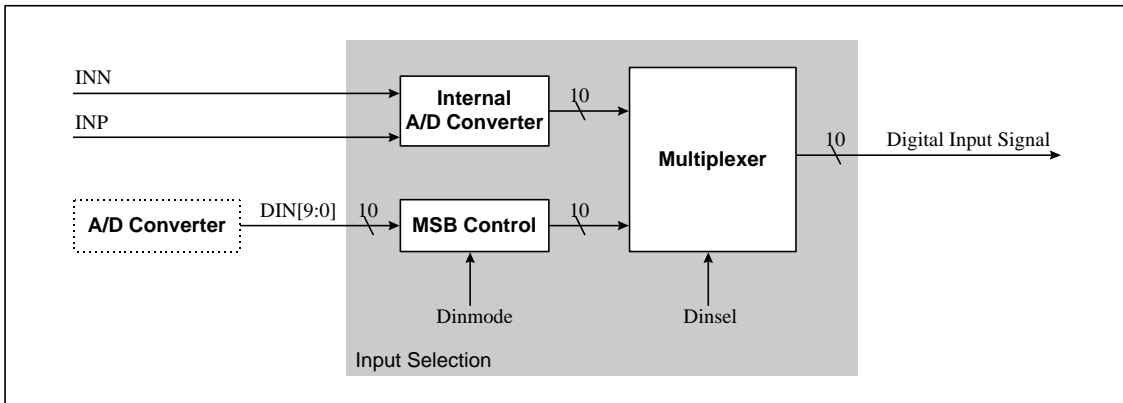


Figure 6.3.1 The Block Diagram of Input Selection

Figure 6.3.1 is internal block diagram of Input Selection. You have to choose either the output of internal A/D converter or that of external A/D converter as digital input signal (Dinsel). If you decide to use the output of external one,

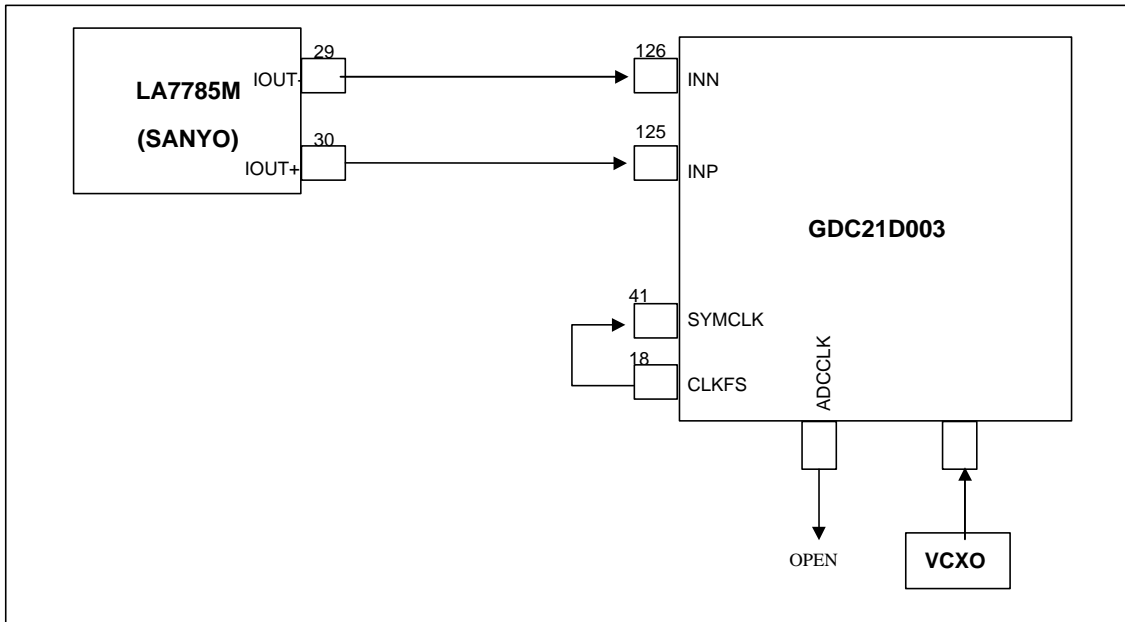
MSB(DIN[9]) of 10bits input (DIN[9:0]) should be set according to its output characteristics(Dinmode). Setting of Dinsel and Dinmode is performed through I²C bus and it is as following Table 6.3.1.

Table 6.3.1 Input Signal Path Setting

Input signal path	Dinmode (in I ² C bus register0)	Dinsel (in I ² C bus register0)
From internal A/D converter	Don't care	'1'
From DIN[9:0] (Signed signal)	'0'	'0'
From DIN[9:0] (Unsigned signal)	'1'	'0'

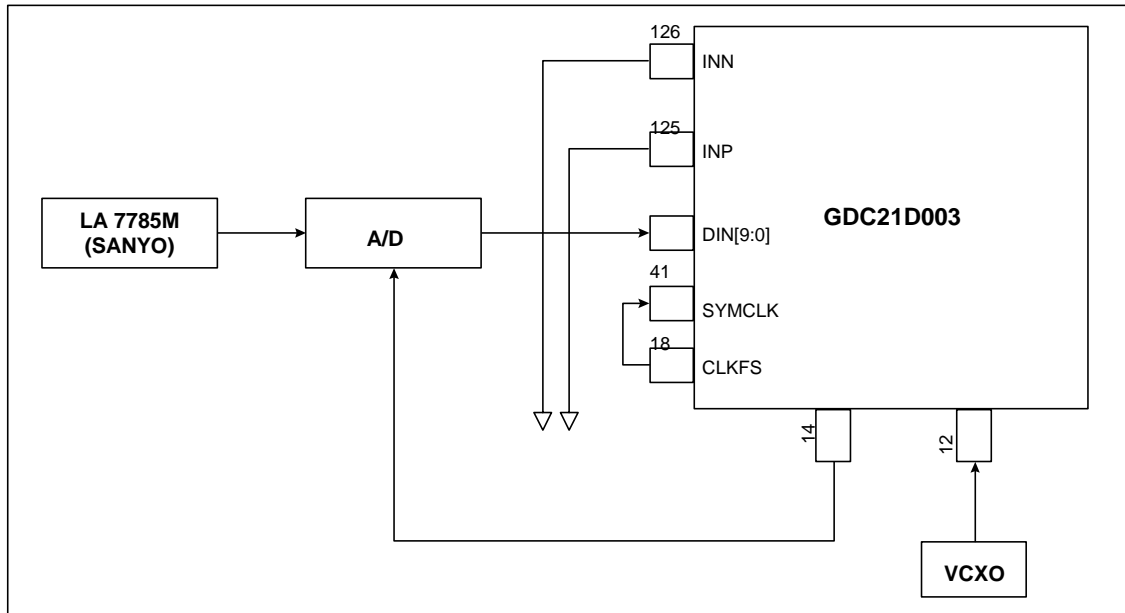
Figure 6.3.2 shows the relationship between chip and external device in case that internal ADC output is used for digital processing. Figure 6.3.3 shows the relationship between chip and external

device in case that ADC digital output is used for on-chip digital processing with using other external ADC instead of using internal ADC.



- (NOTE)
- Regarding external VCXO output frequency, VCXOSEL[1:0] should be set as Table 6.2.1.
 - Since internal ADC is used, peripheral circuit should be set according to ADC.
 - Digital input signal path should be set as Table 6.3.1 to use internal ADC.
 - If VCXO output frequency is equal to symbol frequency, VCXO(pin12) can be connected to GND, and SYMCLK(pin41) and VCXO output can be connected directly.

Figure 6.3.2 I/F Circuit Diagram between VSB Receiver & Demodulator (Internal A/D Input)



- (NOTE)** - Regarding external VCXO output frequency, VCXOSEL[1:0] should be set as Table 6.2.1.
 - Since internal ADC is used, frequency and phase of ADCCLK that is its input clock should be set as Table 6.2.1.
 - Digital input signal path should be set as Table 6.3.1 to use external ADC output.
 - If VCXO output frequency is equal to symbol frequency, VCXO(pin12) can be connected to GND, and SYMCLK(pin41), A/D clock, and VCXO output can be connected directly.

Figure 6.3.3 I/F Circuit Diagram between VSB Receiver & Demodulator (External A/D Input)

6.3.2 DC Reduction

Current DTV transmission system uses pilot for restoration of carrier signal. Inserted DC value at transmitter is transformed into pilot in frequency domain. In receiver, A/D is used to convert

baseband analog signal that completed the demodulation of RF signal into digital signal, A/D output has the same DC value inserted from transmitter. Also DC components arise through various analog processing.

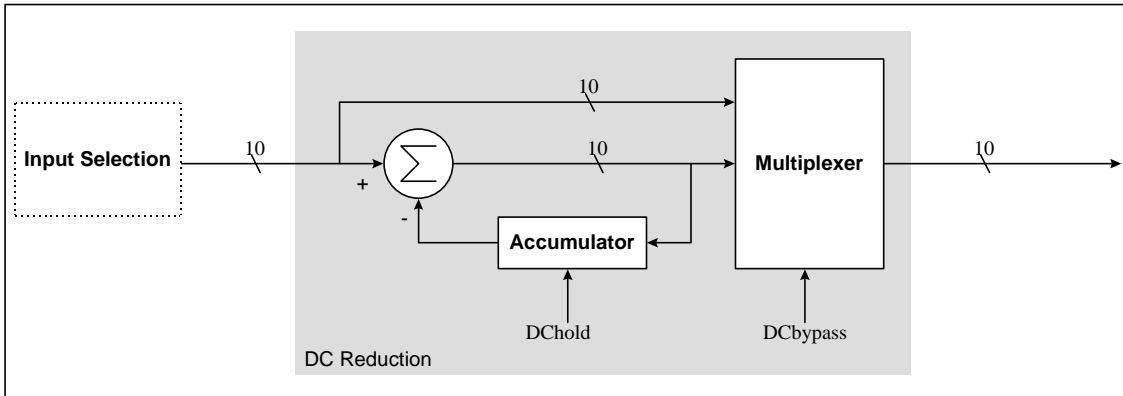


Figure 6.3.4 The Block Diagram of DC Reduction

Figure 6.3.4 is block diagram of DC Reduction. Output of Input Selection is sent to DC Reduction block and removes pilot as well as all DCs in analog system. And DC value is calculated from all data of input signal.

Through I²C bus this block can be bypassed and DC value doesn't be updated from current state. Among I²C bus control signals, if DC bypass signal(in I²C bus register0) is '0', DC removed signal is output, and if it is '1', input signal is bypassed and output. Also, when DChold signal(in I²C bus register0) is '0', DC value is calculated using continuously input signals, when it is '1', DC value at the moment is saved without updating DC value. Calculated DC value can be read through I²C bus. (DCvalue[7:0] in I²C bus register address6)

6.3.3 Auto Gain Control(AGC)

There are 2 AGC modes currently used, one is Non-coherent AGC mode and the other is Coherent AGC mode. Figure 6.3.5 is the block diagram of

AGC. Non-coherent AGC mode is performed during initialization state and before finding the Data Segment Sync interval in receiver. During initialization state, it increases Gain continuously to take the maximum value.(GUP = '1' during initialization state). Also, since at the moment of reset completion, received signal has the maximum gain, it is highly possible that A/D converter output has either maximum or minimum value. A/D converter output can also have either maximum or minimum value from too much noise within channel. When input signal value has maximum/minimum value for 8 symbols in a row, control signal (GDN = '1' during 2 symbols) is generated to reduce system gain. Non-coherent AGC mode doesn't stop before it finds timing of Data Segment Sync signal. Coherent AGC mode calculates the average of input signals and controls the GUP/GDN signal so that this average value can have the desired value.

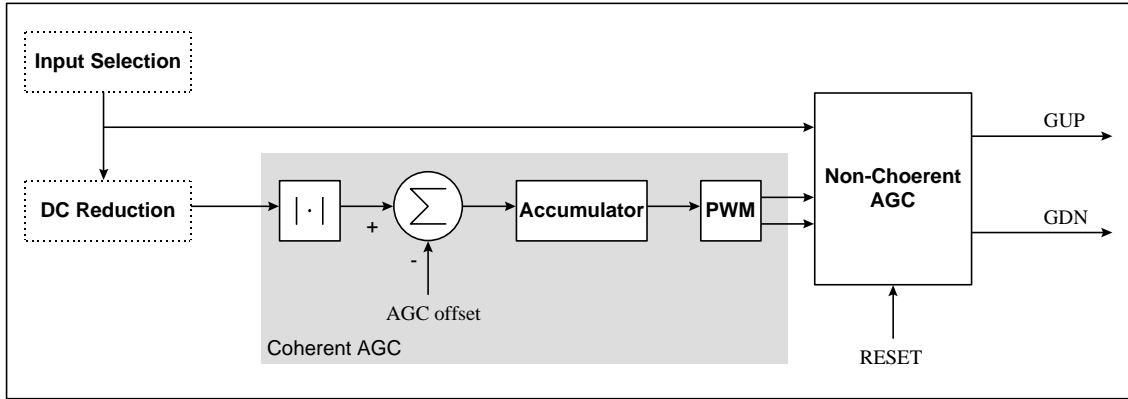
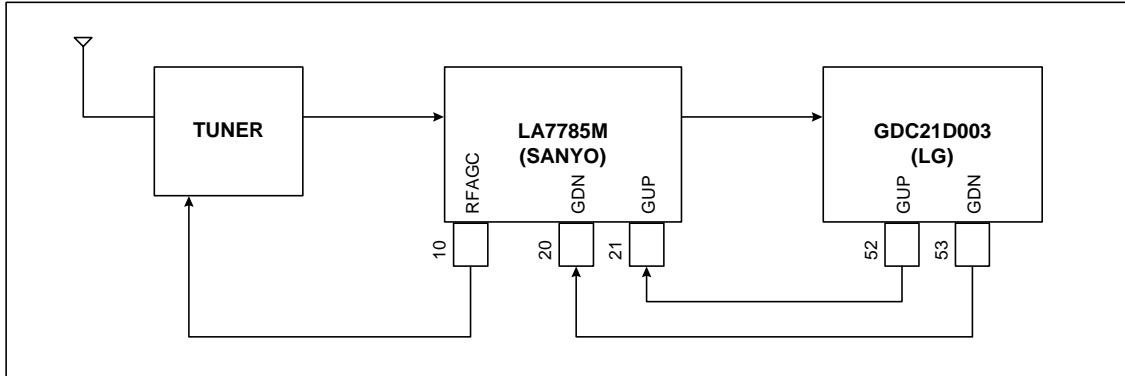


Figure 6.3.5 The Block Diagram of AGC

GUP/GDN signal is transmitted to off-chip demodulator and controls the gain of Tuner and demodulator.

Through I²C bus, AGC block can be held (When AGChold signal in register0 is '1'). And for input data to have desired optimum value, Coherent AGC uses reference value which can be input through I²C bus (AGCOffset[7:0] in I²C bus

register1) or can use already defined value. If you want to change Coherent AGC reference value through I²C bus, AGCOffset[7:0] (in I²C bus register1) value should be set and AGCOffsetW (in register0) signal should be set to '1'. If AGCOffsetW signal is '0', already defined value is used as a reference value. Figure 6.6 shows the connection of chip output, GUP/GDN signal.



(NOTE) RFAGC signal, an input signal to Tuner should be connected referring to LA7785M.

Figure 6.3.6 AGC Signal I/F for DTV System

6.3.4 Polarity Correction

For currently used demodulator algorithm, FPLL (Frequency & Phase Locked Loop) is used. Due to FPLL algorithm's property, demodulator (carrier recovery) lock can occur in 0° phase (in

phase) or 180° phase (out of phase). When carrier is locked in 0° phase, there is no problem, but when carrier is locked in 180° phase, polarity of baseband data are all inverted. In this case, input data polarity should be reverted.

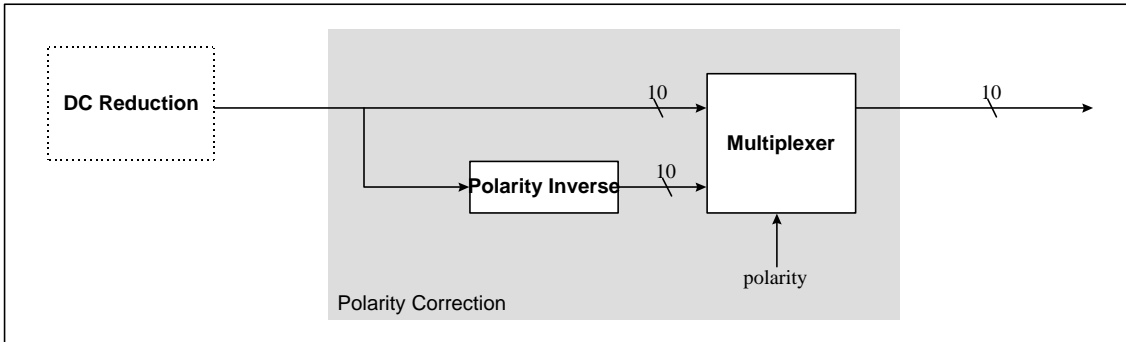


Fig 6.3.7 The Block Diagram of Polarity Correction

Figure 6.3.7 is Polarity Correction block diagram. Output signal polarity is corrected by control of polarity from Polarity Decision block.

6.3.5 Data Segment Sync Recovery

At DTV transmitter part Data Segment Sync is inserted for 4-symbol period in every Data Segment. This Data Segment Sync has (1,0,0,1) pattern.

DTV receiver compares inputted signal pattern with Data Segment Sync pattern (1, 0, 0, 1) inputted from transmitter and acknowledges the most similar pattern as Data Segment Sync interval. But because the inputted signal at the beginning of activation has polarity ambiguity generated by FPLL, inverted polarity pattern of Data Segment Sync (1, 0, 0, 1) from transmitter is acknowledged as Data Segment Sync interval. After completion of

initial Data Segment Sync detection, input signal polarity is detected from Polarity Decision block at the end. Also after polarity correction in Polarity Correction block, only positive polarity is acknowledged as Data Segment Sync interval. And Data Segment Sync detection becomes easier under close Ghost environment by improving its performance. Figure 6.3.8 shows the improved Data Segment Sync Recovery block diagram. At first input signal is integrated by the segment passing through Segment Correlator. Slicer extracts the information of Data Segment Sync interval from output of integration period. This information undergoes its reliability check in Confidence Counter and then creates Data Segment Sync. When reliability builds up to some level, nSegLock signal is generated to inform the completion of Data Segment Sync Recovery. This signal can read through I²C bus(nSegLock in I²C bus register8).

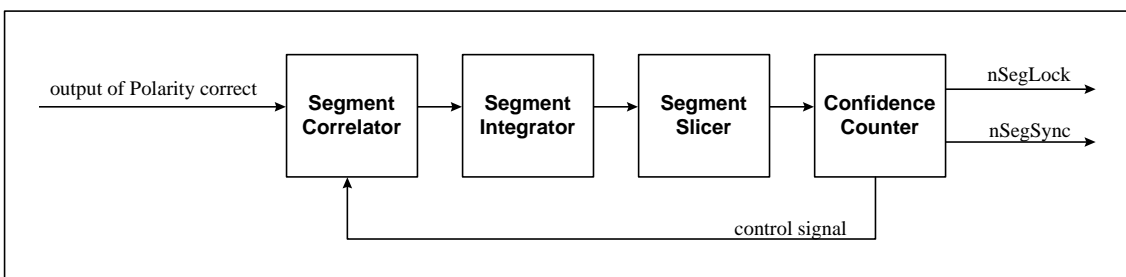


Figure 6.3.8 The Block Diagram of Data Segment Sync Recovery

If Data Segment Sync is found in this block, input polarity is detected in the Polarity Decision block and Timing Recovery block sets SEGSYNLOCK

signal to '1' which informs the start of activation (Timing recovery start status). This signal is '0' until it finds Data Segment Sync.

6.3.6 Polarity Decision

It decides input signal polarity after it finds Data Segment Sync timing input from transmitter and checks Data Segment Sync pattern. Data Segment Sync pattern input from transmitter is (1,0,0,1). Therefore when Data Segment Sync pattern of transmitted signal is (1,0,0,1), baseband signal has positive polarity, and when (0,1,1,0), it has negative polarity. In this block, input Data Segment Sync pattern is checked and output signal is

generated by this result. Then it is sent to internal Polarity Correction and demodulator. Also, regardless of inputted Data Segment Sync pattern, through I²C bus, DATAPOLP and DATAPOLN are decided. The output of Polarity Decision, DAPOLP and DATAPOLN are shown in Table 6.3.2. On the other hand, DATAPOLN signal can be read through I²C bus.(DATAPOLN in I²C bus register8) Figure 6.3.9 describes the connection of DATAPOLP & DATAPOLN which is output of chip and Demodulator chip.

Table 6.3.2 DATAPOLP & DATAPOLN Output

			DATAPOLP	DATAPOLN
Before Data Segment Sync Lock		Positive polarity	'0'	'0'
		Negative polarity	'0'	'0'
After Data Segment Sync Lock	PolarityW : '0' (I ² C bus register4)	Positive polarity	'1'	'0'
		Negative polarity	'0'	'1'
	PolarityW : '1' (I ² C bus register4)	Polarity : '0' (I ² C bus register4)	'1'	'0'
		Polarity : '1' (I ² C bus register4)	'0'	'1'

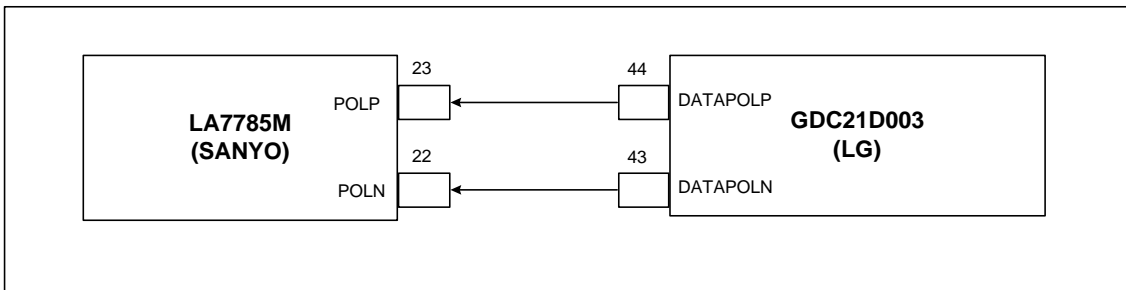


Figure 6.3.9 Polarity Signal I/F Circuit

6.3.7 Timing Recovery

In current DTV system, timing information is extracted from inputted Data Segment Sync signal and the clock used for digital processing and A/D. Timing Recovery structure used in this chip is similar to typical PLL structure. PLL generally

consists of phase detector, loop filter, and VCO(VCXO). In this chip, Timing Recovery is consisted of internal Digital Phase Detector, external analog device, Charge Pump, Loop Filter and VCXO. Figure 6.3.10 is Timing Recovery block diagram.

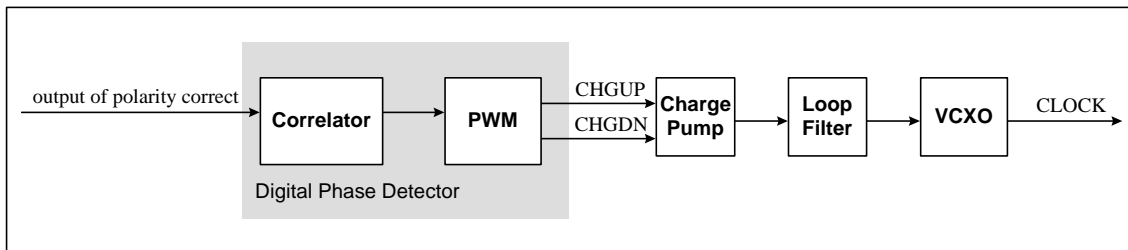
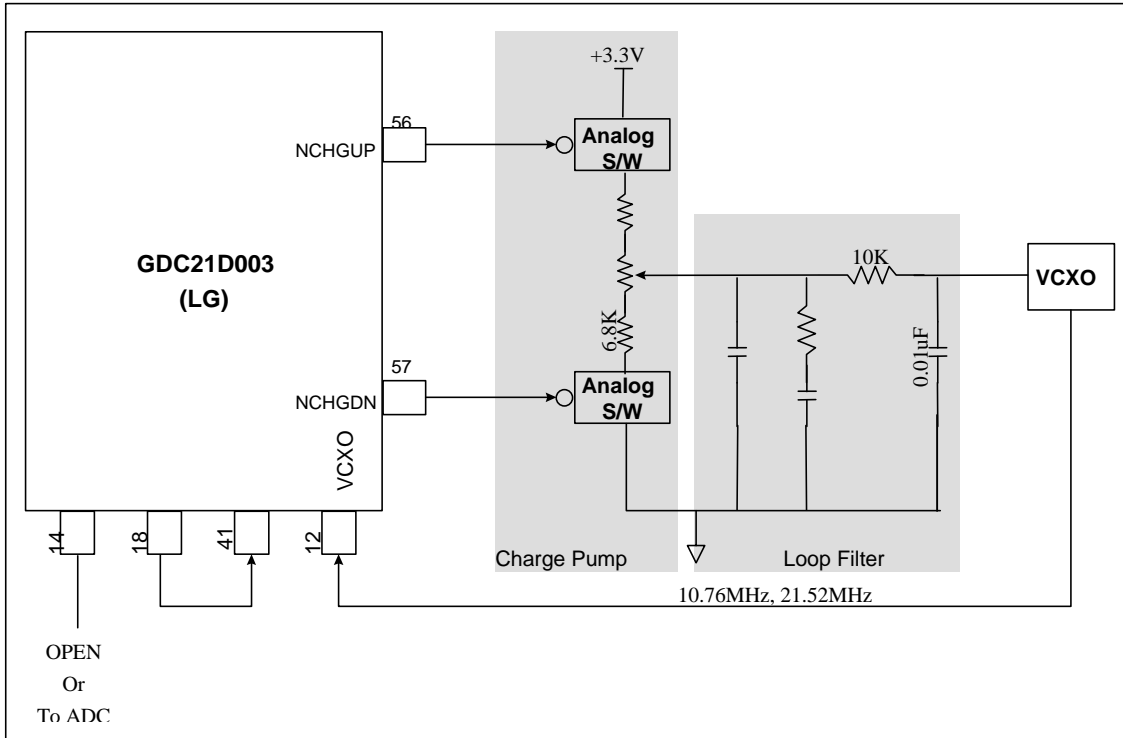


Figure 6.3.10 Timing Recovery Block

On-chip Phase Detector extracts phase information only in Data Segment Sync interval, and it is activated after finding Data Segment Sync interval inserted in transmitter. SEGSYNLOCK(PIN46) shows whether Data Segment Sync is found or not. If this signal is '0', Data Segment Sync isn't found, if this is '1', it is found. Phase detector uses filter whose coefficient is (-1,-1,1,1) because it uses Data Segment Sync pattern(1,0,0,1) to get phase information. Phase

information is converted again to PWM signal and output from chip(NCHGUP/ NCHGDN). While SEGSYNLOCK signal is '0', NCHGUP/NCHGDN signal outputs are all '0'. In this time, external Charge Pump is charged to free-run voltage of VCXO. When SEGSYNLOCK signal is changed to '1', NCHGUP/NCHGDN signals are all changed to '1', and once per every Data Segment, charge of external Charge Pump is charged up and down.

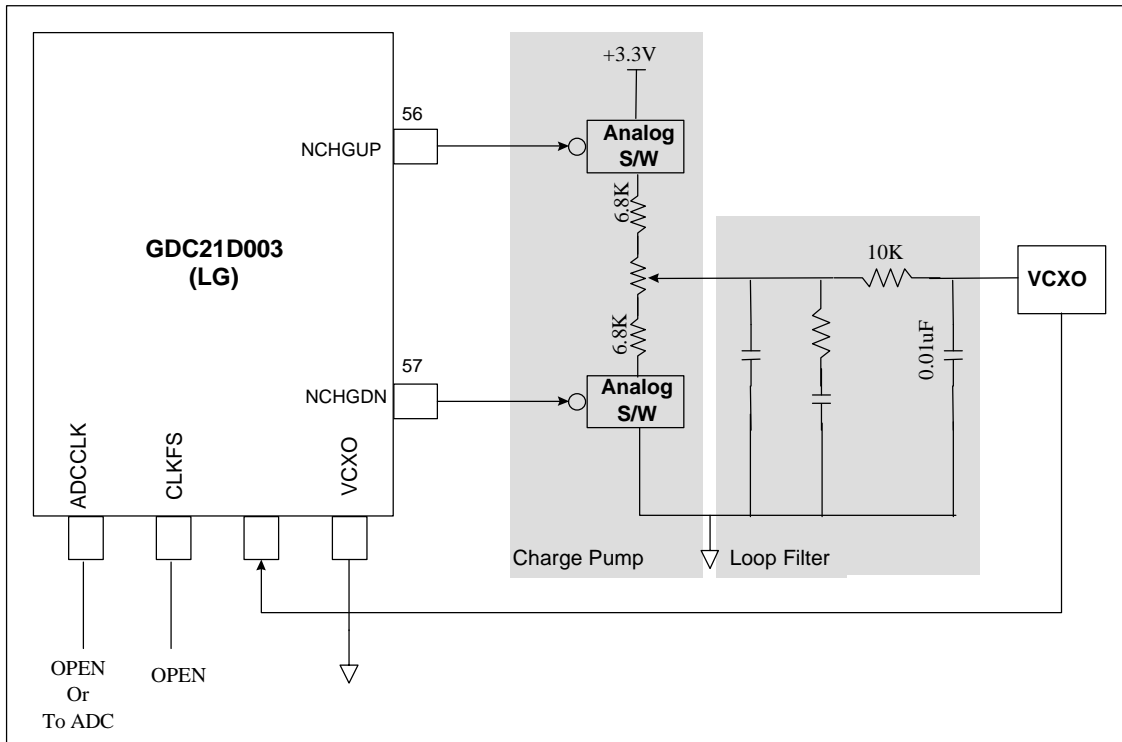


- (NOTE)** - Regarding external VCXO output frequency, VCXOSEL[1:0] should be set as Table 6.2.1.
 - In case of using digital input by external ADC, ADCCLK frequency and CLKFS phase should be set as Table 6.2.1.
 - Each discrete device value in figure is just recommended value.
 - PNP type transistor can be used instead of Analog S/W.

Figure 6.3.11 Timing Recovery I/F Circuit(1)

Phase information from chip passes through Charge Pump and is input to Loop Filter. Loop Filter output is connected to VCXO to control clock phase. Figure 6.3.11 shows the connection diagram when external VCXO output frequency is

equal to 1 and 2 times output frequency of symbol frequency. And Figure 6.3.12 shows the connection diagram when external VCXO output frequency is equal to that of symbol frequency.



- (NOTE)** - ADCCLK frequency and CLKFS phase should be set as Table 6.2.1 when digital input using external ADC is used.
- Each discrete device value in this figure is just recommended value.
 - Analog S/W should be ON when input signal (NCHGUP/NCHGDN) is '0'.
 - PNP type transistor can be used instead of Analog S/W.

Figure 6.3.12 Timing Recovery I/F Circuit(2)

6.3.8 Field Sync Recovery

Transmitter inserts 1 Data Segment long Field Sync every 313th segment. Inserted Field Sync structure is described in Figure 6.3.13. Field Sync is found

using PN511 as shown in Figure 6.3.13. Cause pattern of PN511 input from transmitter is already acknowledged, by comparing with transmitted signal, the interval having the most similar pattern is acknowledged as Field Sync interval.

Segment sync (4 symbols)	PN511 (511 symbols)	PN63 (63 symbols)	PN63* (63 symbols)	PN63 (63 symbols)	VSB mode (24 symbols)	reserved (92 symbols)	12 symbol data (12 symbols)
-----------------------------	------------------------	----------------------	-----------------------	----------------------	--------------------------	--------------------------	--------------------------------

Figure 6.3.13 Field Sync Structure

Among three PN63 signals exceptionally the second one changes its polarity in every Field. Equalizer uses this data interval, so polarity information(FOE : pin number 66) should be detected. This polarity information detection starts

after finding Field Sync. Used algorithm is similar to that of Field Sync case. If the second PN63 phase is the same as others, FOE signal outputs '0', otherwise it outputs '1'.

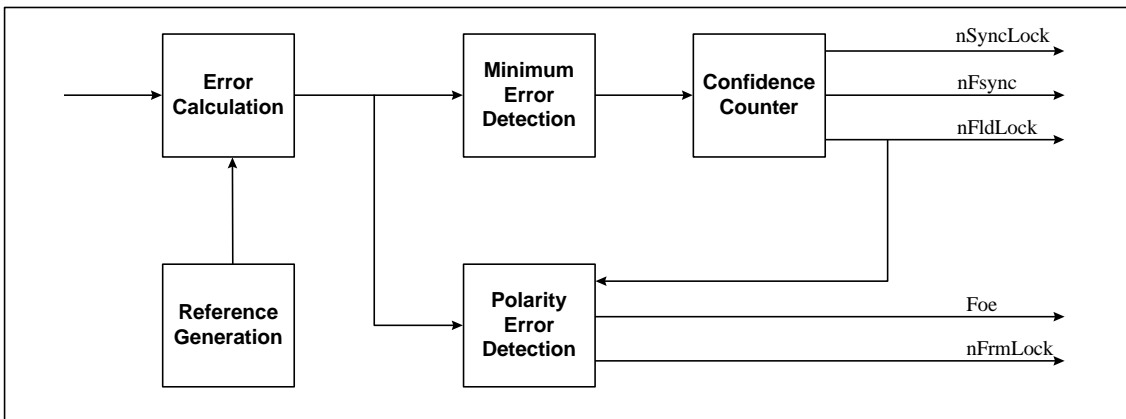


Figure 6.3.14 The Block Diagram of Field Sync Recovery

Figure 6.3.14 is the block diagram of Field Sync Recovery. Input signal calculates error value by the Data Segment, comparing with Reference Generation output. Among these error values, the smallest Data Segment is acknowledged as Field Sync interval, Confidence Counter checks its confidence and generates Field Sync. And after finding Field Sync it detects Polarity Error of the

second PN63 interval in Error Calculation output and generates Foe signal.

Field Sync Recovery generates nVSBmodstart(in I²C bus register8) and nSyncLock(in I²C bus register8) signal. nVSBmodstart signal is used as initialization signal of VSB Mode Detect block. When this signal is '1', it means the initialization state, when it is '0', it means the operation state.

This signal is changed to '0' after detection of the Field Sync signal. Then VSB Mode Detect is activated. nSyncLock signal is used for initialization of NTSC Rejection, Equalizer, Phase Tracker, and Channel Decoder(FEC). If this signal is '1', it means the initialization state, if it is '0', it means the operation state. This signal is changed to '0' after detection of the Field Sync signal and FOE signal. If detected VSB mode from VSB mode detect is different from existing one, NTSC Rejection, Equalizer, Phase Tracker, and Channel Decoder(FEC) are operated in new VSB mode. But since Equalizer and Phase Tracker are consisted of lots of feed back loops, these 2 blocks operated in existing VSB mode can be invalid when they suddenly should be operated on new VSB mode. In this case, nSyncLock signal can initialize again these blocks for normal operation, which may bring the increase of system Lock up time. These 2 cases have trade-off respectively that nSyncLock signal can be initialized through nSyncLockrst(in I²C bus register4) signal or not on the change of VSB mode. If nSyncLockrst signal is '0', it isn't initialized on every change of VSB mode, if it's '1', it is initialized.

6.3.9 VSB Mode Detect

After Field Sync Recovery completed, VSB mode of current transmitted signal should be searched. There are 6 types of VSB mode suggested till now, they are ATSC(terrestrial) 8 VSB, ATSC 16VSB, MMDS(cable) 2VSB, MMDS 4 VSB, MMDS 8VSB, and MMDS 16 VSB. But as ATSC 16VSB and MMDS 16VSB are identical, in fact there are 5 VSB modes. Field Sync in figure 6.3.13 has the information of current transmitted VSB mode. 24-symbol VSB Mode signal is detected in field Sync interval of input signal and VSB Mode is generated. VSB mode data on each mode is shown in Table 6.3.3. Among VSB mode data, bold letter number is original VSB mode signal, and italic is derivative signal. Mode signal of MMDS 16 VSB and ATSC 16 VSB mode signal can use "100" and "001", but in this chip output is always "100" regardless of input.

Table 6.3.3 VSB Mode Data for each VSB Mode

VSB Mode	VSB Mode Data
MMDS 2 VSB	<i>"000011110000111100001111"</i>
MMDS 4 VSB	<i>"00001111000011110010110"</i>
MMDS 8 VSB	<i>"00001111000011110100101"</i>
MMDS 16 VSB/ATSC 16VSB	<i>"00001111000011111000011"</i> <i>(<i>"000011110000111100111100"</i>)</i>
ATSC 8 VSB	<i>"00001010010111110101010"</i>

VSB Mode Detect block can be variously controlled through I²C bus. And internally detected VSB mode can be read through I²C bus.

(VSBmodA[2:0] : in I²C bus register11) Table 6.3.4 shows the creation of VSB mode signal through I²C bus.

Table 6.3.4 VSB Mode Signal Control

N12CEN (pin number 39)	VSBmodW (in I ² C bus register4)	VSBmod[2:0] (in I ² C bus register2)	VSB Mode
'1'	don't care	don't care	ATSC 8VSB("101")
'0'	'1'	VSBmod[2:0]	VSB mod[2:0]
'0'	'0'	don't care	Internally detected VSB mode

6.3.10 NTSC Rejection

In the beginning of HDTV broadcasting, it will be serviced with conventional NTSC broadcasting. But in case that NTSC broadcasting exists in the same channel where HDTV broadcasting is on the air, at the HDTV signal's point of view NTSC

signal is interference. This interference is called as co-channel interference. 3 carrier signals contained in this co-channel interference can be removed by using Comb Filter shown in Figure 6.3.15, but should be checked first if there is co-channel interference in current channel.

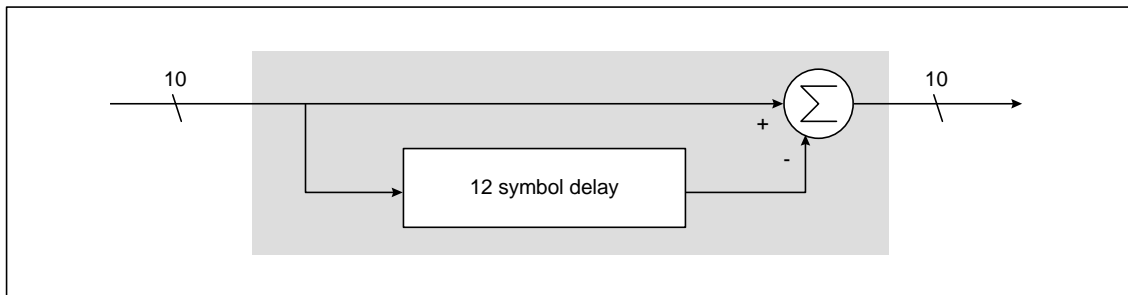


Figure 6.3.15 Comb Filter Block

Figure 6.3.16 is the block diagram of NTSC Rejection. PN511 signal section contained in Field Sync helps to get MSE(Mean Square Error). Difference(error) of input signal and reference signal generated in Reference Generator is summed during PN511 signal section and difference(error) of input signal passed through Comb Filter and reference signal passed through Comb Filter is summed during PN511 section. These sums of signal difference(error) are compared and the smaller one is selected. The SNR of signal passed through Comb Filter is decreased to 3dB low.

Therefore, if input signal has no co-channel interference, the sum of error without passed through Comb Filter is always smaller than the other one that Comb Filter isn't used. But if co-channel interference exists on channel, even though the SNR of signal passed through Comb Filter is 3dB low, 3 carriers by co-channel interference are removed. Therefore the signal passed through Comb Filter has smaller sum than signal without passed through Comb Filter and it is output as a result.

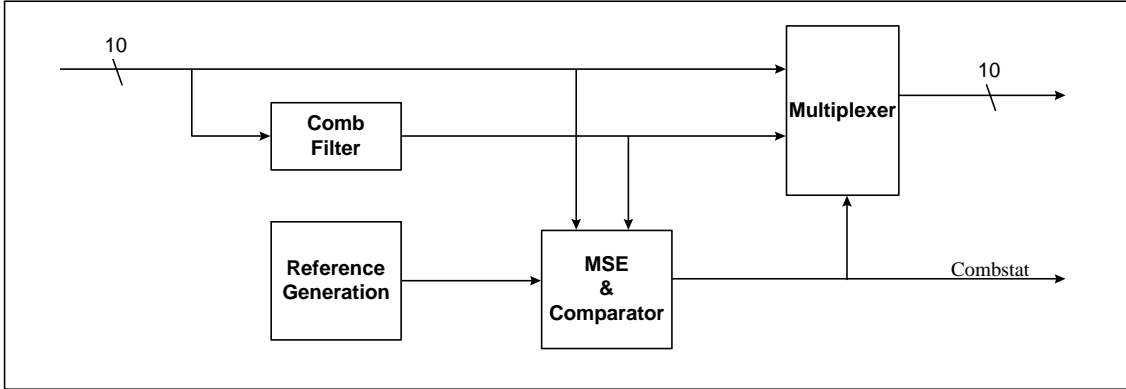


Figure 6.3.16 The Block Diagram of NTSC Rejection

When NTSC co-channel interference is checked, Comb Filter ON/OFF timing can be changed through I²C bus. Its control signal is NoCombgain[1:0](in I²C bus register5) and controls this by changing error gain which doesn't use Comb Filter. When NoCombgain[1:0] is "00", gain is '1'. As a result, sum of error value during PN511 section, which doesn't use Comb Filter is compared with the sum of the other during PN511 section, passed through Comb Filter. When it is

"01", each error that doesn't use Comb Filter is multiplied by the gain of '1.125'(1.023dB) and the results are compared. When it is "10", gain is '1.1875' (1.493dB), and when "11", gain is '1.25' (1.983dB). By this manner, it is determined whether Comb Filter will be used or not. The signal to inform this to the next part is Combstat. And it can be read through I²C bus. (in I²C bus register8) Various controls can be done through I²C bus as shown in Table 6.3.5.

Table 6.3.5 Comb Filter Control through I²C Bus

NCombW (in I ² C bus register5)	NComb (in I ² C bus register5)	Combstat (in I ² C bus register8)
'1'	'1'	'1'(Comb filter OFF)
'1'	'0'	'0'(Comb filter ON)
'0'	don't care	Internally detected signal

6.4 Equalizer

The equalizer compensates for linear channel distortions, such as tilt and ghosts. These distortions can come from the transmission channel or the imperfect components within the receiver. The Equalizer uses a Least-Mean-Square algorithm and decision feedback equalizer structure. The adaptive equalization is performed with training sequence, and blind equalization is also supported.

6.4.1 Block Diagram

The Equalizer has a decision feedback structure with 64-tap feed-forward filter and 192-tap feedback filter. Its internal diagram is Figure 6.4.1 and it consists of 256-tap adaptive filter, training sequence generator, slicer, delays for data storage,

subtractor, and control block. Each tap of 256-filter tap has its own update part which is composed of tap coefficient storage, adder, and multiplier. This makes the equalizer converge into the channel condition very fast. This filter is able to initialize its coefficients through register33[2] (InitEQI2) bit and update the coefficients internally during one system clock(10.76 MHz) cycle as well as download the coefficients through I²C register by user. The outputs of feed-forward filter and feedback filter are summed to produce the output. This filter is applicable to 8 VSB terrestrial broadcasting mode and 2, 4, 8, and 16 VSB cable mode. Figure 6.4.2 shows the slicer of equalizer. This decision feedback structure with a coefficient update filter and LMS algorithm can optimize the VSB equalizer in converging time, remaining error and stability.

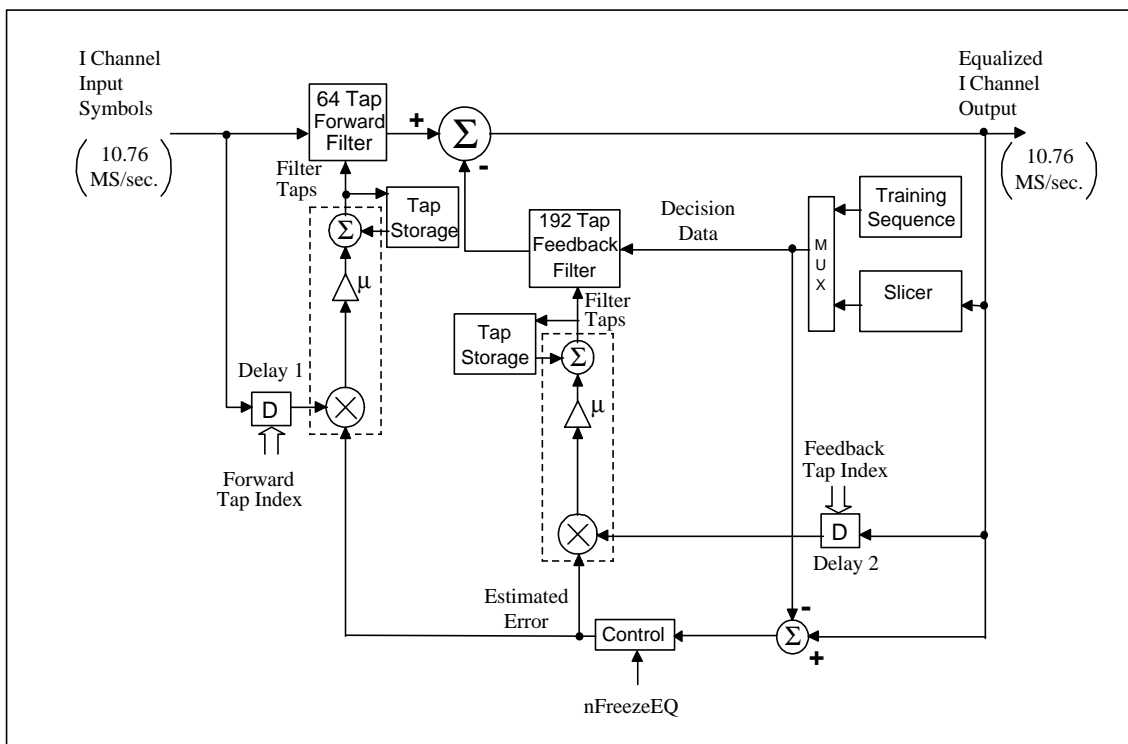


Figure 6.4.1 Channel Equalizer

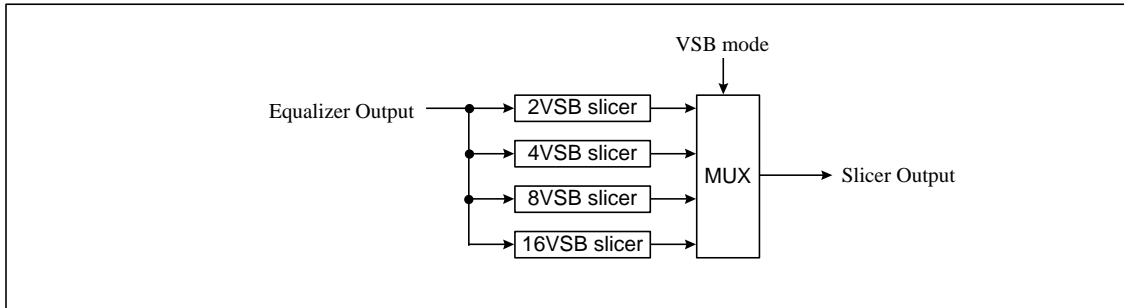


Figure 6.4.2 VSB Slicer

6.4.2 Training/Data Mode Equalization

The Equalizer can achieve equalization through three means: it can do adaptation on the binary training sequence; it do adaptation on data symbols throughout the frame when the eyes are open; or it

can do adaptation on data when the eyes are closed(blind equalization). The principal difference among these three methods is how the error estimate is generated, and Figure 6.4.3 shows the difference of training and data mode equalization.

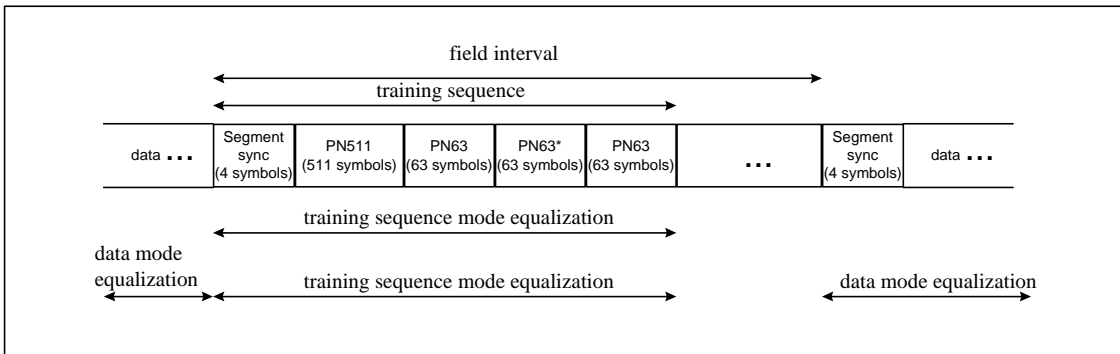


Figure 6.4.3 Training/Data Equalization

6.4.3 Error Estimation

The Equalizer uses a Least Mean Square(LMS) algorithm and can do adaptation on the transmitted binary training sequences as well as on the transmitted data. The LMS algorithm computes

how to adjust the filter taps in order to reduce the current error at the output of the Equalizer, by generating an estimate of the current error in the equalizer output signal using the slice level of Figure 6.4.4.

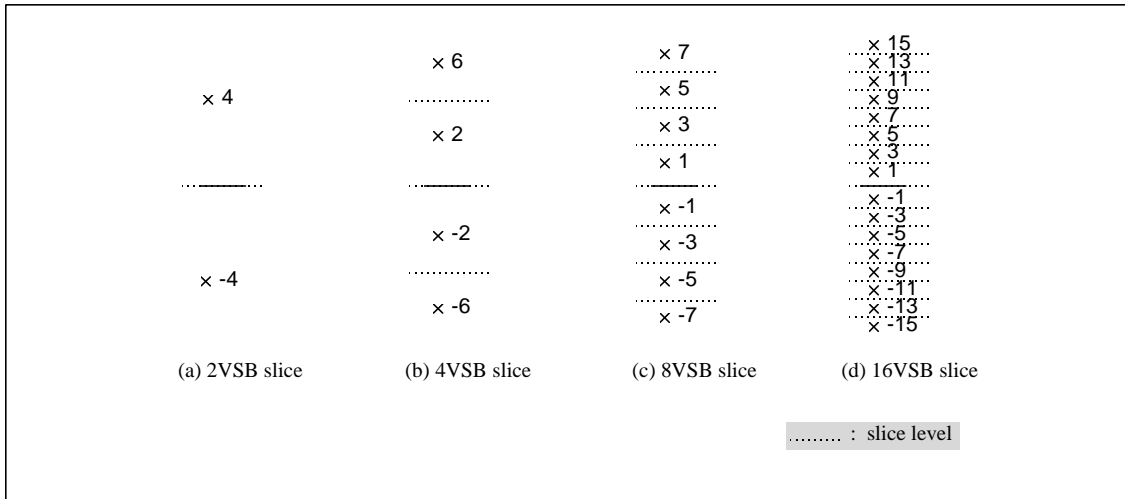


Figure 6.4.4 VSB Slice Level

The estimated error is used in the adaptive filter to update its coefficients as following equations. One is for feed-forward adaptive filter and the other is for feedback adaptive filter. The error is

multiplied by data and adjusted by step-size, and then added to the stored coefficient value to get new coefficient value.

$$C_j^{k+1} = C_j^k + \mu \tilde{e}^k V_j^k$$

C_j^{k+1} : New j^{th} filter tap coefficient of equalizer
 C_j^k : Current j^{th} filter tap coefficient of equalizer
 μ : step-size
 \tilde{e}^k : Current error value of equalizer
 V_j^k : Current data stored in j^{th} filter tap of Feedforward filter

$$C_j^{k+1} = C_j^k + \mu \tilde{e}^k I_j^k$$

C_j^{k+1} : New j^{th} filter tap coefficient of equalizer
 C_j^k : Current j^{th} filter tap coefficient of equalizer
 μ : step-size
 \tilde{e}^k : Current error value of equalizer
 I_j^k : Current decision data stored in j^{th} filter tap of Feedback filter

6.4.4 Adaptive Filter

The 256-tap adaptive filter consists of two sub-filters. One is feed-forward filter, and the other is feedback filter. The feed-forward filter is 64-taps long and the feedback filter is 192-taps long. The data of feed-forward filter is I channel input symbol. The data of feedback filter is training sequence or sliced filter output. The coefficients of this filter are updated internally by means of the product of the estimated error by data delayed in all taps. And the coefficients can be updated at

every clock. The multiplexing scheme can be introduced for 4 taps to share one multiplier. The number of multipliers is reduced to a quarter. The products of data and coefficients are added and accumulated to make output. The output of feed-forward filter and the output of feedback filter are summed to make the filter output. These outputs are transferred to the phase tracker. And they are used to calculate the estimated error with training sequence and sliced filter output. Figure 6.4.5 shows the block diagram of the filter.

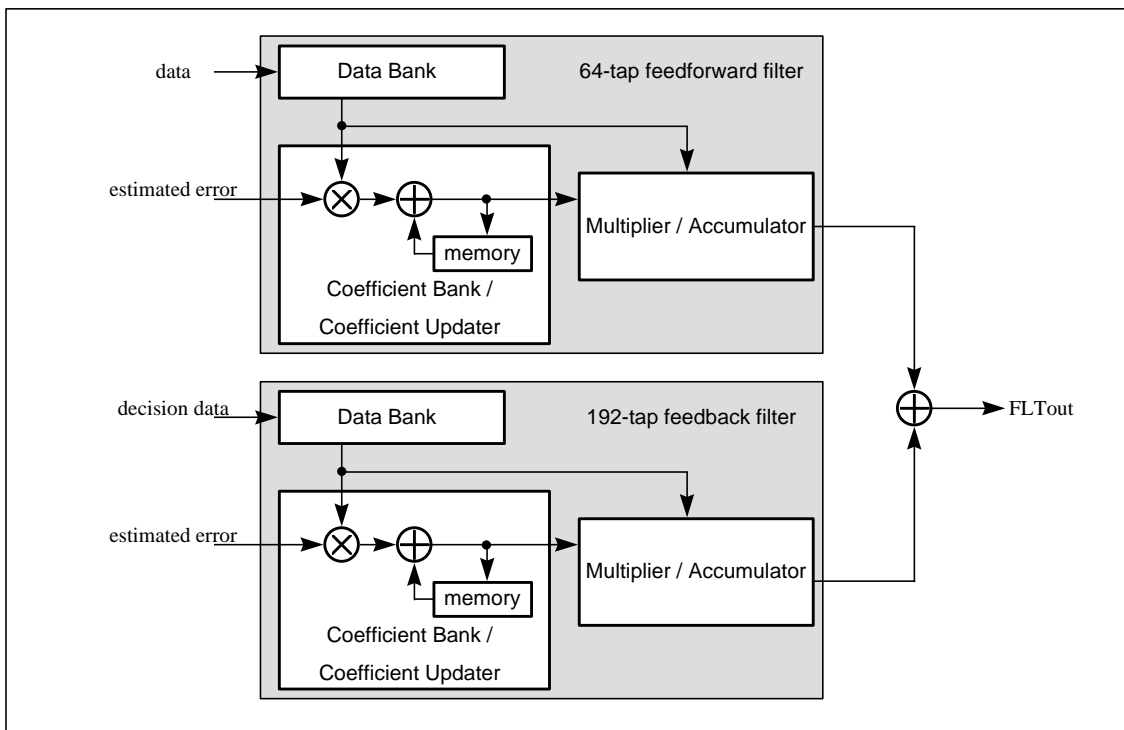


Figure 6.4.5 Coefficient Update Filter

6.4.5 Equalizer Clock Scheme

The 256-tap filters are used in the equalizer. Generally every tap has its own multiplier and the portion of the multipliers is vast. The multiplexing scheme can be introduced for several taps to share one multiplier in this case. The 4-times

multiplexing scheme is used in our design. Therefore one multiplier is shared to 4 taps. A clock, 4-times multiplied by SYMCLK(symbol clock) is needed for multiplexing. The PLL is used for generating the 4-times multiplying clock(CLK4EQ).

6.4.6 I²C Bus I/F

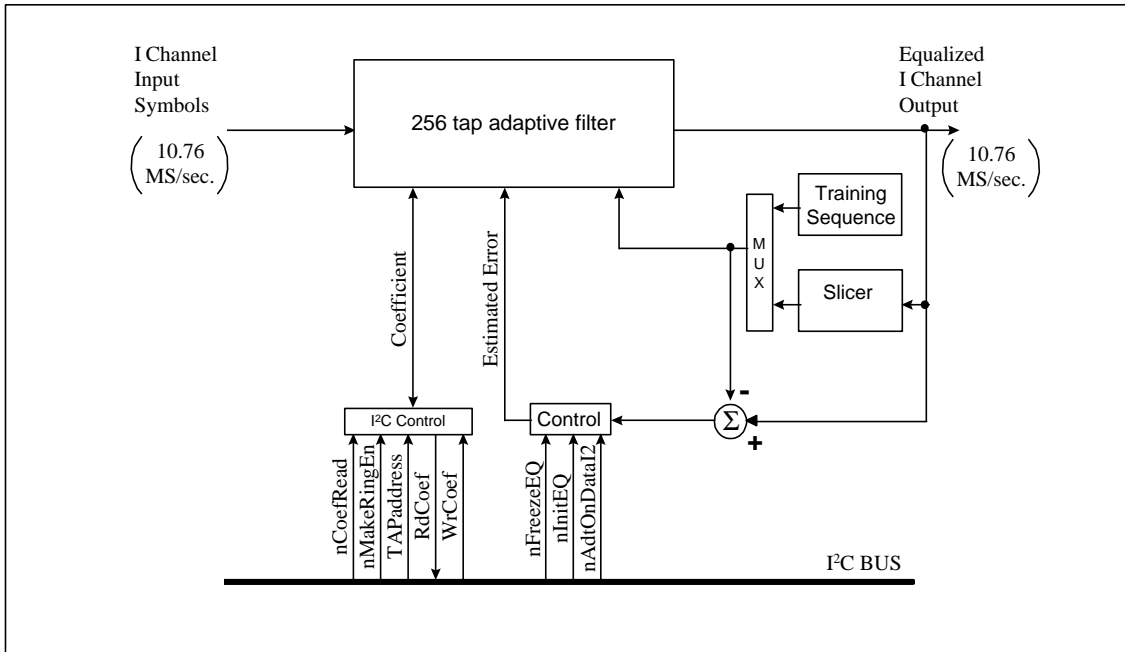


Figure 6.4.6 I²C Bus I/F

The adaptive filter is able to initialize and freeze its coefficients through register33[2](InitEQI2) bit and register33[3](nFreezeEQI2) bit. The control block located at the front of filter controls the estimated error value according to each operating mode and sends it to the adaptive filter. These bits are in the table 6.4.1. For example, if register33[3](nFreezeEQI2) bit is set to “low”, Equalizer Control block forces error value to be ‘0’, which makes the coefficients of the filter unchanged. The equalizer supports three different

step-sizes; the smallest, the middle, and the largest step size. The difference is converging time and remaining error. If the largest step-size is selected, equalizer converges fast but the remaining error is large. And if the smallest step-size is selected equalizer converges slowly but the remaining error is small. The decision directed mode can be used for moving ghost by just setting nAdtOnDataI2. When this signal is low, the decision directed equalization is ON. When this pin is high, the decision directed equalization is OFF.

Table 6.4.1 Contents of I²C Bus Register33 for Equalizer

7	nFreezePHI2	W/R	'0' : Freezes the Phase Tracker in the device, which means phase tracking does not occur. '1' : normal operation If you want to control Phase Tracker fast, use external input pins. Default value is '1'.
6	InitPHI2	W/R	'1' : Initializes the Phase Tracker in the device. '0' : normal operation If you want to control Phase Tracker fast, use external input pins. Default value is '0'.
3	nFreezeEQI2	W/R	'0' : Freezes the Equalizer in the device, which means coefficient update does not occur. '1' : normal operation If you want to control Equalizer fast, use external input pins. Default value is '1'.
2	InitEQI2	W/R	'1' : Initializes the Equalizer in the device. '0' : normal operation If you want to control Equalizer fast, use external input pins. Default value is '0'.
[1:0]	STEPsizeIN [1:0]	W/R	There are three available step-sizes in the Equalizer. 00,01 : smallest step size 10 : middle step size 11 : largest step size Default value is "11".

The mean squared errors are calculated at equalizer input and output, and these can be read by using I²C bus. The location of center tap could be changed using I²C bus, so the equalization range

could be adjusted according to channel condition. If you set nIIR16ONIN or nIIRONIN, the decision feedback filter is turned off for 2, 4, and 16 VSB mode.

Table 6.4.2 Contents of I²C Bus Register33 for Filter Control

7	nIIR16ONIN	W/R	'0' : feedback filter is on in 16 VSB mode '1' : feedback filter is off Default value is '1'.
6	nIIRONIN	W/R	'0' : feedback filter is on in 2, 4 and 8 VSB mode '1' : feedback filter is on in only 8 VSB mode Default value is '0'.

6.4.7 Coefficient Reading/Writing

The adaptive filter is able to initialize and freeze its coefficients as well as download the coefficients through I²C register by user. The following are coefficient reading/writing routines through I²C register, and the I²C control block in figure 6.4.6 supports this coefficient reading/writing function

Equalizer / Phase Tracker Coefficient Write Routine

- 1) Freeze an equalizer and a phase tracker.
(Sets nFreezeEQI2 and nFreezePHI2 to '0')
- 2) Sets the nCoefRead to a write mode.
(set this bit to '1')
- 3) Writes the filter tap address to write the coefficients.(TapAddress : Register37)
- 4) Write the coefficients.
(WrCoef : Register38, 39)
- 5) Sets the nMakeRingIN to '0'.
- 6) Sets the nMakeRingIN to '1'.
- 7) To write another coefficients, goes to the 3rd step.
- 8) Sets nFreezeEQI2 and nFreezePHI2 to HIGH and quits the write routine.

Equalizer Coefficient Read Routine

- 1) Freeze an equalizer and a phase tracker.
(Sets nFreezeEQI2 and nFreezePHI2 to '0')
- 2) Set the nCoefRead to a read mode.
(Set this bit to '0')
- 3) Writes the filter tap address to read the coefficients. (TapAddress : Register37)
- 4) Set the nMakeRingIN to '0'.

- 5) Read the coefficients.(RdCoef : Register38, 40)
- 6) Set the nMakeRingIN to '1'.
- 7) To read another coefficients, goes to the 3rd step.
- 8) Set nFreezeEQI2 and nFreezePHI2 to HIGH and quit the read routine.

6.5 Phase Tracker

The Phase Tracker corrects the untracked phase noise in the receiver. It uses slice prediction information that comes from the Viterbi Decoder so that this phase tracker increases its performance in severe noise environment. There are three loops; gain correction loop, offset correction loop, and phase correction loop. Phase Error Correction block corrects the distortion caused by a phase noise using an estimated error in the output of the Phase Tracker.

User can control the gain of Phase Tracker by using I²C register. There is a trade-off relation between gain and noise enhancement in phase tracker. So the phase tracker in this device change the gain according to the noise condition. To increase the performance the phase tracker is using the slice predict information that comes from viterbi decoder. Phase tracking range is -60° ~ 60° with resolution of 0.004°. This means that phase error estimation part can estimate phase error degree with 0.004° resolution and phase tracker can track the phase noise from -60° to 60° successfully. A block diagram of the Phase Tracker is shown in Figure 6.5.1.

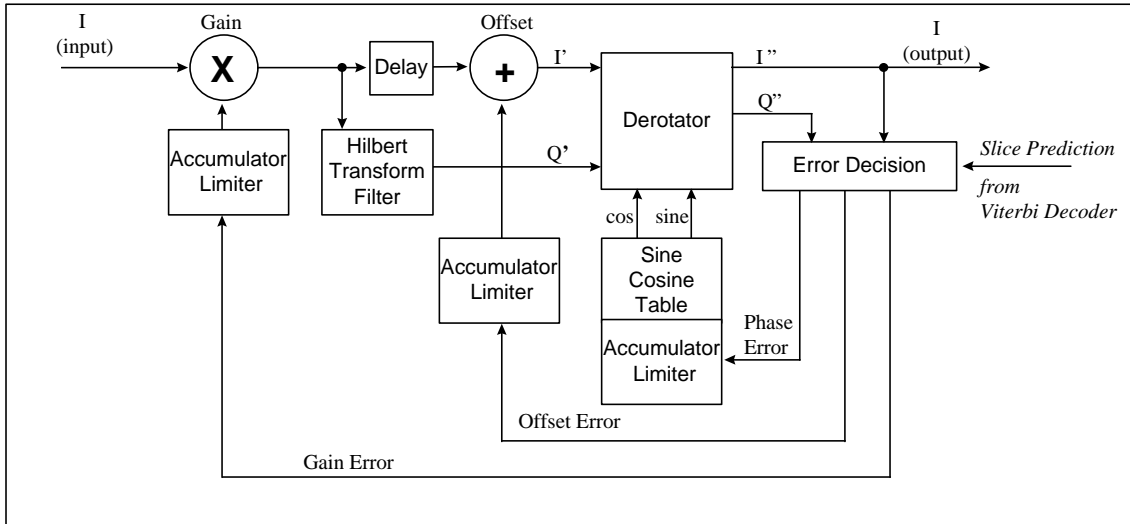


Figure 6.5.1 Phase Tracker

6.5.1 Error Detection

The result I signal is output to channel decoder and used at error detection with result Q signal to get estimated phase error degree. Figure 6.5.2 shows the block diagram of error detection. Result

I signal is input to VSB mapper which is a Look-up table and the output of this look-up table is a kind of decision error. The 2nd Look-up Table converts decision error to gain error, offset error, and phase error. And these error information are accumulated and used to remove phase noise.

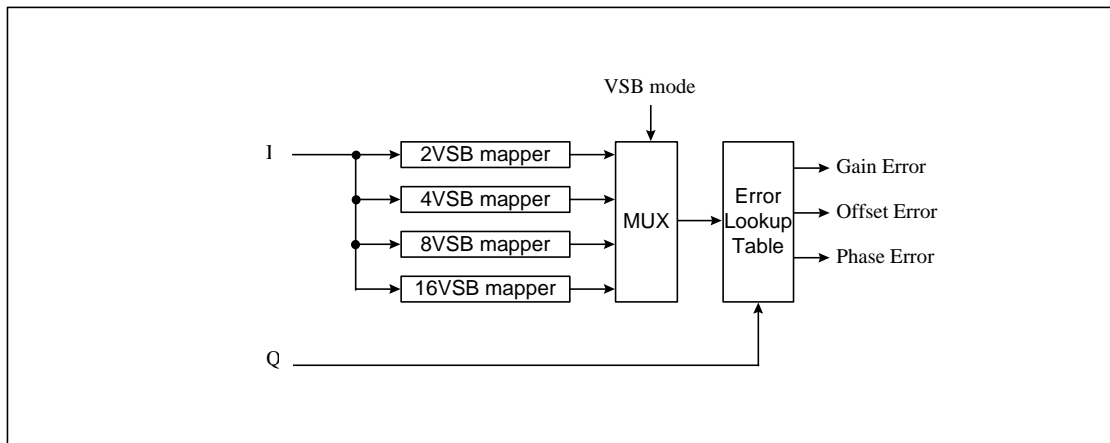


Figure 6.5.2 Error Detection

6.5.2 Gain & Offset Loop

There are three loops in phase tracker and these loops are designed to be ON/OFF through I²C bus. The first loop is Gain Loop. The Gain Loop consists of multiplier and accumulator, and corrects gain error caused by phase error with error value from an error decision. The output of equalizer is the first gain controlled by a multiplier. The second

loop is Offset Loop which consists of adder and accumulator. The Offset Loop corrects offset error caused by phase error with error value from an error decision. The gain-corrected output is used to remove offset error at Offset Loop and used at the Hilbert transform filter to generate an approximation of the Q signal. Figure 6.5.3 shows the shape of coefficients of Hilbert Transform filter.

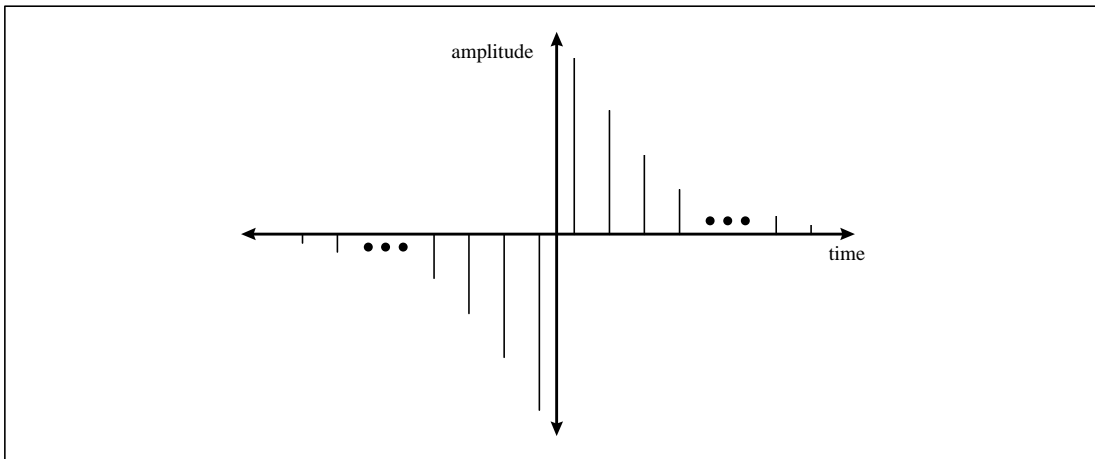


Figure 6.5.3 Coefficients of Hilbert Transform Filter

6.5.3 Phase Loop

The last loop is Phase Loop which consists of adder, accumulator, Sine Cosine Table, and Complex

Multiplier. The gain & offset of corrected I and Q signal is derotated at complex multiplier to correct the phase error and Figure 6.5.4 shows the diagram of complex multiplier for a derotation.

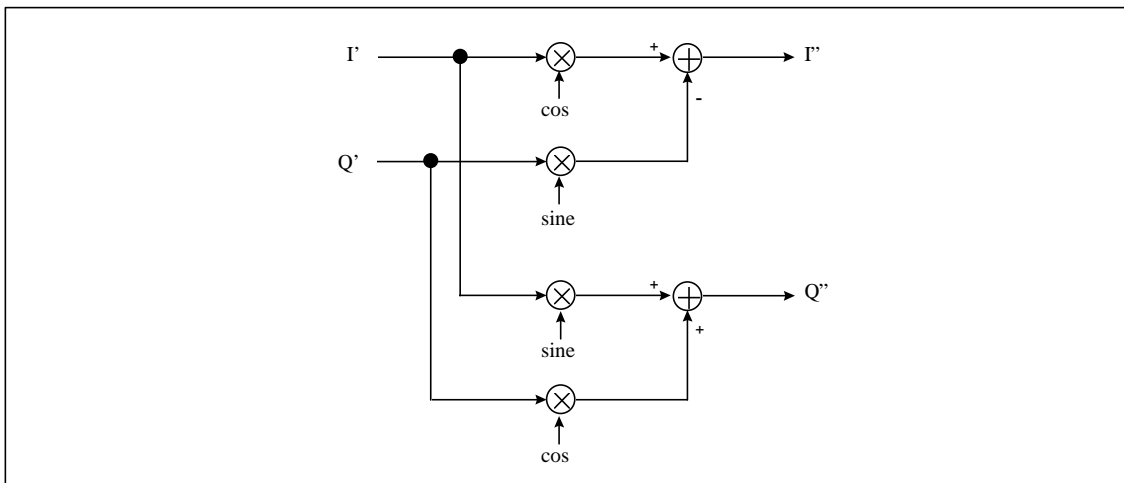


Figure 6.5.4 Complex Multiplier

6.5.4 I2C Bus I/F

User can initialize the resulting phase tracking value through I2C register33[6] (InitPHI2) bit. There are three loops in phase tracker; gain correction loop, offset correction loop, and phase

correction loop. The following table shows contents of register address 33 and these three loops can be turned on/off through this register[5:4] (PHASmodeIN). The mean squared errors are calculated at phase tracker output and can be read using I²C bus through MeanErrOUTPH.

Table 6.5.1 Contents of I²C Bus Register33 for Phase Tracker

7	nFreezePHI2	W/R	'0' : Freezes the Phase Tracker in the device, which means phase tracking does not occur. '1' : normal operation If you want to control Phase Tracker fast, use external input pins. Default value is '1'.
6	InitPHI2	W/R	'1' : Initializes the Phase Tracker in the device. '0' : normal operation If you want to control Phase Tracker fast, use external input pins. Default value is '0'.
[5:4]	PHASmodeIN [1:0]	W/R	There are three loops in the Phase Tracker, gain, offset, and phase loop. 00 : all loops on 01 : offset loop off 10 : offset and gain loops off 11 : all loops off Default value is "00".

There are 4 different modes for phase tracking gain control as seen in the table 6.5.2. There is a trade-off relation between gain and noise enhancement in phase tracker. So the phase tracker in this device changes the gain according to the noise condition. As shown in table, if LOOPgainIN is set to "000" gain is changed automatically according to the

noise condition. This means that this routine has noise calculator and selects a gain by using the calculated noise information. User can also control the gain of phase tracker by setting to "001", "010", or "011". The default is "000" with this automatic gain mode.

Table 6.5.2 Contents of I²C Bus Register36 for Gain Control

[5:3]	LOOPgainIN [2 : 0]	W/R	Determines the use of automatic gain routine and the type of loop gain used in Phase Tracker. Default value is "000". "000" : Automatic gain change. "001" : phase tracker is OFF. "010" : smaller gain. "011" : normal gain. "1xx" : not use.
-------	-----------------------	-----	---

6.6 Channel Decoder

Channel Decoder consists of Cable Slicer, Viterbi Decoder, Symbol-to-Byte Converter, Convolutional Deinterleaver, Reed-Solomon Decoder, Data Derandomizer, Transport Demultiplexer Interface, and etc. as shown in Figure 6.6.1. Channel Decoder input comes from Phase Tracker. MMDS 2/4/8/16 VSB signal and ATSC 16 VSB signal are sliced in Cable Slicer, and ATSC 8 VSB signal is decoded in Viterbi Decoder. Viterbi Decoder is bypassed when I²C

register64[7](Viterbi_on) value is '0'. In this case, signal is sliced by 4-level slicer. Symbol stream, the output of Cable Slicer and Viterbi Decoder is converted into Byte Stream by Symbol-to-Byte Converter and sent to Convolutional Deinterleaver. Convolutional Deinterleaver is bypassed when I²C register64[6] (Deint_on) value is '0'. Reed-Solomon Decoder and Data Derandomizer are bypassed when I²C register64[5] (RSdec_on) and I²C register64[4] (Derand_on) are set to '0' respectively. I²C register values bypassing each block are shown in Table 6.6.1.

Table 6.6.1 I²C bus register64 values for sub-block bypass

Viterbi_on	Viterbi Decoder on/off selection '1' : on '0' : off If this bit is set to '0', hard decision decoding is performed instead of viterbi decoding. Default value is '1'.
Deint_on	Deinterleaver on/off selection '1' : on '0' : off If this bit is set to '0', deinterleaver is bypassed. Default value is '1'.
RSdec_on	RS Decoder on/off selection '1' : on '0' : off If this bit is set to '0', RS decoder is bypassed. Default value is '1'.
Derand_on	Derandomizer on/off selection '1' : on '0' : off If this bit is set to '0', derandomizer is bypassed. Default value is '1'.

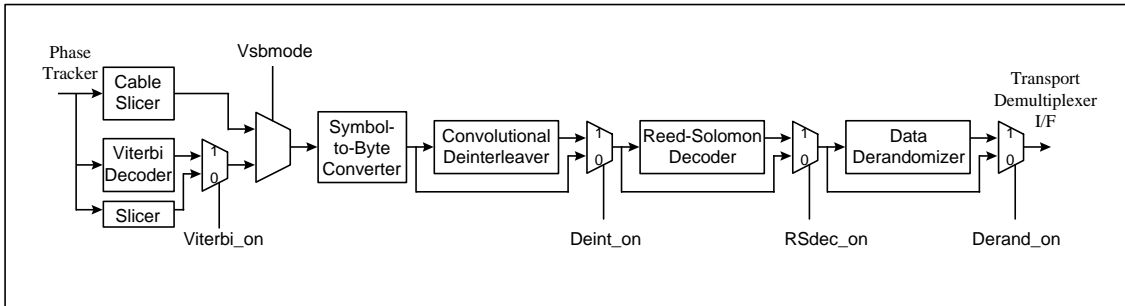


Figure 6.6.1 Block Diagram of Channel Decoder

6.6.1 12 Symbol Intra-segment Deinterleaver

To help protect the Viterbi decoder against short burst interference, such as impulse noise or NTSC co-channel interference, 12-symbol code intra-segment interleaving is employed in the transmitter. As shown in figure 6.6.2, the Viterbi

decoding block uses 12 Viterbi decoders in parallel, where each Viterbi decoder sees every 12th symbol. This code interleaving has all the same burst noise benefits of a 12-symbol interleaver, but also minimizes the resulting code expansion when the NTSC rejection comb filter is active (when the NTSC rejection comb filter is active, the I²C register8[4](Ncomb) is set to '0').

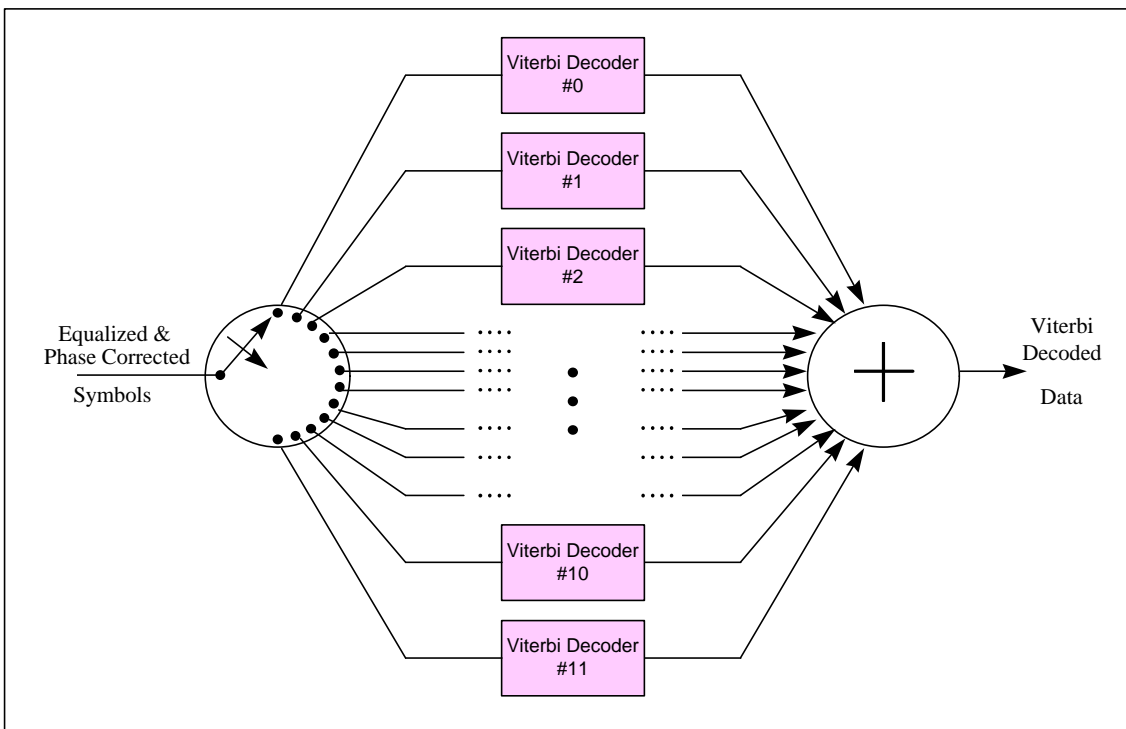


Figure 6.6.2 12 Symbol Intra-segment Deinterleaver

6.6.2 Segment Sync Suspension

Before the 8 VSB signals can be processed by the Viterbi decoder, it is necessary to suspend the Segment Sync. The presence of the Segment Sync character in the data stream passed through the comb filter presents a complication that must be dealt with, because Segment Sync is not trellis encoded or precoded. Figure 6.6.3 shows the technique that has been used. It shows the receiver processing that consists of the comb filter in the VSB Synchronizer/Equalizer and Segment Sync Removal block in this chip. The multiplexer in the Segment Sync Removal block is normally in the

upper position. This presents data that has been filtered by the comb filter to the Viterbi Decoder. However, because of the sync character in the data stream, the multiplexer selects its lower input during the 4 symbols that occurs 12 symbols after the Segment Sync. The effect of this sync removal is to present to the Viterbi Decoder a signal that consists of the subtraction of two adjacent data symbols that come from the same Viterbi Decoder, one transmitted before and one after the Segment Sync. The interference introduced by the Segment Sync symbol is removed in this process, and the overall channel response seen by the Viterbi Decoder is the single-delay partial response filter.

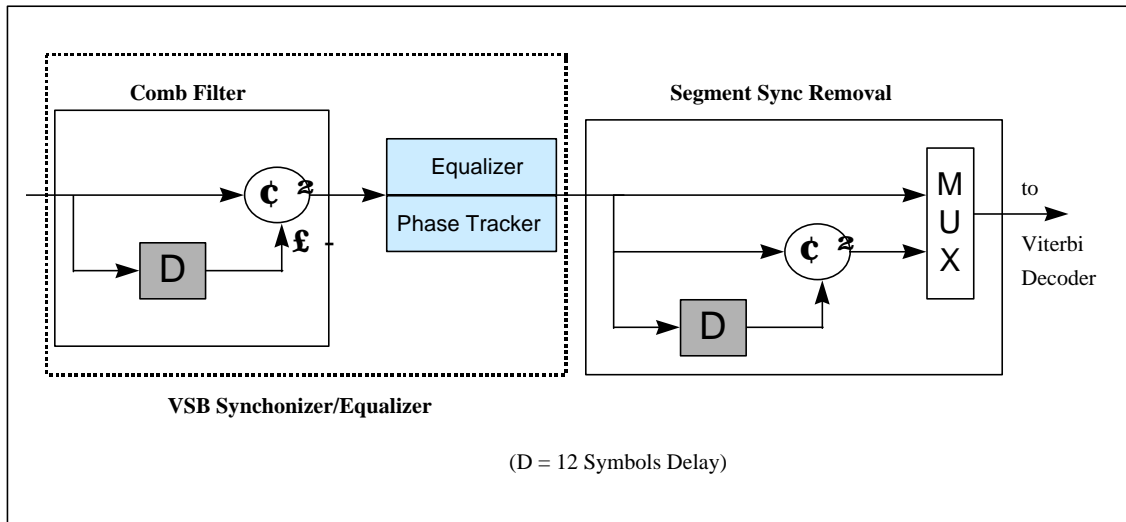


Figure 6.6.3 Segment Sync Suspension

6.6.3 Viterbi Decoder

The Viterbi decoder performs the task of slicing and convolutional decoding. It has two modes; one is for the case when the NTSC rejection filter is used to minimize NTSC co-channel, and the other is when it is not used. This is illustrated in Figure 6.6.4. The insertion of the NTSC rejection filter is determined automatically in the comb filter control block (before the equalizer, see Figure 6.6.3), with this information passed to the Viterbi decoder. When there is little or no NTSC co-channel interference, the NTSC rejection filter is not used and an optimal Viterbi decoder is used to decode the 4-state trellis-encoded data. Serial bits are re-created in the same order as they were created in the encoder. With significant NTSC co-channel interference, if the NTSC rejection filter (12 symbol, feed-forward subtractive comb) is employed, an optimized 8-state Viterbi decoder for this partial response channel is used. The Viterbi decoder can be bypassed for performance tests by setting I²C register64[5](Viterbi_on) to '0'. Then, just 4-level slicing is done. Also, on ATSC 16 VSB and MMDS 2/4/8/16 VSB mode, the Viterbi decoder is bypassed and only slicing is done. Figure 6.6.5 is internal block diagram of Viterbi decoder. Each branch metric of trellis calculated in branch metric

block is 6bits, memory depth of path memory block is 16. Branch metric block and ACS(Add, Compare, and Select) block are adapted to be 4-state Viterbi decoder if I²C register84[4](Ncomb) value is '1', or 8-state Viterbi decoder if it is '0'. 12 Viterbi decoders are implemented through 12 shift registers sharing one Branch metric block and one ACS block.

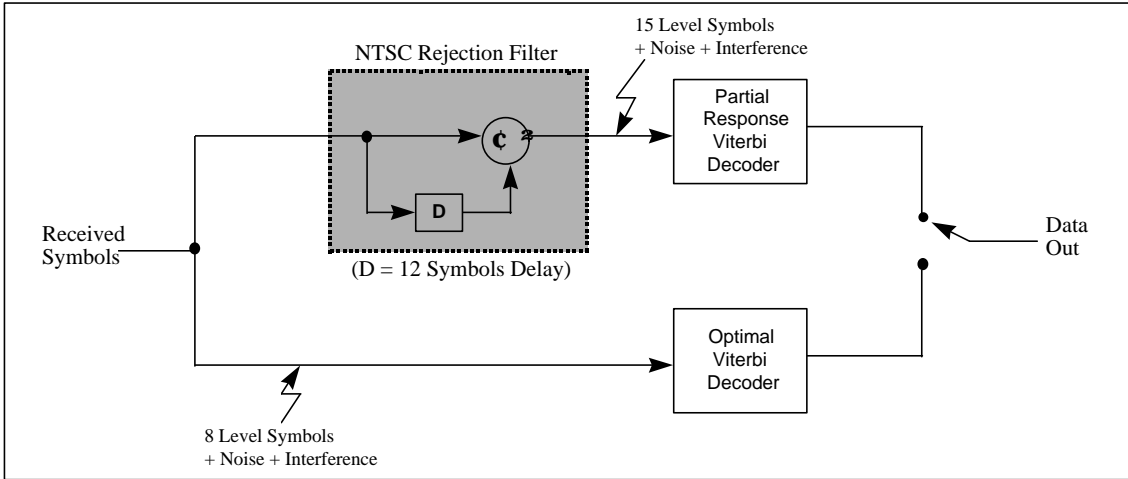


Figure 6.6.4 Viterbi Decoding with and without NTSC Rejection Filter

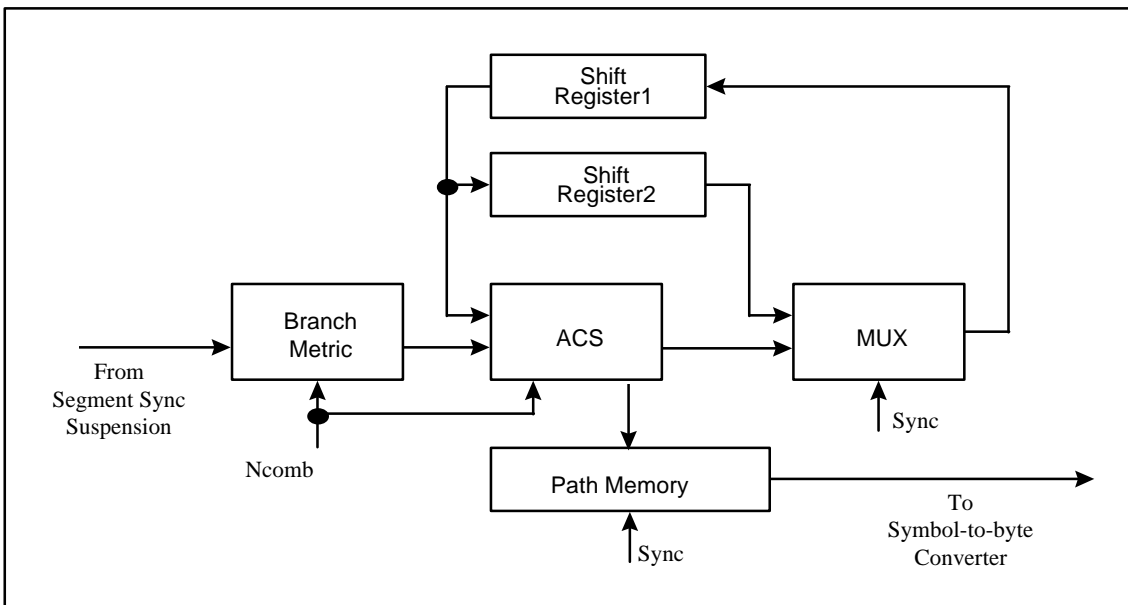


Figure 6.6.5 Internal Block Diagram of Viterbi Decoder

6.6.4 Symbol-to-Byte Converter

The symbol-to-byte converter converts incoming symbols to bytes. On MMDS 2 VSB mode, each received symbol has one bit of data. The data from MSB to LSB {7,6,...,1,0} is entered and 8 symbols compose one byte. On MMDS 4 VSB and ATSC 8 VSB mode, each received symbol has two bits of data. The data from MSB to

LSB {76,54,32,10} is entered and 4 symbols compose one byte. On MMDS and ATSC 16 VSB mode, each received symbol has four bits of data. The data from MSB to LSB {7654,3210} is entered and 2 symbols compose one byte. On MMDS 8 VSB mode, each received symbol has three bits of data. The data from MSB to LSB {765,432,107,654,321,076,543,210} is entered and 8 symbols compose three bytes. See Table 6.6.2

Table 6.6.2 Symbol-to-Byte Conversion

Bits in Byte		7	6	5	4	3	2	1	0	7	6	5	4	3	2	1	0	7	6	5	4	3	2	1	0
Symbol	MMDS 2VSB	0	1	2	3	4	5	6	7	0	1	2	3	4	5	6	7	0	1	2	3	4	5	6	7
	MMDS 4VSB/ ATSC 8VSB	0		1		2		3		0		1		2		3		0		1		2		3	
	MMDS 8VSB	0		1		2		3		4		5		6		7									
	MMDS 16VSB/ ATSC 16VSB	0		1		0		1		0		1		0		1									

6.6.5 Convolutional Deinterleaver

Convolutional deinterleaver performs the opposite function of the transmitter convolutional interleaver. Even strong NTSC co-channel signals passing through the NTSC rejection filter and creation of short bursts due to NTSC vertical edges

are reliably handled due to the interleaving and RS coding process. The deinterleaver uses Data Field Sync for synchronizing with the first data byte of the data field. The structure is shown in Figure 6.6.6. The deinterleaver can be bypassed for performance tests by setting I²C register64[5] (Deint_on) to '0'.

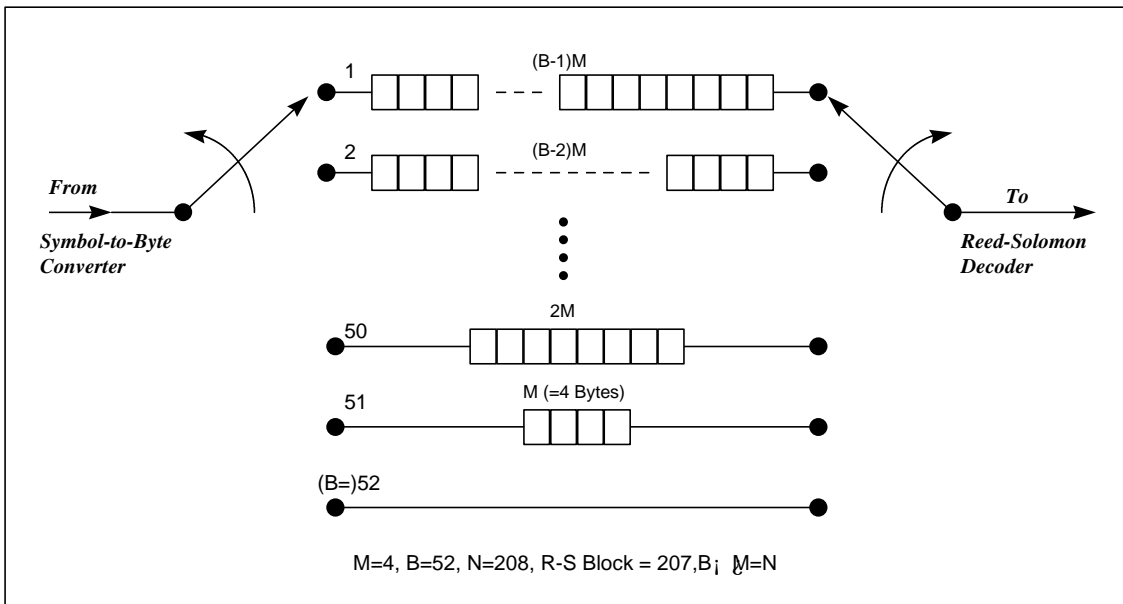


Figure 6.6.6 Convolutional Deinterleaver

6.6.6 Reed-Solomon Decoder

Reed-Solomon decoder can correct up to 10-byte errors per Data Segment that is encoded by RS(207, 187) code. Any burst errors created by impulse noise, NTSC co-channel interference, or Viterbi decoding errors, are greatly reduced by the combination of the convolutional deinterleaving

and RS error correction. The RS decoder can be turned off for performance test by setting the I²C register64[4](rsdec_on) to '0'. The number of segment errors per one second is written in I²C register65 and register67 so that they can be read through I²C register control. The encoder polynomial is as follows. The coefficients of the polynomial are defined in Galois field GF(256).

$$G(X) = X^{20} + 152X^{19} + 185X^{18} + 240X^{17} + 5X^{16} + 111X^{15} + 99X^{14} + 6X^{13} + 220X^{12} + 112X^{11} + 150X^{10} + 69X^9 + 36X^8 + 187X^7 + 22X^6 + 228X^5 + 198X^4 + 121X^3 + 121X^2 + 165X^1 + 174$$

6.6.7 Data Derandomizer

The data(excluding Field Sync Data, Segment Sync Data, and parity bytes) is randomized at the transmitter by Pseudo Random Sequence(PRS). The de-randomizer accepts the error-corrected data bytes from the RS decoder, and applies the same PRS randomizing code to the data. The PRS code is generated identically as in the transmitter, using the same PRS generator feedback and output taps

as shown in Figure 6.6.7. Since the PRS is locked into the reliably recovered Data Field Sync(and not some code words embedded within the potential noisy data), it is exactly synchronized with the data and performs reliably. The initialization(pre-load) to F180H occurs during the Data Segment Sync interval prior to the first Data Segment. The data derandomizer can be bypassed for performance tests by setting the I²C register64[3](Derand_on) to '0'.

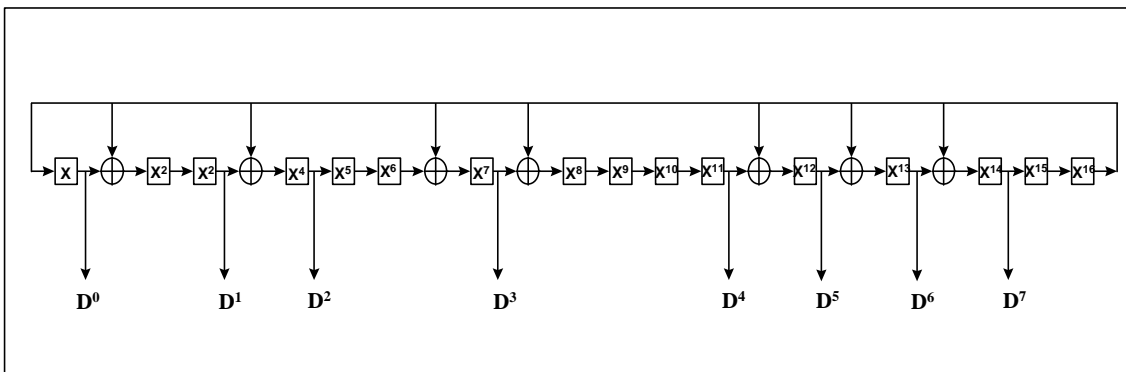


Figure 6.6.7 Derandomizer Polynomial

6.6.8 I/F to Transport Demultiplexer

The VSB Channel Decoder offers various functions for the interface with the Transport Demultiplexer which are controlled by I²C register64.

The related I²C register64 flags are given in Table 6.6.3.

Table 6.6.3 I²C Register64 Flags controlling Transport Demultiplexer I/F

Pase	Parallel/serial output selection '1' : parallel '0' : serial If this bit is set to '0', VSBDATA[0] pin is used as serial data output and VSBDATA[7] is used as start bit of a byte indicator. Default value is '1'.
Derand_on	Derandomizer on/off selection '1' : on '0' : off If this bit is set to '0', derandomizer is bypassed. Default value is '1'.
Errorflag_ins	Error flag bit insertion on/off selection. Valid only when Derand_on is set to '1'. '1' : MSB of first data byte is set to '1' when the packet has an uncorrected errors(when NVSBERRFLG is '0') '0' : nothing is done at the MSB of first data byte although the packet has an uncorrected errors(when NVSBERRFLG is '0') Default value is '1'.
Vsbvalid_pol	VSBDVALID polarity indicator '1' : VSBDATA[7:0] is valid during VSBDVALID = '1' interval and invalid during VSBDVALID = '0' interval. '0' : polarity is inverted Default value is '1'.
Vsbclk_sup	VSBDVALID suppression indicator '1' : VSBDVALID is not suppressed during VSBDVALID = "invalid" interval '0' : VSBDVALID is suppressed(set to 0) during VSBDVALID = "invalid" interval Default value is '1'.

The rising edge of VSBDVALID signal occurs at the middle of one byte interval of VSBDATA[7:0] signal. The VSBSOP signal indicates the location of the data segment sync(start byte of a data segment) using VSBSOP='1' for one byte interval. At the default value of I²C register64,

- 1) the signal VSBDVALID='1' and VSBDVALID='0' indicate valid data and invalid data interval respectively,
- 2) the signal NVSBERRFLG='0' indicates that the data segment has uncorrected errors.
Otherwise NVSBERRFLG='1',
- 3) the data segment sync is set to 47H,
- 4) the MSB of the first data byte is set to '1' if the data segment has uncorrected errors(NVSBERRFLG='0'),
- 5) the VSBDVALID signal is not suppressed during VSBDVALID='0' interval. See Fig. 6.6.8.

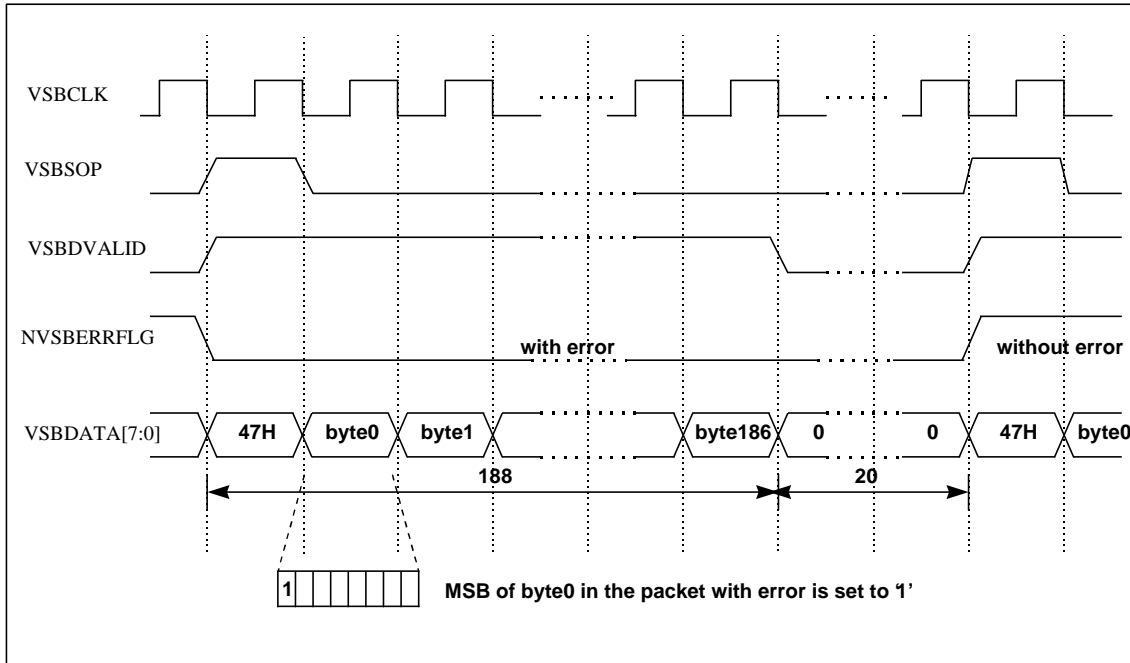


Figure 6.6.8 I/F to Transport Demultiplexer when Register64[7:0] is set to Default Value

If only I²C register64[3](Derand_on) is set to '0' and other values are reserved as the default,

- 1) the derandomizer is bypassed,
 - 2) the data segment sync is set to 00H instead of 47H,
 - 3) nothing is done at the MSB of the first data byte although the data segment has uncorrected errors.
- See Fig. 6.6.9.

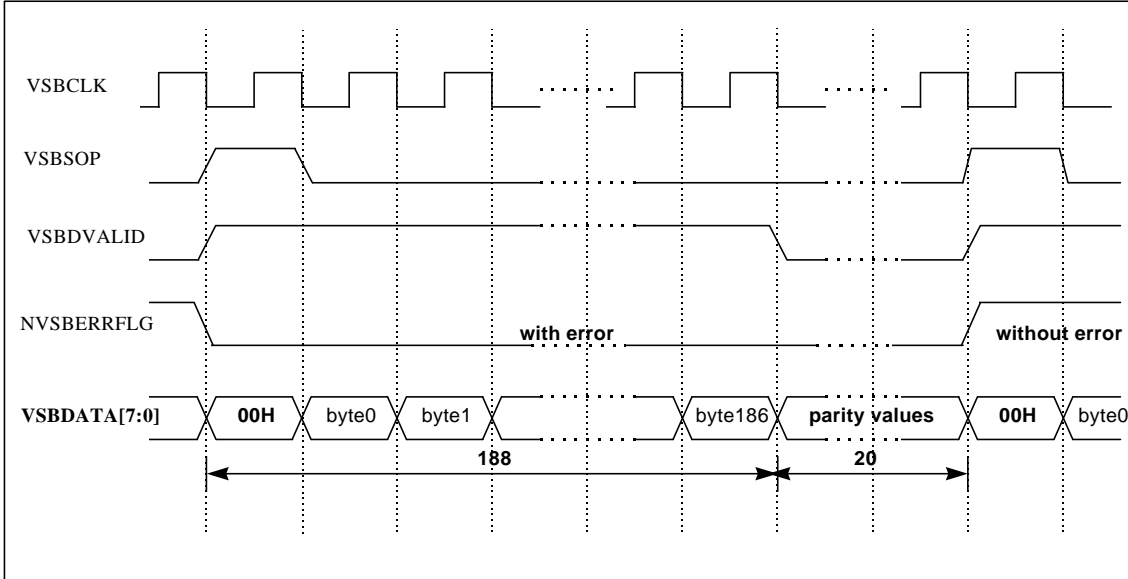


Figure 6.6.9 I/F to Transport Demultiplexer when Register64[3](Derand_on) is set to '0'

If only I²C register64[2](Errorflag_ins) is set to '0' and other values are reserved as the default,

1) nothing is done at the MSB of the first data byte although the data segment has uncorrected errors. See Fig. 6.6.10.

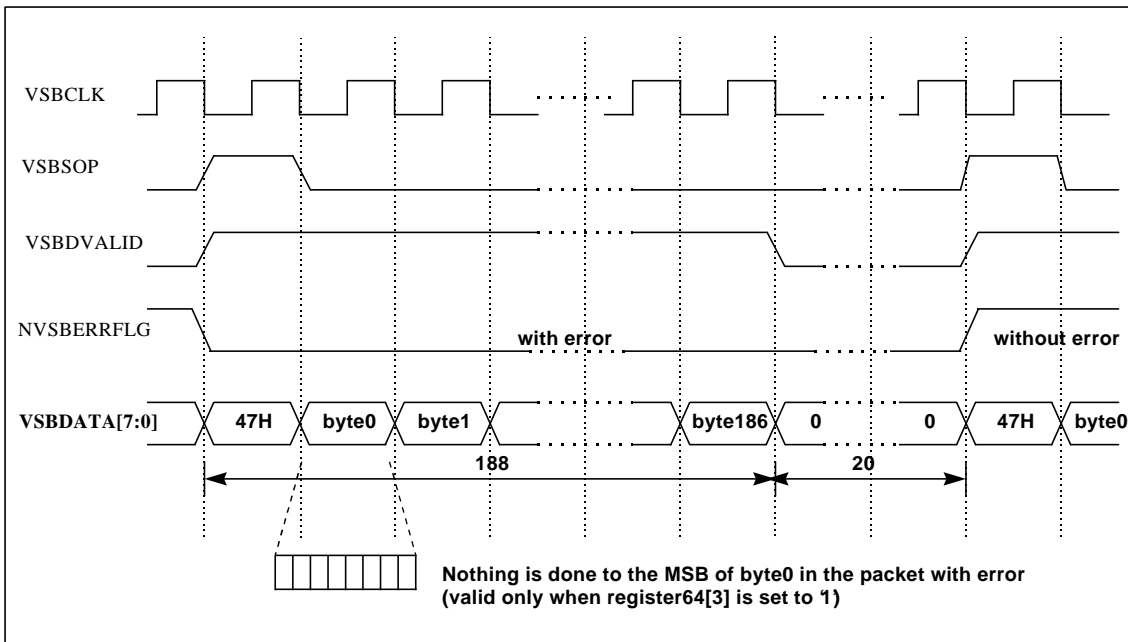


Figure 6.6.10 I/F to Transport Demultiplexer when Register64[2](Errorflag_ins) is set to '0'

If only I²C register64[1](Vsbddvalid_pol) is set to '0' and other values are reserved as the default,

1) signal VSBDVALID='0' and VSBDVALID='1' indicate valid data and invalid data interval respectively. See Fig. 6.6.11.

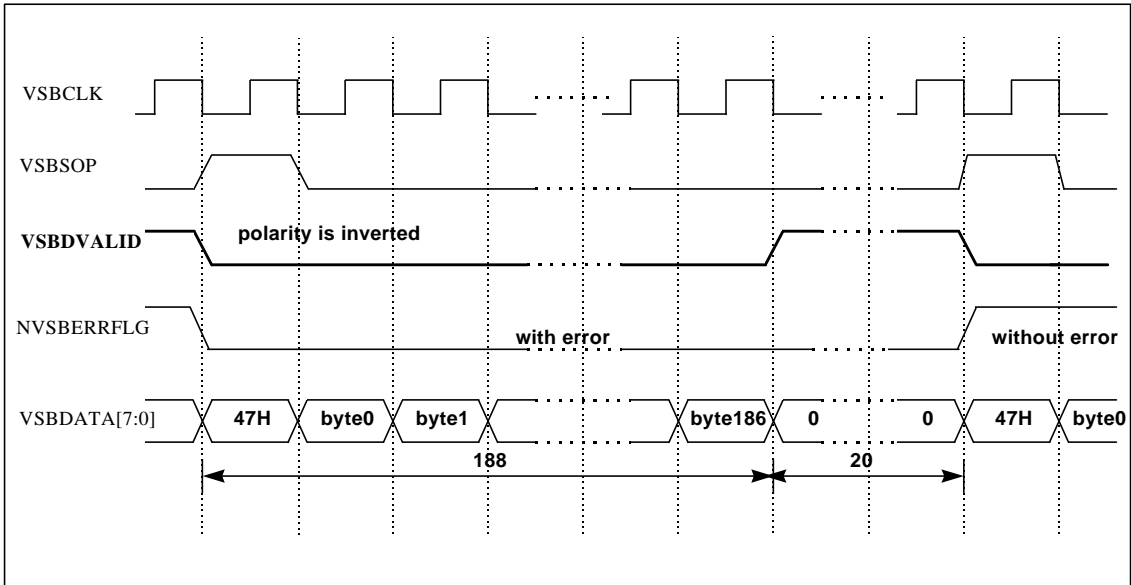


Figure 6.6.11 I/F to Transport Demultiplexer when Register64[1] is set to '0'

If only I²C register64[0](Vsbclk_sup) is set to '0' and other values are reserved as the default,
 1) the VSBCLK signal is suppressed to '0' during VSBDVALID='0' interval. See Fig. 6.6.12.

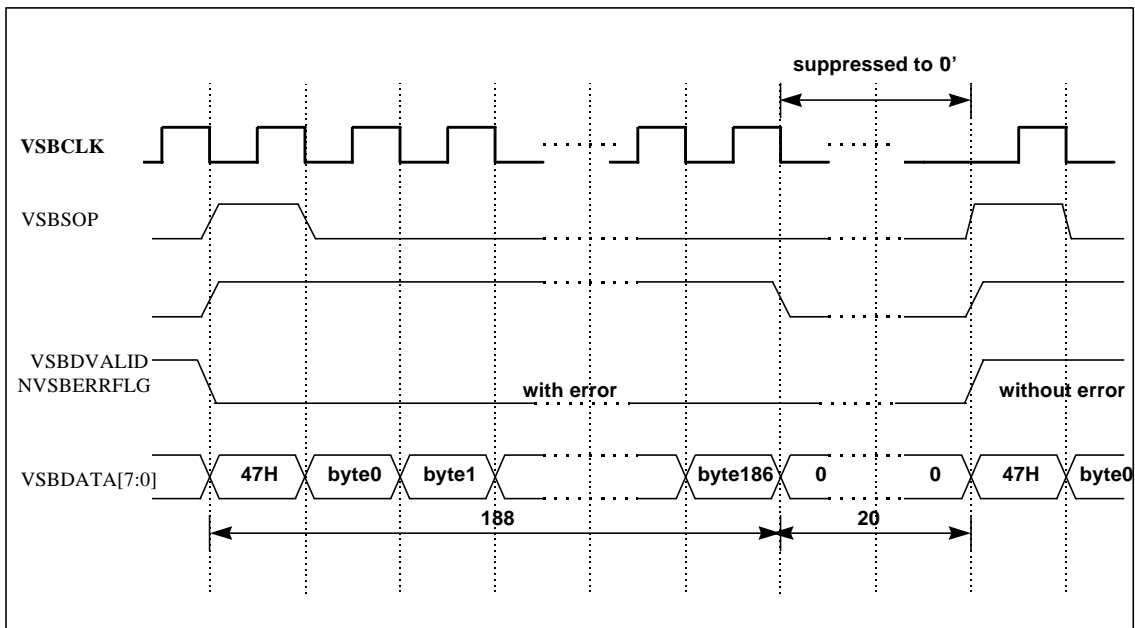


Figure 6.6.12 I/F to Transport Demultiplexer when Register64[0](Vsbclk_sup) is set to '0'

At MMDS 8VSB mode, the duty cycle of VSBCLK is not 50% of VSBCLK period. Since 8 symbols compose 3 bytes, the duration of first byte equals to those of two symbols, and the duration of second and third byte is 3 symbols each. See Fig. 6.6.13.

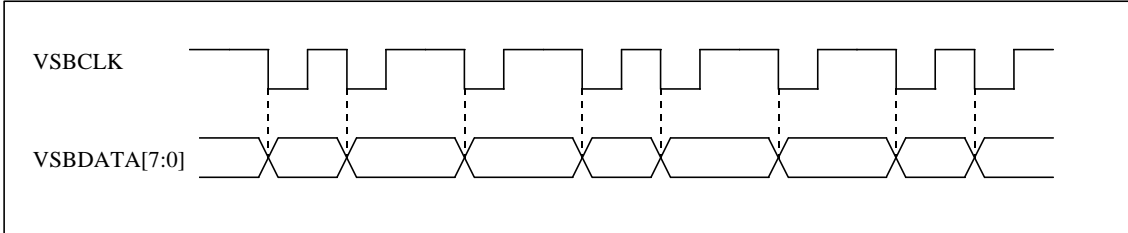


Figure 6.6.13 I/F to Transport Demultiplexer(MMDS 8VSB Mode)

If only I²C register64[7](pase) is set to '0' and other values are reserved as the default, serial interface is offered.

- 1) the VSBDATA[7] signal indicates the start bit of a byte,
- 2) the VSBDATA[0] signal is the serial data output,
- 3) the VSBDATA[6:1] signals are set to "000000". See Fig. 6.6.14.

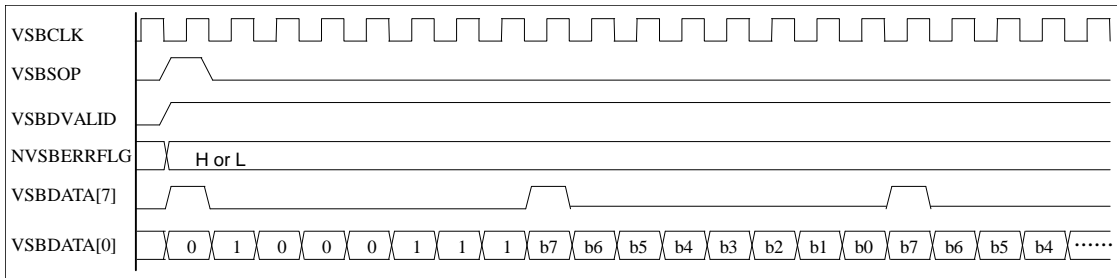


Figure 6.6.14 I/F to Transport Demultiplexer at Serial Output Mode

Connection examples with VSB receivers and transport demultiplexer chips are shown in Fig. 6.6.15 - 6.6.17.

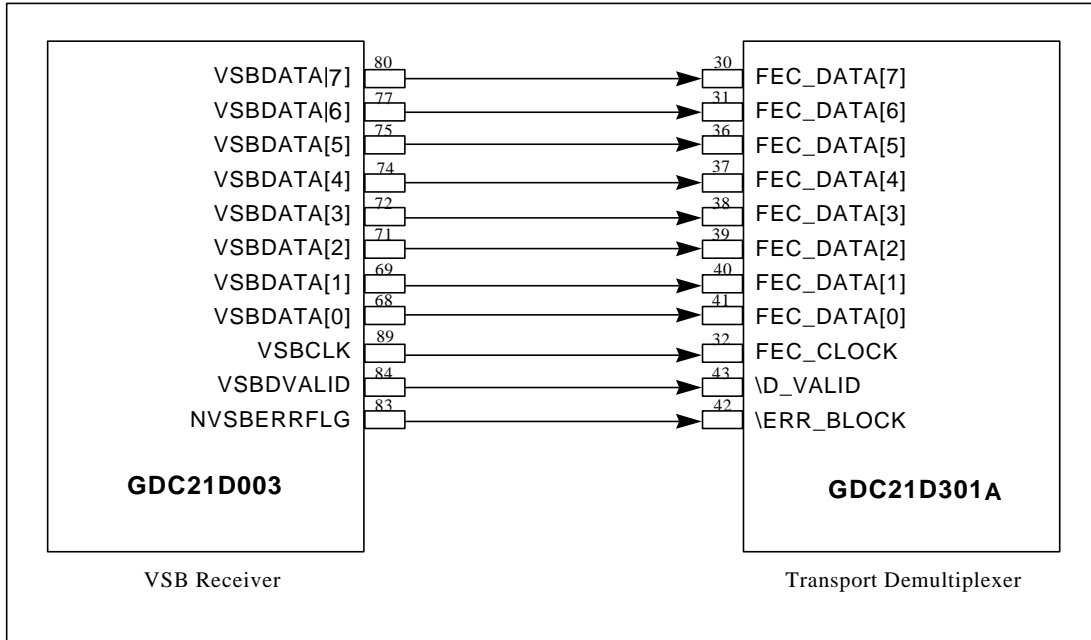


Figure 6.6.15 Connection with VSB Receiver and Transport Demultiplexer Chip(GDC21D301A)

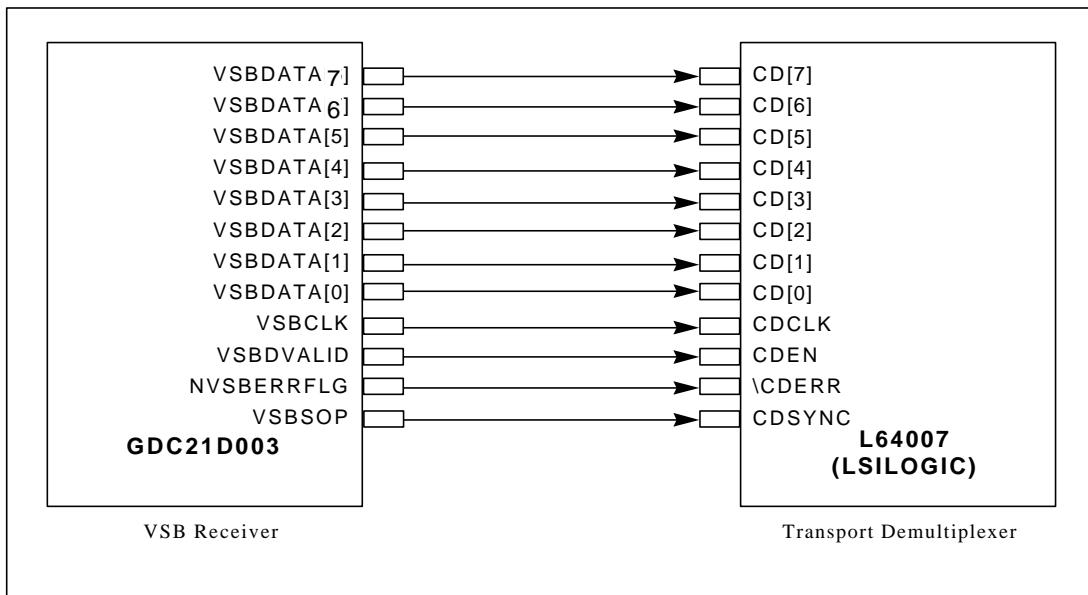


Figure 6.6.16 Connection with VSB Receiver and Transport Demultiplexer Chip(L64007)

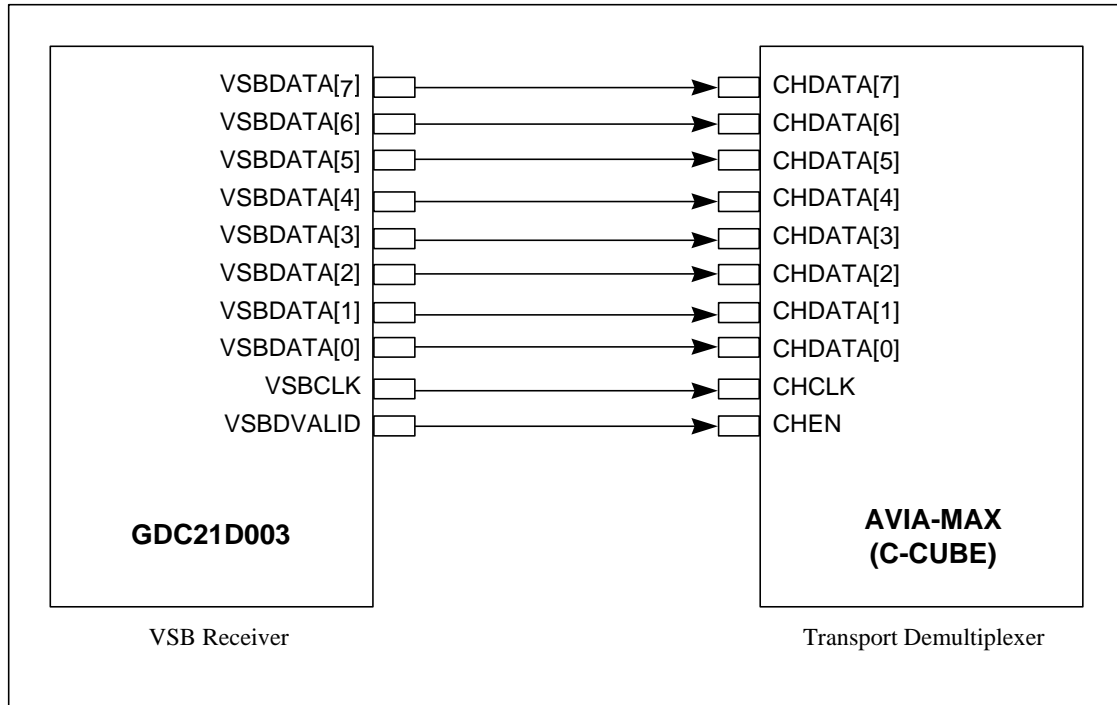


Figure 6.6.17 Connection with VSB Receiver and Transport Demultiplexer Chip(AVIA-MAX)

6.7 PLL

The 4-times multiplexing scheme is used in the 256-tap filter. The PLL is used for generating the 4-times multiplying clock(CLK4EQ). Basically a little jitter between SYMCLK and CLK4EQ may occur. The clock skew due to the jitter can result in abnormal operation in the paths related to both two clocks. We used the following method to make

robust design against the clock skew. The SYMCLK is delayed by 4 CLK4EQ-clock cycles. The delayed clock is CLKEQ. Then the skew between CLKEQ and CLK4EQ is fixed in spite of the jitter of PLL. To fix skew is very useful because it is difficult to estimate the accurate amount of jitter. The scheme is shown in figure 6.7.1.

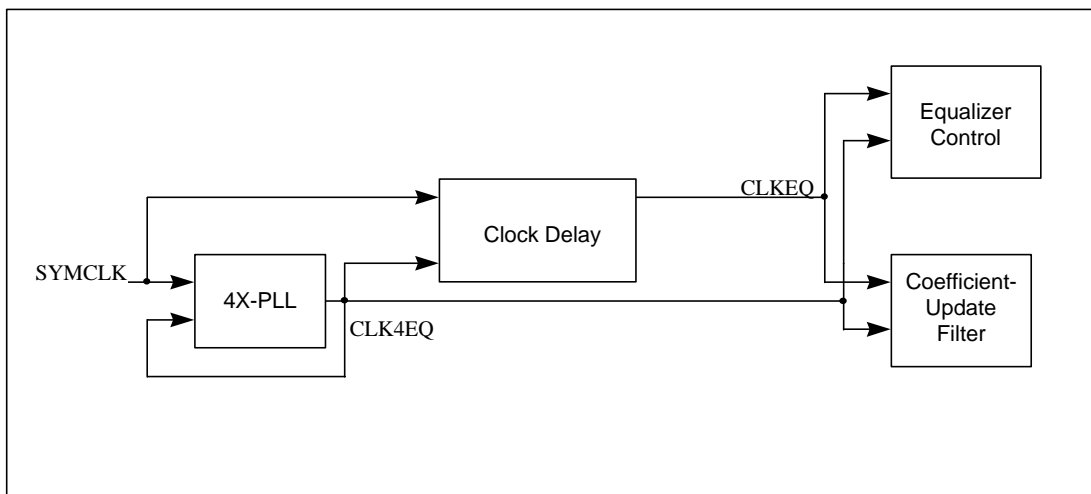


Figure 6.7.1 Clock Scheme

7. Electrical Characteristics

Absolute Maximum Rating

SYMBOL	PARAMETERS	RATING	UNIT
V _{DD}	Power Supply Voltage	- 0.5 ~ 4.6	V
V _I	DC Input Voltage	- 0.5 ~ V _{DD} + 0.5	V
T _{stg}	Storage Temperature	-25 ~ 150	°C

Recommended Operating Range

SYMBOL	PARAMETERS	MIN	MAX	UNIT
V _{DD}	Power Supply Voltage	3.15	3.45	V
T _{opr}	Operating Temperature	0	70	°C

DC Characteristics (VDD = 3.15 V ~ 3.45 V, TA = 0 ~ 70 °C)

SYMBOL	PARAMETERS	MIN	MAX	UNIT
V _{IH}	Input High Voltage	0.7*VDD	VDD + 0.5	V
V _{IL}	Input Low Voltage	- 0.5	0.3*VDD	V
V _{OH}	Output High Voltage	2.4		V
V _{OL}	Output Low Voltage		0.4	V
I _{DD}	Dynamic Supply Current		850	mA
I _{DDs}	Standby Current		30	mA

AC Characteristics (VDD = 3.3 V ± 0.15, TA = 0 ~ 70 °C)

SYMBOL	PARAMETERS	MIN	TYPE	MAX	UNIT
t _{CP}	Clock SYMCLK Period		92.9		ns
t _{IS}	Input Setup Time	10			ns
t _{IH}	Input Hold Time	10			ns
t _{OD1} *	Output Delay time			29	ns
t _{OD2} **	Output Delay time			29	ns
t _{CRH}	Chip Reset Hold Time	20			t _{CP}
t _{IPL}	Internal PLL Lock-up Time			1	ms

* related pins are 68,69,71,72,74,75,77,80,83,84,85,89,108,110

** related pins are 43,44,46,52,53,55,56,57,66,90,92,93,95,96,97,100,102,103,104,106

Timing Specification

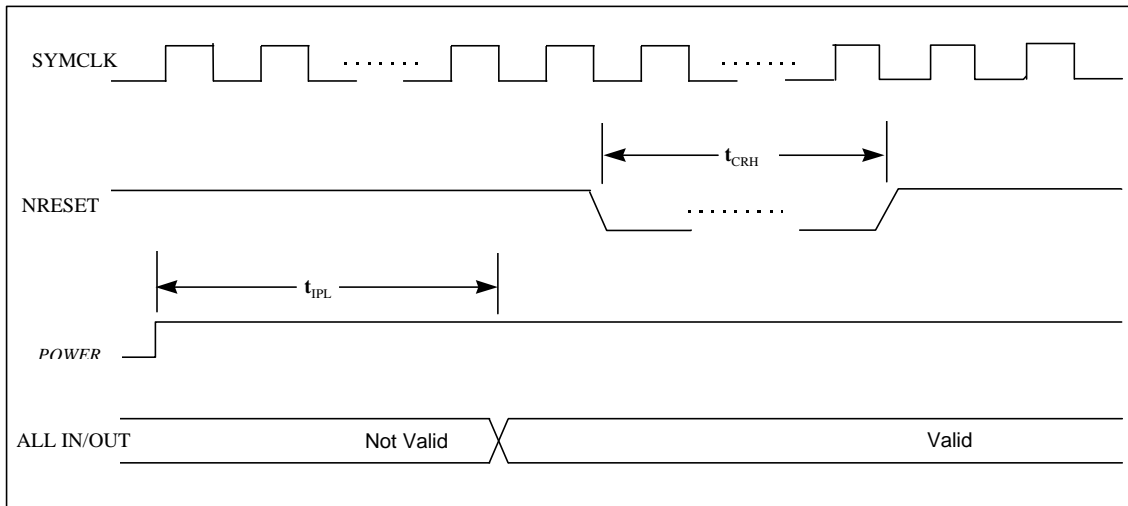


Figure 7.1 Clock Reset Stabilization Timing

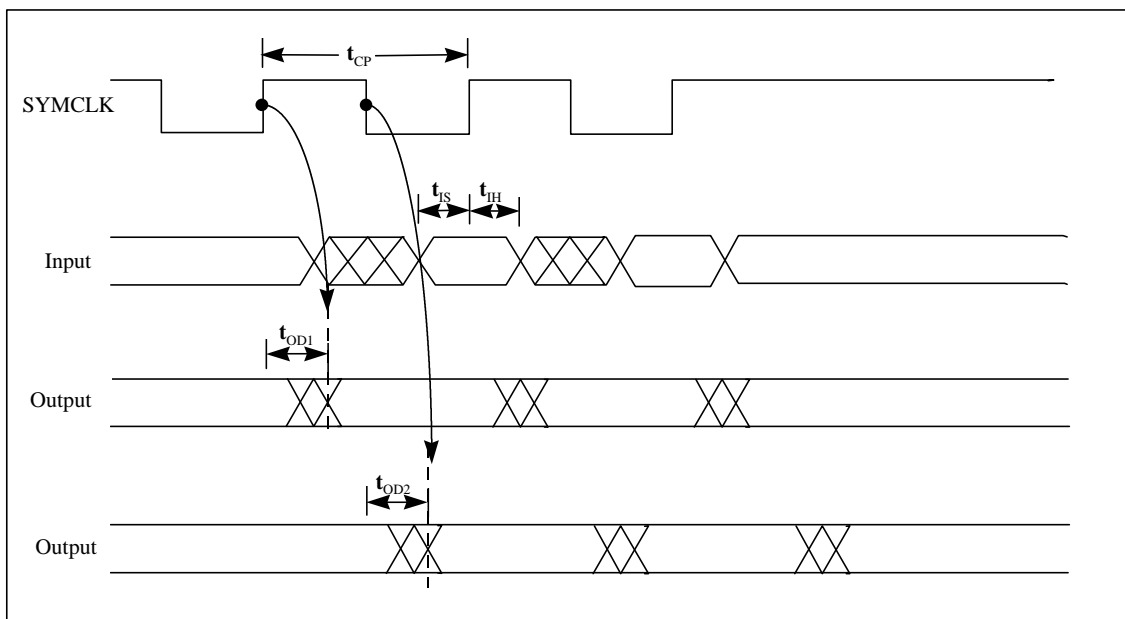


Figure 7.2 Input and Output Timing

8. Package Dimensions

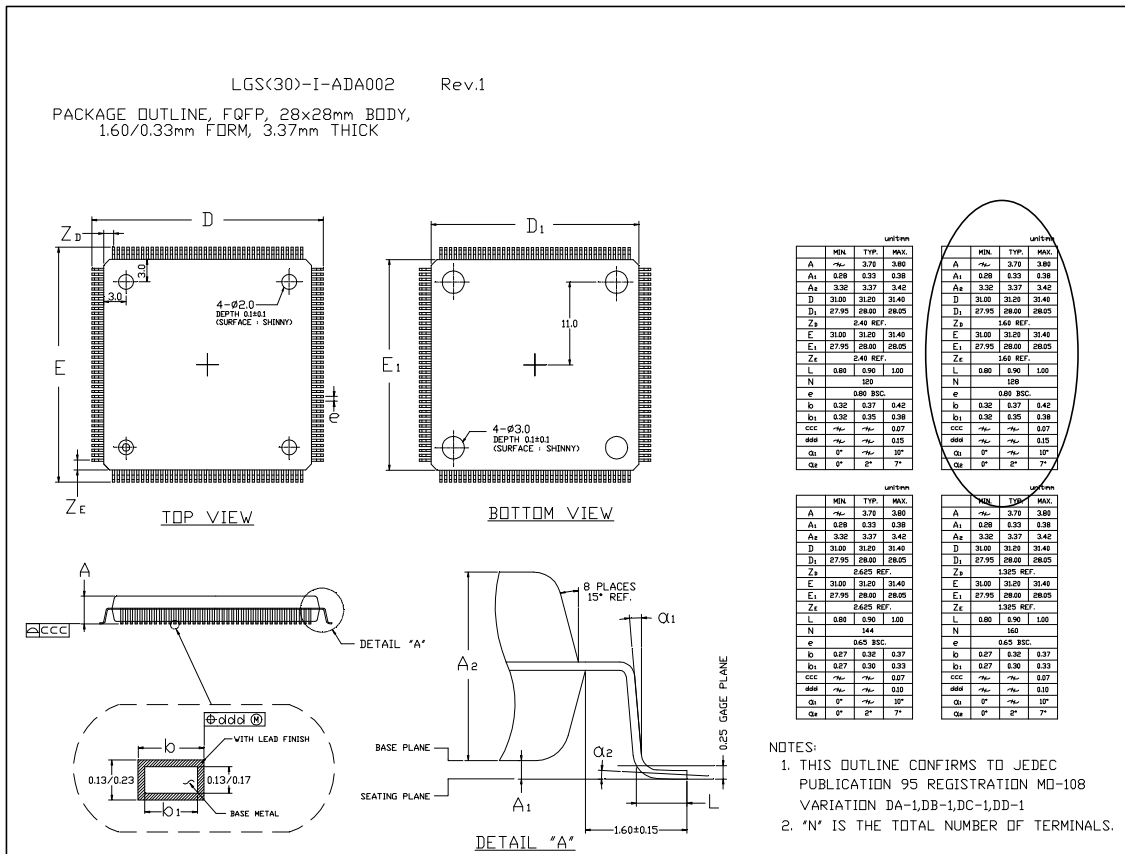


Figure 8.1 Physical Dimensions

