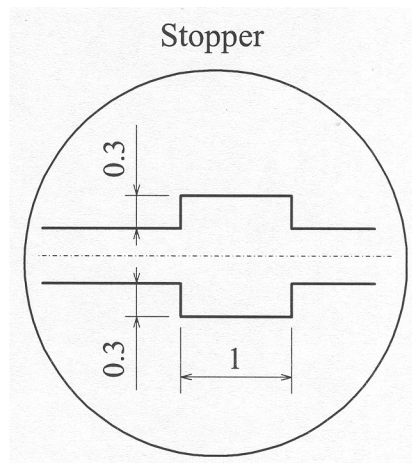
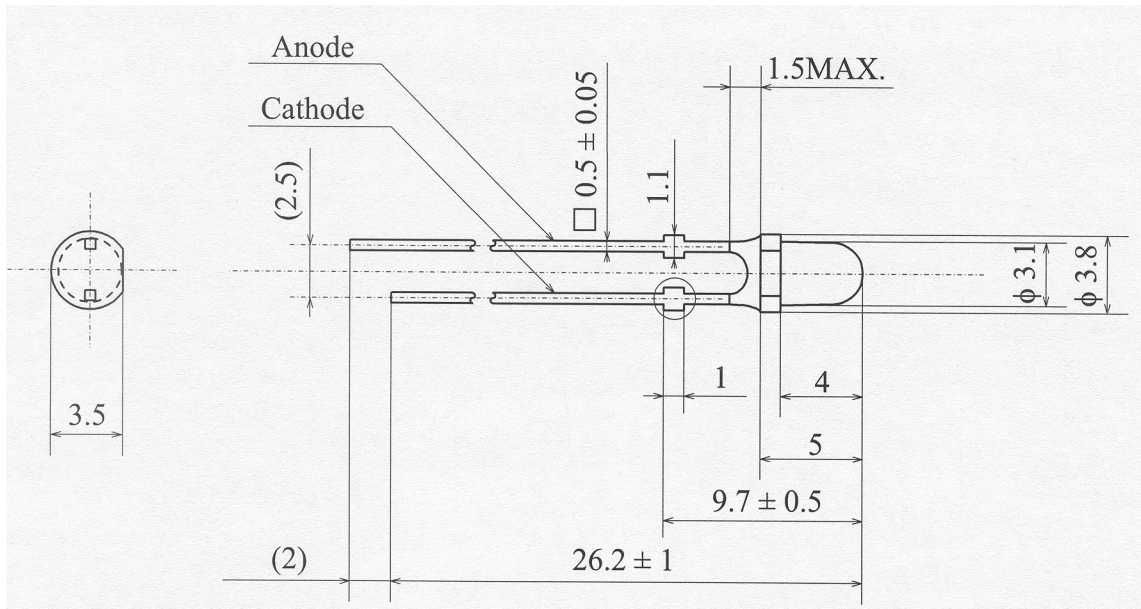


## GHB-3M45-B



## 1.SPECIFICATIONS

### (1) Absolute Maximum Ratings

(Ta=25°C)

Item	Symbol	Absolute Maximum Rating	Unit
Forward Current	I <sub>F</sub>	30	mA
Pulse Forward Current	I <sub>FP</sub>	100	mA
Reverse Voltage	V <sub>R</sub>	5	V
Power Dissipation	P <sub>D</sub>	120	mW
Operating Temperature	T <sub>opr</sub>	-30 ~ + 85	°C
Storage Temperature	T <sub>stg</sub>	-40 ~ +100	°C
Soldering Temperature	T <sub>sld</sub>	265°C for 10sec.	

I<sub>FP</sub> Conditions : Pulse Width ≤ 10msec. and Duty ≤ 1/10

### (2) Initial Electrical/Optical Characteristics

(Ta=25°C)

Item	Symbol	Condition	Min.	Typ.	Max.	Unit	
Forward Voltage	V <sub>F</sub>	I <sub>F</sub> =20[mA]	-	3.6	4.0	V	
Reverse Current	I <sub>R</sub>	V <sub>R</sub> = 5[V]	-	-	50	μA	
Luminous Intensity	Rank T	I <sub>v</sub>	I <sub>F</sub> =20[mA]	820	960	1160	mcd
	Rank S	I <sub>v</sub>	I <sub>F</sub> =20[mA]	580	700	820	mcd
	Rank R	I <sub>v</sub>	I <sub>F</sub> =20[mA]	410	480	580	mcd

\* Measurement Uncertainty of the Luminous Intensity : ± 10%

### Color Rank (I<sub>F</sub>=20mA, Ta=25°C)

	Rank W			
	x	0.11	0.11	0.15
y	0.04	0.10	0.10	0.04

\* Measurement Uncertainty of the Color Coordinates : ± 0.01

\* One delivery will include up to one color rank and three luminous intensity ranks of the products.

The quantity-ratio of the ranks is decided by Nichia.

## 2.TYPICAL INITIAL OPTICAL/ELECTRICAL CHARACTERISTICS

Please refer to figure's page.

## 3.OUTLINE DIMENSIONS AND MATERIALS

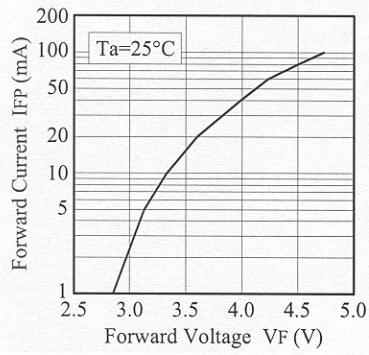
Please refer to figure's page.

Material as follows ;

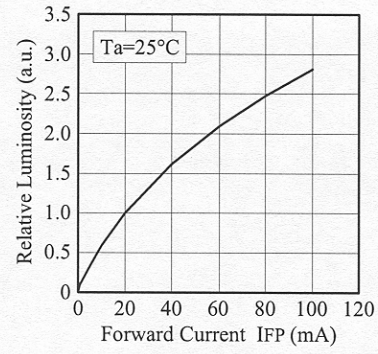
Resin(Mold) : Epoxy Resin

Leadframe : Ag plating Copper Alloy

■ Forward Voltage vs. Forward Current



■ Forward Current vs. Relative Luminosity



■ Spectrum

