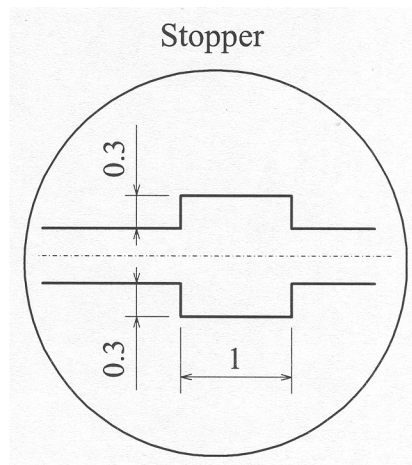
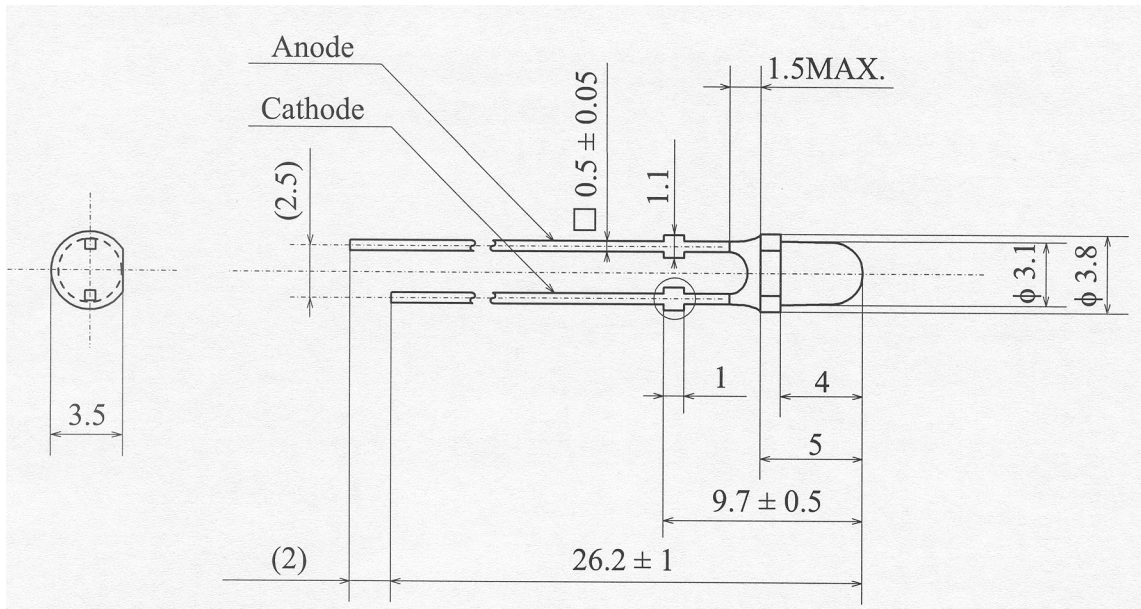


GHB-3M45-G



1. SPECIFICATIONS

(1) Absolute Maximum Ratings

(Ta=25°C)

Item	Symbol	Absolute Maximum Rating	Unit
Forward Current	I _F	30	mA
Pulse Forward Current	I _{FP}	100	mA
Reverse Voltage	V _R	5	V
Power Dissipation	P _D	120	mW
Operating Temperature	T _{opr}	-30 ~ + 85	°C
Storage Temperature	T _{stg}	-40 ~ +100	°C
Soldering Temperature	T _{sld}	265°C for 10sec.	

I_{FP} Conditions : Pulse Width ≤ 10msec. and Duty ≤ 1/10

(2) Initial Electrical/Optical Characteristics

(Ta=25°C)

Item	Symbol	Condition	Min.	Typ.	Max.	Unit	
Forward Voltage	V _F	I _F =20[mA]	-	3.5	4.0	V	
Reverse Current	I _R	V _R = 5[V]	-	-	50	μA	
Luminous Intensity	Rank T	I _v	I _F =20[mA]	2760	3220	3920	mcd
	Rank S	I _v	I _F =20[mA]	1960	2300	2760	mcd
	Rank R	I _v	I _F =20[mA]	1380	1610	1960	mcd

* Measurement Uncertainty of the Luminous Intensity : ± 10%

Color Ranks

(I_F=20mA, Ta=25°C)

Rank G				
x	0.14	0.14	0.22	0.22
y	0.64	0.74	0.74	0.64

Rank H				
x	0.21	0.21	0.28	0.28
y	0.65	0.73	0.73	0.65

* Measurement Uncertainty of the Color Coordinates : ± 0.01

* One delivery will include up to two color ranks and three luminous intensity ranks of the products.

The quantity-ratio of the ranks is decided by Nichia.

2. TYPICAL INITIAL OPTICAL/ELECTRICAL CHARACTERISTICS

Please refer to figure's page.

3. OUTLINE DIMENSIONS AND MATERIALS

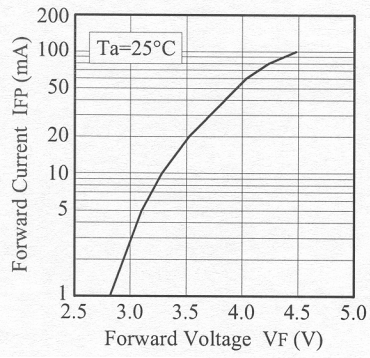
Please refer to figure's page.

Material as follows ;

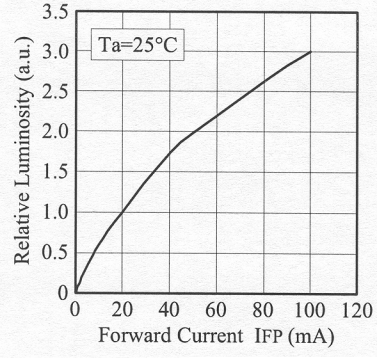
Resin(Mold) : Epoxy Resin

Leadframe : Ag plating Copper Alloy

■ Forward Voltage vs. Forward Current



■ Forward Current vs. Relative Luminosity



■ Spectrum

