

## Description

Dual center tap schottky rectifier designed for high frequency Switched Mode Power Supplies.

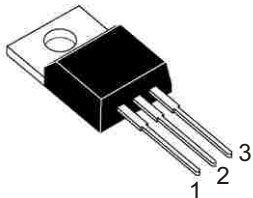
## Major Ratings and Characteristics

Characteristics	Values	Unit
$I_{F(AV)}$ Rectangular waveform	2 X 15	A
$V_{RRM}$	100	V
$V_F$ @15 Apk, $T_C = 125^\circ\text{C}$ (per leg)	0.64	V
$T_J$ range	-45 ~ +150	$^\circ\text{C}$

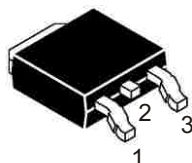
## FEATURES

- ◆ High junction temperature capability
- ◆ Good trade off between leakage current and forward voltage drop
- ◆ Low leakage current

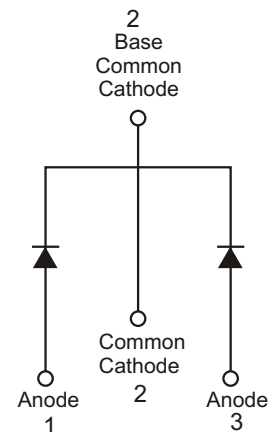
TO-220AB



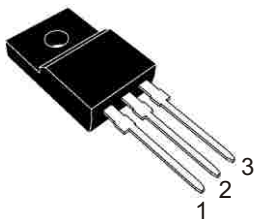
TO-263-2(D<sup>2</sup>PAK)



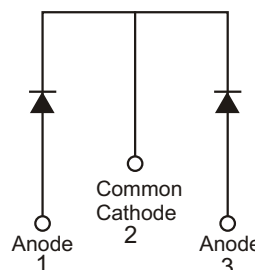
TO-3P



TO-220FPAB

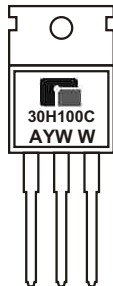


TO-3PF

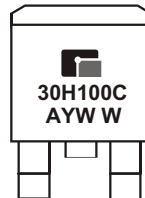


#### ◆ MARKING INFORMATION

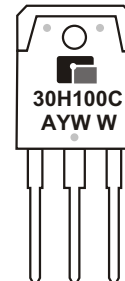
TO - 220AB



TO-263-2 (D<sup>2</sup>PAK)



TO - 3P



A : Assembly Location  
 Y : Year  
 WW : Weekly

#### ◆ ORDERING INFORMATION

Ordering Number	Package	Shipping
GMR30H100CTA3T	TO - 263-2	50 Unit/ Tube
GMR30H100CTA3R	TO - 263-2	800 Unit/ Tape & Reel
GMR30H100CTB3T	TO - 220AB	50 Unit/ Tube
GMR30H100CTBF3T	TO - 220FPAB	50 Unit/ Tube
GMR30H100CTP3T	TO - 3P	30 Unit/ Tube
GMR30H100CTPF3T	TO - 3PF	30 Unit/ Tube

\* For detail Ordering Number identification, please see last page.

#### ◆ ABSOLUTE RATINGS (T<sub>C</sub> = 25°C)

Symbol	Parameter	Value	Unit
V <sub>RRM</sub>	Repetitive peak reverse voltage	100	V
I <sub>F(AV)</sub>	Maximum average forward rectified current	15 30	A
I <sub>FSM</sub>	Peak forward surge current 8.3ms single half sine-wave superimposed on rated load per leg.(Non-Repetitive)	275	A
T <sub>j</sub> , T <sub>stg</sub>	Operating junction temperature and storage temperature	-45 to + 150	°C

## HIGH VOLTAGE POWER SCHOTTKY RECTIFIER

◆ Thermal Characteristics ( $T_c = 25^\circ\text{C}$  unless otherwise noted)

Parameter	Symbol	TO-220AB	TO-220FPAB	TO-263-2	TO-3P	TO-3PF	Unit
Typical thermal resistance per leg	$R_{\Theta JC}$	1.7	3.5	1.7	1.0	1.2	$^\circ\text{C/W}$

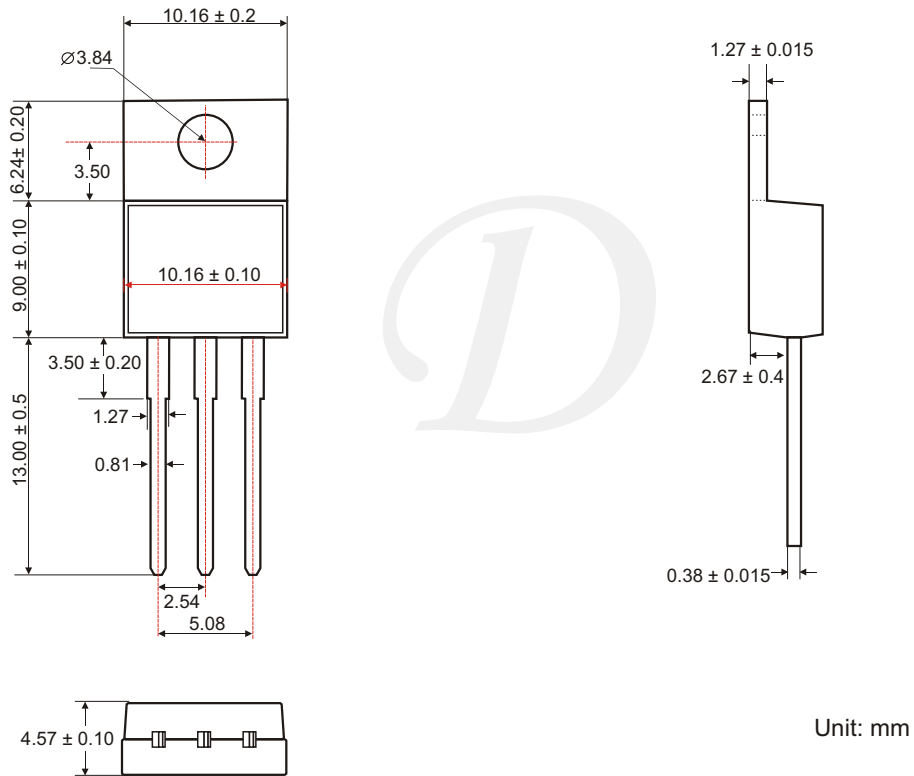
◆ Electrical Characteristics ( $T_c = 25^\circ\text{C}$  unless otherwise noted)

Parameter	Symbol	Value	Unit
Maximum instantaneous forward voltage per leg (Note 1)	$V_F$	$I_F = 15\text{A}, T_C = 25^\circ\text{C}$	0.78
		$I_F = 15\text{A}, T_C = 125^\circ\text{C}$	0.64
		$I_F = 30\text{A}, T_C = 25^\circ\text{C}$	-
		$I_F = 30\text{A}, T_C = 125^\circ\text{C}$	-
Maximum reverse current per leg at working peak reverse voltage (Note 1)	$I_R$	$T_J = 25^\circ\text{C}$	10
		$T_J = 125^\circ\text{C}$	10

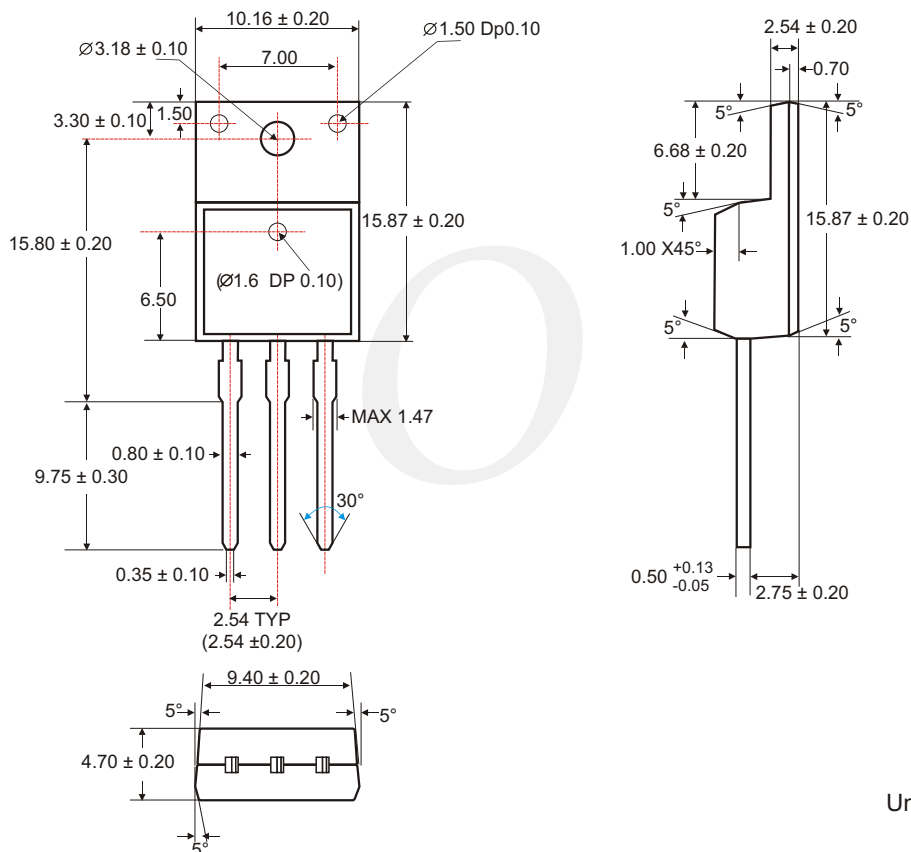
Note 1: Pulse Test: Pulse Width= 300 $\mu\text{s}$ , Duty Cycle  $\leq 2.0\%$

## HIGH VOLTAGE POWER SCHOTTKY RECTIFIER

### ◆ TO-220AB PACKAGE OUTLINE DIMENSIONS

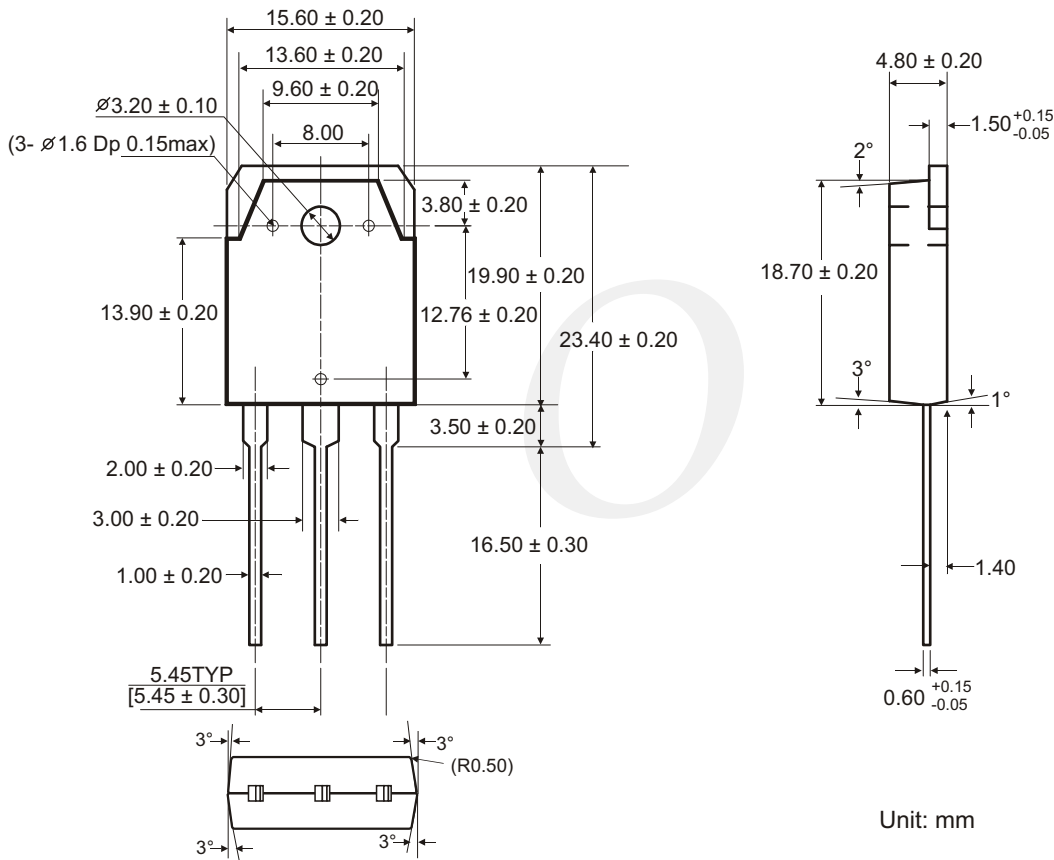


### ◆ TO-220FPAB PACKAGE OUTLINE DIMENSIONS

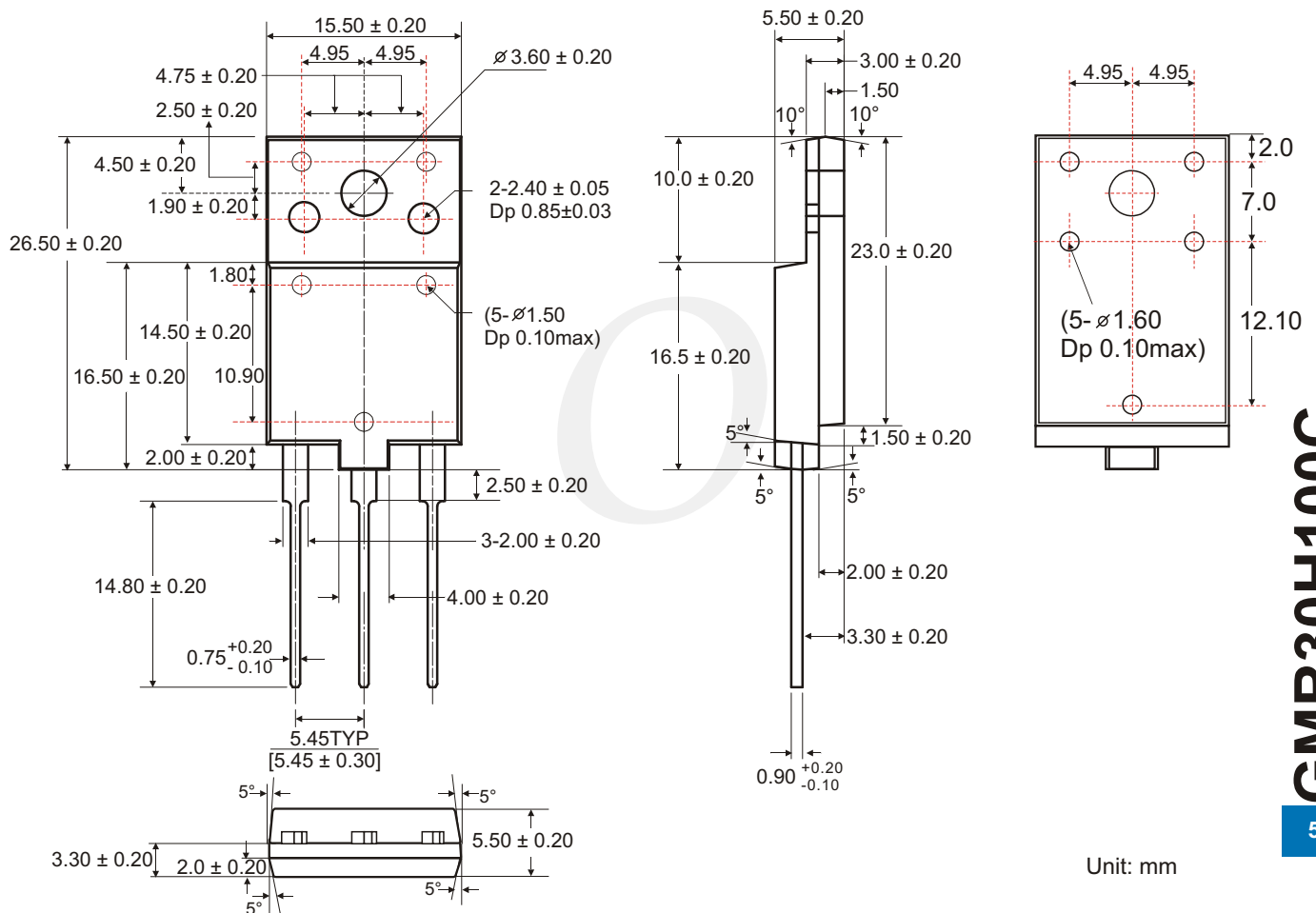


## HIGH VOLTAGE POWER SCHOTTKY RECTIFIER

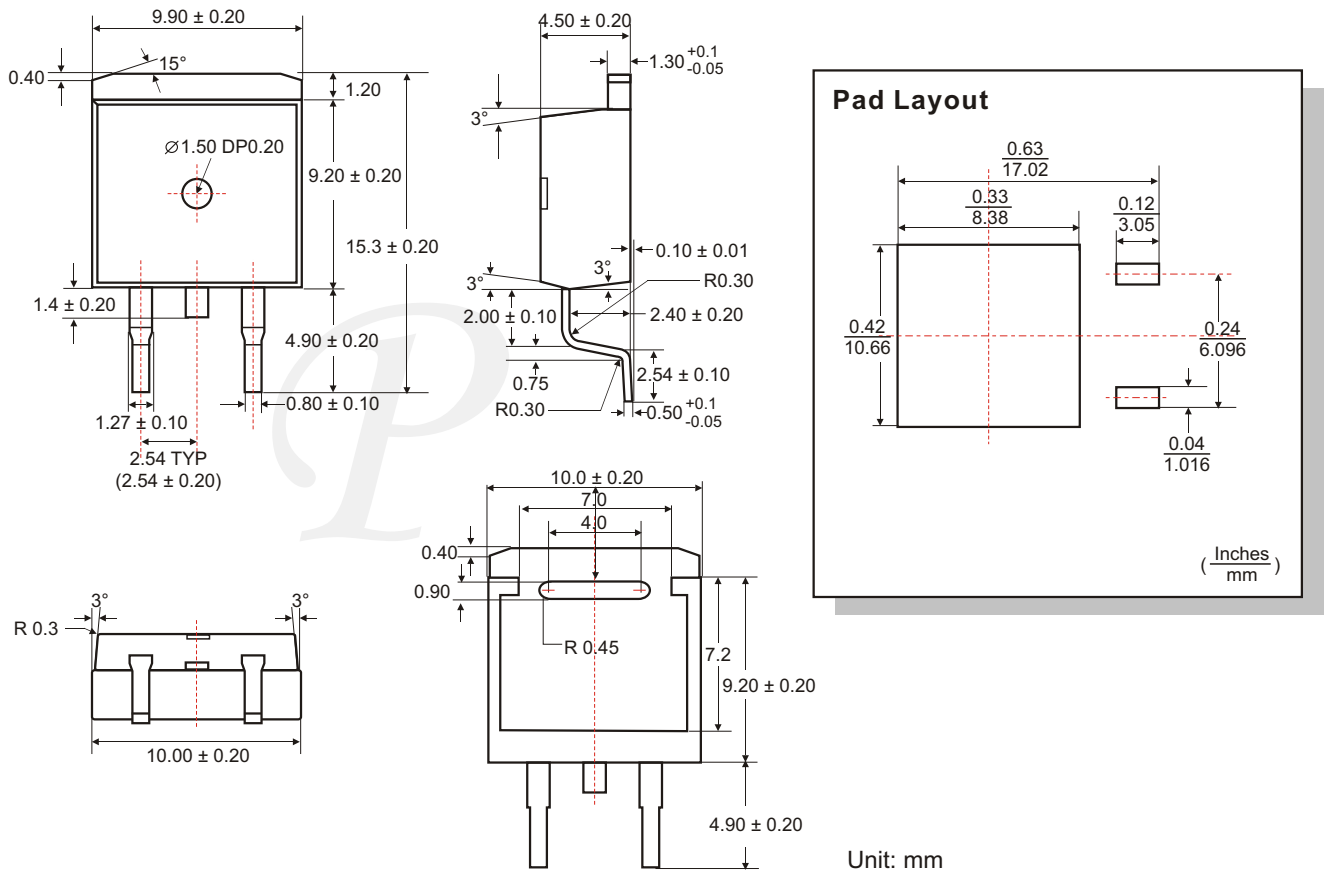
### ◆ TO-3P PACKAGE OUTLINE DIMENSIONS



### ◆ TO-3PF PACKAGE OUTLINE DIMENSIONS



◆ TO-263-2 PACKAGE OUTLINE DIMENSIONS



◆ ORDERING NUMBER

