

HYUNDAI MICRO ELECTRONICS
8-BIT SINGLE-CHIP MICROCONTROLLERS

GMS81508B

GMS81516B

GMS81524B

User's Manual (Ver. 1.04)

Version 1.04

**Published by
MCU Application Team**

©1999 HYUNDAI Micro Electronics All right reserved.

Additional information of this manual may be served by HYUNDAI Micro Electronics offices in Korea or Distributors and Representatives listed at address directory.

HYUNDAI Micro Electronics reserves the right to make changes to any information here in at any time without notice.

The information, diagrams and other data in this manual are correct and reliable; however, HYUNDAI Micro Electronics is in no way responsible for any violations of patents or other rights of the third party generated by the use of this manual.

Table of Contents

1. OVERVIEW	1	Transmission/Receiving Timing	50
Description	1	The Serial I/O operation by SRDY pin	50
Features	1	The method of Serial I/O	51
Development Tools	2	The Method to Test Correct Transmission	51
Ordering Information	2	14. PWM OUTPUT	52
2. BLOCK DIAGRAM	3	15. BUZZER FUNCTION	55
3. PIN ASSIGNMENT	4	16. INTERRUPTS	57
4. PACKAGE DIAGRAM	6	Interrupt Sequence	59
5. PIN FUNCTION.....	8	BRK Interrupt	60
6. PORT STRUCTURES.....	10	Multi Interrupt	61
7. ELECTRICAL CHARACTERISTICS	12	External Interrupt	61
Absolute Maximum Ratings	12	17. WATCHDOG TIMER	64
Recommended Operating Conditions	12	18. POWER DOWN OPERATION.....	66
A/D Converter Characteristics	12	STOP Mode	66
DC Electrical Characteristics	13	Minimizing Current Consumption	67
AC Characteristics	14	19. OSCILLATOR CIRCUIT.....	69
Serial Interface Timing Characteristics	15	20. RESET	70
Typical Characteristic Curves	16	External Reset Input	70
8. MEMORY ORGANIZATION.....	18	Watchdog Timer Reset	70
Registers	18	21. POWER FAIL PROCESSOR.....	71
Program Memory	21	22. OTP PROGRAMMING.....	73
Data Memory	24	How to Program	73
Addressing Mode	27	Pin Function	73
9. I/O PORTS	31	Programming Specification	76
10. BASIC INTERVAL TIMER.....	34	A. CONTROL REGISTER LIST	i
11. TIMER/EVENT COUNTER	36	B. SOFTWARE EXAMPLE	iii
8-bit Timer / Counter Mode	38	7-segment LED display	iii
16-bit Timer / Counter Mode	42	C. INSTRUCTION.....	viii
8-bit Capture Mode	43	Terminology List	viii
16-bit Capture Mode	44	Instruction Map	ix
12. ANALOG DIGITAL CONVERTER.....	46	Instruction Set	x
13. SERIAL COMMUNICATION	48	D. MASK ORDER SHEET	xvi

GMS81508B/16B/24B

CMOS SINGLE-CHIP 8-BIT MICROCONTROLLER WITH A/D CONVERTER

1. OVERVIEW

1.1 Description

The GMS81508B/16B/24B are advanced CMOS 8-bit microcontrollers with 8K/16K/24K bytes of ROM. The device is one of GMS800 family. This device using the GMS800 family CPU includes several peripheral functions such as Timer, A/D converter, Programmable buzzer driver, Serial I/O communication, Pulse Width Modulation function, etc. The RAM, ROM, and I/O are placed on the same memory map in addition to simple instruction set.

The GMS815xxB is functionally 100% compatible with earlier GMS81508/16 or GMS81508A/16A, however better characteristics have such as strong EMS, wide operating voltage, temperature, frequency and fast programming time for the OTP.

Device name	ROM Size	RAM Size	OTP	Package
GMS81508B	8K bytes	448 bytes	GMS81516BT	64SDIP, 64MQFP, 64LQFP
GMS81516B	16K bytes	448 bytes	GMS81516BT	
GMS81524B	24K bytes	448 bytes	GMS81524BT	

1.2 Features

- 8K/16K/24K Bytes On-chip Program Memory
- 448 Bytes of On-chip Data RAM (Included stack memory)
- Minimum Instruction Execution Time 0.5 μ s at 8MHz
- One 8-bit Basic Interval Timer
- Four 8-bit Timer/Event counter or Two 16-bit Timer/Event counter
- One 6-bit Watchdog timer
- Eight channel 8-bit A/D converter
- Two channel 8-bit PWM
- One 8-bit Serial Communication Interface
- Four External Interrupt input ports
- Buzzer Driving port
 - 500Hz ~ 250kHz@8MHz
- 52 I/O Ports, 4 Input Ports
- Twelve Interrupt sources
 - Basic Interval Timer: 1
 - External input: 4
 - Timer/Event counter: 4
 - ADC: 1
 - Serial Interface: 1
 - WDT: 1
- Built in Noise Immunity Circuit
 - Noise filter
 - Power fail processor
- Power Down Mode
 - STOP mode
- 2.2V to 5.5V Wide Operating Range
- 1~10MHz Wide Operating Frequency
- 64SDIP, 64MQFP, 64LQFP package types
- Available 16K, 24K bytes OTP version

1.3 Development Tools

The GMS815xxB are supported by a full-featured macro assembler, an in-circuit emulator CHOICE-Jr.TM and OTP programmers. There are third different type programmers such as emulator add-on board type, single type, gang type. For mode detail, Refer to “22. OTP PROGRAMMING” on page 73. Macro assembler operates under the MS-Windows 95/98TM.

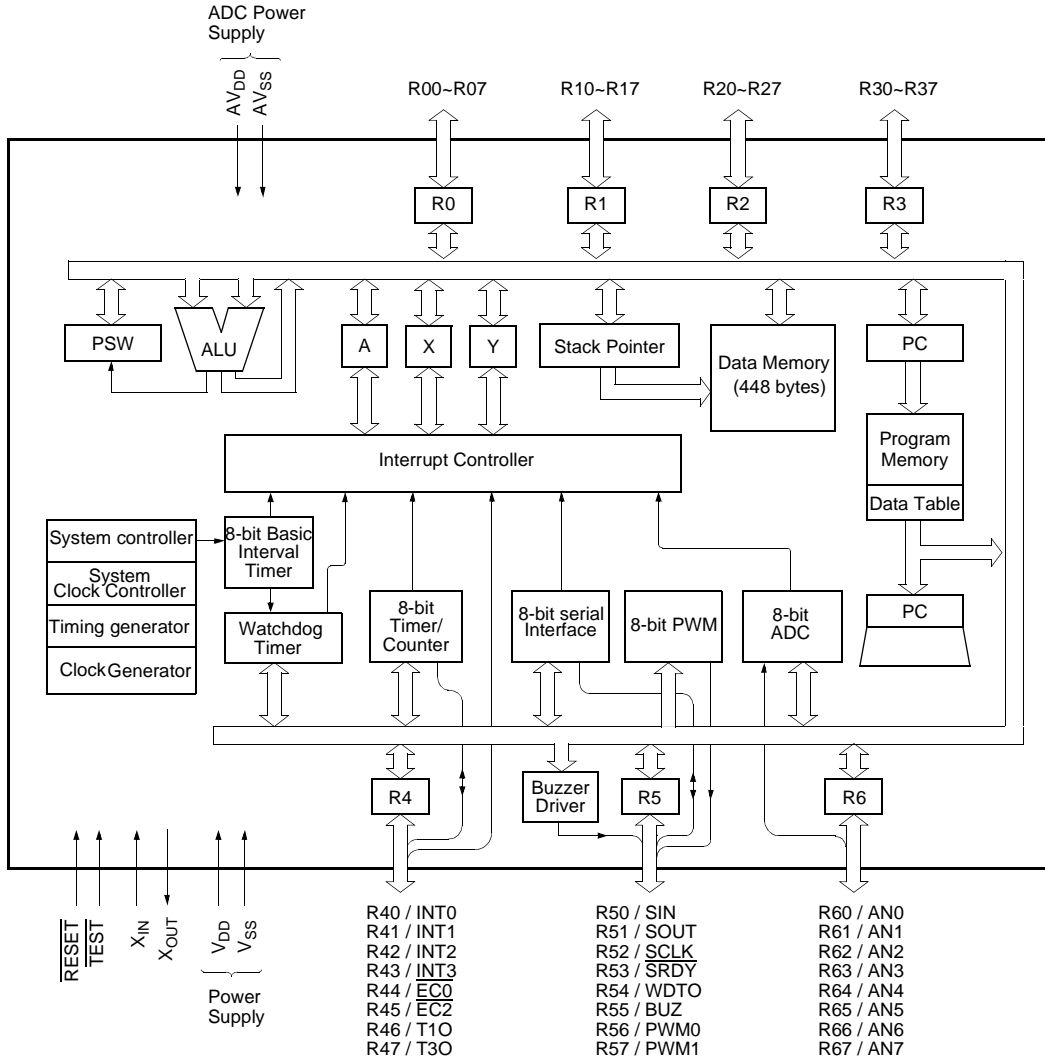
Please contact sales part of Hyundai MicroElectronics.



1.4 Ordering Information

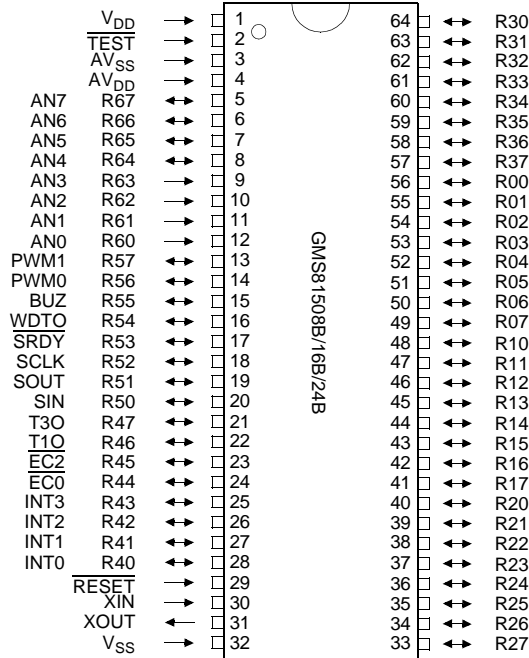
	Device name	ROM Size	RAM size	Package
Mask version	GMS81508B K	8K bytes	448 bytes	64SDIP
	GMS81508B Q	8K bytes	448 bytes	64MQFP
	GMS81508B LQ	8K bytes	448 bytes	64LQFP
	GMS81516B K	16K bytes	448 bytes	64SDIP
	GMS81516B Q	16K bytes	448 bytes	64MQFP
	GMS81516B LQ	16K bytes	448 bytes	64LQFP
	GMS81524B K	24K bytes	448 bytes	64SDIP
	GMS81524B Q	24K bytes	448 bytes	64MQFP
	GMS81524B LQ	24K bytes	448 bytes	64LQFP
OTP version	GMS81516BT K	16K bytes OTP	448 bytes	64SDIP
	GMS81516BT Q	16K bytes OTP	448 bytes	64MQFP
	GMS81516BT LQ	16K bytes OTP	448 bytes	64LQFP
	GMS81524BT K	24K bytes OTP	448 bytes	64SDIP
	GMS81524BT Q	24K bytes OTP	448 bytes	64MQFP
	GMS81524BT LQ	24K bytes OTP	448 bytes	64LQFP

2. BLOCK DIAGRAM

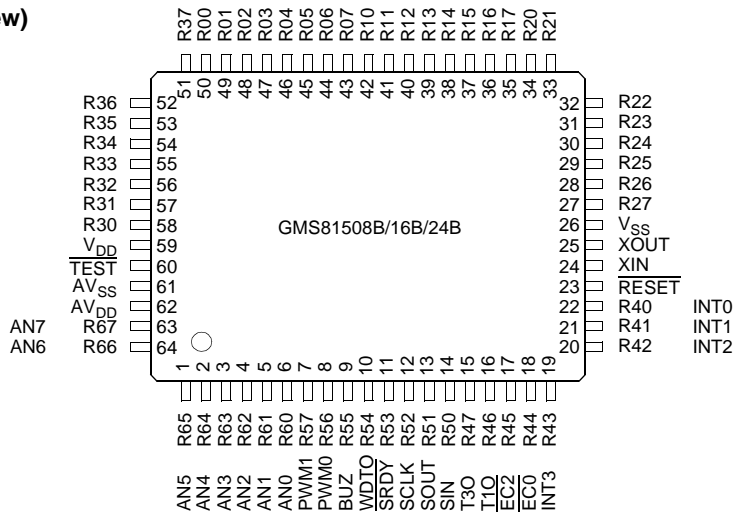


3. PIN ASSIGNMENT

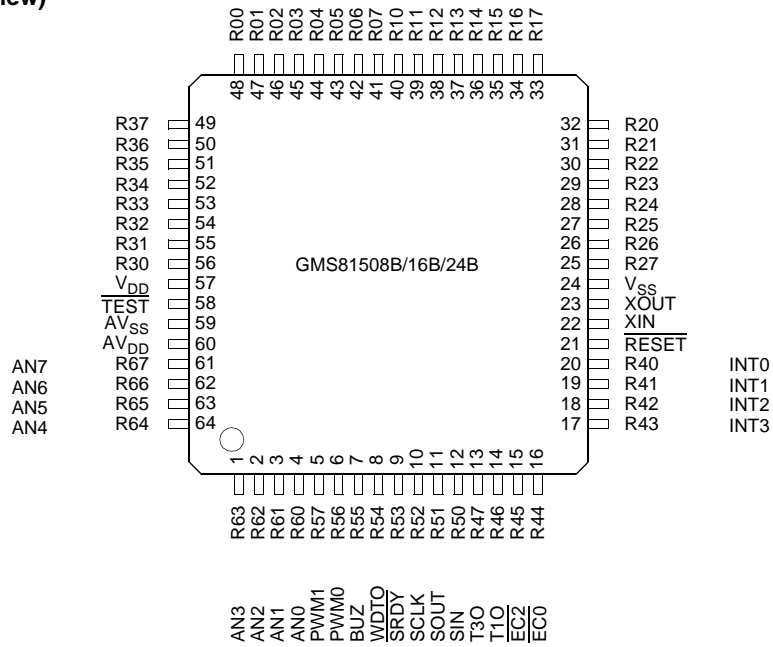
**64SDIP
(Top View)**



**64MQFP
(Top View)**

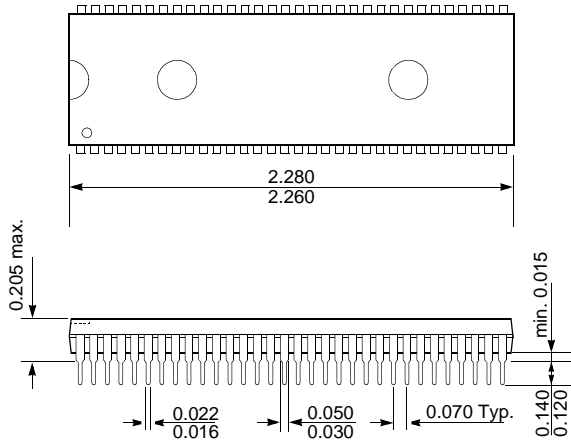


64LQFP
(Top View)

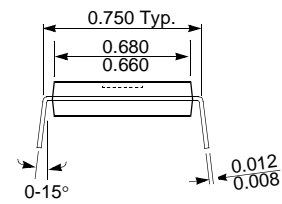


4. PACKAGE DIAGRAM

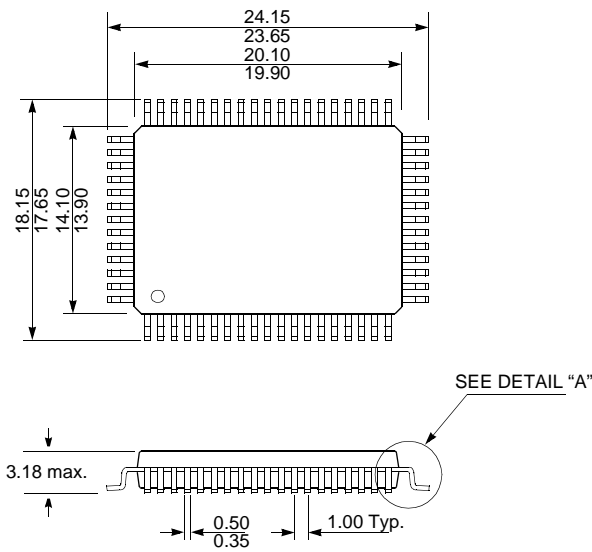
64SDIP



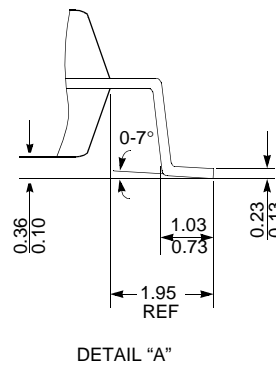
UNIT: INCH

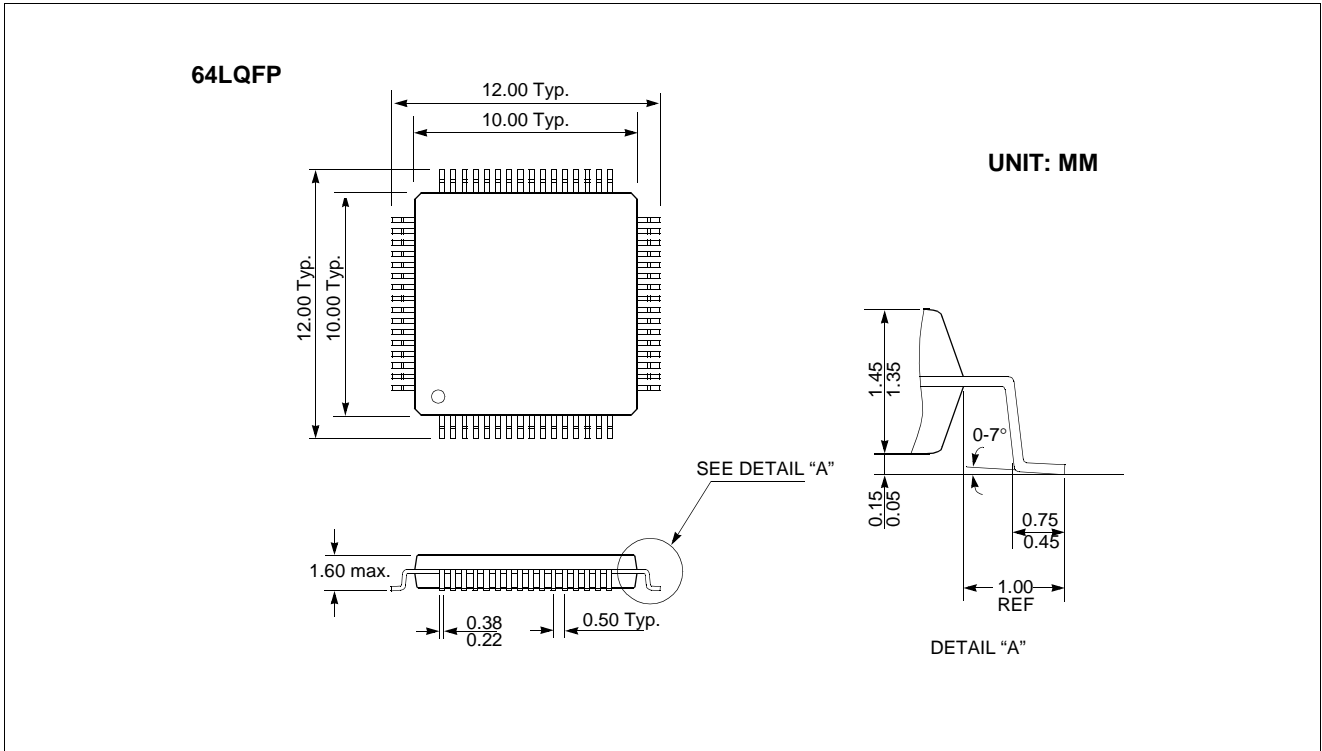


64MQFP



UNIT: MM





5. PIN FUNCTION

V_{DD} : Supply voltage.

V_{SS} : Circuit ground.

TEST: Used for Test Mode. For normal operation, it should be connected to V_{DD} .

RESET: Reset the MCU.

X_{IN} : Input to the inverting oscillator amplifier and input to the internal main clock operating circuit.

X_{OUT} : Output from the inverting oscillator amplifier.

R00~R07: R0 is an 8-bit CMOS bidirectional I/O port. R0 pins 1 or 0 written to the Port Direction Register can be used as outputs or inputs.

R10~R17: R1 is an 8-bit CMOS bidirectional I/O port. R1 pins 1 or 0 written to the Port Direction Register can be used as outputs or inputs.

R20~R27: R2 is an 8-bit CMOS bidirectional I/O port. R2 pins 1 or 0 written to the Port Direction Register can be used as outputs or inputs.

R30~R37: R3 is an 8-bit CMOS bidirectional I/O port. R3 pins 1 or 0 written to the Port Direction Register can be used as outputs or inputs.

R40~R47: R4 is an 8-bit CMOS bidirectional I/O port. R4 pins 1 or 0 written to the Port Direction Register can be used as outputs or inputs.

In addition, R4 serves the functions of the various following special features.

Port pin	Alternate function
R40	INT0 (External interrupt 0)
R41	INT1 (External interrupt 1)
R42	INT2 (External interrupt 2)
R43	INT3 (External interrupt 3)
R44	$\overline{EC0}$ (Event counter input 0)
R45	$\overline{EC2}$ (Event counter input 2)
R46	T1O (Timer/Counter 1 output)
R47	T3O (Timer/Counter 3 output)

R50~R57: R5 is an 8-bit CMOS bidirectional I/O port. R5 pins 1 or 0 written to the Port Direction Register can be

used as outputs or inputs.

In addition, R5 serves the functions of the various following special features.

Port pin	Alternate function
R50	SIN (Serial data input)
R51	SOUT (Serial data output)
R52	SCLK (Serial clock)
R53	\overline{SRDY} (Serial ready)
R54	WDTO (Watchdog Timer output)
R55	BUZ (Buzzer driver output)
R56	PWM0 (PWM output 0)
R57	PWM1 (PWM output 1)

R60~R67: R6 is an 8-bit CMOS bidirectional I/O port. R6 pins 1 or 0 written to the Port Direction Register can be used as outputs or inputs.

In addition, R6 is shared with the ADC input.

Port pin	Alternate function
R60	AN0 (Analog Input 0)
R61	AN1 (Analog Input 1)
R62	AN2 (Analog Input 2)
R63	AN3 (Analog Input 3)
R64	AN4 (Analog Input 4)
R66	AN5 (Analog Input 5)
R66	AN6 (Analog Input 6)
R67	AN7 (Analog Input 7)

Note: On the MDS Choice, when the MCU is RESET, R60 can not be used digital input port. For more detail, refer to "9. I/O PORTS" on page 31.

AV_{DD} : Supply voltage to the ladder resistor of ADC circuit. To enhance the resolution of analog to digital converter, use independent power source as well as possible, other than digital power source.

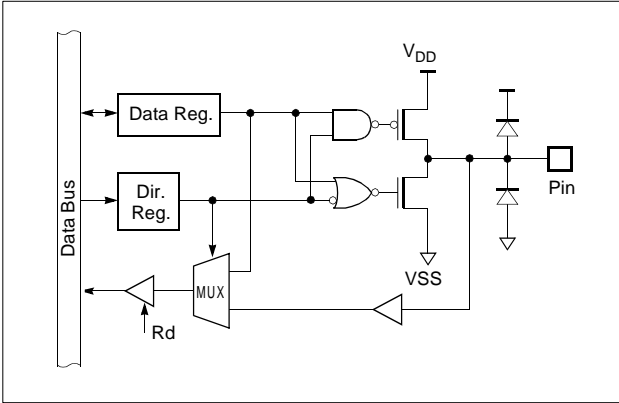
AV_{SS} : ADC circuit ground.

PIN NAME	In/Out	Function	
		Basic	Alternate
V _{DD}	-	Supply voltage	
V _{SS}	-	Circuit ground	
$\overline{\text{TEST}}$	I	Controls test mode of the chip, For normal operation, it should be connected at V _{DD} .	
$\overline{\text{RESET}}$	I	Reset signal input	
X _{IN}	I	Oscillation input	
X _{OUT}	O	Oscillation output	
R00~R07	I/O	8-bit general I/O ports	
R10~R17	I/O	8-bit general I/O ports	
R20~R27	I/O	8-bit general I/O ports	
R30~R37	I/O	8-bit general I/O ports	
R40 (INT0)	I/O (I)	8-bit general I/O ports	External interrupt 0 input
R41 (INT1)	I/O (I)		External interrupt 1 input
R42 (INT2)	I/O (I)		External interrupt 2 input
R43 (INT3)	I/O (I)		External interrupt 3 input
R44 ($\overline{\text{EC0}}$)	I/O (I)		Timer/Counter 0 external input
R45 ($\overline{\text{EC2}}$)	I/O (I)		Timer/Counter 2 external input
R46 (T1O)	I/O (O)		Timer/Counter 1 output
R47 (T3O)	I/O (O)		Timer/Counter 3 output
R50 (SIN)	I/O (I)	8-bit general I/O ports	Serial data input
R51 (SOUT)	I/O (O)		Serial data output
R52 (SCLK)	I/O (I/O)		Serial clock I/O
R53 ($\overline{\text{SRDY}}$)	I/O (I/O)		Receive enable I/O
R54 (WDTO)	I/O (O)		Watchdog timer overflow output
R55 (BUZ)	I/O (O)		Buzzer driving output
R56 (PWM0)	I/O (O)		PWM pulse output
R57 (PWM1)	I/O (O)		
R60~R63 (AN0~AN3)	I (I)	General input ports	Analog voltage input
R64~R67 (AN4~AN7)	I/O (I)	General I/O ports	
AV _{SS}	-	Ground level input pin for ADC	
AV _{DD}	-	Supply voltage input pin for ADC	

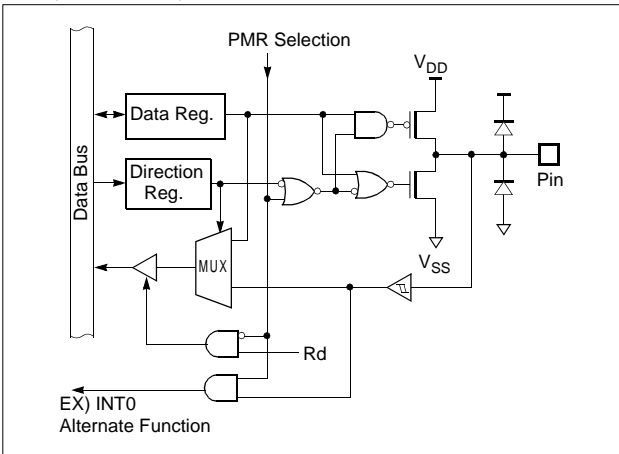
Table 5-1 Port Function Description

6. PORT STRUCTURES

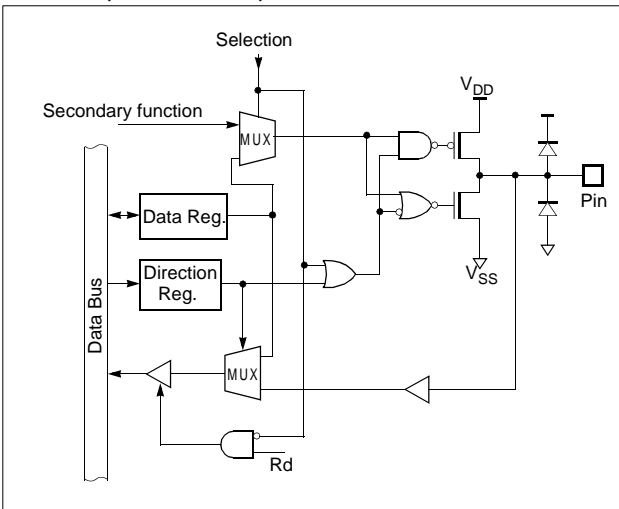
R00~R07, R10~R17, R20~R27, R30~37



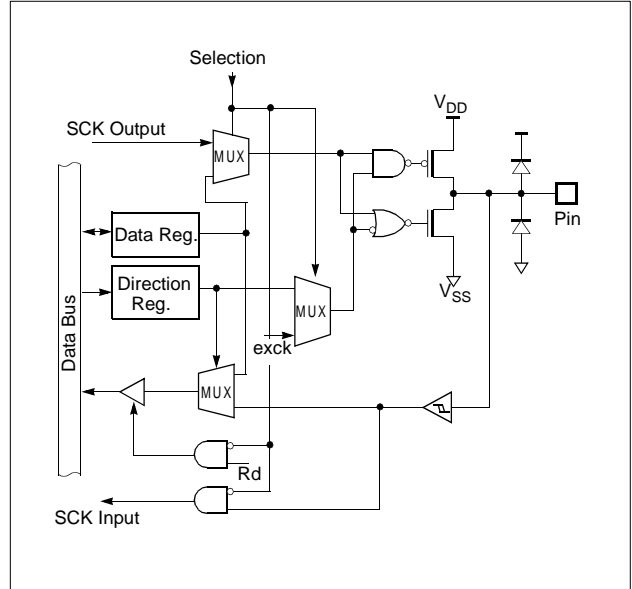
R40/INT0, R41/INT1, R42/INT2, R43/INT3, R44/EC0, R45/EC2, R50/SIN



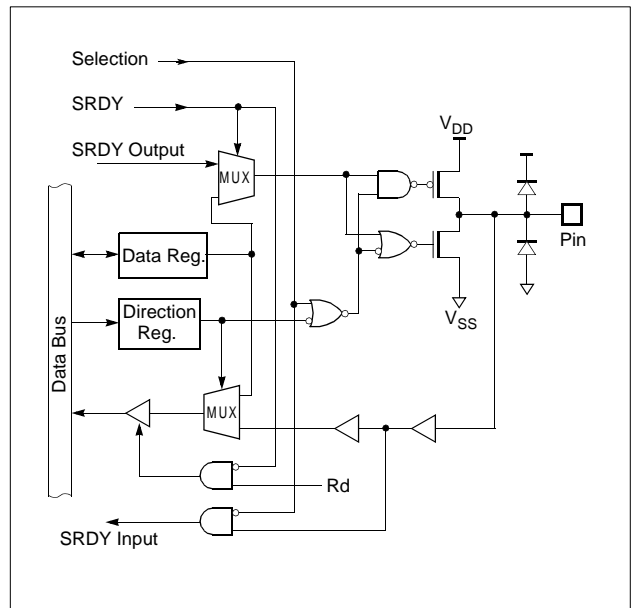
R46/T10, R47/T30, R51/SOUT, R54/WDT0, R55BUZ, R56/PWM0, R57/PWM1



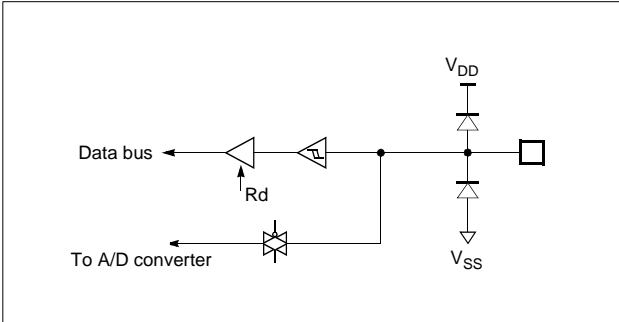
R52/SCLK



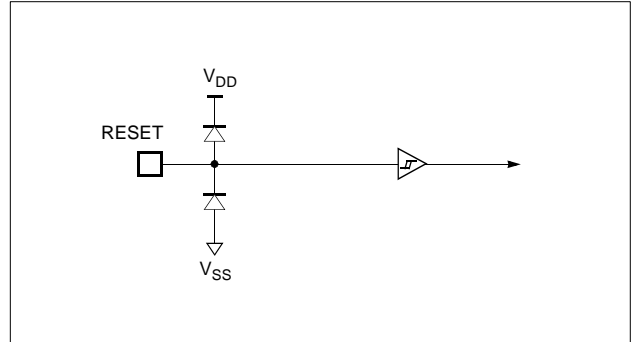
S53/SRDY



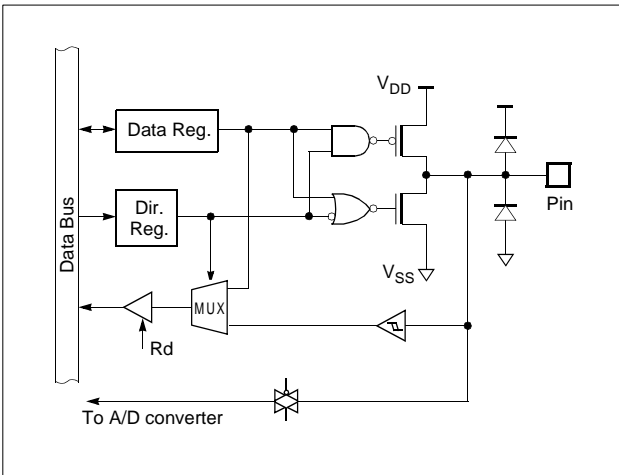
R60/AN0 ~ R63/AN3



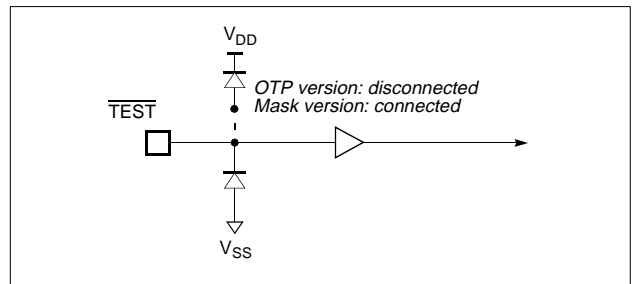
RESET



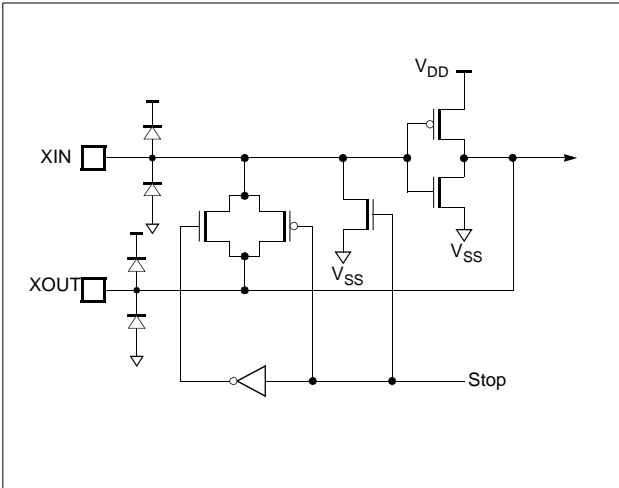
R64/AN7 ~ R67/AN7



TEST



X_{IN}, X_{OUT}



7. ELECTRICAL CHARACTERISTICS

7.1 Absolute Maximum Ratings

Supply voltage	-0.3 to +7.0 V
Storage Temperature	-40 to +125 °C
Voltage on any pin with respect to Ground (V_{SS})	-0.3 to $V_{DD}+0.3$
Maximum current out of V_{SS} pin	150 mA
Maximum current into V_{DD} pin	80 mA
Maximum current sunk by (I_{OL} per I/O Pin)	20 mA
Maximum output current sourced by (I_{OH} per I/O Pin)	8 mA

Maximum current (ΣI_{OL})	100 mA
Maximum current (ΣI_{OH})	50 mA

Note: Stresses above those listed under "Absolute Maximum Ratings" may cause permanent damage to the device. This is a stress rating only and functional operation of the device at any other conditions above those indicated in the operational sections of this specification is not implied. Exposure to absolute maximum rating conditions for extended periods may affect device reliability.

7.2 Recommended Operating Conditions

Parameter	Symbol	Condition	Specifications		Unit
			Min.	Max.	
Supply Voltage	V_{DD}	$f_{XIN}=1 \sim 10$ MHz $f_{XIN}=1 \sim 8$ MHz $f_{XIN}=1 \sim 4$ MHz	4.5 2.7 2.2	5.5 5.5 5.5	V
Operating Frequency	f_{XIN}	$V_{DD}=4.5\sim 5.5$ V $V_{DD}=2.7\sim 5.5$ V $V_{DD}=2.2\sim 5.5$ V	1 1 1	10 8 4	MHz
Operating Temperature	T_{OPR}	Normal Version Temperature Extension Version	-20 -40	85 85	°C

7.3 A/D Converter Characteristics

($T_A=25^\circ\text{C}$, $V_{SS}=0\text{V}$, $V_{DD}=5.12\text{V}@f_{XIN}=8\text{MHz}$, $V_{DD}=3.072\text{V}@f_{XIN}=4\text{MHz}$)

Parameter	Symbol	Specifications				Unit
		Min.	Typ. ¹	Max.		
				$f_{XIN}=4\text{MHz}$	$f_{XIN}=8\text{MHz}$	
Analog Input Voltage Range	V_{AIN}	V_{SS}	-	AV_{DD}	AV_{DD}	V
Non-linearity Error	N_{NLE}	-	± 1.0	± 1.5	± 1.5	LSB
Differential Non-linearity Error	N_{DNLE}	-	± 1.0	± 1.5	± 1.5	LSB
Zero Offset Error	N_{ZOE}	-	± 0.5	± 1.5	± 1.5	LSB
Full Scale Error	N_{FSE}	-	± 0.35	± 0.5	± 0.5	LSB
Gain Error	N_{GE}	-	± 1.0	± 1.5	± 1.5	LSB
Overall Accuracy	N_{ACC}	-	± 1.0	± 1.5	± 1.5	LSB
AV_{DD} Input Current	I_{REF}	-	0.5	1.0	1.0	mA
Conversion Time	T_{CONV}	-	-	40	20	μs

Parameter	Symbol	Specifications				Unit
		Min.	Typ. ¹	Max.		
				f _{XIN} =4MHz	f _{XIN} =8MHz	
Analog Power Supply Input Range	AV _{DD}	0.9V _{DD}	V _{DD}	1.1V _{DD}		V

1. Data in "Typ" column is at 25°C unless otherwise stated. These parameters are for design guidance only and are not tested.

7.4 DC Electrical Characteristics

(T_A=-20~85°C, V_{DD}=2.7~5.5V, T_a= -20~85°C, f_{XIN}=8MHz, V_{SS}=0V),

Parameter	Symbol	Condition	Specifications			Unit	
			Min.	Typ. ¹	Max.		
Input High Voltage	V _{IH1}	V _{DD} =4.5 V _{DD} =2.7	X _{IN} , $\overline{\text{RESET}}$, R4, R5, R6	0.8V _{DD}	-	V _{DD} +0.3	V
	V _{IH2}		R0, R1, R2, R3	0.7V _{DD}	-	V _{DD} +0.3	
Input Low Voltage	V _{IL1}	V _{DD} =4.5 V _{DD} =2.7	X _{IN} , $\overline{\text{RESET}}$, R4, R5, R6		-	0.2V _{DD}	V
	V _{IL2}		R0, R1, R2, R3		-	0.3V _{DD}	
Output High Voltage	V _{OH}	V _{DD} =4.5 V _{DD} =2.7 I _{OH1} =-2mA	R0,R1,R2,R3,R4,R5 R6	V _{DD} -1.0	-	-	V
Output Low Voltage	V _{OL}	V _{DD} =4.5 V _{DD} =2.7 I _{OL1} =5mA	R0,R1,R2,R3,R4,R5 R6	-	-	1.0	V
Power Fail Detect Voltage	V _{PFD}	V _{PFD} =3.0V V _{PFD} =2.4V	@ T _A =25°C	0.9V _{PFD}		1.1V _{PFD}	V
Input High Leakage Current	I _{IH1}	V _{IN} =V _{DD}	All input pins	-5.0	-	5.0	μA
Input Low Leakage Current	I _{IL}	V _{IN} =V _{SS}	All input pins	-5.0	-	5.0	μA
Hysteresis	V _{T+} , V _{T-}		$\overline{\text{RESET}}$, $\overline{\text{EC0}}$, $\overline{\text{EC2}}$, SIN, SCLK, INT0~INT3	0.3		0.8	V
Power Current	I _{DD1}	f _{XIN} =8MHz	All input = V _{SS} Crystal Oscillator,	-	8	20	mA
	I _{DD2}	f _{XIN} =4MHz	C _{L1} =C _{L2} =30pF		4	10	mA
	I _{STOP}		All input = V _{SS}	-	1	10	μA

1. Data in "Typ." column is at 4.5V, 25°C unless otherwise stated. These parameters are for design guidance only and are not tested.

7.5 AC Characteristics

($T_A = -20 \sim +85^\circ\text{C}$, $V_{DD} = 5\text{V} \pm 10\%$, $V_{SS} = 0\text{V}$)

Parameter	Symbol	Pins	Specifications			Unit
			Min.	Typ.	Max.	
Operating Frequency	f_{XIN}	X_{IN}	1.0	-	10.0	MHz
Oscillation Stabilizing Time	t_{ST}	X_{IN}, X_{OUT}	-	-	20	ms
External Clock Pulse Width	t_{CPW}	X_{IN}	40	-	-	ns
External Clock Transition Time	t_{RCP}, t_{FCP}	X_{IN}	-	-	20	ns
Interrupt Pulse Width	t_{IW}	INT0, INT1, INT2, INT3	2	-	-	t_{SYS}
RESET Input Width	t_{RST}	RESET	8	-	-	t_{SYS}
Event Counter Input Pulse Width	t_{ECW}	EC0, EC2	2	-	-	t_{SYS}
Event Counter Transition Time	t_{REC}, t_{FEC}	EC0, EC2	-	-	20	ns

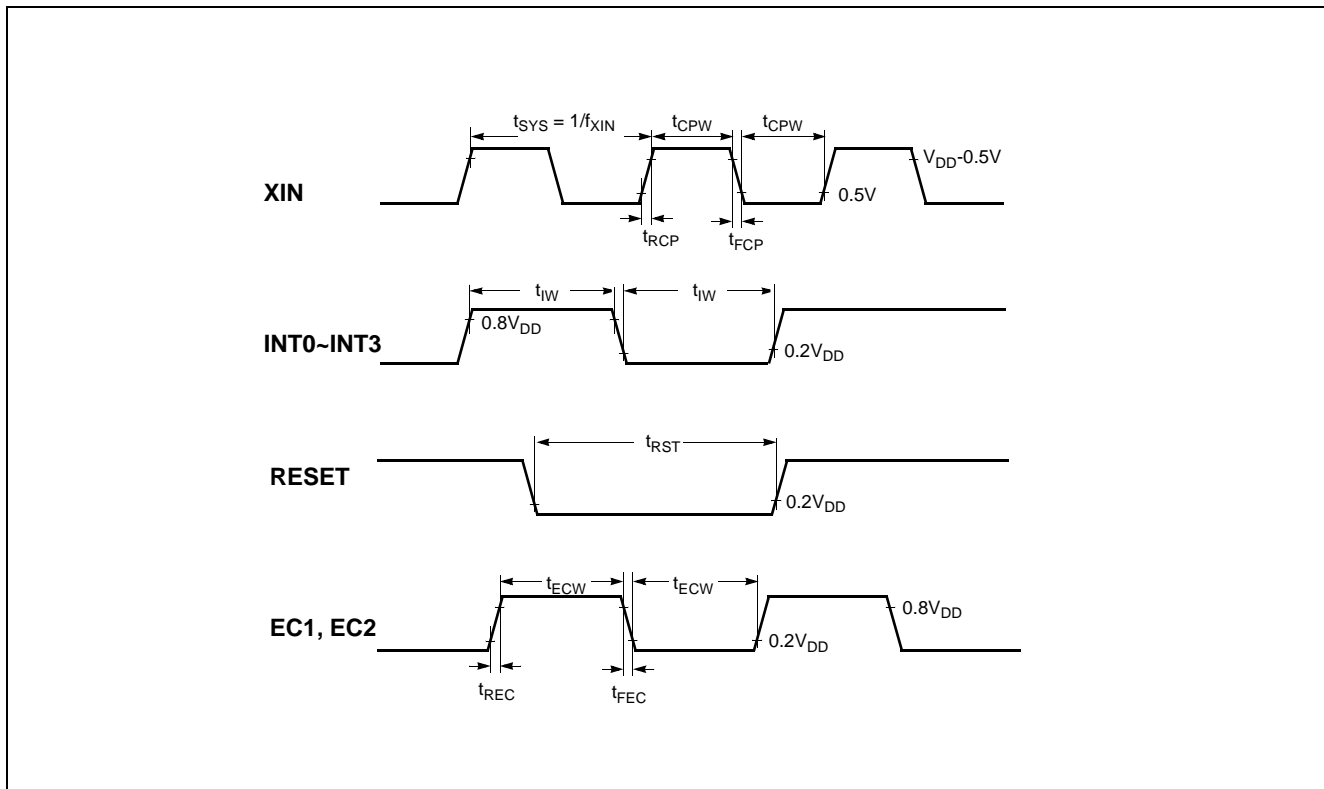


Figure 7-1 Timing Chart

7.6 Serial Interface Timing Characteristics

($T_A = -20 \sim +85^\circ\text{C}$, $V_{DD} = 5\text{V} \pm 10\%$, $V_{SS} = 0\text{V}$, $f_{XIN} = 8\text{MHz}$)

Parameter	Symbol	Pins	Specifications			Unit
			Min.	Typ.	Max.	
Serial Input Clock Pulse	t_{SCYC}	SCLK	$2t_{SYS} + 200$	-	8	ns
Serial Input Clock Pulse Width	t_{SCKW}	SCLK	$t_{SYS} + 70$	-	8	ns
Serial Input Clock Pulse Transition Time	t_{FSCK} t_{RSCK}	SCLK	-	-	30	ns
SIN Input Pulse Transition Time	t_{FSIN} t_{RSIN}	SIN	-	-	30	ns
SIN Input Setup Time (External SCLK)	t_{SUS}	SIN	100	-	-	ns
SIN Input Setup Time (Internal SCLK)	t_{SUS}	SIN	200	-	-	ns
SIN Input Hold Time	t_{HS}	SIN	$t_{SYS} + 70$	-	-	ns
Serial Output Clock Cycle Time	t_{SCYC}	SCLK	$4t_{SYS}$	-	$16t_{SYS}$	ns
Serial Output Clock Pulse Width	t_{SCKW}	SCLK	$t_{SYS} - 30$	-	-	ns
Serial Output Clock Pulse Transition Time	t_{FSCK} t_{RSCK}	SCLK	-	-	30	ns
Serial Output Delay Time	t_{SOUT}	SOUT	-	-	100	ns

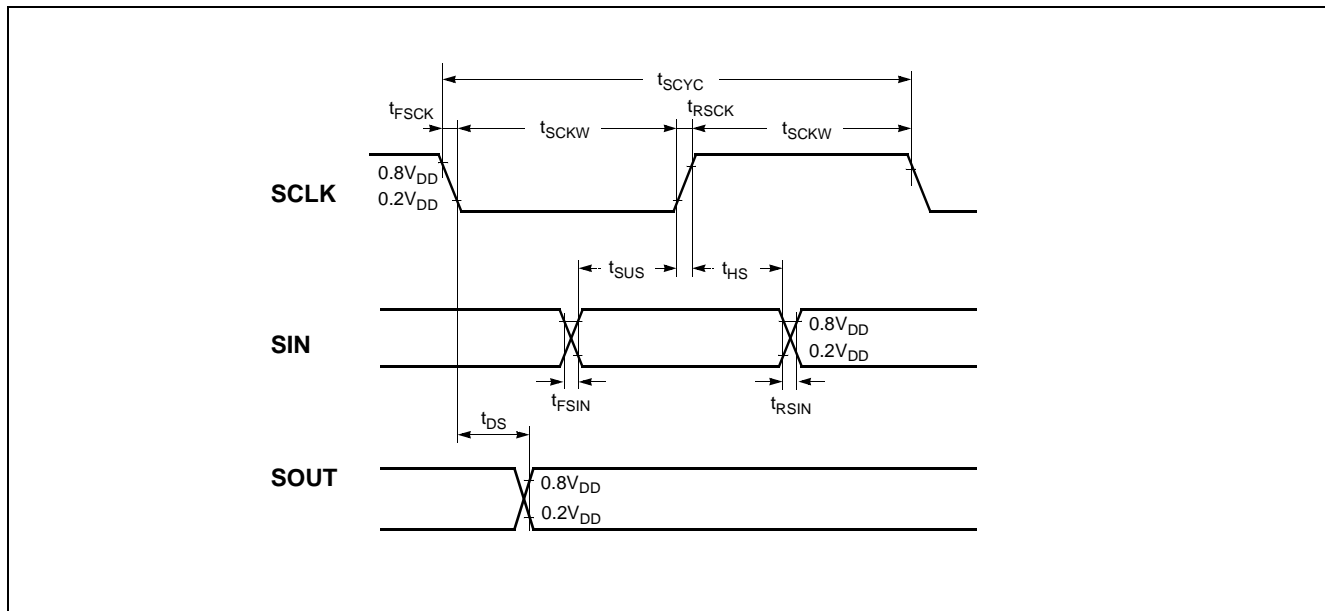


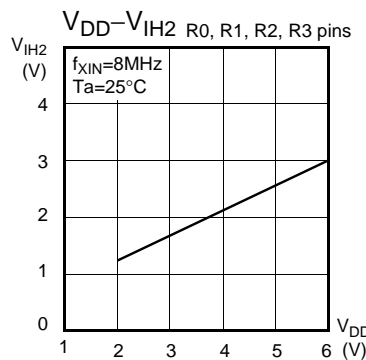
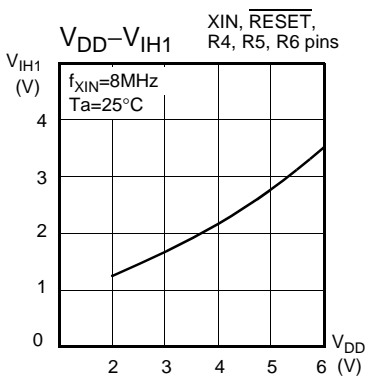
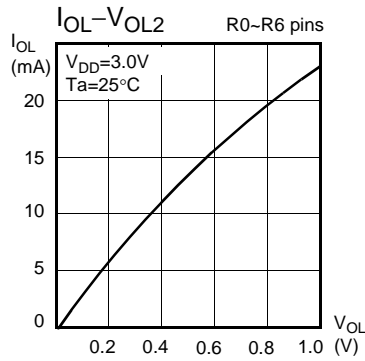
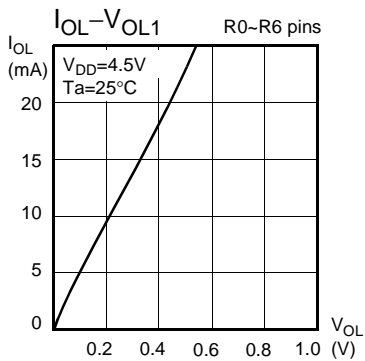
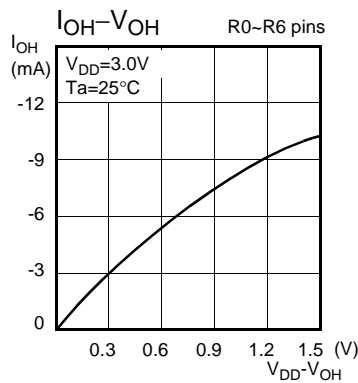
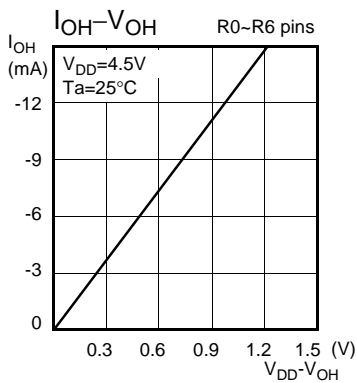
Figure 7-2 Serial I/O Timing Chart

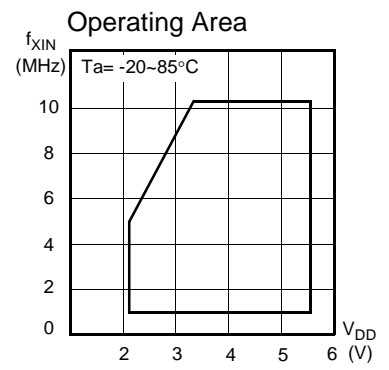
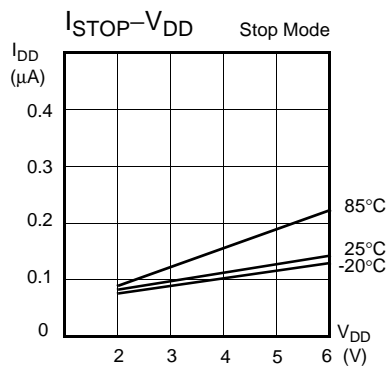
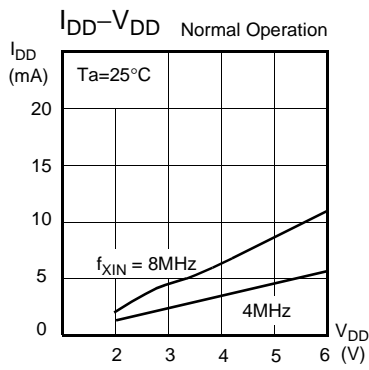
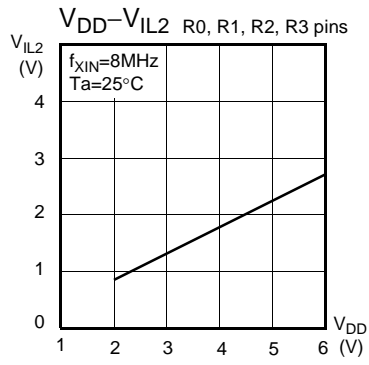
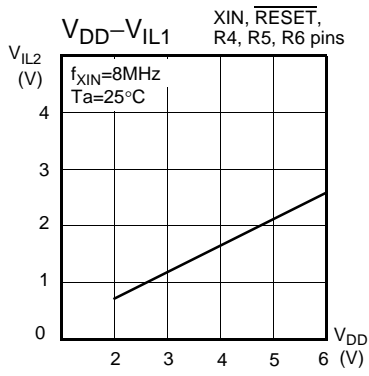
7.7 Typical Characteristic Curves

This graphs and tables provided in this section are for design guidance only and are not tested or guaranteed.

In some graphs or tables the data presented are outside specified operating range (e.g. outside specified V_{DD} range). This is for information only and devices are guaranteed to operate properly only within the specified range.

The data presented in this section is a statistical summary of data collected on units from different lots over a period of time. “Typical” represents the mean of the distribution while “max” or “min” represents (mean + 3σ) and (mean - 3σ) respectively where σ is standard deviation





8. MEMORY ORGANIZATION

The GMS81508B/16B/24B has separate address spaces for Program memory and Data Memory. Program memory can only be read, not written to. It can be up to 24K bytes

8.1 Registers

This device has six registers that are the Program Counter (PC), a Accumulator (A), two index registers (X, Y), the Stack Pointer (SP), and the Program Status Word (PSW). The Program Counter consists of 16-bit register.

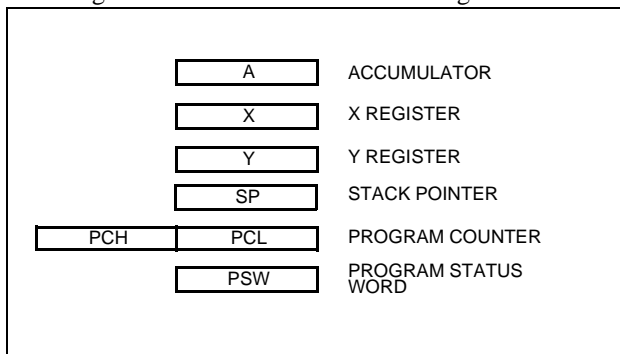


Figure 8-1 Configuration of Registers

Accumulator: The Accumulator is the 8-bit general purpose register, used for data operation such as transfer, temporary saving, and conditional judgement, etc.

The Accumulator can be used as a 16-bit register with Y Register as shown below.

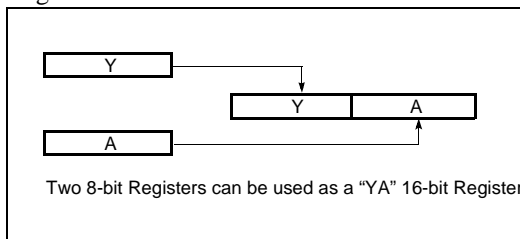


Figure 8-2 Configuration of YA 16-bit Register

X, Y Registers: In the addressing mode which uses these index registers, the register contents are added to the specified address, which becomes the actual address. These modes are extremely effective for referencing subroutine tables and memory tables. The index registers also have increment, decrement, comparison and data transfer functions, and they can be used as simple accumulators.

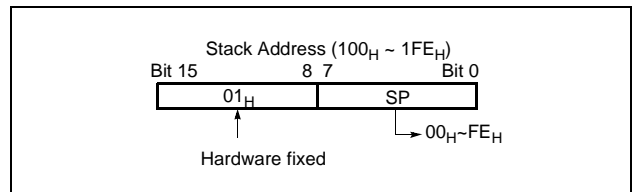
Stack Pointer: The Stack Pointer is an 8-bit register used for occurrence interrupts and calling out subroutines. Stack Pointer identifies the location in the stack to be accessed (save or restore).

Generally, SP is automatically updated when a subroutine

of Program memory. Data memory can be read and written to up to 448 bytes including the stack area.

call is executed or an interrupt is accepted. However, if it is used in excess of the stack area permitted by the data memory allocating configuration, the user-processed data may be lost.

The stack can be located at any position within 100_H to $1FF_H$ of the internal data memory. The SP is not initialized by hardware, requiring to write the initial value (the location with which the use of the stack starts) by using the initialization routine. Normally, the initial value of " FE_H " is used.



Note: The Stack Pointer must be initialized by software because its value is undefined after RESET.

Example: To initialize the SP

```
LDX    #0FEH
TXSP                      ; SP ← FEH
```

Address $01FF_H$ can not be used as stack. Don not use $1FF_H$, or malfunction would be occurred.

Program Counter: The Program Counter is a 16-bit wide which consists of two 8-bit registers, PCH and PCL. This counter indicates the address of the next instruction to be executed. In reset state, the program counter has reset routine address ($PC_H:0FF_H$, $PC_L:0FE_H$).

Program Status Word: The Program Status Word (PSW) contains several bits that reflect the current state of the CPU. The PSW is described in Figure 8-3. It contains the Negative flag, the Overflow flag, the Break flag the Half Carry (for BCD operation), the Interrupt enable flag, the Zero flag, and the Carry flag.

[Carry flag C]

This flag stores any carry or borrow from the ALU of CPU after an arithmetic operation and is also changed by the Shift Instruction or Rotate Instruction.

[Zero flag Z]

or data transfer is “0” and is cleared by any other result.

This flag is set when the result of an arithmetic operation

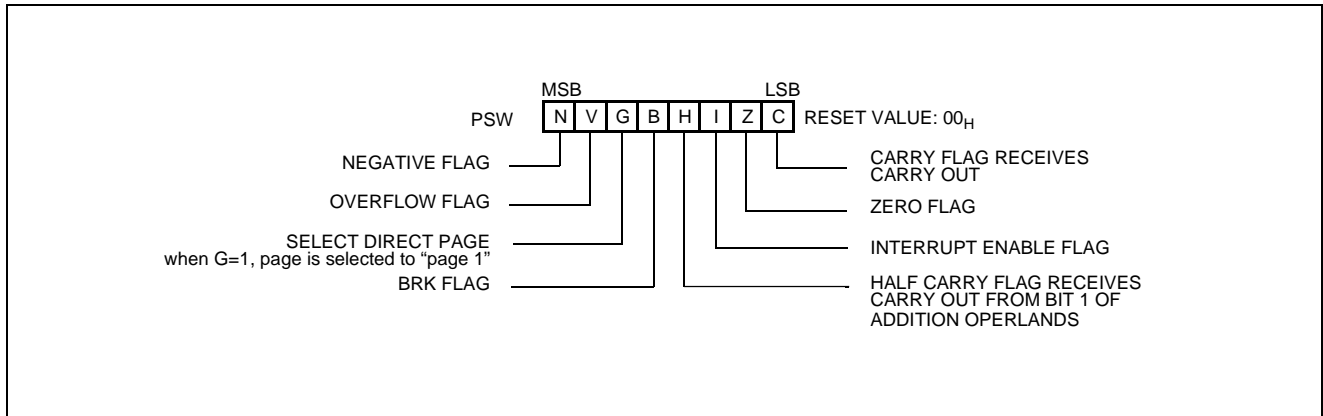


Figure 8-3 PSW (Program Status Word) Register

[Interrupt disable flag I]

This flag enables/disables all interrupts except interrupt caused by Reset or software BRK instruction. All interrupts are disabled when cleared to “0”. This flag immediately becomes “0” when an interrupt is served. It is set by the EI instruction and cleared by the DI instruction.

[Half carry flag H]

After operation, this is set when there is a carry from bit 3 of ALU or there is no borrow from bit 4 of ALU. This bit can not be set or cleared except CLRV instruction with Overflow flag (V).

[Break flag B]

This flag is set by software BRK instruction to distinguish BRK from TCALL instruction with the same vector address.

[Direct page flag G]

This flag assigns RAM page for direct addressing mode. In the direct addressing mode, addressing area is from zero page 00H to 0FFH when this flag is "0". If it is set to "1", addressing area is assigned 100H to 1FFH. It is set by SETG instruction and cleared by CLRG.

[Overflow flag V]

This flag is set to “1” when an overflow occurs as the result of an arithmetic operation involving signs. An overflow occurs when the result of an addition or subtraction exceeds +127(7FH) or -128(80H). The CLRV instruction clears the overflow flag. There is no set instruction. When the BIT instruction is executed, bit 6 of memory is copied to this flag.

[Negative flag N]

This flag is set to match the sign bit (bit 7) status of the result of a data or arithmetic operation. When the BIT instruction is executed, bit 7 of memory is copied to this flag.

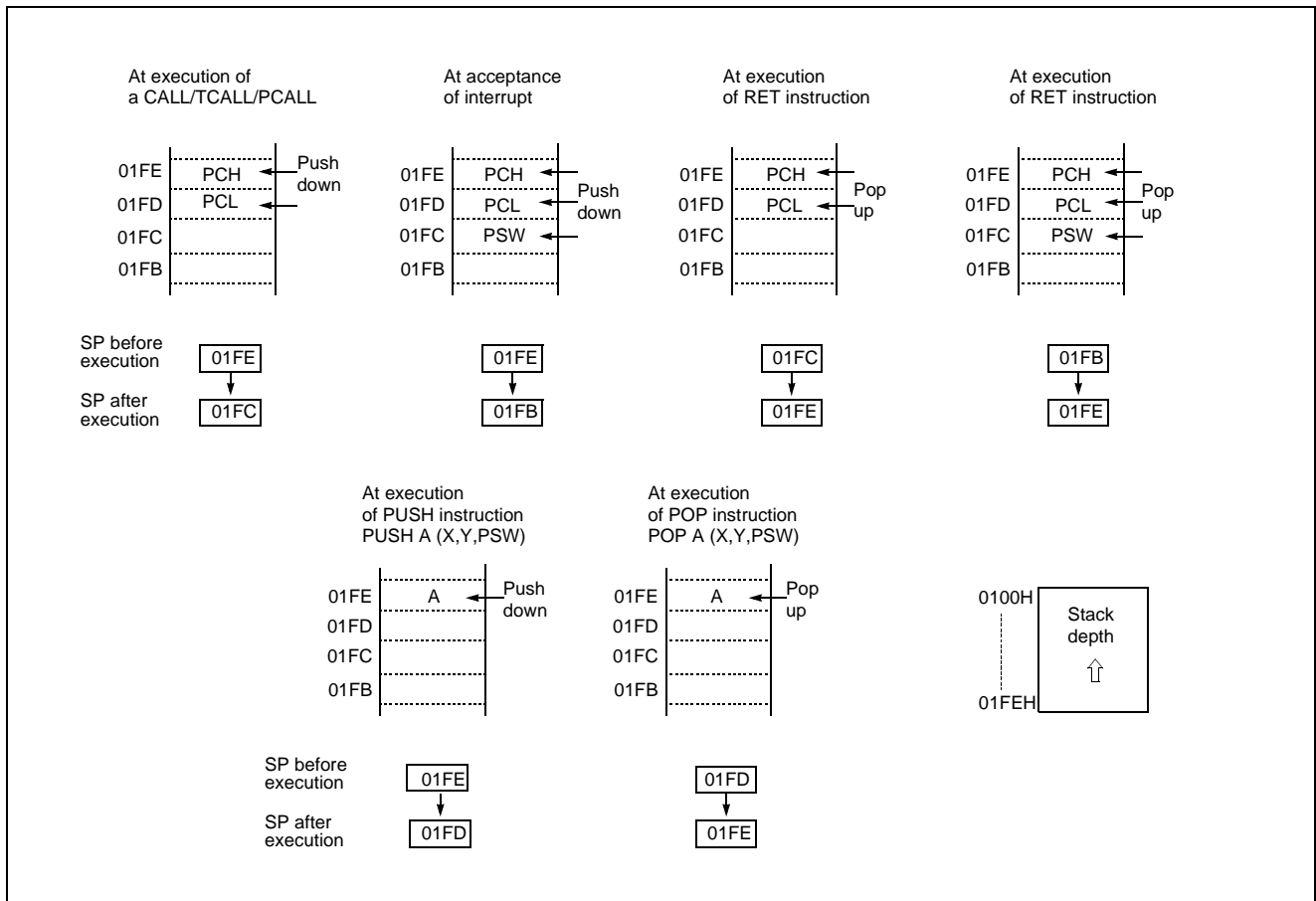


Figure 8-4 Stack Operation

8.2 Program Memory

A 16-bit program counter is capable of addressing up to 64K bytes, but this device has 24K bytes program memory space only physically implemented. Accessing a location above FFFF_H will cause a wrap-around to 0000_H.

Figure 8-5, shows a map of Program Memory. After reset, the CPU begins execution from reset vector which is stored in address FFFE_H and FFFF_H as shown in Figure 8-6.

As shown in Figure 8-5, each area is assigned a fixed location in Program Memory. Program Memory area contains the user program.

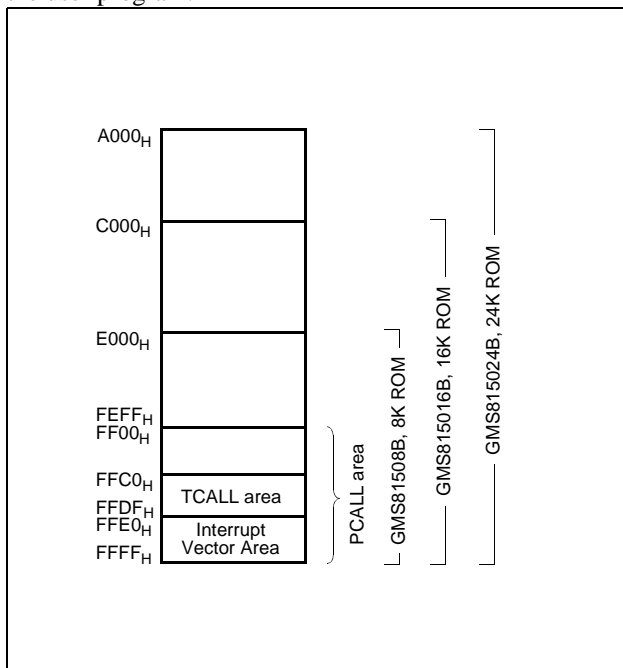


Figure 8-5 Program Memory Map

Page Call (PCALL) area contains subroutine program to reduce program byte length by using 2 bytes PCALL instead of 3 bytes CALL instruction. If it is frequently called,

it is more useful to save program byte length.

Table Call (TCALL) causes the CPU to jump to each TCALL address, where it commences the execution of the service routine. The Table Call service area spaces 2-byte for every TCALL: 0FFC0_H for TCALL15, 0FFC2_H for TCALL14, etc., as shown in Figure 8-7.

Example: Usage of TCALL

The interrupt causes the CPU to jump to specific location, where it commences the execution of the service routine. The External interrupt 0, for example, is assigned to location 0FFFA_H. The interrupt service locations spaces 2-byte interval: 0FFF8_H and 0FFF9_H for External Interrupt 1, 0FFFA_H and 0FFFB_H for External Interrupt 0, etc.

Any area from 0FF00_H to 0FFFF_H, if it is not going to be used, its service location is available as general purpose Program Memory.

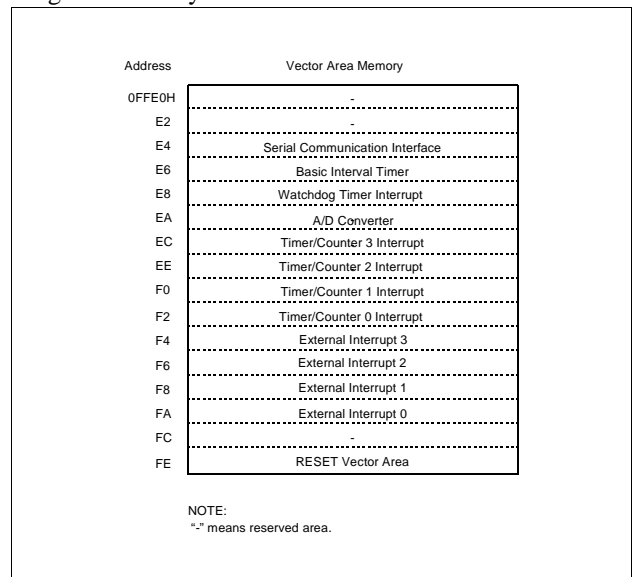


Figure 8-6 Interrupt Vector Area

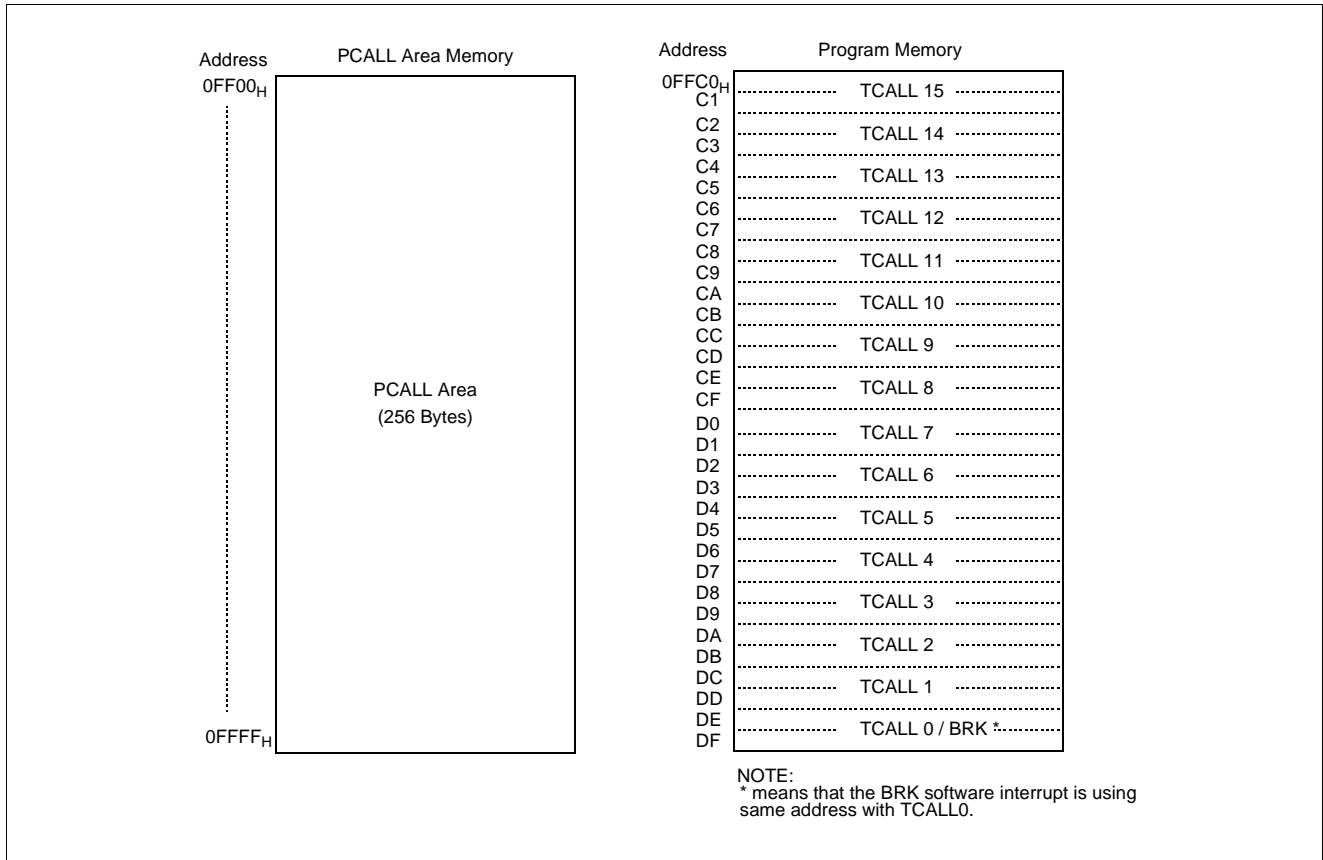


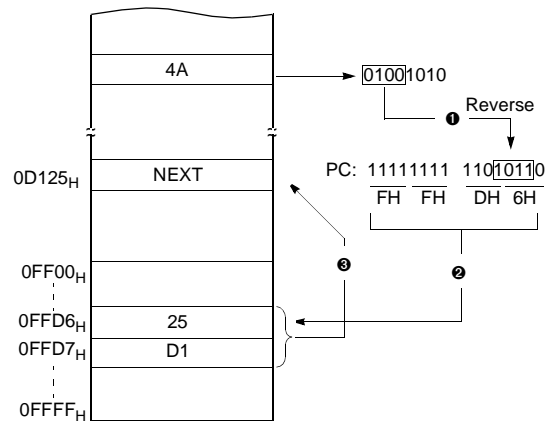
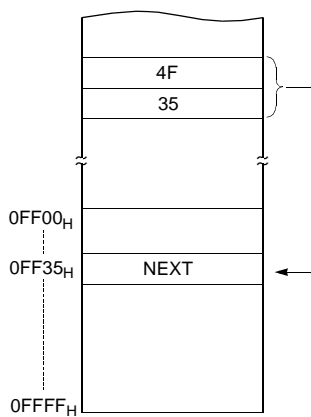
Figure 8-7 PCALL and TCALL Memory Area

PCALL → rel

4F35 PCALL 35H

TCALL → n

4A TCALL 4



Example: The usage software example of Vector address for GMS81524B.

```

        ORG    0FFE0H

        DW    NOT_USED
        DW    NOT_USED
        DW    SIO           ; Serial Interface
        DW    BIT_TIMER    ; Basic Interval Timer
        DW    WD_TIMER     ; Watchdog Timer
        DW    ADC           ; ADC
        DW    TIMER3       ; Timer-3
        DW    TIMER2       ; Timer-2
        DW    TIMER1       ; Timer-1
        DW    TIMER0       ; Timer-0
        DW    INT3         ; Int.3
        DW    INT2         ; Int.2
        DW    INT1         ; Int.1
        DW    INT0         ; Int.0
        DW    NOT_USED     ; -
        DW    RESET        ; Reset

        ORG    0A000H      ; 24K ROM Start address
;       ORG    0C000H      ; 16K ROM Start address
;       ORG    0E000H      ; 8K ROM Start address

;*****
;          MAIN          PROGRAM          *
;*****
;
RESET:   DI                ;Disable All Interrupts
        CLRG
        LDX    #0
RAM_CLR: LDA    #0          ;RAM Clear(!0000H->!00BFH)
        STA    {X}+
        CMPX   #0C0H
        BNE   RAM_CLR

;
        LDX    #0FEH      ;Stack Pointer Initialize
        TXSP

;
        LDM    R0, #0     ;Normal Port 0
        LDM    R0DD,#82H ;Normal Port Direction
        :
        :
        LDM    TDR0,#250 ;8us x 250 = 2000us
        LDM    TM0,#1FH  ;Start Timer0, 8us at 8MHz
        LDM    IRQH,#0
        LDM    IRQL,#0
        LDM    IENH,#0C8H ;Enable Timer0, INT0, INT1
        LDM    IENL,#0
        LDM    IEDS,#55H ;Select falling edge detect on INT pin
        LDM    PMR4,#3H  ;Set external interrupt pin(INT0, INT1)
        EI                ;Enable master interrupt
        :
        :
        :

        :
        :
NOT_USED:NOP
        RETI

```

8.3 Data Memory

Figure 8-8 shows the internal Data Memory space available. Data Memory is divided into four groups, a user RAM, control registers, Stack, and LCD memory.

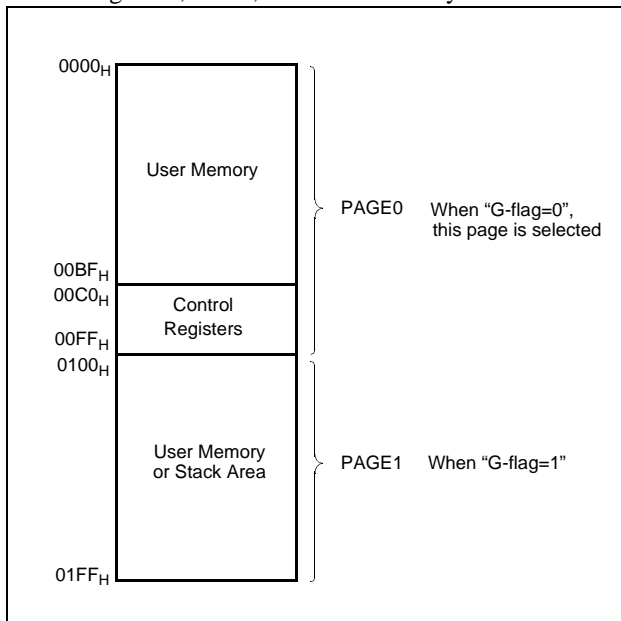


Figure 8-8 Data Memory Map

User Memory

The GMS815xxB has 448×8 bits for the user memory (RAM).

Control Registers

The control registers are used by the CPU and Peripheral function blocks for controlling the desired operation of the device. Therefore these registers contain control and status bits for the interrupt system, the timer/ counters, analog to digital converters and I/O ports. The control registers are in address range of $0C0_H$ to $0FF_H$.

Note that unoccupied addresses may not be implemented on the chip. Read accesses to these addresses will in general return random data, and write accesses will have an indeterminate effect.

More detailed informations of each register are explained in each peripheral section.

Note: Write only registers can not be accessed by bit manipulation instruction. Do not use read-modify-write instruction. Use byte manipulation instruction, for example "LDM".

Example; To write at CKCTRL

```
LDM    CLCTRL, #09H ;Divide ratio(+32)
```

Stack Area

The stack provides the area where the return address is saved before a jump is performed during the processing routine at the execution of a subroutine call instruction or the acceptance of an interrupt.

When returning from the processing routine, executing the subroutine return instruction [RET] restores the contents of the program counter from the stack; executing the interrupt return instruction [RETI] restores the contents of the program counter and flags.

The save/restore locations in the stack are determined by the stack pointed (SP). The SP is automatically decreased after the saving, and increased before the restoring. This means the value of the SP indicates the stack location number for the next save. Refer to Figure 8-4 on page 20.

Address	Register Name	Symbol	R/W	Initial Value								Page	
				7	6	5	4	3	2	1	0		
00C0	R0 port data register	R0	R/W	Undefined								page 31	
00C1	R0 port I/O direction register	R0DD	W	0	0	0	0	0	0	0	0	0	page 31
00C2	R1 port data register	R1	R/W	Undefined								page 31	
00C3	R1 port I/O direction register	R1DD	W	0	0	0	0	0	0	0	0	0	page 31
00C4	R2 port data register	R2	R/W	Undefined								page 31	
00C5	R2 port I/O direction register	R2DD	W	0	0	0	0	0	0	0	0	0	page 31
00C6	R3 port data register	R3	R/W	Undefined								page 32	
00C7	R3 port I/O direction register	R3DD	W	0	0	0	0	0	0	0	0	0	page 32
00C8	R4 port data register	R4	R/W	Undefined								page 32	
00C9	R4 port I/O direction register	R4DD	W	0	0	0	0	0	0	0	0	0	page 32
00CA	R5 port data register	R5	R/W	Undefined								page 33	
00CB	R5 port I/O direction register	R5DD	W	0	0	0	0	0	0	0	0	0	page 33
00CC	R6 port data register	R6	R/W	Undefined								page 33	
00CD	R6 port I/O direction register	R6DD	W	0	0	0	0	-	-	-	-	-	page 33
00D0	R4 port mode register	PMR4	W	0	0	0	0	0	0	0	0	0	page 32, page 63
00D1	R5 port mode register	PMR5	W	-	-	0	0	-	-	-	-	-	page 33, page 55
00D3	Basic interval timer mode register	BITR	R	Undefined								page 35	
	Clock control register	CKCTLR	W	-	-	0	1	0	1	1	1	1	page 35
00E0	Watchdog Timer Register	WDTR	W	-	0	1	1	1	1	1	1	1	page 64
00E2	Timer mode register 0	TM0	R/W	0	0	0	0	0	0	0	0	0	page 37
00E3	Timer mode register 2	TM2	R/W	0	0	0	0	0	0	0	0	0	page 37
00E4	Timer 0 data register	TDR0	W	Undefined								page 37	
	Timer 0 counter register	T0	R	Undefined								page 37	
00E5	Timer 1 data register	TDR1	W	Undefined								page 37	
	Timer 1 counter register	T1	R	Undefined								page 37	
00E6	Timer 2 data register	TDR2	W	Undefined								page 37	
	Timer 2 counter register	T2	R	Undefined								page 37	
00E7	Timer 3 data register	TDR3	W	Undefined								page 37	
	Timer 3 counter register	T3	R	Undefined								page 37	
00E8	A/D converter mode register	ADCM	R/W	-	-	0	0	0	0	0	0	1	page 47
00E9	A/D converter data register	ADR	R	Undefined								page 47	
00EA	Serial I/O mode register	SIOM	R/W	-	0	0	0	0	0	0	0	1	page 49
00EB	Serial I/O register	SIOR	R/W	Undefined								page 49	
00EC	Buzzer driver register	BUR	W	Undefined								page 55	
00F0	PWM0 duty register	PWMR0	W	Undefined								page 53	

Table 8-1 Control Registers

Address	Register Name	Symbol	R/W	Initial Value								Page		
				7	6	5	4	3	2	1	0			
00F1	PWM1 duty register	PWMR1	W	Undefined								page 53		
00F2	PWM control register	PWMCR	W	0	0	0	0	0	0	0	0	0	0	page 53
00F4	Interrupt enable register low	IENL	R/W	0	0	0	0	-	-	-	-	-	page 58	
00F5	Interrupt request flag register low	IRQL	R/W	0	0	0	0	-	-	-	-	-	page 57	
00F6	Interrupt enable register high	IENH	R/W	0	0	0	0	0	0	0	0	0	page 58	
00F7	Interrupt request flag register high	IRQH	R/W	0	0	0	0	0	0	0	0	0	page 57	
00F8	External interrupt edge selection register	IEDS	W	0	0	0	0	0	0	0	0	0	page 63	
00F9	Power fail detection register	PFDR	R/W	-	-	-	-	1	1	0	0	0	page 71	

Table 8-1 Control Registers

W

Registers are controlled by byte manipulation instruction such as LDM etc., do not use bit manipulation instruction such as SET1, CLR1 etc. If bit manipulation instruction is used on these registers, content of other seven bits are may varied to unwanted value.

R/W

Registers are controlled by both bit and byte manipulation instruction.

- : this bit location is reserved.

8.4 Addressing Mode

The GMS800 series MCU uses six addressing modes;

- Register addressing
- Immediate addressing
- Direct page addressing
- Absolute addressing
- Indexed addressing
- Register-indirect addressing

(1) Register Addressing

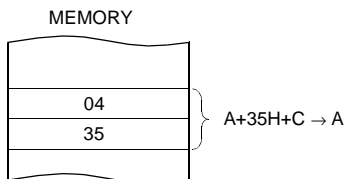
Register addressing accesses the A, X, Y, C and PSW.

(2) Immediate Addressing → #imm

In this mode, second byte (operand) is accessed as a data immediately.

Example:

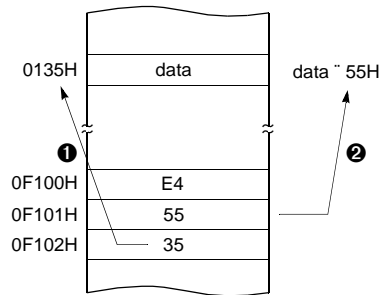
```
0435   ADC   #35H
```



When G-flag is 1, then RAM address is defined by 16-bit address which is composed of 8-bit RAM paging register (RPR) and 8-bit immediate data.

Example: G=1

```
E45535  LDM  35H, #55H
```

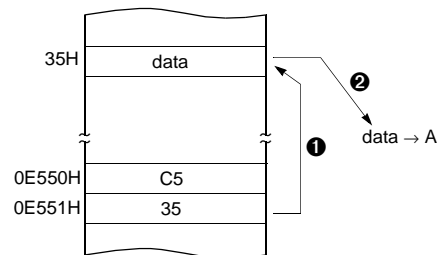


(3) Direct Page Addressing → dp

In this mode, a address is specified within direct page.

Example; G=0

```
C535   LDA   35H           ;A ←RAM[35H]
```



(4) Absolute Addressing → !abs

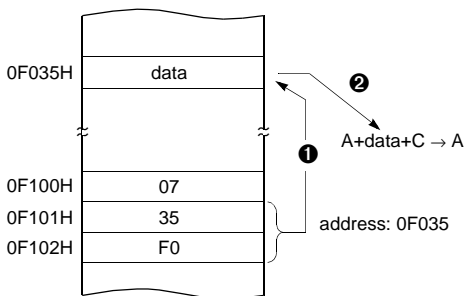
Absolute addressing sets corresponding memory data to Data, i.e. second byte (Operand I) of command becomes lower level address and third byte (Operand II) becomes upper level address.

With 3 bytes command, it is possible to access to whole memory area.

ADC, AND, CMP, CMPX, CMPY, EOR, LDA, LDX, LDY, OR, SBC, STA, STX, STY

Example;

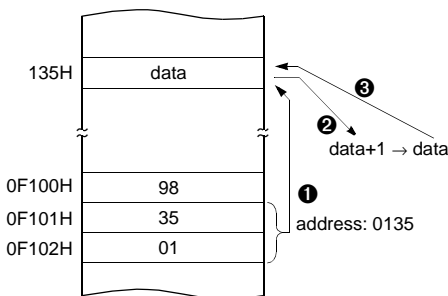
```
0735F0 ADC !0F035H ;A ←ROM[0F035H]
```



The operation within data memory (RAM)
ASL, BIT, DEC, INC, LSR, ROL, ROR

Example; Addressing accesses the address 0135_H regardless of G-flag.

```
983501 INC !0135H ;A ←ROM[135H]
```



(5) Indexed Addressing

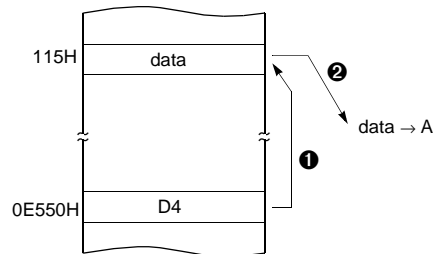
X indexed direct page (no offset) → {X}

In this mode, a address is specified by the X register.

ADC, AND, CMP, EOR, LDA, OR, SBC, STA, XMA

Example; X=15_H, G=1

```
D4 LDA {X} ;ACC←RAM[X].
```



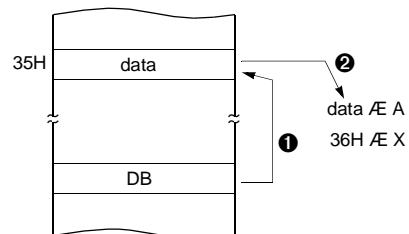
X indexed direct page, auto increment → {X}+

In this mode, a address is specified within direct page by the X register and the content of X is increased by 1.

LDA, STA

Example; G=0, X=35_H

```
DB LDA {X}+
```



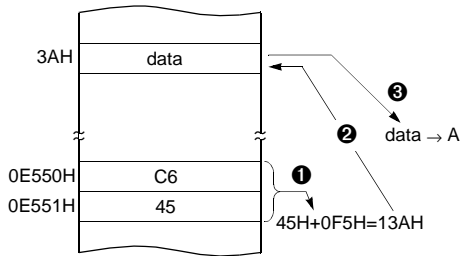
X indexed direct page (8 bit offset) → dp+X

This address value is the second byte (Operand) of command plus the data of X-register. And it assigns the memory in Direct page.

ADC, AND, CMP, EOR, LDA, LDY, OR, SBC, STA STY, XMA, ASL, DEC, INC, LSR, ROL, ROR

Example; G=0, X=0F5_H

C645 LDA 45H+X



Y indexed direct page (8 bit offset) → dp+Y

This address value is the second byte (Operand) of command plus the data of Y-register, which assigns Memory in Direct page.

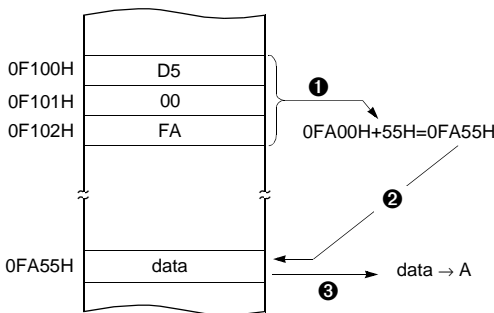
This is same with above (2). Use Y register instead of X.

Y indexed absolute → !abs+Y

Sets the value of 16-bit absolute address plus Y-register data as Memory. This addressing mode can specify memory in whole area.

Example; Y=55H

D500FA LDA !0FA00H+Y



(6) Indirect Addressing

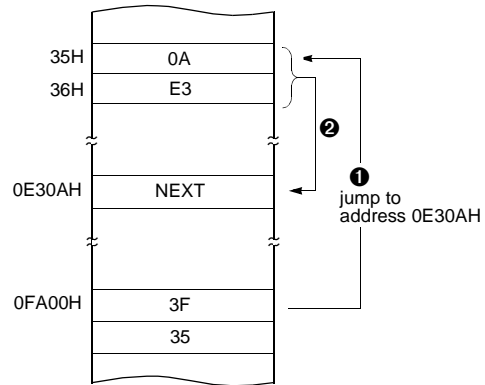
Direct page indirect → [dp]

Assigns data address to use for accomplishing command which sets memory data (or pair memory) by Operand. Also index can be used with Index register X, Y.

JMP, CALL

Example; G=0

3F35 JMP [35H]



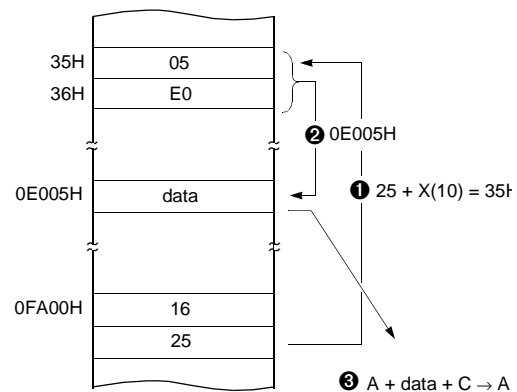
X indexed indirect → [dp+X]

Processes memory data as Data, assigned by 16-bit pair memory which is determined by pair data [dp+X+1][dp+X] Operand plus X-register data in Direct page.

ADC, AND, CMP, EOR, LDA, OR, SBC, STA

Example; G=0, X=10H

1625 ADC [25H+X]



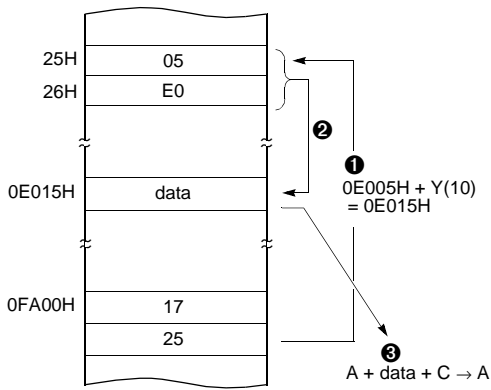
Y indexed indirect → [dp]+Y

Processes memory data as Data, assigned by the data [dp+1][dp] of 16-bit pair memory paired by Operand in Direct page plus Y-register data.

ADC, AND, CMP, EOR, LDA, OR, SBC, STA

Example; G=0, Y=10H

1725 ADC [25H]+Y



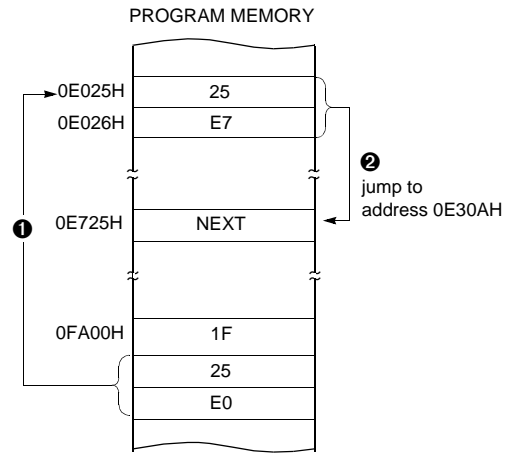
Absolute indirect → [!abs]

The program jumps to address specified by 16-bit absolute address.

JMP

Example; G=0

1F25E0 JMP [!0C025H]



9. I/O PORTS

The GMS815xxB has seven ports (R0, R1, R2, R4, R5, and R6). These ports pins may be multiplexed with an alternate function for the peripheral features on the device.

All pins have data direction registers which can define these ports as output or input. A "1" in the port direction register configure the corresponding port pin as output. Conversely, write "0" to the corresponding bit to specify it as input pin. For example, to use the even numbered bit of R0 as output ports and the odd numbered bits as input ports, write "55_H" to address 0C1_H (R0 port direction register) during initial setting as shown in Figure 9-1.

All the port direction registers in the GMS815xxB have 0 written to them by reset function. On the other hand, its initial status is input.

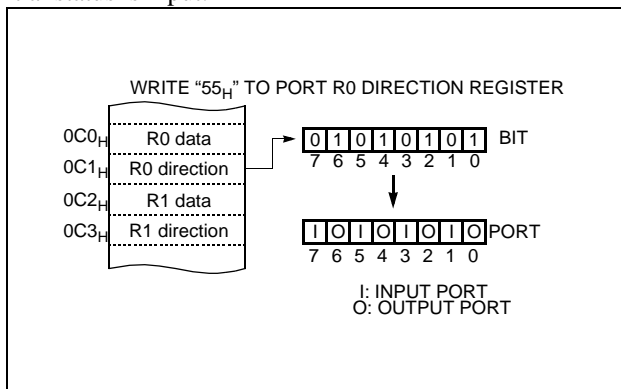
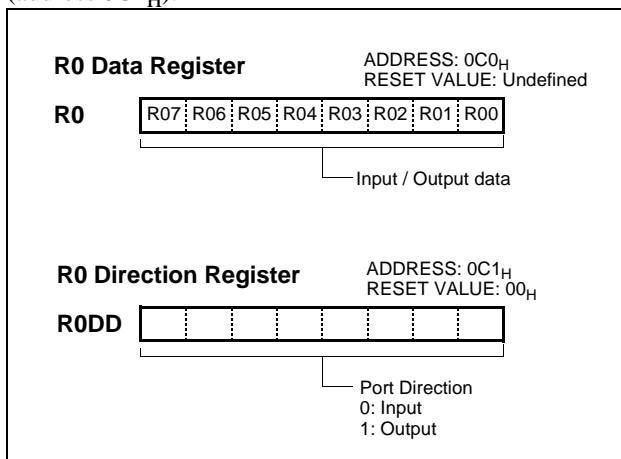
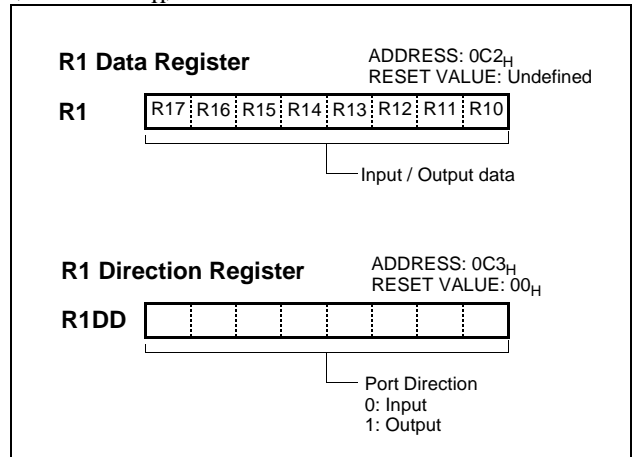


Figure 9-1 Example of port I/O assignment

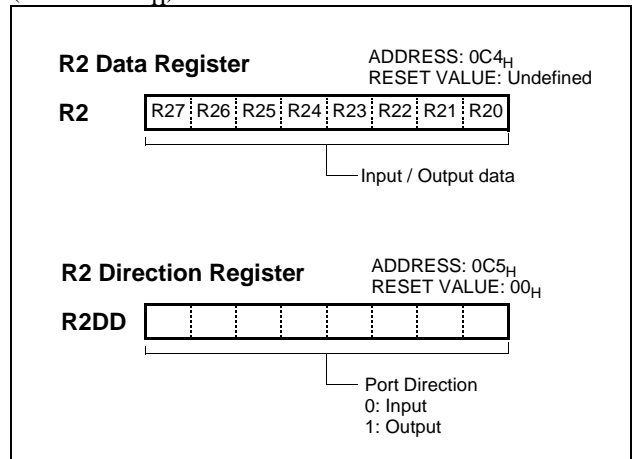
R0 and R0DD register: R0 is an 8-bit CMOS bidirectional I/O port (address 0C0_H). Each I/O pin can independently used as an input or an output through the R0DD register (address 0C1_H).



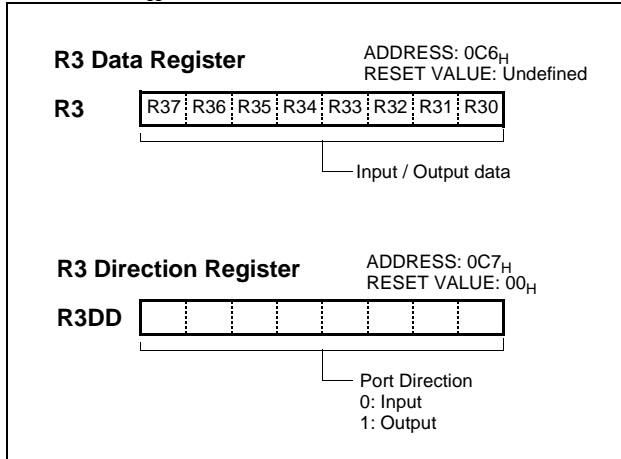
R1 and R1DD register: R1 is an 8-bit CMOS bidirectional I/O port (address 0C2_H). Each I/O pin can independently used as an input or an output through the R1DD register (address 0C3_H).



R2 and R2DD register: R2 is an 8-bit CMOS bidirectional I/O port (address 0C4_H). Each I/O pin can independently used as an input or an output through the R2DD register (address 0C5_H).



R3 and R3DD register: R3 is an 8-bit CMOS bidirectional I/O port (address 0C6_H). Each I/O pin can independently be used as an input or an output through the R3DD register (address 0C7_H).

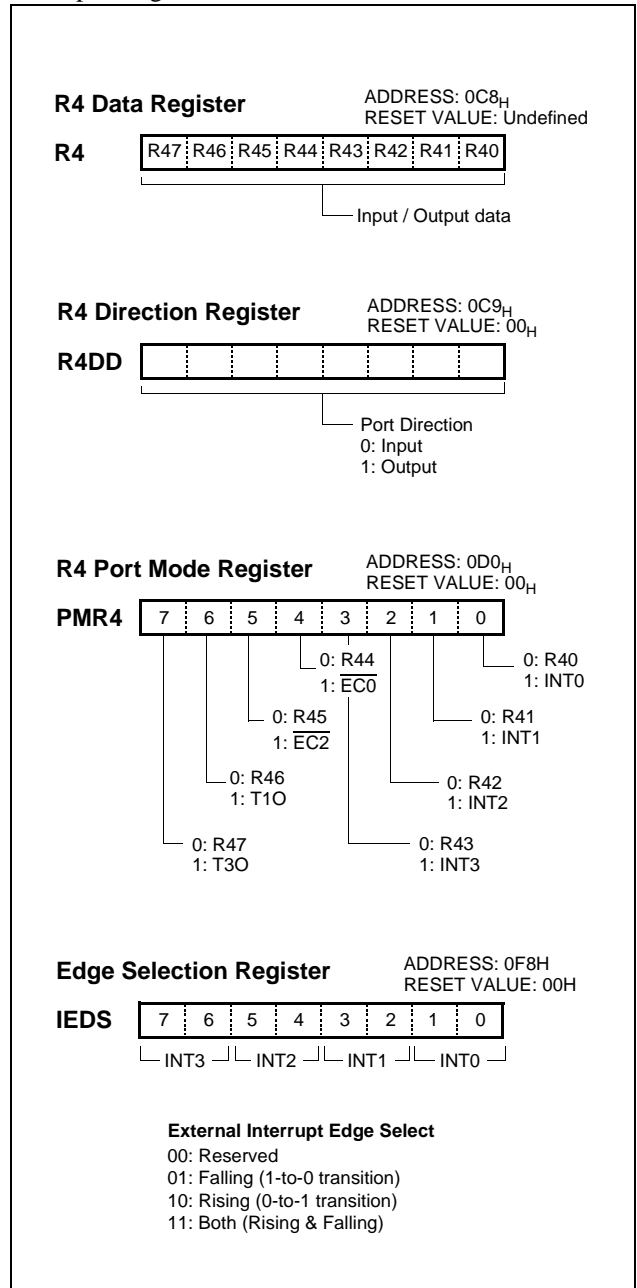


R4 and R4DD register: R4 is an 8-bit CMOS bidirectional I/O port (address 0C8_H). Each I/O pin can independently be used as an input or an output through the R4DD register (address 0C9_H).

In addition, Port R4 is multiplexed with various special features. The control register PMR4 (address 0D0_H) controls the selection of alternate function. After reset, this value is “0”, port may be used as normal I/O port. To use alternate function such as external interrupt, external counter input or timer clock out, write “1” in the corresponding bit of PMR4.

Port Pin	Alternate Function
R40	INT0 (External Interrupt 0)
R41	INT1 (External Interrupt 1)
R42	INT2 (External Interrupt 2)
R43	INT3 (External Interrupt 3)
R44	$\overline{EC0}$ (External count input to Timer/Counter 0)
R45	EC2 (External count input to Timer/Counter 2)
R46	T1O (Timer 1 Clock-out)
R47	T3O (Timer 3 Clock-out)

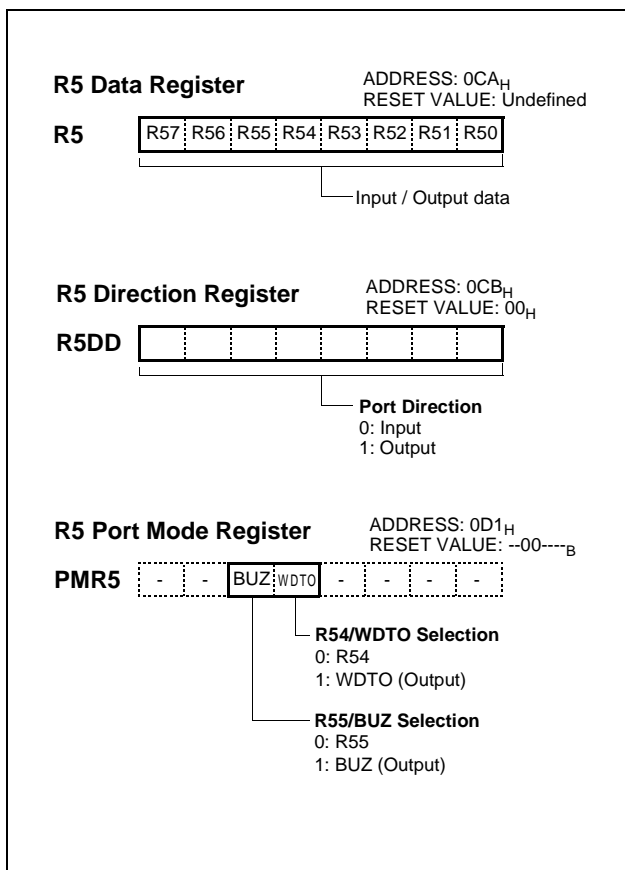
Regardless of the direction register R4DD, PMR4 is selected to use as alternate functions, port pin can be used as a corresponding alternate features.



R5 and R5DD register: R5 is an 8-bit CMOS bidirectional I/O port (address 0CA_H). Each I/O pin can independently be used as an input or an output through the R5DD register (address 0CB_H).

Port Pin	Alternate Function
R54	WDTO (Watchdog timer output)
R55	BUZ (Square-wave output for buzzer)

The control register PMR5 (address D1_H) controls the selection alternate function. After reset, this value is “0”, port may be used as general I/O ports. To use buzzer function, write “1” to the PMR5 and the pin R55 must be defined as output mode (the bit 5 of R5DD=1)

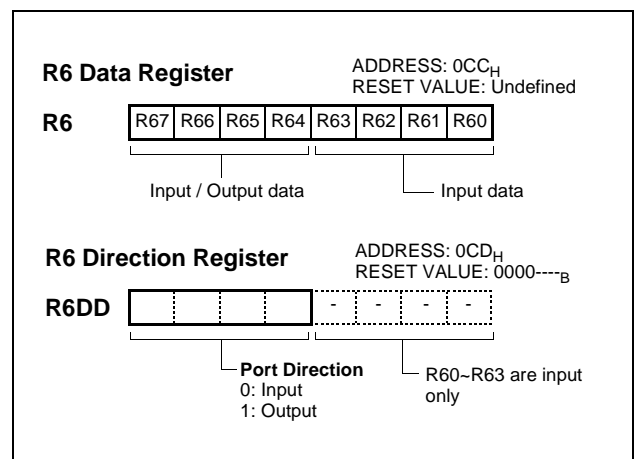


R6 and R6DD register: R6 is an 8-bit CMOS bidirectional I/O port (address 0CC_H). Each I/O pin can independently be used as an input or an output through the R6DD register (address 0CD_H).

Port Pin	Alternate Function
R60	AN0 (ADC input 0)
R61	AN1 (ADC input 1)
R62	AN2 (ADC input 2)
R63	AN3 (ADC input 3)
R64	AN4 (ADC input 4)
R65	AN5 (ADC input 5)
R66	AN6 (ADC input 6)
R67	AN7 (ADC input 7)

R6DD (address CD_H) controls the direction of the R6 pins, even when they are being used as analog inputs. The user must make sure to keep the pins configured as inputs when using them as analog inputs.

Note: On the initial RESET, R60 can not be used digital input port, because this port is selected as an analog input port by ADCM register. To use this port as a digital I/O port, change the value of lower 4 bits of ADCM (address 0E8_H). On the other hand, R6 port, all eight pins can not be used as digital I/O port simultaneously. At least one pin is used as an analog input.



10. BASIC INTERVAL TIMER

The GMS815xxB has one 8-bit Basic Interval Timer that is free-run and can not stop. Block diagram is shown in Figure 10-1.

In addition, the Basic Interval Timer generates the time base for watchdog timer counting. It also provides a Basic interval timer interrupt (BITIF). As the count overflow from FF_H to 00_H, this overflow causes the interrupt to be

generated. The Basic Interval Timer is controlled by the clock control register (CKCTRL) shown in Figure 10-2.

Source clock can be selected by lower 3 bits of CKCTRL.

BITR and CKCTRL are located at same address, and address 0F9_H is read as a BITR, and written to CKCTRL.

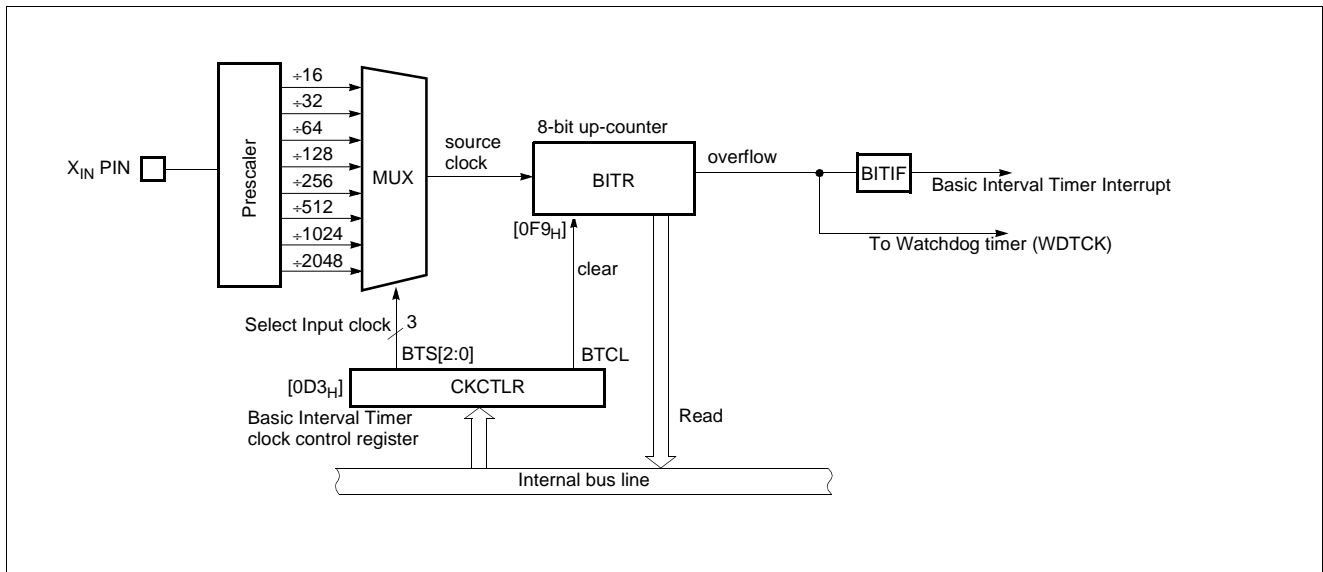


Figure 10-1 Block Diagram of Basic Interval Timer

CKCTRL [2:0]	Source clock	Interrupt (overflow) Period (ms) @ f _{XIN} = 8MHz
000	f _{XIN} ÷ 16	0.512
001	f _{XIN} ÷ 32	1.024
010	f _{XIN} ÷ 64	2.048
011	f _{XIN} ÷ 128	4.096
100	f _{XIN} ÷ 256	8.192
101	f _{XIN} ÷ 512	16.384
110	f _{XIN} ÷ 1024	32.768
111	f _{XIN} ÷ 2048	65.536

Table 10-1 Basic Interval Timer Interrupt Time

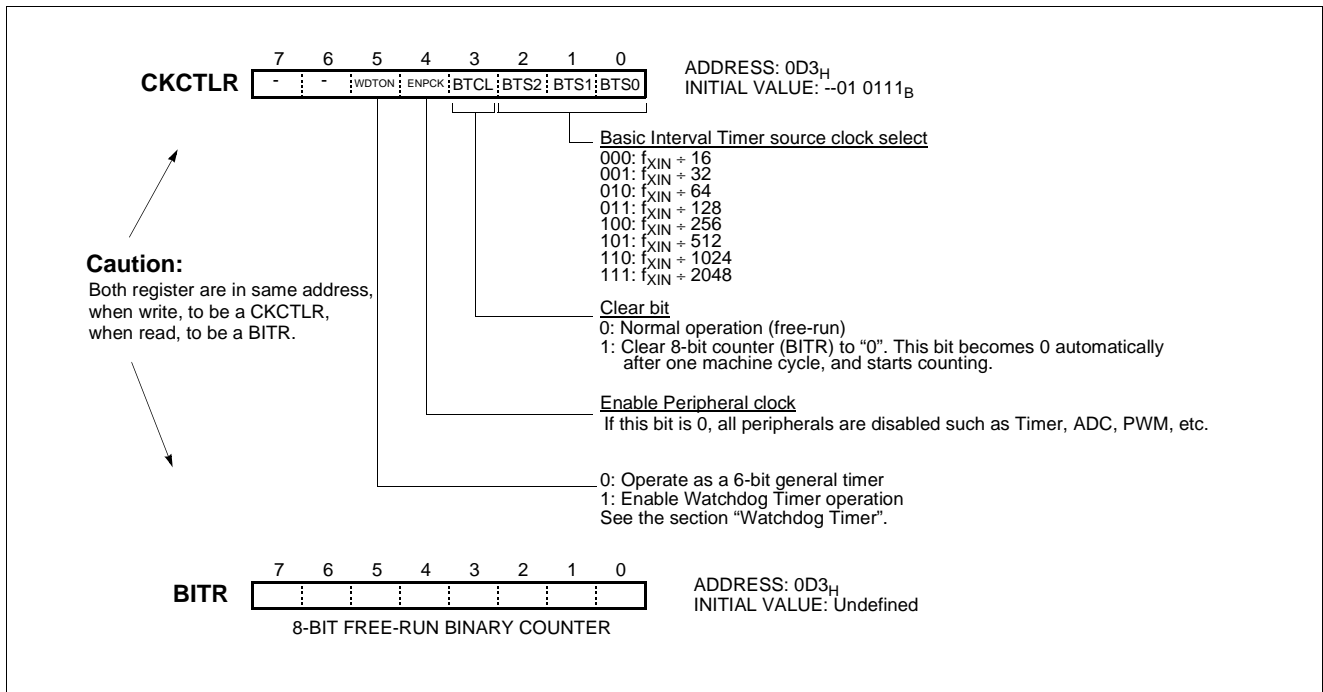


Figure 10-2 BITR: Basic Interval Timer Mode Register

Example 1:

Interrupt request flag is generated every 8.192ms at 4MHz.

```

:
LDM    CKCTLR, #1BH
SET1   BITE
EI
:
    
```

Example 2:

Interrupt request flag is generated every 8.192ms at 8MHz.

```

:
LDM    CKCTLR, #1CH
SET1   BITE
EI
:
    
```

11. TIMER/EVENT COUNTER

The GMS815xxB has four Timer/Counter registers. Each module can generate an interrupt to indicate that an event has occurred (i.e. timer match).

Timer 0 and Timer 1 are can be used either two 8-bit Timer/Counter or one 16-bit Timer/Counter with combine them. Also Timer 2 and Timer 3 are same.

In the “timer” function, the register is increased every internal clock input. Thus, one can think of it as counting internal clock input. Since a least clock consists of 4 and most clock consists of 64 oscillator periods, the count rate is 1/4 to 1/64 of the oscillator frequency.

In the “counter” function, the register is incremented in response to a 1-to-0 (falling edge) transition at its corre-

sponding external input pin, $\overline{EC0}$ or $\overline{EC2}$.

In addition the “capture” function, the register is incremented in response external or internal clock sources same with timer or counter function. When external clock edge input, the count register is captured into Timer data register correspondingly.

It has four operating modes: “8-bit timer/counter”, “16-bit timer/counter”, “8-bit capture”, “16-bit capture” which are selected by bit in Timer mode register TM0 and TM2 as shown in Table 11-1.

In operation of Timer 2, Timer 3, their operations are same with Timer 0, Timer 1, respectively as shown in Table 11-2.

TM0						TIMER 0	TIMER 1
CAP 0	T1ST	T1SL [1:0]	T0ST	T0CN	T0SL[1:0]		
0	X	01 or 10 or 11	X	X	01 or 10 or 11	8-bit Timer	8-bit Timer
0	X		X	X	00	8-bit Event counter	8-bit Timer
1	X		X	X	01 or 10 or 11	8-bit Capture (internal clock)	8-bit Timer
1	X		X	X	00	8-bit Capture (external clock)	8-bit Timer
0	X	00	X	X	01 or 10 or 11	16-bit Timer	
0	X		X	X	00	16-bit Event counter	
1	X		X	X	01 or 10 or 11	16-bit Capture (internal clock)	
1	X		X	X	00	16-bit Capture (external clock)	

Table 11-1 TM0 Timer Mode Register

TM2						TIMER 2	TIMER 3
CAP 2	T3ST	T3SL [1:0]	T2ST	T2CN	T2SL[1:0]		
0	X	01 or 10 or 11	X	X	01 or 10 or 11	8-bit Timer	8-bit Timer
0	X		X	X	00	8-bit Event counter	8-bit Timer
1	X		X	X	01 or 10 or 11	8-bit Capture (internal clock)	8-bit Timer
1	X		X	X	00	8-bit Capture (external clock)	8-bit Timer
0	X	00	X	X	01 or 10 or 11	16-bit Timer	
0	X		X	X	00	16-bit Event counter	
1	X		X	X	01 or 10 or 11	16-bit Capture (internal clock)	
1	X		X	X	00	16-bit Capture (external clock)	

Table 11-2 TM2 Timer Mode Register

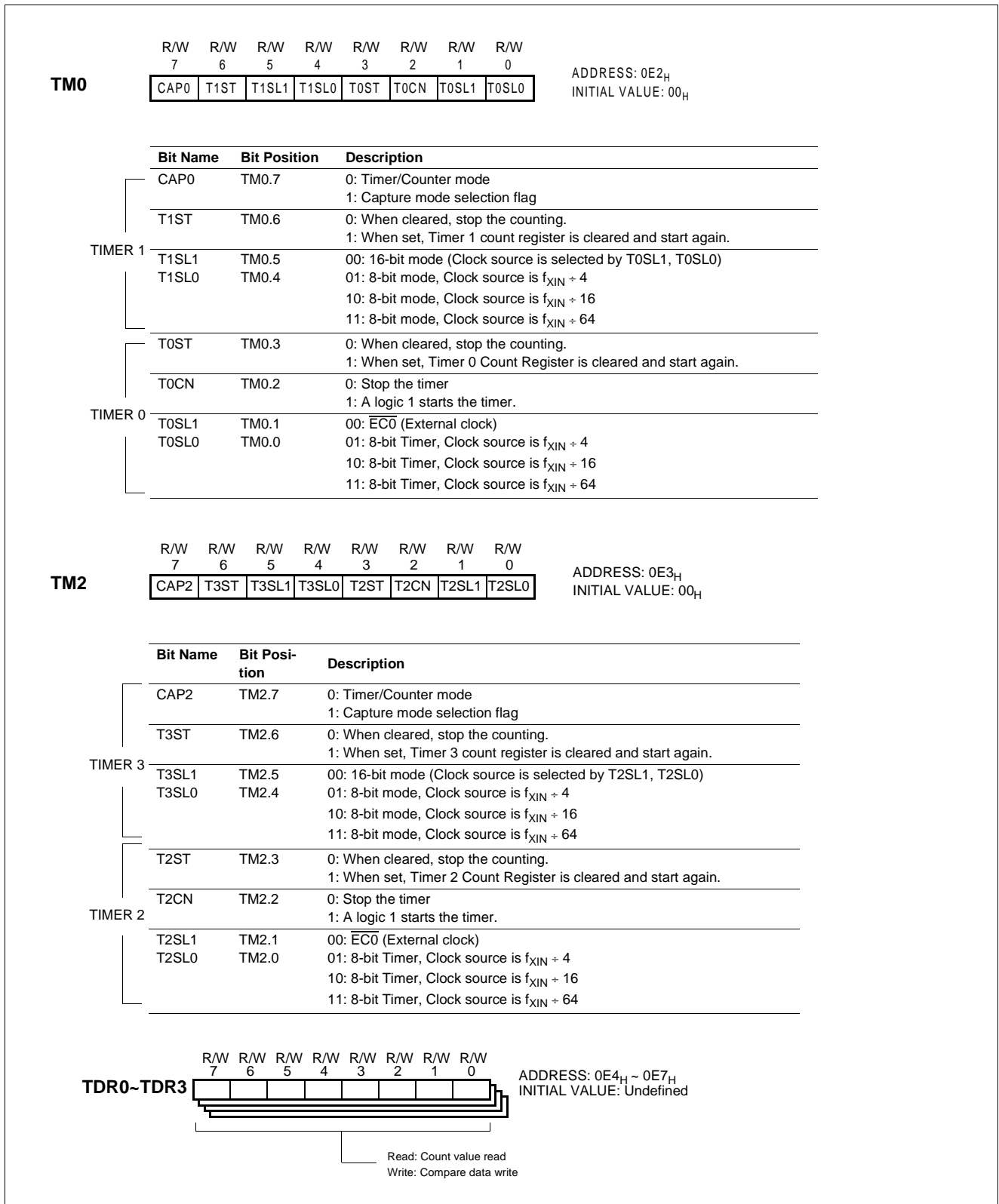


Figure 11-1 TM0, TM2 Registers

11.1 8-bit Timer / Counter Mode

The GMS815xxB has four 8-bit Timer/Counters, Timer 0, Timer 1, Timer 2, Timer 3. The Timer 0, Timer 1 are shown in Figure .

The “timer” or “counter” function is selected by control registers TM0, TM2 as shown in Table 11-1 and Table 11-2. To use as an 8-bit timer/counter mode, bit CAP0 of TM0 is cleared to “0” and bits T1SL1, T1SL0 of TM0 or bits

T3SL1, T3SL0 of TM2 should not set to zero. These timers have each 8-bit count register and data register. The count register is increased by every internal or external clock input. The internal clock has a prescaler divide ratio option of 4, 16, 64 (selected by control bits TxSL1, TxSL0 of register TMx).

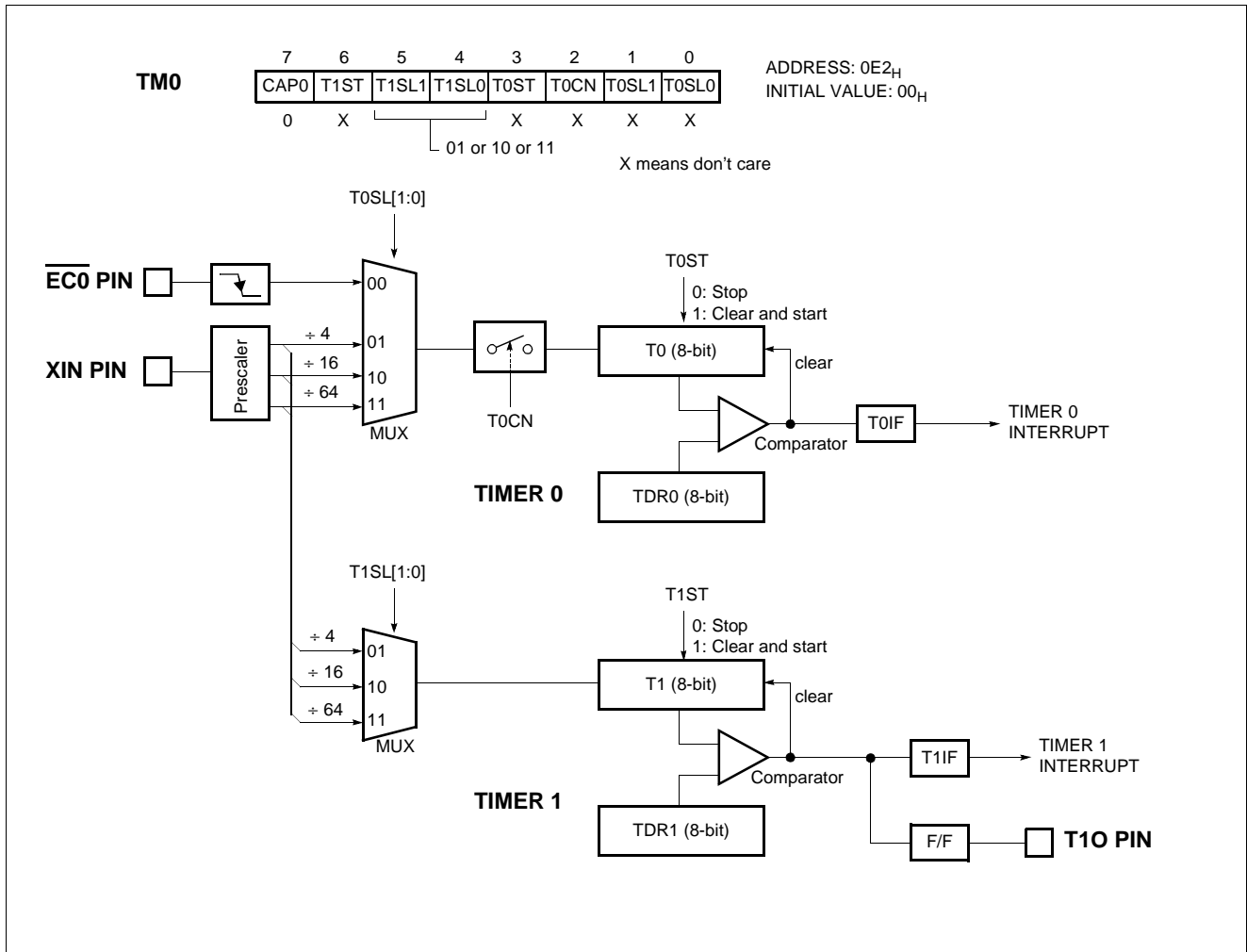


Figure 11-2 8-bit Timer/Counter 0, 1

Example 1:

Timer0 = 4ms 8-bit timer mode at 4MHz
 Timer1 = 1ms 8-bit timer mode at 4MHz

```
LDM    TDR0, #250
LDM    TDR1, #250
LDM    TM0, #0110_1111B
SET1   T0E
SET1   T1E
EI
```

Example 2:

Timer0 = 8-bit event counter mode
 Timer1 = 1ms 8-bit timer mode at 4MHz

```
LDM    TDR0, #250
LDM    TDR1, #250
LDM    TM0, #0110_1100B
SET1   T0E
SET1   T1E
EI
```

Note: The contents of Timer data register TDRx should be initialized 1_H~FF_H, not 0_H, because it is undefined after reset.

In the Timer 0, timer register T0 increments from 00_H until it matches TDR0 and then reset to 00_H. The match output of Timer 0 generates Timer 0 interrupt (latched in T0IF bit)

As TDRx and Tx register are in same address, when read-

ing it as a Tx, written to TDRx.

In counter function, the counter is increased every 1-to-0 (falling edge) transition of $\overline{EC0}$ or $\overline{EC2}$ pin. In order to use counter function, the bit 4, bit 5 of the Port mode register PMR4 are set to "1". The Timer 0 can be used as a counter by pin $\overline{EC0}$ input, but Timer 1 can input by internal clock. Similarly, Timer 2 can be used by pin $\overline{EC2}$ input but Timer 3 can not.

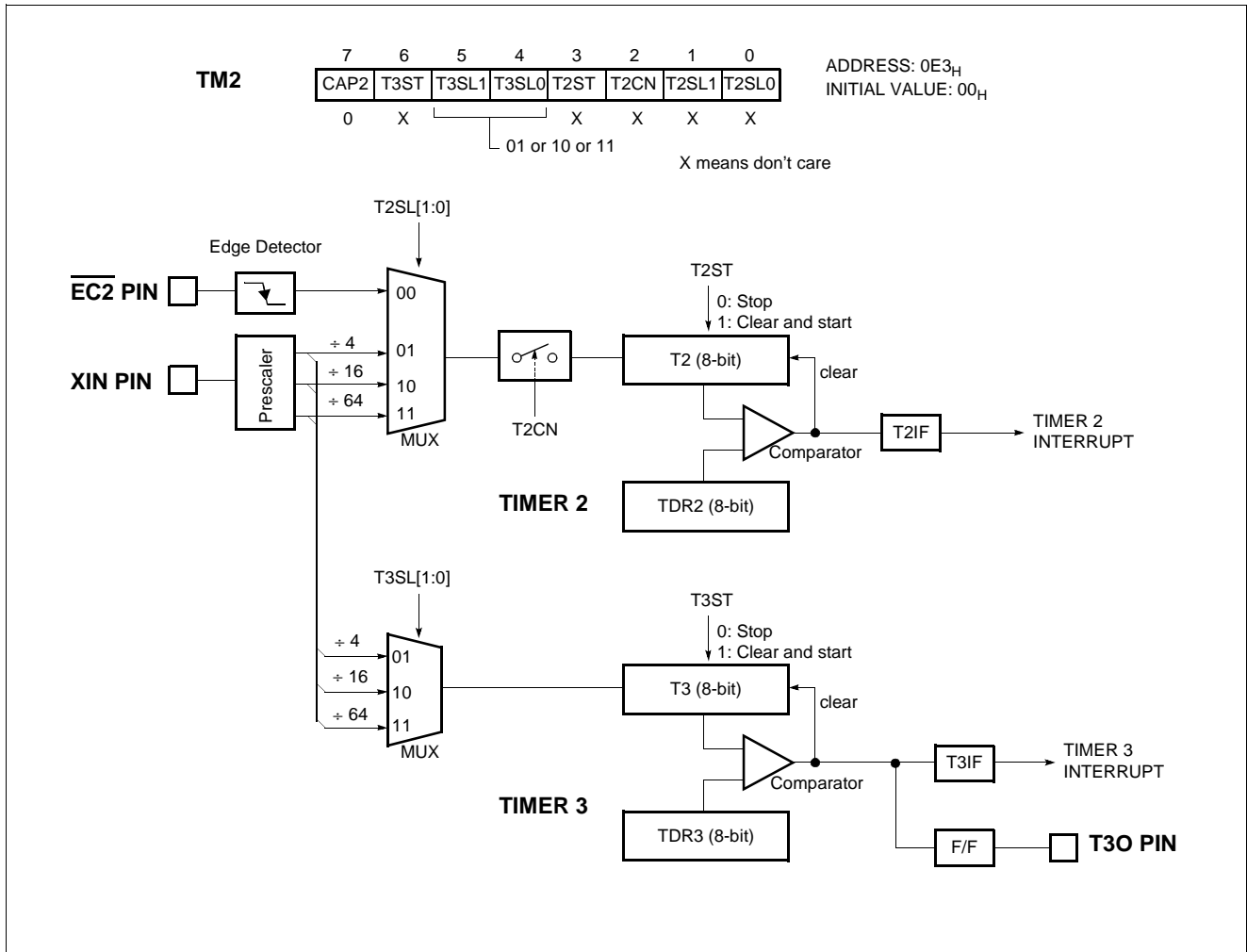


Figure 11-3 8-bit Timer/Counter 2, 3

Example 3:

Timer2 = 8-bit timer mode, 2ms interval at 8MHz
 Timer3 = 8-bit timer mode, 500us interval at 8MHz

```
LDM TDR2, #250
LDM TDR3, #250
LDM TM2, #0110_1111B
SET1 T2E
SET1 T3E
EI
```

Example 4:

Timer2 = 8-bit event counter mode
 Timer3 = 500us 8-bit timer mode at 8MHz

```
LDM TDR2, #250
LDM TDR3, #250
LDM TM2, #0110_1100B
SET1 T2E
SET1 T3E
EI
```

8-bit Timer Mode

In the timer mode, the internal clock is used for counting up. Thus, you can think of it as counting internal clock input. The contents of TDRn are compared with the contents of up-counter, Tn. If match is found, a timer 1 interrupt (T1IF) is generated and the up-counter is cleared to 0. Counting up is resumed after the up-counter is cleared.

As the value of TDRn is changeable by software, time interval is set as you want.

Value of TM[1:0]	Clock Source	Resolution (At fXIN=8 MHz)	Maximum Time Setting (At fXIN=8 MHz)
00	fEC1	1/fEC1 sec	1/fEC1 × 256 sec
01	fXIN ÷ 4	0.5 us	128 us
10	fXIN ÷ 16	2 us	512 us
11	fXIN ÷ 64	8 us	2048 us

Table 11-1 Timer Source clock Interrupt Time

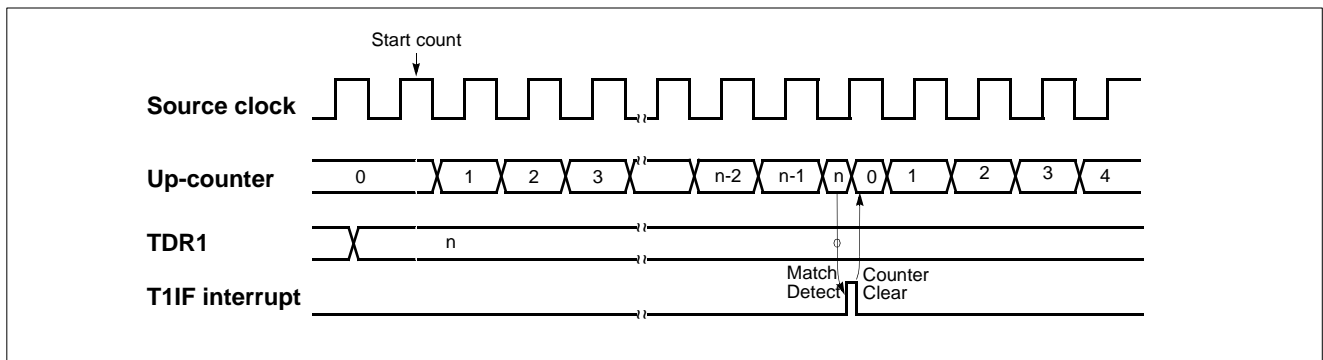


Figure 11-4 Timer Mode Timing Chart

Example: Make 1ms interrupt using by Timer0 at 8MHz

```

LDM    TM0,#1FH    ; divide by 64
LDM    TDR0,#125   ; 8us x 125= 1ms
SET1   T0E         ; Enable Timer 0 Interrupt
EI     ; Enable Master Interrupt
    
```

When $\left[\begin{array}{l} TM0 = 0001\ 1111_B \text{ (8-bit Timer mode, Prescaler divide ratio} = 64) \\ TDR0 = 125_D = 7D_H \\ f_{XIN} = 8 \text{ MHz} \end{array} \right.$

$$\text{INTERRUPT PERIOD} = \frac{1}{8 \times 10^6 \text{ Hz}} \times 64 \times 125 = 1 \text{ ms}$$

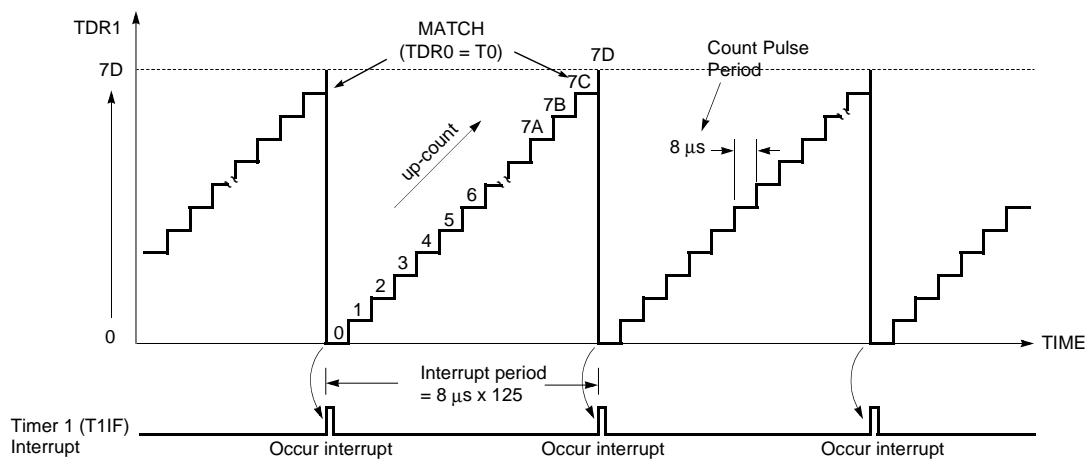


Figure 11-5 Timer Count Example

8-bit Event Counter Mode

In this mode, counting up is started by an external trigger. This trigger means falling edge of the $\overline{EC0}$ or $\overline{EC1}$ pin input. Source clock is used as an internal clock selected with timer mode register TM0 or TM2. The contents of timer data register $TDRn$ ($n = 0,1,2,3$) are compared with the contents of the up-counter Tn . If a match is found, a timer interrupt request flag $TnIF$ is generated, and the counter is cleared to "0". The counter is restart and count up continuously by every falling edge of the \overline{ECn} pin input.

The maximum frequency applied to the \overline{ECn} pin is $f_{XIN}/2$ [Hz].

In order to use event counter function, the bit 4, 5 of the Port Mode Register PMR4(address $0D0_H$) is required to be set to "1".

After reset, the value of timer data register $TDRn$ is undefined, it should be initialized to between $1_H \sim FF_H$, not to "0". The interval period of Timer is calculated as below equation.

$$Period(sec) = \frac{1}{f_{XIN}} \times 2 \times Divide\ Ratio \times TDRn$$

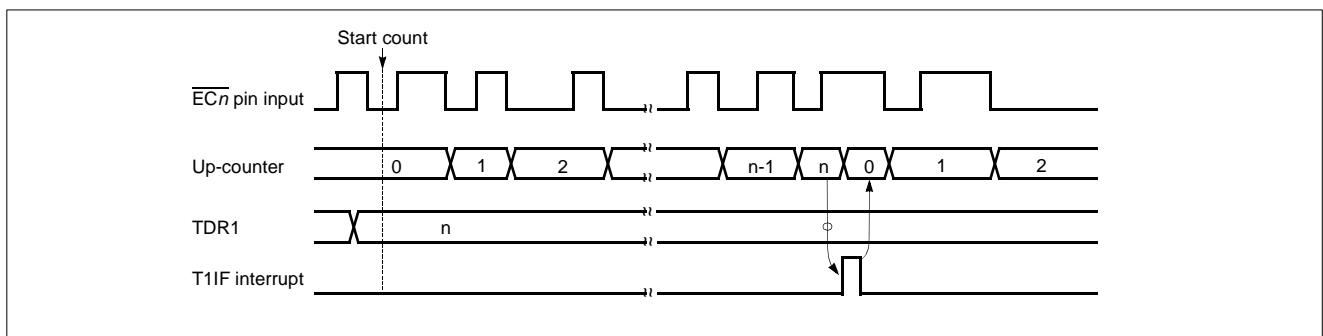


Figure 11-6 Event Counter Mode Timing Chart

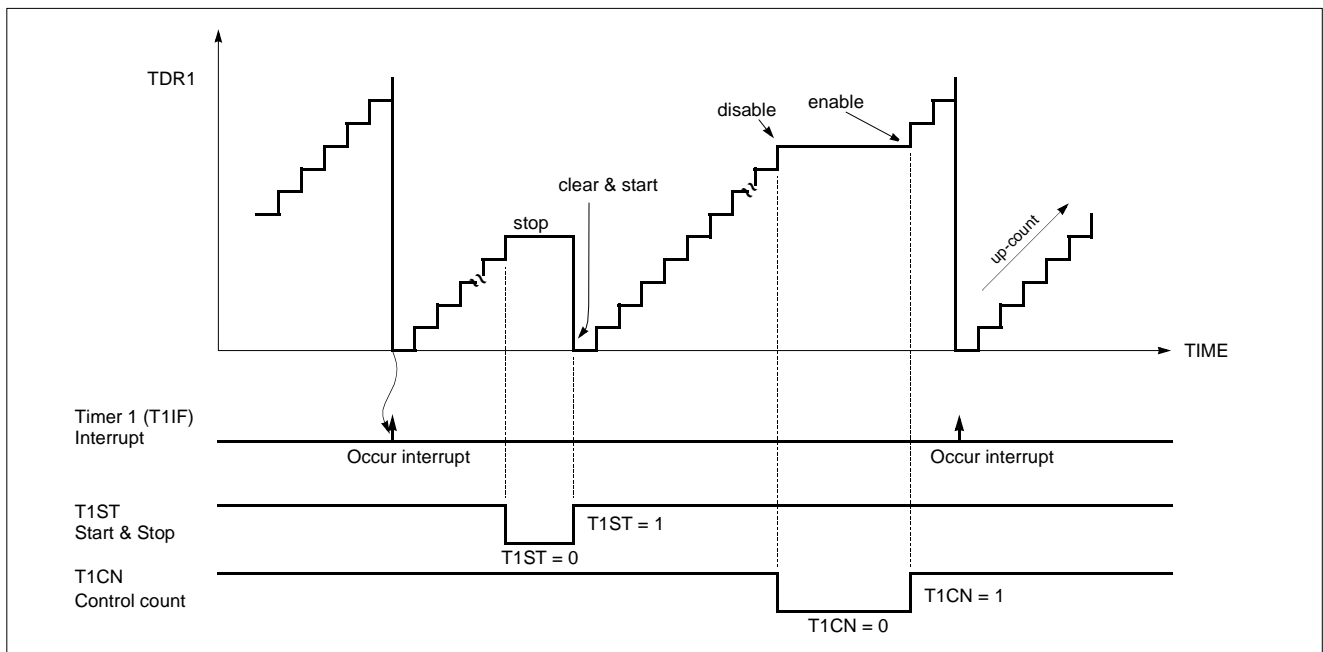


Figure 11-7 Count Operation of Timer / Event counter

11.2 16-bit Timer / Counter Mode

The Timer register is being run with all 16 bits. A 16-bit timer/counter register T0, T1 are incremented from 0000_H until it matches TDR0, TDR1 and then resets to 0000_H. The match output generates Timer 0 interrupt.

The clock source of the Timer 0 is selected either internal or external clock by bit TOSL1, TOSL0.

Even if the Timer 0 (including the Timer 1) is used as a 16-bit timer, the Timer 2 and Timer 3 can still be used as either two 8-bit timer or one 16-bit timer by setting the TM2. Reversely, even if the Timer 2 (including the Timer 3) is used as a 16-bit timer, the Timer 0 and Timer 1 can still be used as 8-bit timer independently.

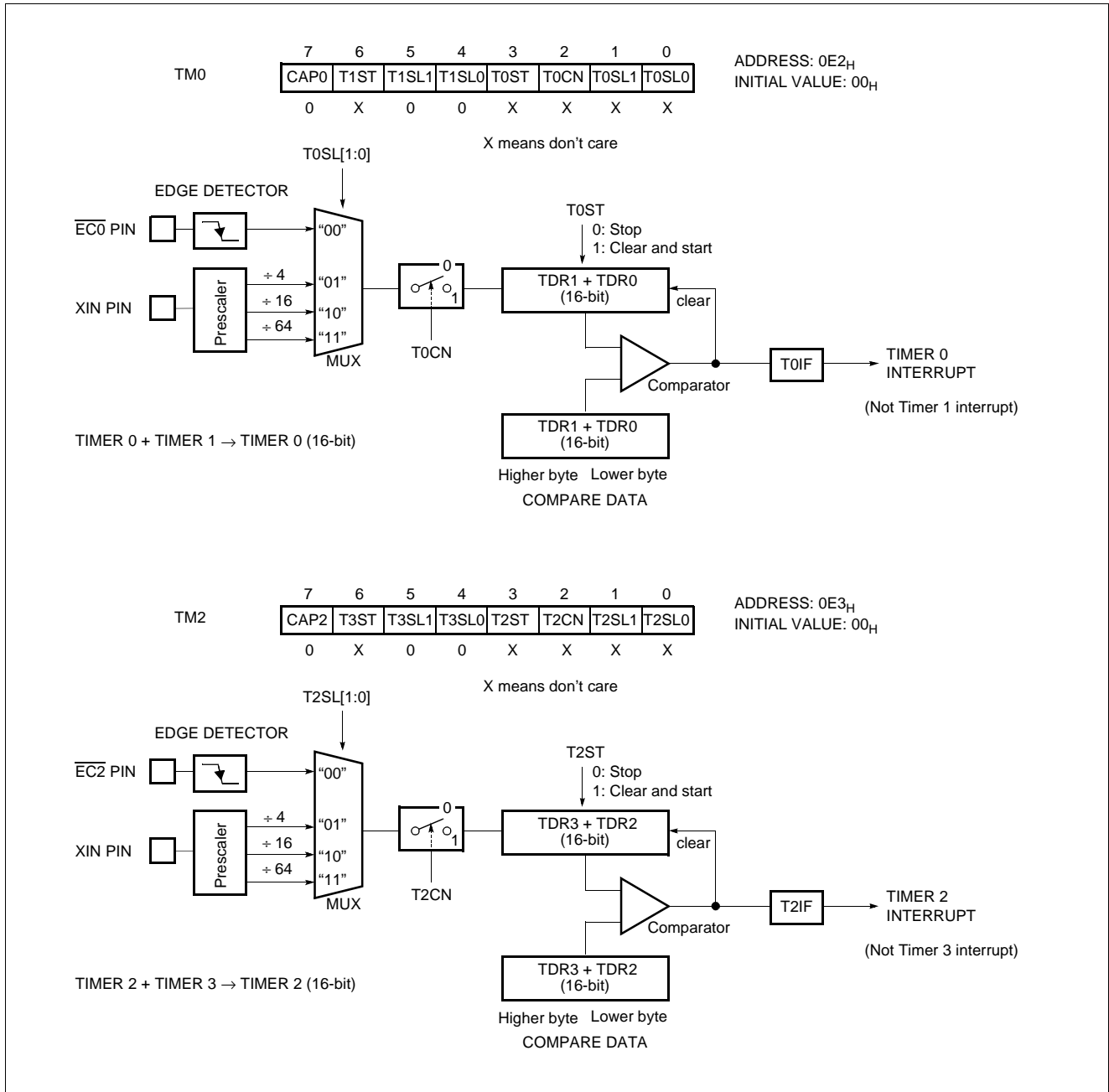


Figure 11-8 16-bit Timer/Counter

11.3 8-bit Capture Mode

The Timer 0 capture mode is set by bit CAP0 of timer mode register TM0 (bit CAP2 of timer mode register TM2 for Timer 2) as shown in Figure 21. In this mode, Timer 1 still operates as an 8-bit timer/counter.

As mentioned above, not only Timer 0 but Timer 2 can also be used as a capture mode.

In 8-bit capture mode, Timer 1 and Timer 3 are can not be used as a capture mode.

The Timer/Counter register is incremented in response internal or external input. This counting function is same with normal timer mode, but Timer interrupt is not generated. Timer/Counter still does the above, but with the added feature that a edge transition at external input INTn pin

causes the current value in the Timer counter register (T0,T2), to be captured into registers CDRn (CDR0, CDR2), respectively. After captured, Timer counter register is cleared and restarts by hardware.

Note: The CDRn and TDRn are in same address. In the capture mode, reading operation is read the CDRn, not TDRn because path is opened to the CDRn.

It has three transition modes: "falling edge", "rising edge", "both edge" which are selected by interrupt edge selection register IEDS. Refer to "16.4 External Interrupt" on page 61. In addition, the transition at INTn pin generate an interrupt.

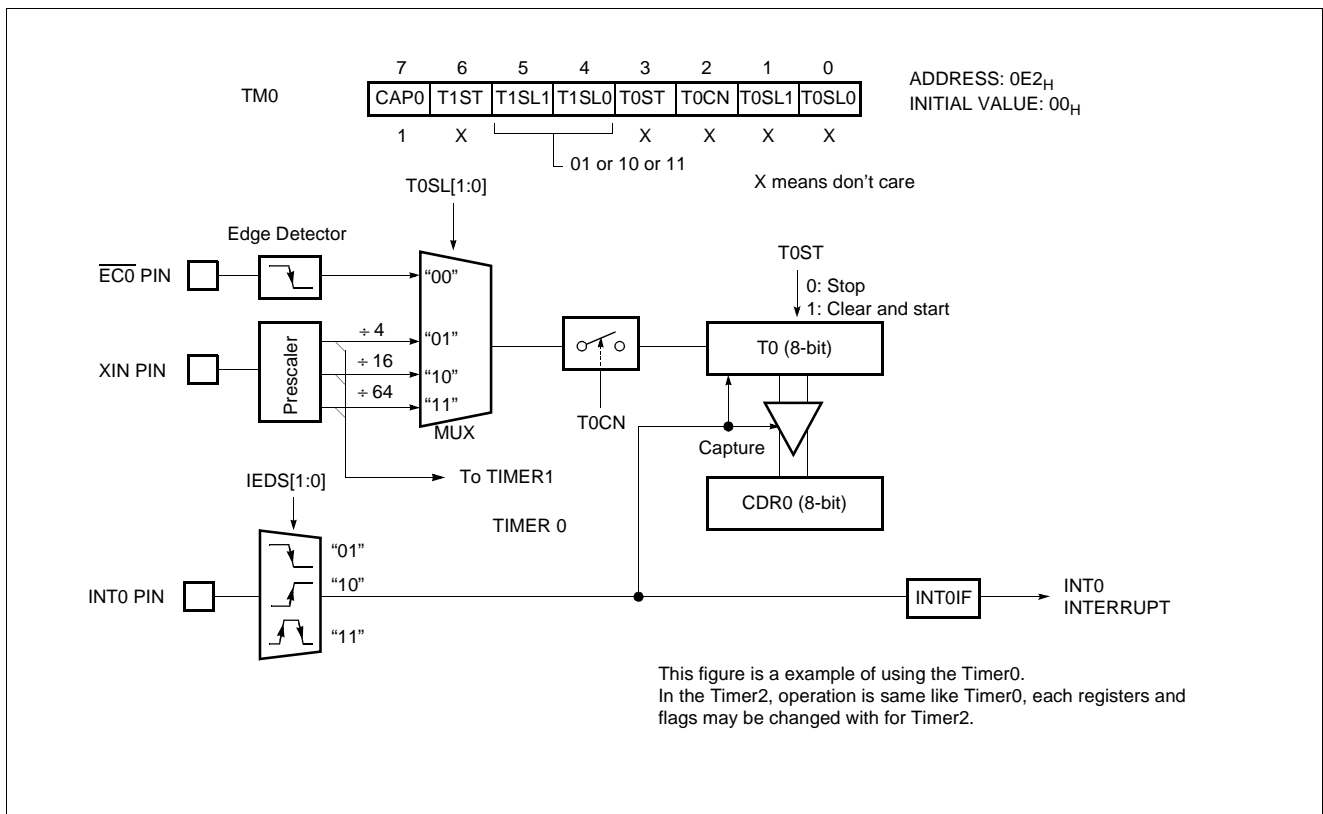


Figure 11-9 8-bit Capture Mode

11.4 16-bit Capture Mode

16-bit capture mode is the same as 8-bit capture, except that the Timer register is being run will 16 bits.

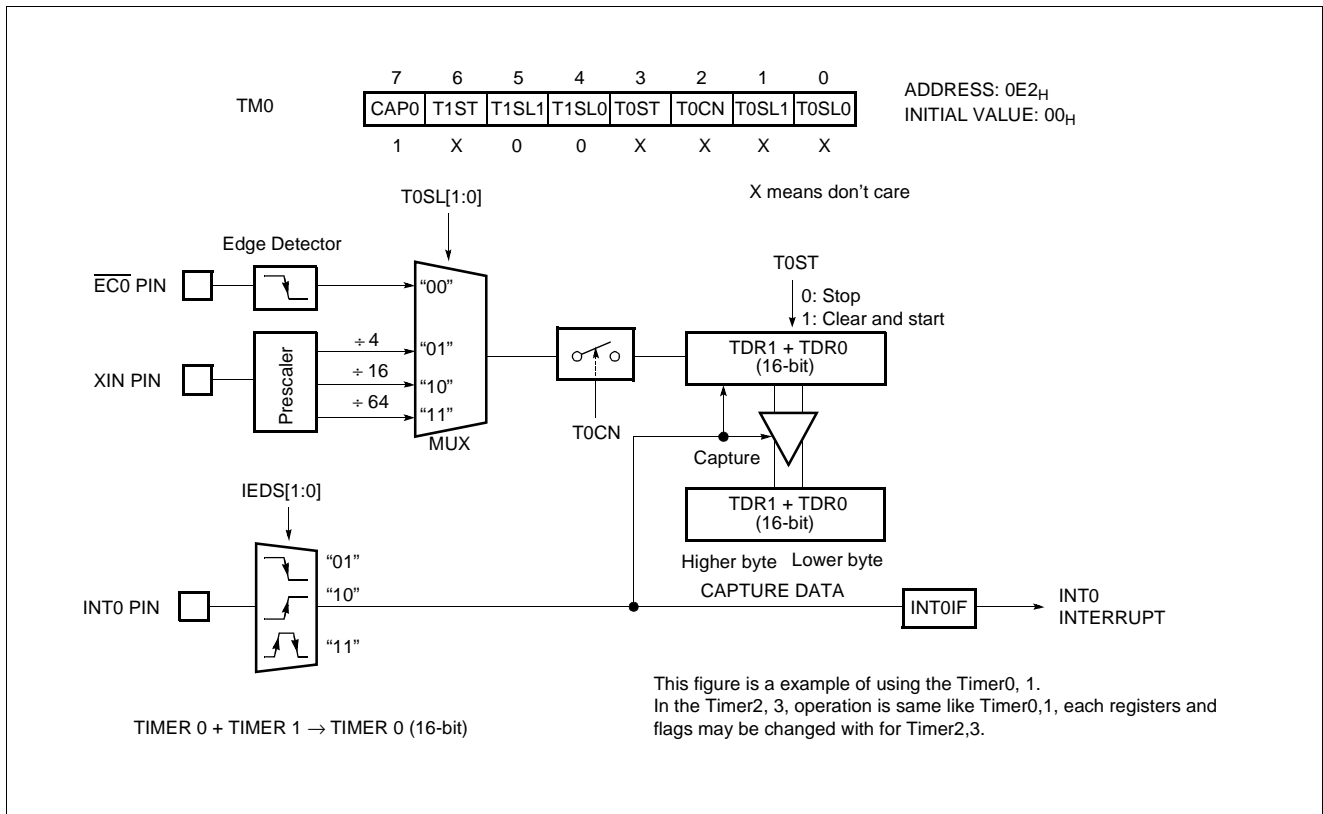


Figure 11-10 16-bit Capture Mode

Example 1:

Timer0 = 16-bit timer mode, 0.5s at 8MHz

Timer2 = 2ms 8-bit timer mode at 8MHz

Timer3 = 250us 8-bit timer mode at 8MHz

```

LDM   TDR0, #23H
LDM   TDR1, #0F4H
LDM   TM0, #0FH
LDM   TDR2, #249
LDM   TDR3, #124
LDM   TM2, #0110_1111B
SET1  T0E
SET1  T2E
SET1  T3E
EI
:
:

```

Example 2:

Timer0 = 8-bit timer mode, 2ms interval at 8MHz

Timer2 = 16-bit event counter mode

```

LDM   TDR0, #249
LDM   TM0, #0111_1111B
LDM   TDR2, #3FH
LDM   TDR3, #2AH
LDM   TM2, #0100_1100B
SET1  T0E
SET1  T2E
EI
:
:

```

Example 3:

Timer0 = 8-bit timer mode, 2ms interval at 8MHz

Timer2 = 8-bit capture mode

```

LDM   TDR0, #250
LDM   TM0, #0111_1111B
SET1  T0E
LDM   TDR2, #40H
LDM   TDR3, #2AH
LDM   TM2, #1111_1111B
SET1  T2E
LDM   IEDS, #XX11_XXXXB
LDM   PMR4, #XXXX_X1XXB
SET1  INT2E
EI
:
:

```

X: don't care.

Example 4:

Timer0 = 8-bit timer mode, 2ms interval at 8MHz

Timer2 = 16-bit capture mode

```

LDM   TDR0, #249
LDM   TM0, #0111_1111B
SET1  T0E
LDM   TDR2, #40H
LDM   TDR3, #2AH
LDM   TM2, #1100_1111B
SET1  T2E
LDM   IEDS, #XX11_XXXXB
LDM   PMR4, #XXXX_X1XXB
SET1  INT2E
EI
:
:

```

X: don't care.

12. ANALOG DIGITAL CONVERTER

The analog-to-digital converter (A/D) allows conversion of an analog input signal to a corresponding 8-bit digital value. The A/D module has eight analog inputs, which are multiplexed into one sample and hold. The output of the sample and hold is the input into the converter, which generates the result via successive approximation. The analog supply voltage is connected to AV_{DD} of ladder resistance of A/D module.

The A/D module has two registers which are the control register ADCM and A/D result register ADR. The register ADCM, shown in Figure 12-2, controls the operation of the A/D converter module. The port pins can be configured as analog inputs or digital I/O. To use analog inputs, I/O is selected input mode by R6DD direction register.

How to Use A/D Converter

The processing of conversion is start when the start bit ADST is set to "1". After one cycle, it is cleared by hardware. The register ADR contains the results of the A/D conversion. When the conversion is completed, the result is loaded into the ADR, the A/D conversion status bit ADSF is set to "1", and the A/D interrupt flag AIF is set. The block diagram of the A/D module is shown in Figure 12-1. The A/D status bit ADSF is set automatically when A/D conversion is completed, cleared when A/D conversion is in process. The conversion time takes maximum 20 μ S (at $f_{XIN}=8$ MHz).

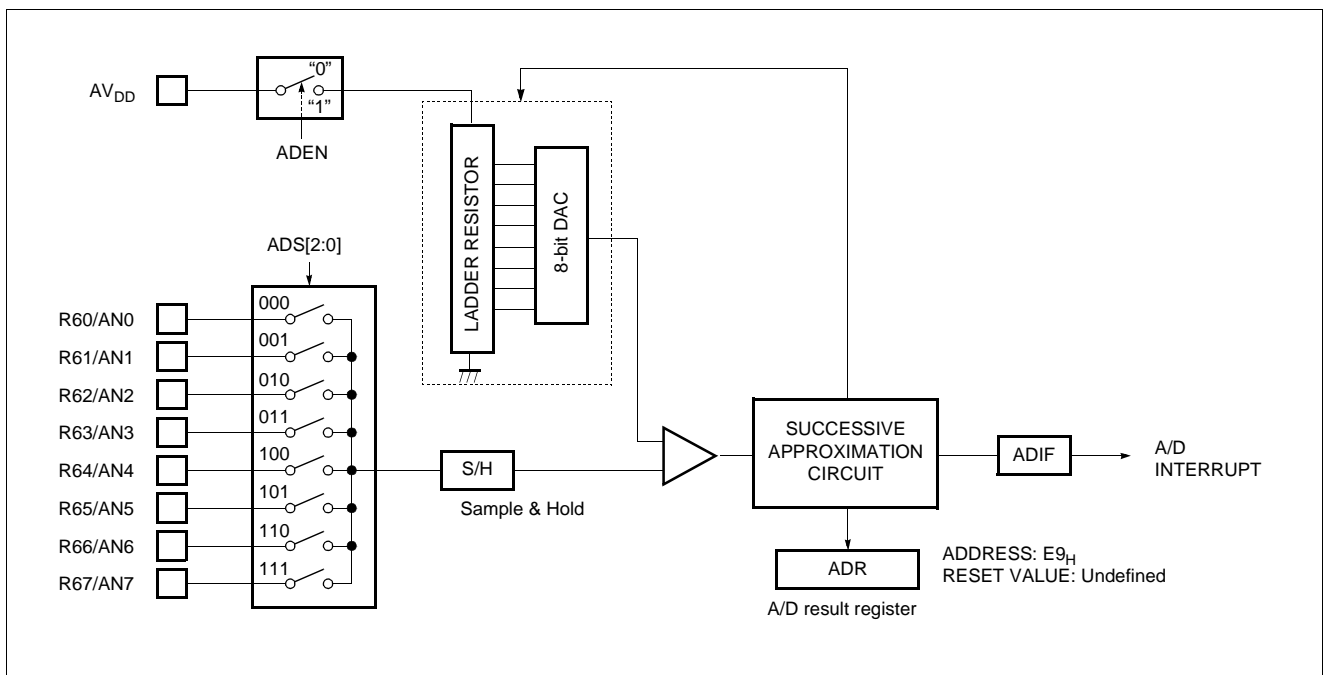


Figure 12-1 A/D Block Diagram

Note: On the initial RESET, R60 port is selected as an analog input by ADCM register. So it can not be used digital input port. To use this port as a digital I/O port, change to except "0" the value of ADCM. Finally all eight ports can not be used as digital I/O port simultaneously. At least one port must be in analog port.

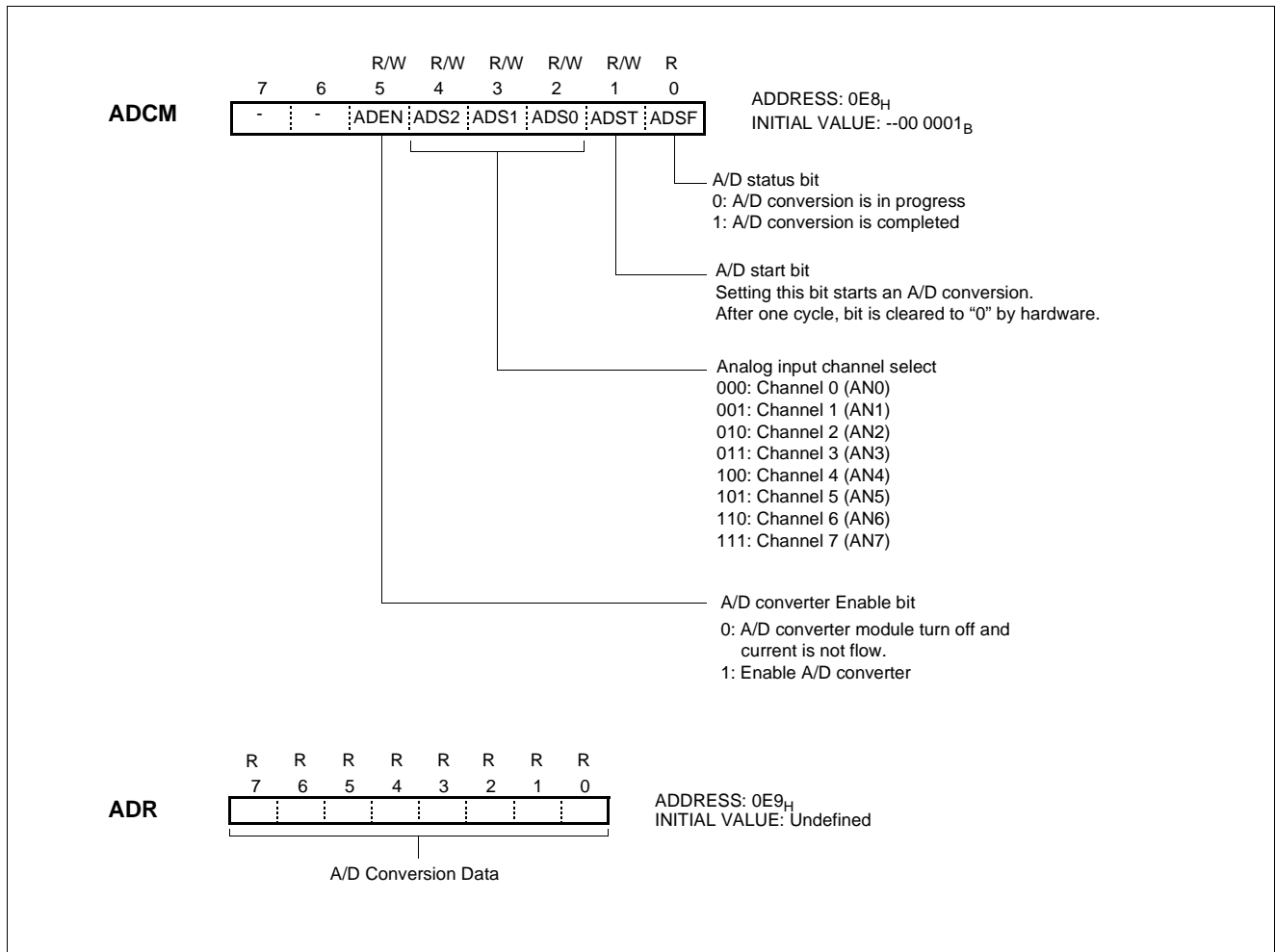


Figure 12-2 A/D Converter Control Register

13. SERIAL COMMUNICATION

The serial interface is used to transmit/receive 8-bit data serially. This consists of serial I/O data register, serial I/O mode register, clock selection circuit octal counter and control circuit as illustrated in Figure 13-1. Pin R50/SIN, R51/SOUT, R52/SCLK and R53/SRDY pins are con-

trolled by the Serial Mode Register. The contents of the Serial I/O data register can be written into or read out by software. The data in the Serial Data Register can be shifted synchronously with the transfer clock signal.

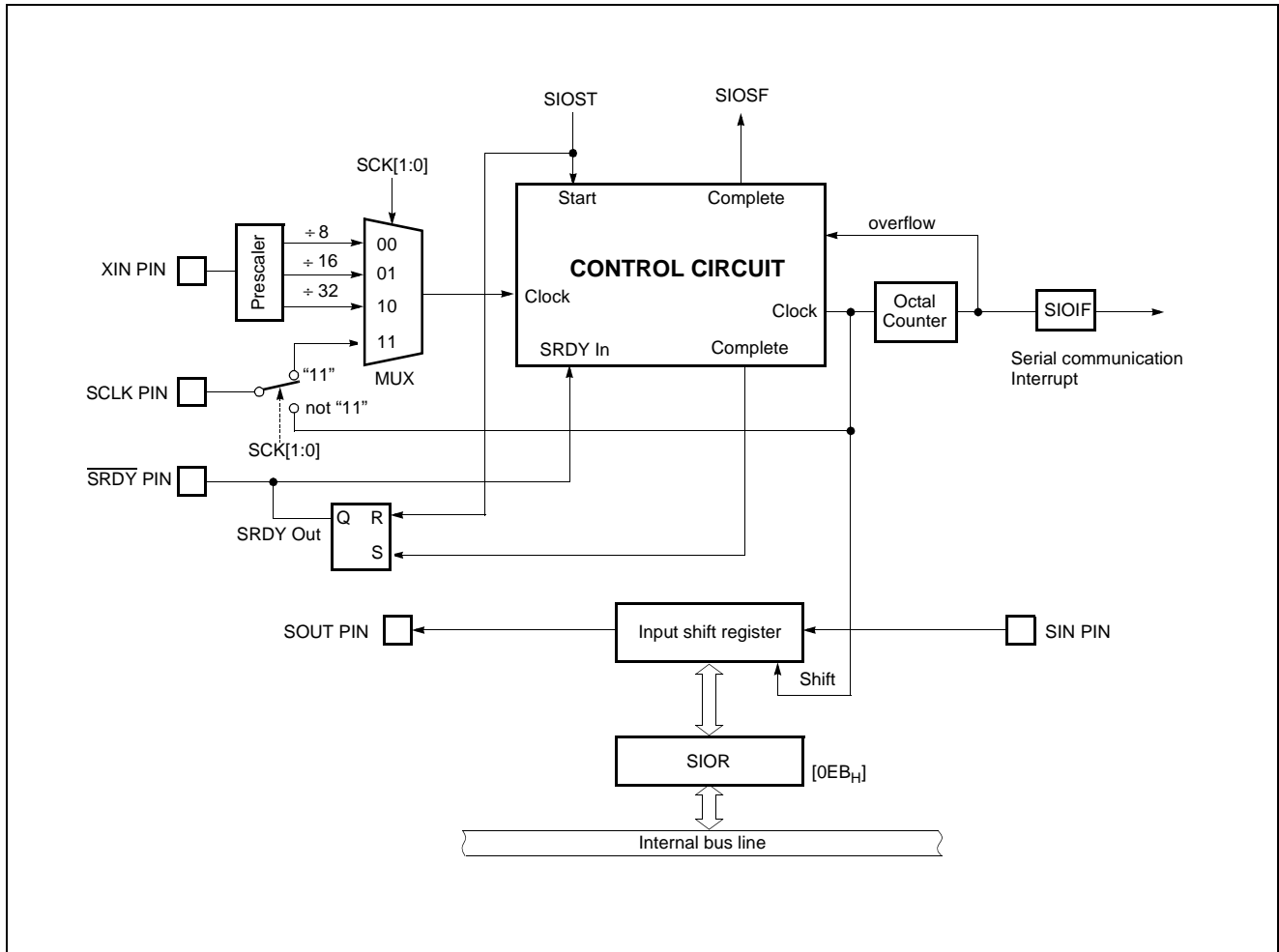


Figure 13-1 SCI Block Diagram

Serial I/O Mode Register(SIOM) controls serial I/O function. According to SCK1 and SCK0, the internal clock or external clock can be selected.

Serial I/O Data Register(SIOR) is an 8-bit shift register. First LSB is send or is received.

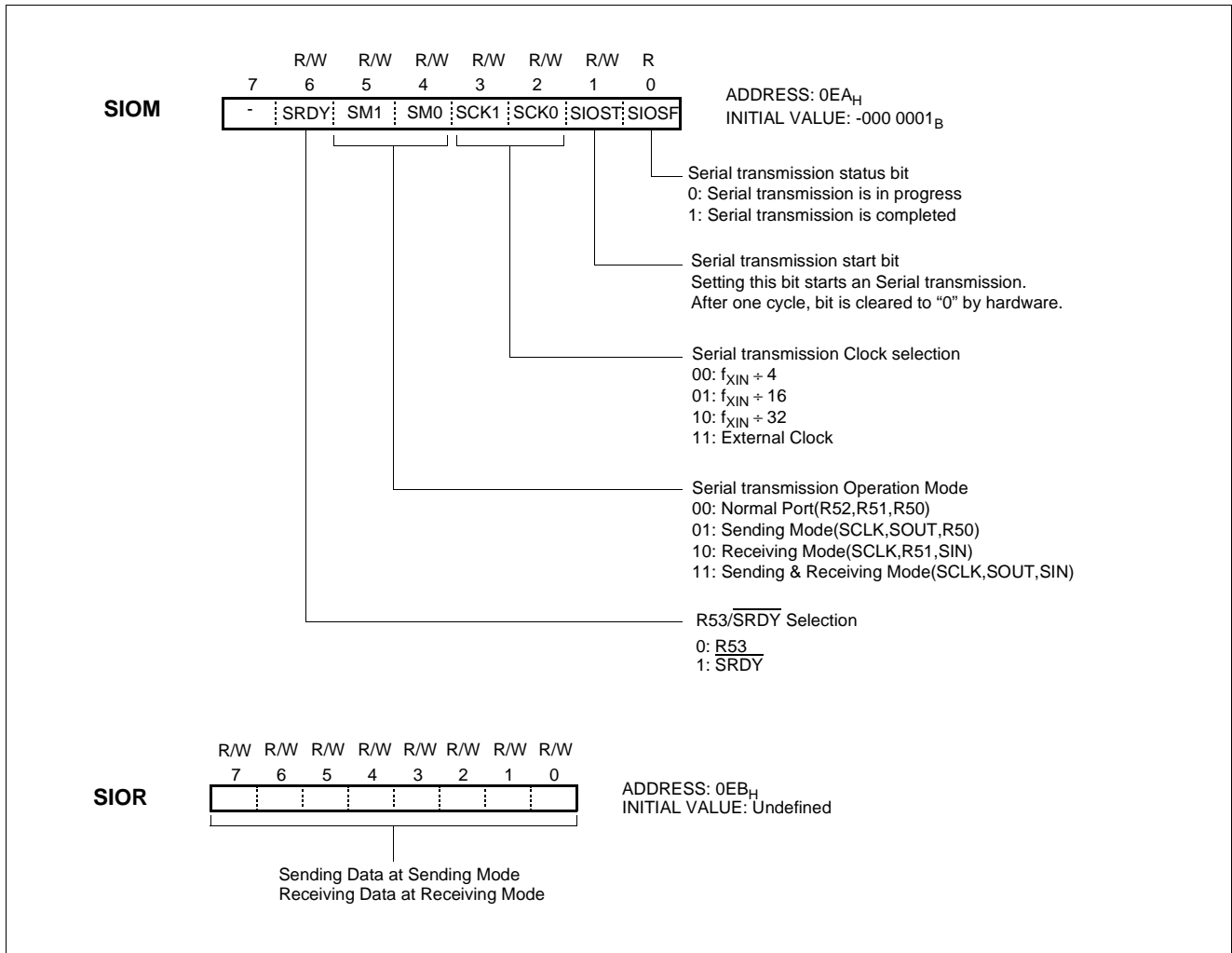


Figure 13-2 SCI Control Register

13.1 Transmission/Receiving Timing

The serial transmission is started by setting SIOST(bit1 of SIOM) to "1". After one cycle of SCK, SIOST is cleared automatically to "0". The serial output data from 8-bit shift register is output at falling edge of SCLK. And input data

is latched at rising edge of SCLK pin. When transmission clock is counted 8 times, serial I/O counter is cleared as '0'. Transmission clock is halted in "H" state and serial I/O interrupt(IFSIO) occurred.

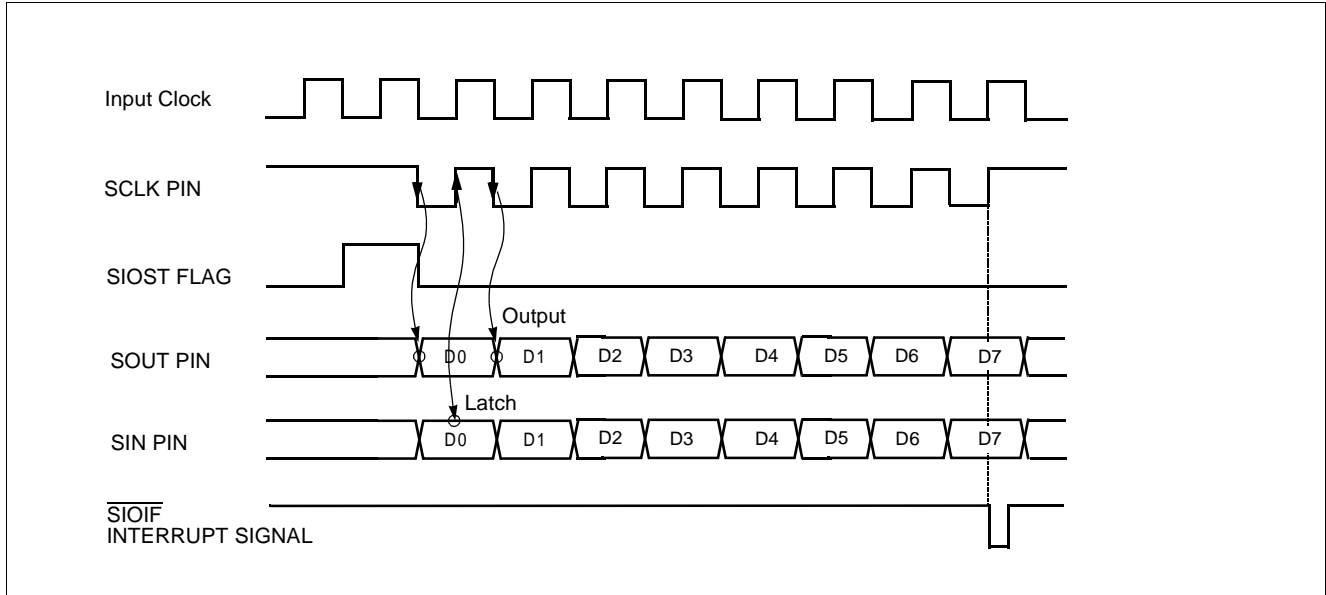


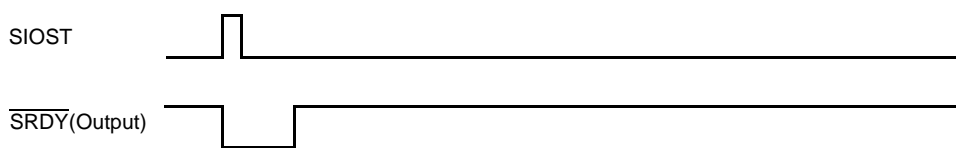
Figure 13-3 Timing Diagram of Serial I/O

13.2 The Serial I/O operation by SRDY pin

Transmission clock = external clock

The $\overline{\text{SRDY}}$ pin becomes "L" by SIOST = "1". This signal tells to the external system that this device is ready for se-

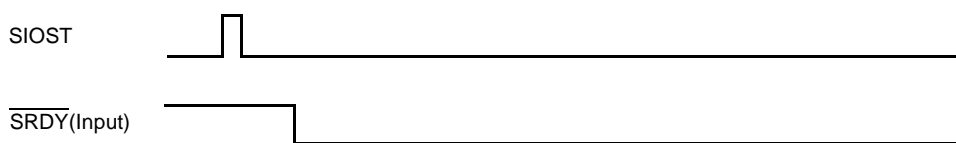
rial transmission. The external system detects the "L" signal and starts transmission. The $\overline{\text{SRDY}}$ pin becomes "H" at the first rising edge of transmission clock.



Transmission clock = internal clock

The I/O of $\overline{\text{SRDY}}$ pin is input mode. When the external system is ready for serial transmission, The "L" level is in-

puted at this pin. At this time this device starts serial transmission.



13.3 The method of Serial I/O

1. Select transmission/receiving mode.
2. In case of sending mode, write data to be send to SIOR.
3. Set SIOST to “1” to start serial transmission.
4. The SIO interrupt is generated at the completion of SIO and SIOSF is set to “1”. In SIO interrupt service routine, correct transmission should be tested.
5. In case of receiving mode, the received data is acquired by reading the SIOR.

Note: When external clock is used, the frequency should be less than 1MHz and recommended duty is 50%. If both transmission mode is selected and transmission is performed simultaneously it would be made error.

13.4 The Method to Test Correct Transmission

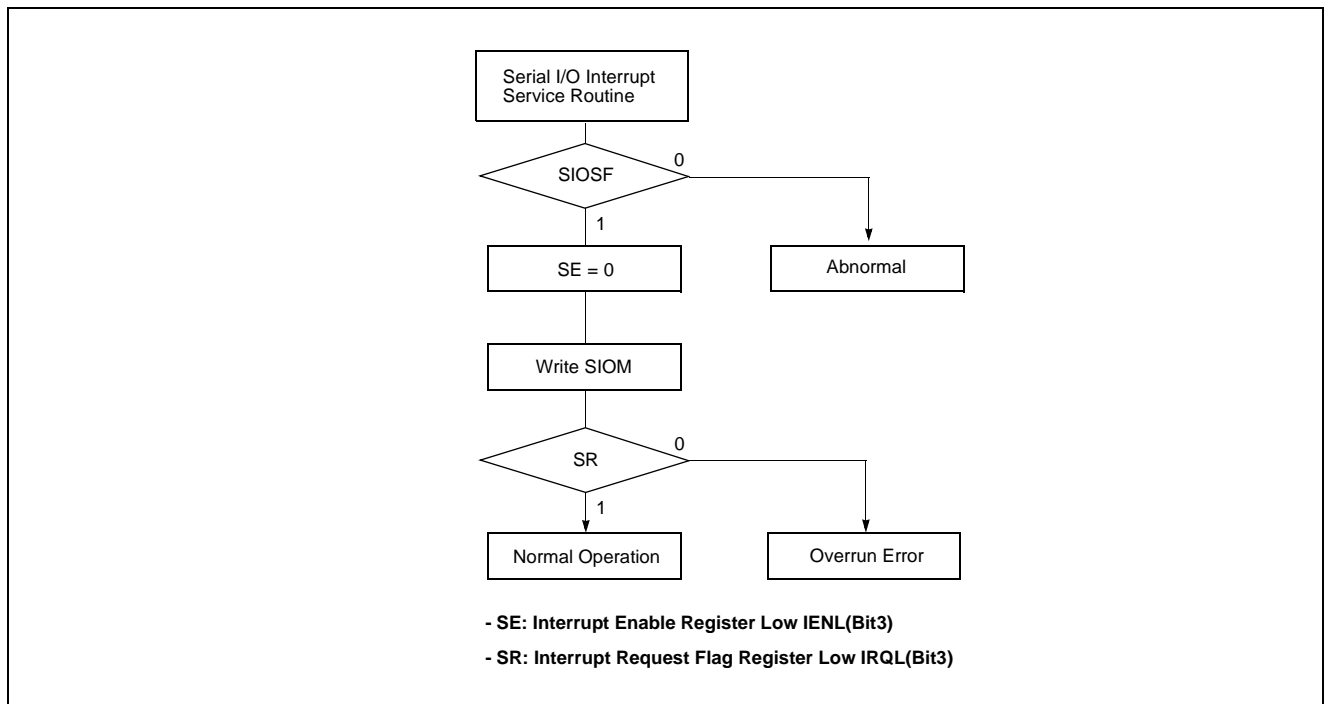


Figure 13-4 Serial Method to Test Transmission

14. PWM OUTPUT

The GMS815xxB have two channels of built-in pulse width modulation outputs. PWM outputs data are multiplex to the R56 and R57 port. Bit 6 and bit 7 of R5DD should be set to “1” when PWM is used as an output port.

The input clock is selected by PWM Control Register (PWMCR, address F2_H) and the width of pulse is determined by the PWM Register (PWMR, address F0_H and F1_H).

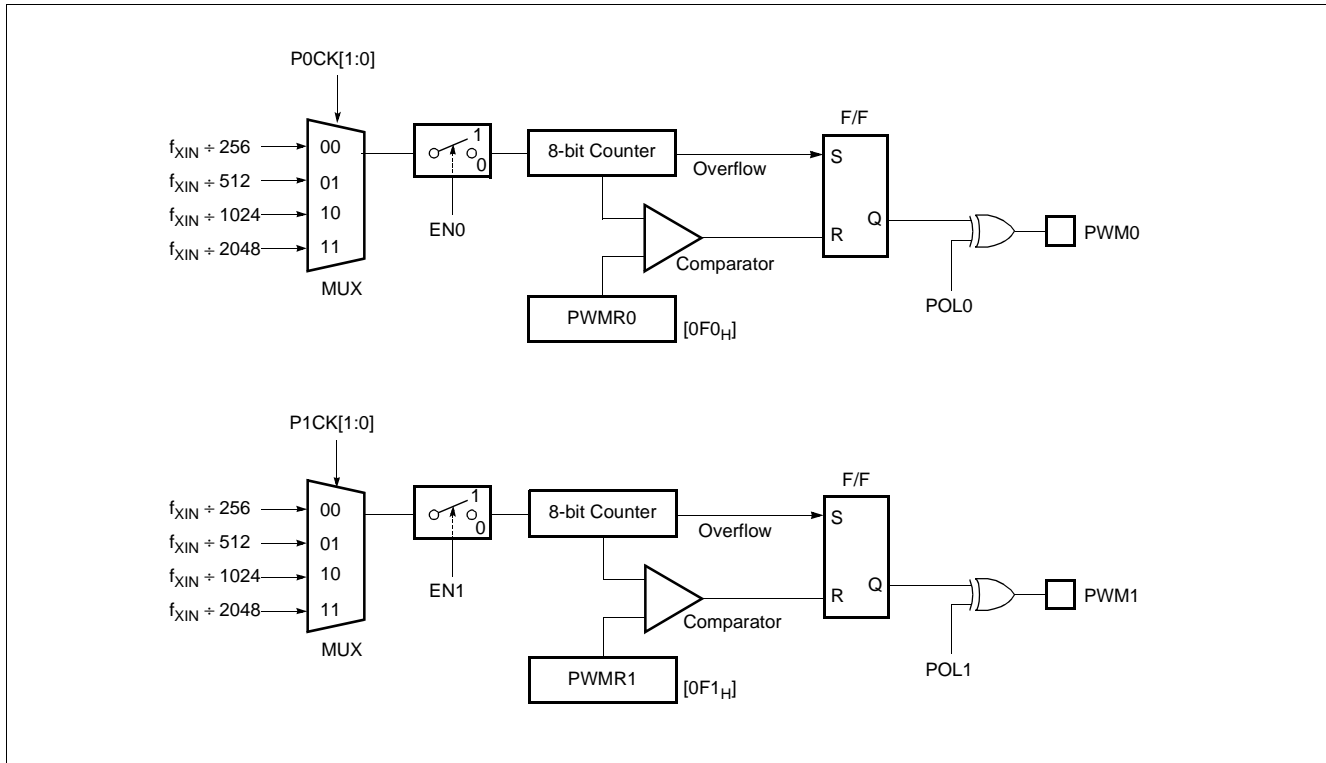


Figure 14-1 PWM block diagram

The pulse period according to input clock are shown as below.

Input clock	Period of PWM
f _{XIN} + 256	8.19 ms
f _{XIN} + 512	16.38 ms
f _{XIN} + 1024	32.77 ms
f _{XIN} + 2048	65.54 ms

Bit 2 (EN0) and bit 3 (EN1) of PWMCR determine the operation channel of PWM. When EN0=0 and EN1=0, PWM does not execute

It is a PWM output controlled by PWMCR, PWMR0 and PWMR1.

$$Duty\ ratio = \frac{PWMR + 1}{256} \times 100\%$$

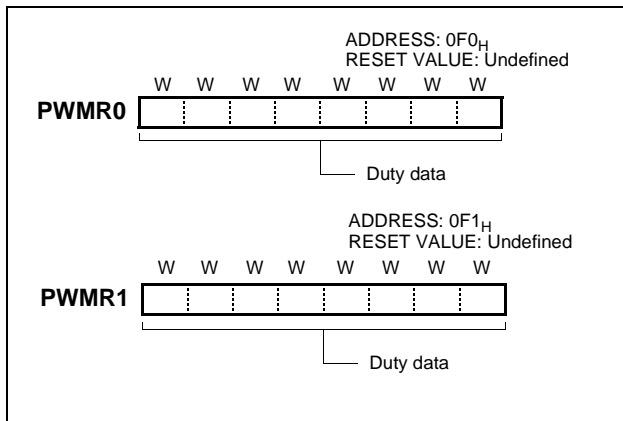


Figure 14-2 PWM Duty Register

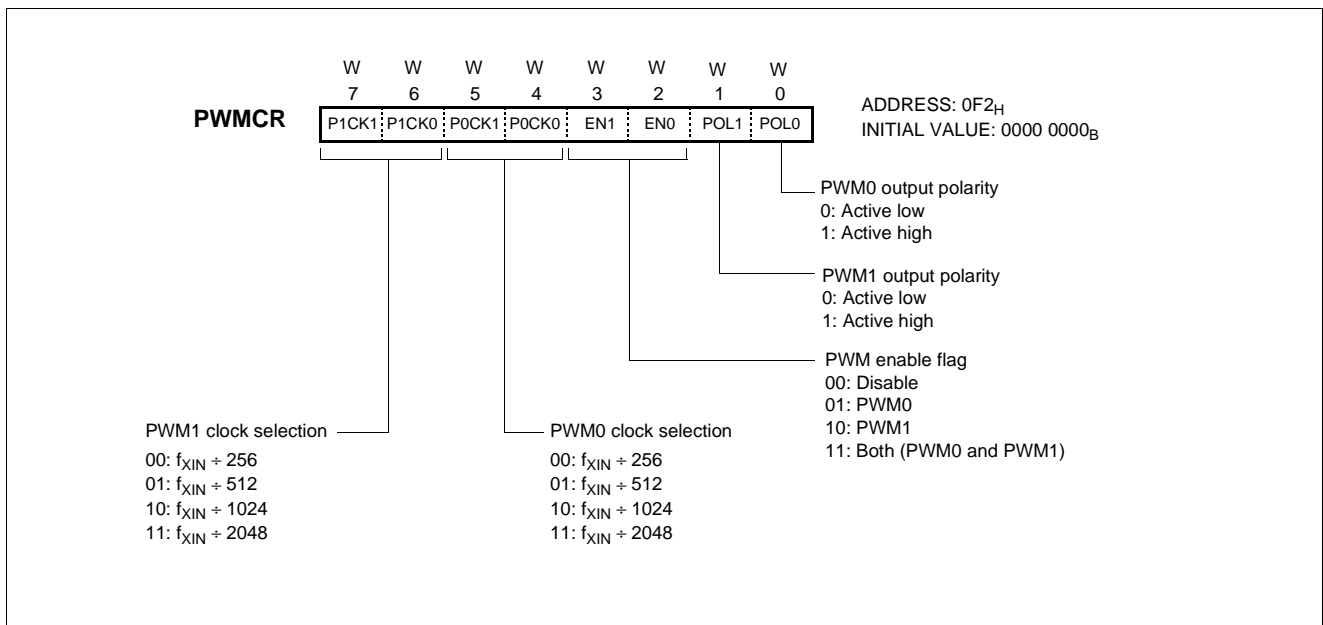


Figure 14-3 PWM Control Register

Example:

PWM0: Period = 16.384ms, Duty = 20%
 PWM1: Period = 8.192ms, Duty = 70%

```
LDM    PWMCR, #0100_1111B
LDM    PWMR0, #0B3H
LDM    PWMR1, #33H
```

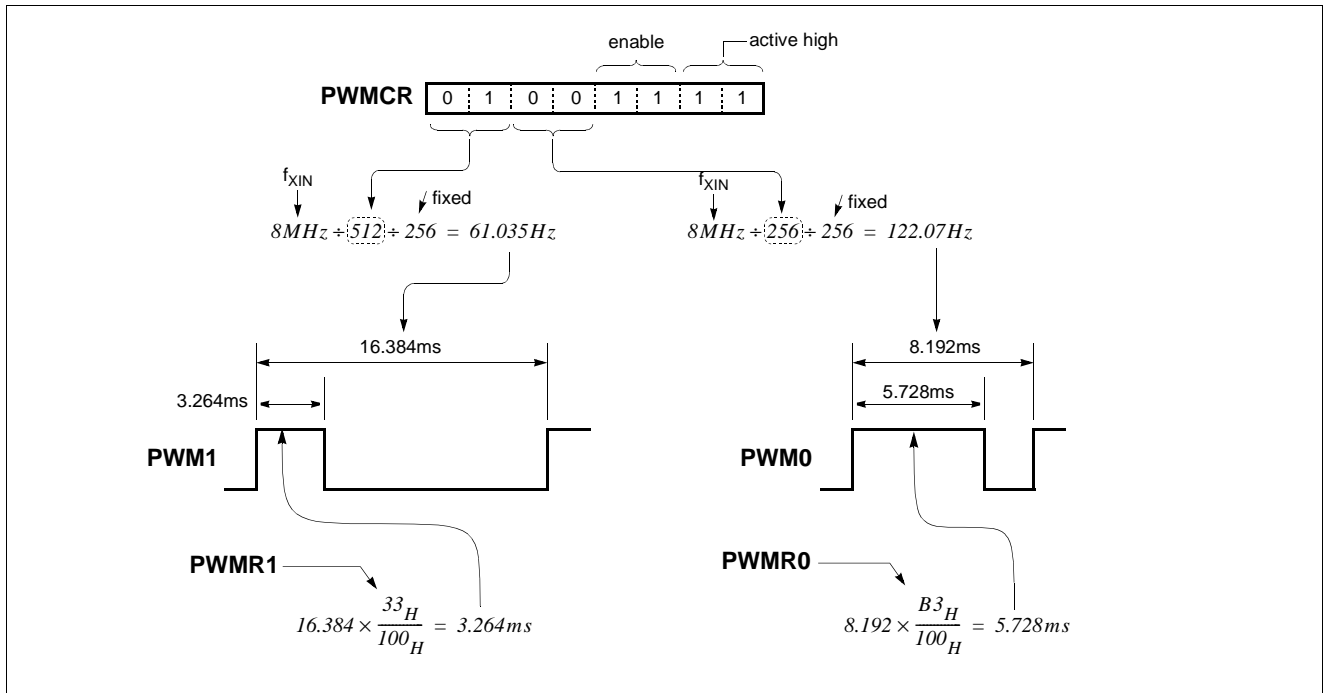



Figure 14-4 Example of Register Setting

15. BUZZER FUNCTION

The buzzer driver block consists of 6-bit binary counter, buzzer register, and clock source selector. It generates square-wave which has very wide range frequency (500Hz ~ 250kHz at $f_{XIN}= 8\text{MHz}$) by user software.

A 50% duty pulse can be output to R55/BUZ pin to use for piezo-electric buzzer drive. Pin R55 is assigned for output port of Buzzer driver by setting the bit 5 of PMR5 (address D1_H) to "1". At this time, the pin R55 must be defined as output mode (the bit 5 of R5DD=1).

Example: 2.4kHz output at 8MHz.

```
LDM R5DD, #XX1X_XXXXB
LDM BUR, #9AH

LDM PMR5, #XX1X_XXXXB
```

X means don't care

The bit 0 to 5 of BUR determines output frequency for buzzer driving.

Equation of frequency calculation is shown below.

$$f_{BUZ} = \frac{f_{XIN}}{2 \times DivideRatio \times BUR}$$

- f_{BUZ} : Buzzer frequency
- f_{XIN} : Oscillator frequency
- Divide Ratio: Prescaler divide ratio by BUCK[1:0]
- BUR: Lower 6-bit value of BUR. Buzzer period value.

The frequency of output signal is controlled by the buzzer control register BUR. The bit 0 to bit 5 of BUR determine output frequency for buzzer driving.

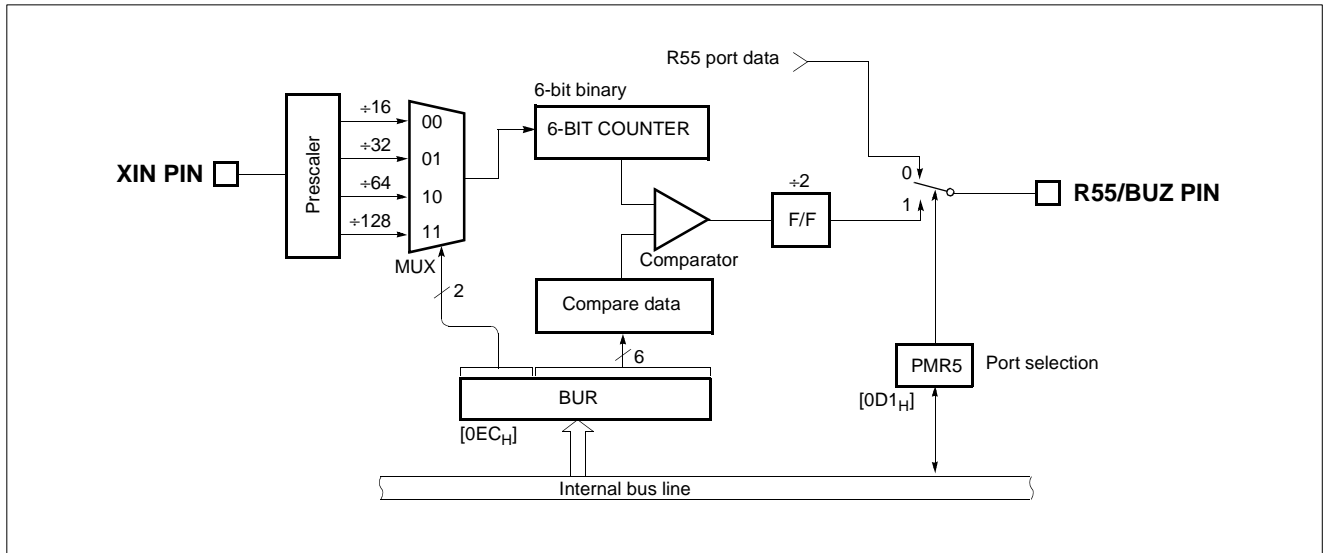


Figure 15-1 Block Diagram of Buzzer Driver

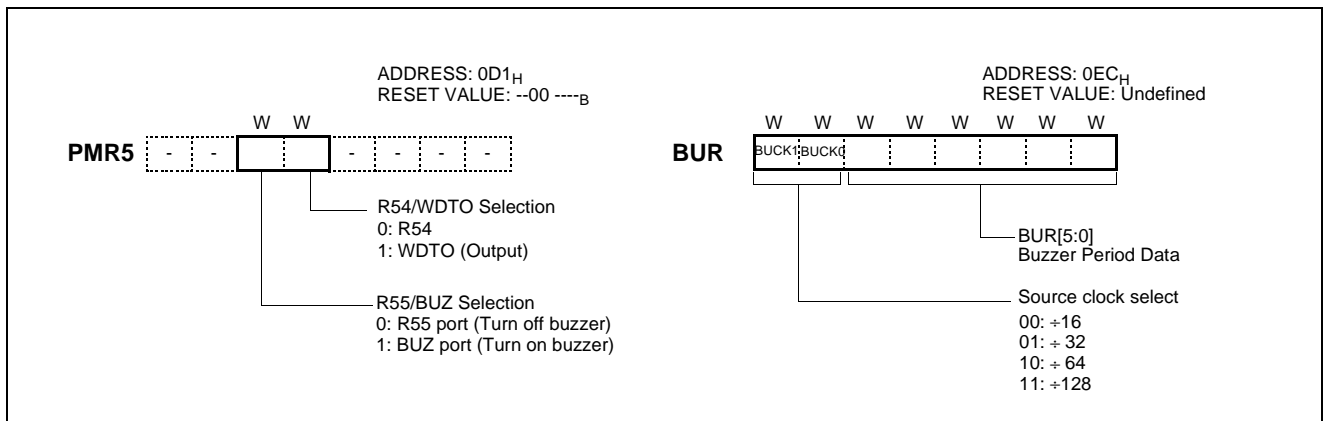


Figure 15-2 PMR5 and Buzzer Register

Note: BUR is undefined after reset, so it must be initialized to between 1_H and $3F_H$ by software.
Note that BUR is a write-only register.

The 6-bit counter is cleared and starts the counting by writing signal at BUR register. It is incremental from 00_H until it matches 6-bit BUR value.

When main-frequency is 8MHz, buzzer frequency is shown as below table.

BUR [5:0]	BUR[7:6]			
	00	01	10	11
00	-	-	-	-
01	250.000	125.000	62.500	31.250
02	125.000	62.500	31.250	15.625
03	83.333	41.667	20.833	10.417
04	62.500	31.250	15.625	7.813
05	50.000	25.000	12.500	6.250
06	41.667	20.833	10.417	5.208
07	35.714	17.857	8.929	4.464
08	31.250	15.625	7.813	3.906
09	27.778	13.889	6.944	3.472
0A	25.000	12.500	6.250	3.125
0B	22.727	11.364	5.682	2.841
0C	20.833	10.417	5.208	2.604
0D	19.231	9.615	4.808	2.404
0E	17.857	8.929	4.464	2.232
0F	16.667	8.333	4.167	2.083
10	15.625	7.813	3.906	1.953
11	14.706	7.353	3.676	1.838
12	13.889	6.944	3.472	1.736
13	13.158	6.579	3.289	1.645
14	12.500	6.250	3.125	1.563
15	11.905	5.952	2.976	1.488
16	11.364	5.682	2.841	1.420
17	10.870	5.435	2.717	1.359
18	10.417	5.208	2.604	1.302
19	10.000	5.000	2.500	1.250
1A	9.615	4.808	2.404	1.202
1B	9.259	4.630	2.315	1.157
1C	8.929	4.464	2.232	1.116
1D	8.621	4.310	2.155	1.078
1E	8.333	4.167	2.083	1.042
1F	8.065	4.032	2.016	1.008

BUR [5:0]	BUR[7:6]			
	00	01	10	11
20	7.813	3.906	1.953	0.977
21	7.576	3.788	1.894	0.947
22	7.353	3.676	1.838	0.919
23	7.143	3.571	1.786	0.893
24	6.944	3.472	1.736	0.868
25	6.757	3.378	1.689	0.845
26	6.579	3.289	1.645	0.822
27	6.410	3.205	1.603	0.801
28	6.250	3.125	1.563	0.781
29	6.098	3.049	1.524	0.762
2A	5.952	2.976	1.488	0.744
2B	5.814	2.907	1.453	0.727
2C	5.682	2.841	1.420	0.710
2D	5.556	2.778	1.389	0.694
2E	5.435	2.717	1.359	0.679
2F	5.319	2.660	1.330	0.665
30	5.208	2.604	1.302	0.651
31	5.102	2.551	1.276	0.638
32	5.000	2.500	1.250	0.625
33	4.902	2.451	1.225	0.613
34	4.808	2.404	1.202	0.601
35	4.717	2.358	1.179	0.590
36	4.630	2.315	1.157	0.579
37	4.545	2.273	1.136	0.568
38	4.464	2.232	1.116	0.558
39	4.386	2.193	1.096	0.548
3A	4.310	2.155	1.078	0.539
3B	4.237	2.119	1.059	0.530
3C	4.167	2.083	1.042	0.521
3D	4.098	2.049	1.025	0.512
3E	4.032	2.016	1.008	0.504
3F	3.968	1.984	0.992	0.496

Table 15-1 Buzzer Frequency

16. INTERRUPTS

The GMS815xxB interrupt circuits consist of Interrupt enable register (IENH, IENL), Interrupt request flags of IRQH, IRQL, Priority circuit, and Master enable flag (“I” flag of PSW). Thirteen interrupt sources are provided. The configuration of interrupt circuit is shown in Figure 16-2.

The External Interrupts INT0 ~ INT3 each can be transition-activated (1-to-0 or 0-to-1 transition) by selection IEDS.

The flags that actually generate these interrupts are bit INT0F, INT1F, INT2F and INT3F in register IRQH. When an external interrupt is generated, the flag that generated it is cleared by the hardware when the service routine is vectored to only if the interrupt was transition-activated.

The Timer 0 ~ Timer 3 Interrupts are generated by TxIF which is set by a match in their respective timer/counter register. The Basic Interval Timer Interrupt is generated by BITIF which is set by an overflow in the timer register.

The AD converter Interrupt is generated by ADIF which is set by finishing the analog to digital conversion.

The Watchdog timer Interrupt is generated by WDTIF which set by a match in Watchdog timer register.

The Basic Interval Timer Interrupt is generated by BITIF which are set by a overflow in the timer counter register.

The interrupts are controlled by the interrupt master enable flag I-flag (bit 2 of PSW on page 19), the interrupt enable

register (IENH, IENL), and the interrupt request flags (in IRQH and IRQL) except Power-on reset and software BRK interrupt. Below table shows the Interrupt priority.

Reset/Interrupt	Symbol	Priority
Hardware Reset	RESET	1
External Interrupt 0	INT0	2
External Interrupt 1	INT1	3
External Interrupt 2	INT2	4
External Interrupt 3	INT3	5
Timer/Counter 0	Timer 0	6
Timer/Counter 1	Timer 1	7
Timer/Counter 2	Timer 2	8
Timer/Counter 3	Timer 3	9
ADC Interrupt	ADC	10
Basic Interval Timer	BIT	11
Watchdog Timer	WDT	12
Serial Communication	SCI	13

Vector addresses are shown in Figure 8-6 on page 21. Interrupt enable registers are shown in Figure 16-3. These registers are composed of interrupt enable flags of each interrupt source and these flags determines whether an interrupt will be accepted or not. When enable flag is “0”, a corresponding interrupt source is prohibited. Note that PSW contains also a master enable bit, I-flag, which disables all interrupts at once.

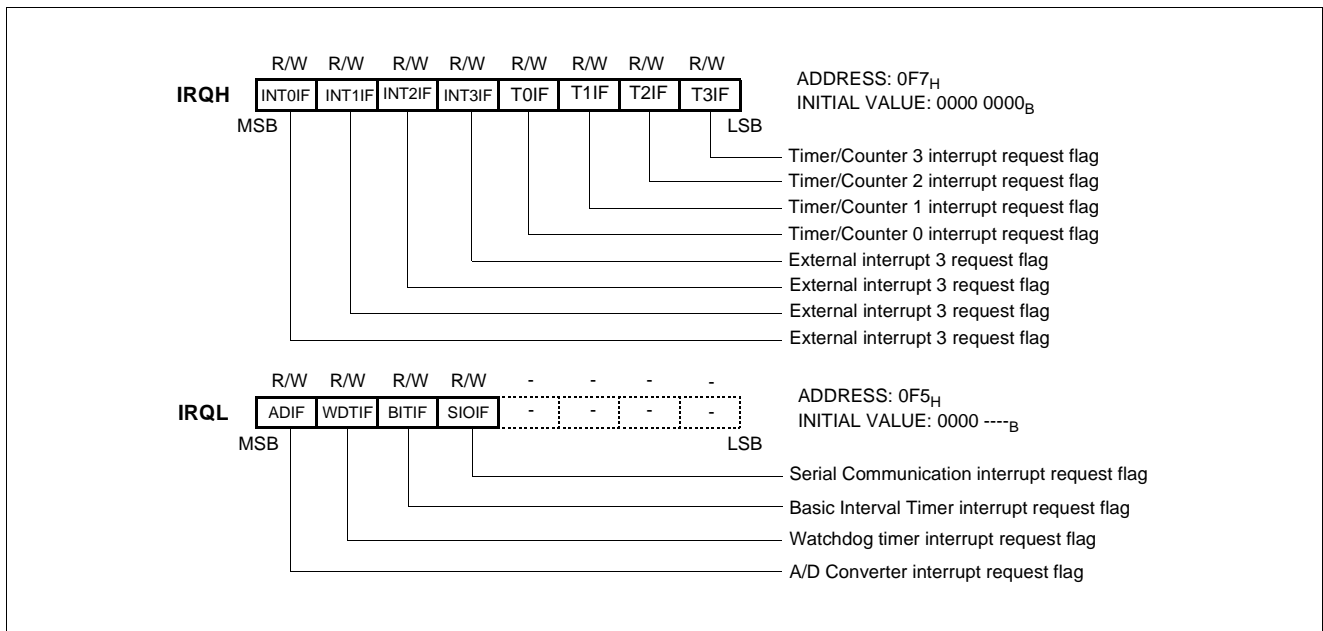


Figure 16-1 Interrupt Request Flag

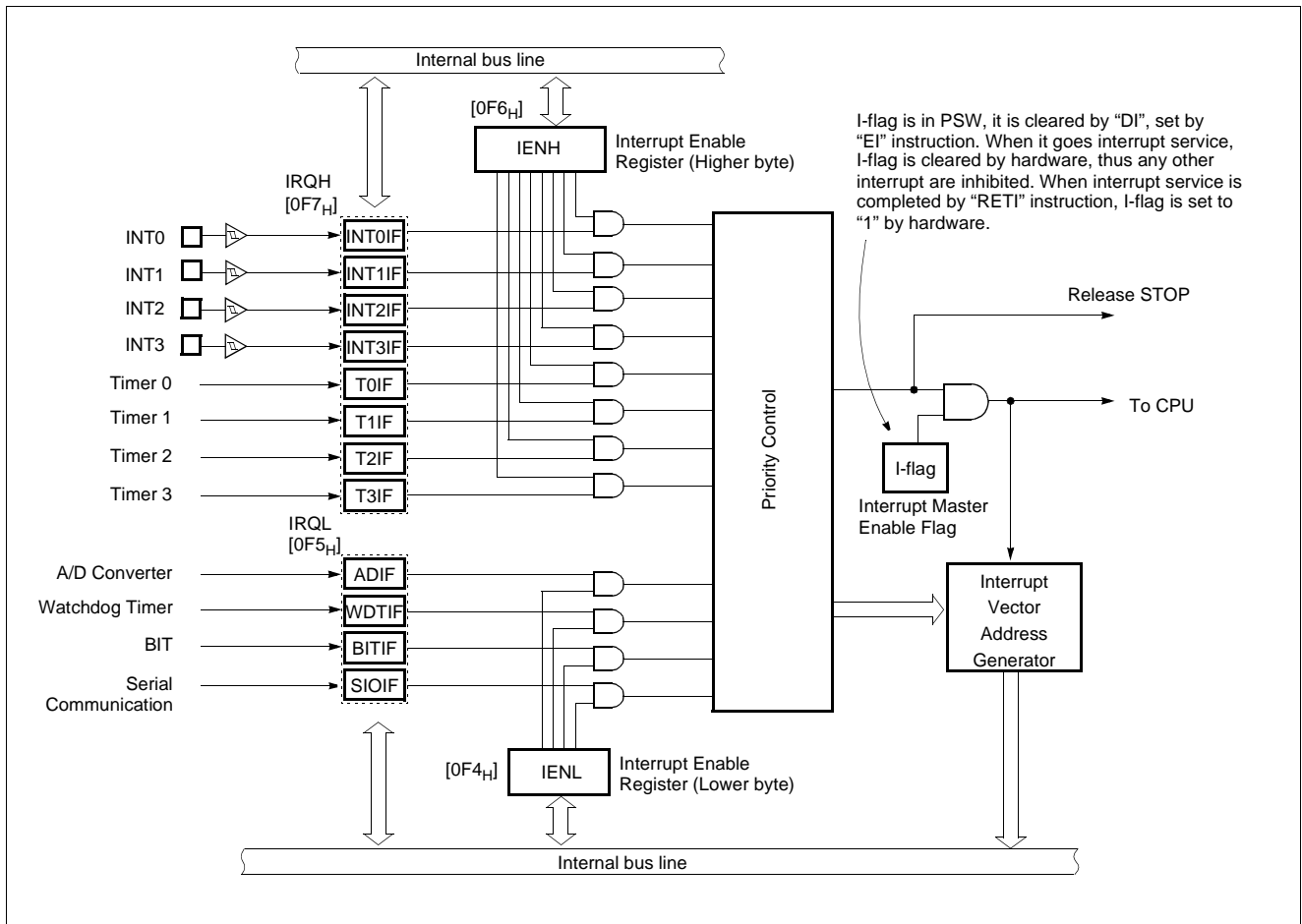


Figure 16-2 Block Diagram of Interrupt

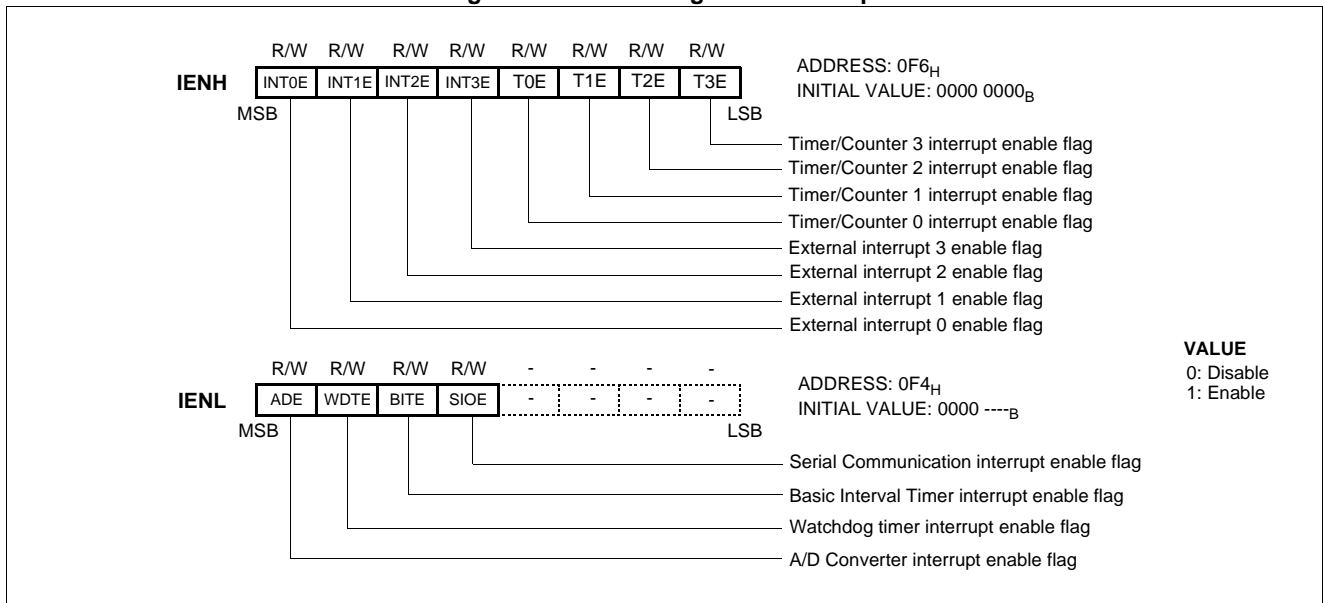


Figure 16-3 Interrupt Enable Flag

16.1 Interrupt Sequence

An interrupt request is held until the interrupt is accepted or the interrupt latch is cleared to “0” by a reset or an instruction. Interrupt acceptance sequence requires $8 f_{XIN}$ ($2 \mu s$ at $f_{MAIN}=4.19MHz$) after the completion of the current instruction execution. The interrupt service task is terminated upon execution of an interrupt return instruction [RETI].

Interrupt acceptance

1. The interrupt master enable flag (I-flag) is cleared to “0” to temporarily disable the acceptance of any following maskable interrupts. When a non-maskable interrupt is accepted, the acceptance of any following interrupts is temporarily disabled.

2. Interrupt request flag for the interrupt source accepted is cleared to “0”.
3. The contents of the program counter (return address) and the program status word are saved (pushed) onto the stack area. The stack pointer decreases 3 times.
4. The entry address of the interrupt service program is read from the vector table address and the entry address is loaded to the program counter.
5. The instruction stored at the entry address of the interrupt service program is executed.

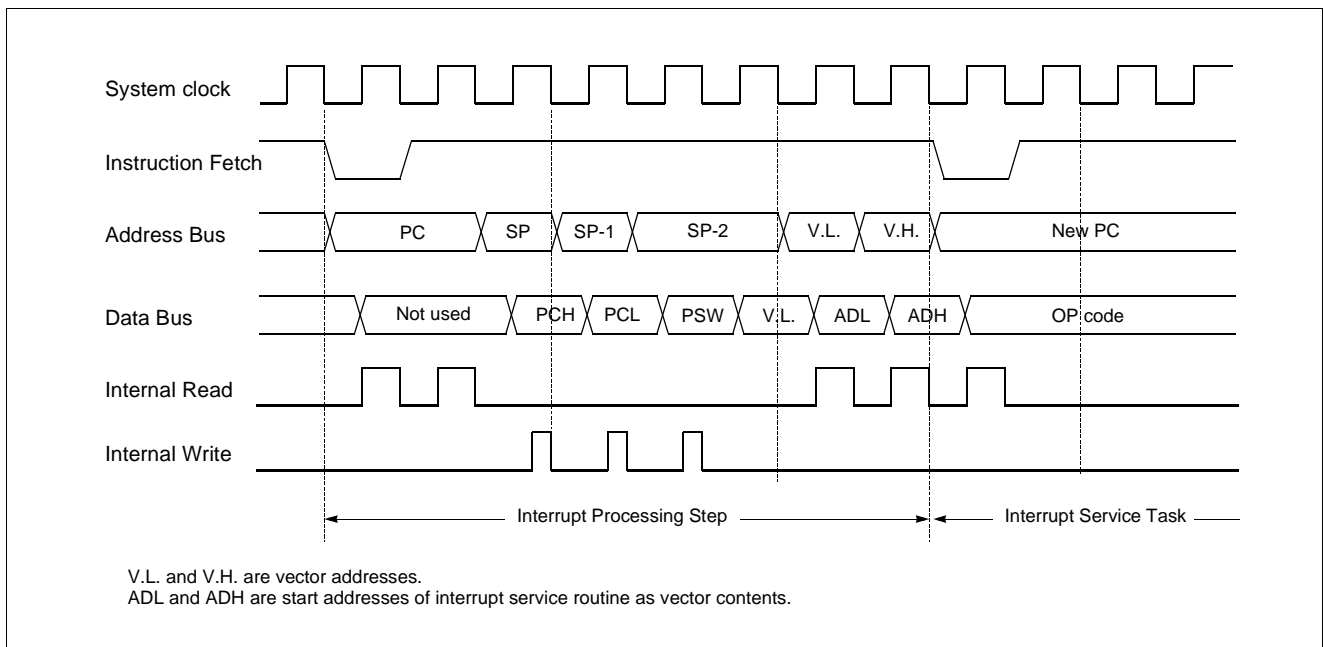
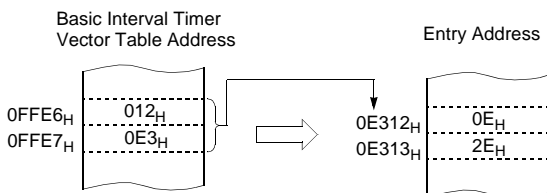


Figure 16-4 Timing chart of Interrupt Acceptance and Interrupt Return Instruction



Correspondence between vector table address for BIT interrupt and the entry address of the interrupt service program.

An interrupt request is not accepted until the I-flag is set to “1” even if a requested interrupt has higher priority than that of the current interrupt being serviced.

When nested interrupt service is required, the I-flag should be set to “1” by “EI” instruction in the interrupt service program. In this case, acceptable interrupt sources are selectively enabled by the individual interrupt enable flags.

Saving/Restoring General-purpose Register

During interrupt acceptance processing, the program counter and the program status word are automatically saved on the stack, but accumulator and other registers are not saved itself. These registers are saved by the software if necessary. Also, when multiple interrupt services are nested, it is necessary to avoid using the same data memory

area for saving registers.

The following method is used to save/restore the general-purpose registers.

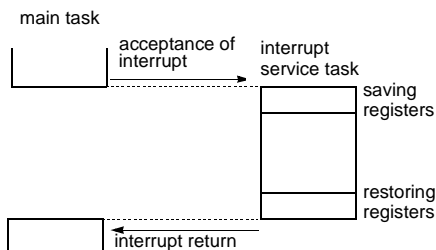
Example: Register save using push and pop instructions

```
INTxx:  PUSH    A      ;SAVE ACC.
        PUSH    X      ;SAVE X REG.
        PUSH    Y      ;SAVE Y REG.
```

interrupt processing

```
        POP     Y      ;RESTORE Y REG.
        POP     X      ;RESTORE X REG.
        POP     A      ;RESTORE ACC.
        RETI          ;RETURN
```

General-purpose register save/restore using push and pop instructions;



16.2 BRK Interrupt

Software interrupt can be invoked by BRK instruction, which has the lowest priority order.

Interrupt vector address of BRK is shared with the vector of TCALL 0 (Refer to Program Memory Section). When BRK interrupt is generated, B-flag of PSW is set to distinguish BRK from TCALL 0.

Each processing step is determined by B-flag as shown in Figure 16-5.

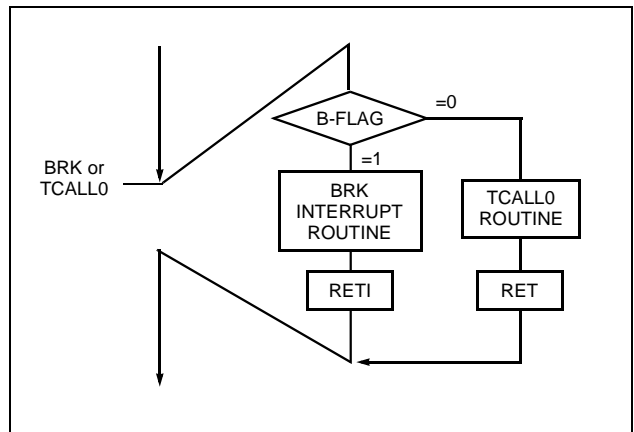


Figure 16-5 Execution of BRK/TCALL0

16.3 Multi Interrupt

If two requests of different priority levels are received simultaneously, the request of higher priority level is serviced. If requests of the interrupt are received at the same time simultaneously, an internal polling sequence determines by hardware which request is serviced.

However, multiple processing through software for special features is possible. Generally when an interrupt is accepted, the I-flag is cleared to disable any further interrupt. But as user sets I-flag in interrupt routine, some further interrupt can be serviced even if certain interrupt is in progress.

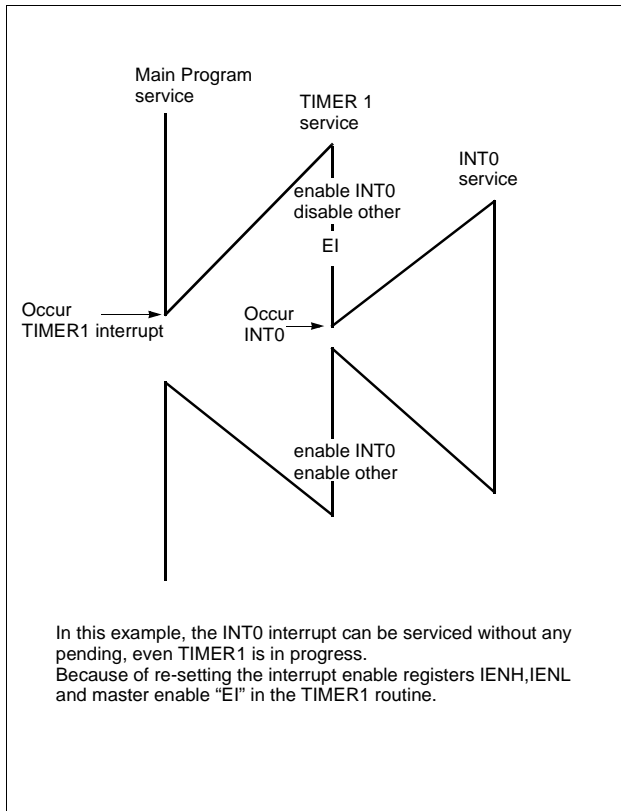


Figure 16-6 Execution of Multi Interrupt

Example: During Timer1 interrupt is in progress, INT0 interrupt serviced without any suspend.

```
TIMER1:  PUSH  A
         PUSH  X
         PUSH  Y
         LDM   IENH,#80H ; Enable INT0 only
         LDM   IENL,#0   ; Disable other
         EI      ; Enable Interrupt
         :
         :
         :
         :
         LDM   IENH,#0FFH ; Enable all interrupts
         LDM   IENL,#0F0H
         POP   Y
         POP   X
         POP   A
         RETI
```

16.4 External Interrupt

The external interrupt on INT0, INT1, INT2 and INT3 pins are edge triggered depending on the edge selection register IEDS (address 0F8H) as shown in Figure 16-7.

The edge detection of external interrupt has three transition

activated mode: rising edge, falling edge, and both edge.

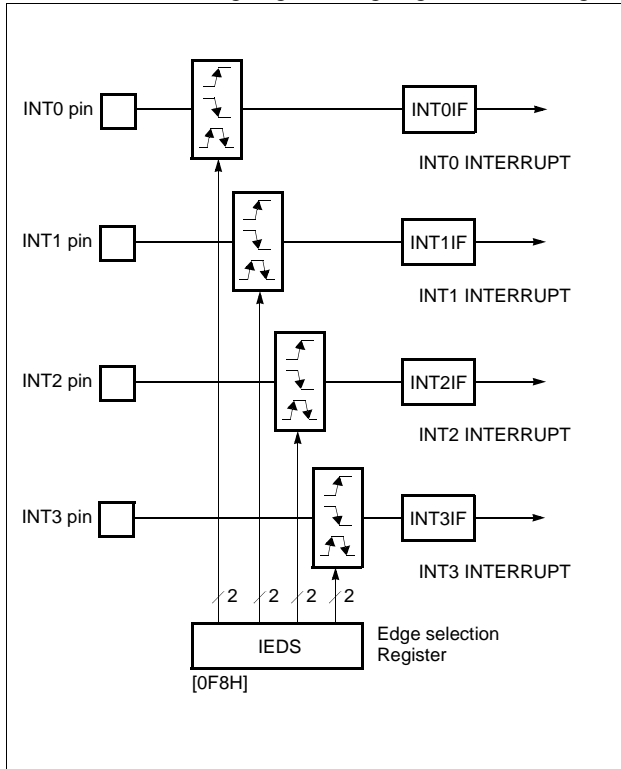


Figure 16-7 External Interrupt Block Diagram

INT0 ~ INT3 are multiplexed with general I/O ports (R40~R43). To use as an external interrupt pin, the bit of R4 port mode register PMR4 should be set to "1" corre-

spondingly.

Example: To use as an INT0 and INT2

```

:
:
;**** Set port as an input port R40,R42
LDM R4DD,#1111_1010B
;
;**** Set port as an external interrupt port
LDM PMR4,#05H
;
;**** Set Falling-edge Detection
LDM IEDS,#0001_0001B
:
:
:
    
```

Response Time

The INT0 ~ INT3 edge are latched into INT1IF ~ INT3IF at every machine cycle. The values are not actually polled by the circuitry until the next machine cycle. If a request is active and conditions are right for it to be acknowledged, a hardware subroutine call to the requested service routine will be the next instruction to be executed. The DIV itself takes twelve cycles. Thus, a minimum of twelve complete machine cycles elapse between activation of an external interrupt request and the beginning of execution of the first instruction of the service routine.

Figure 16-8 shows interrupt response timings.

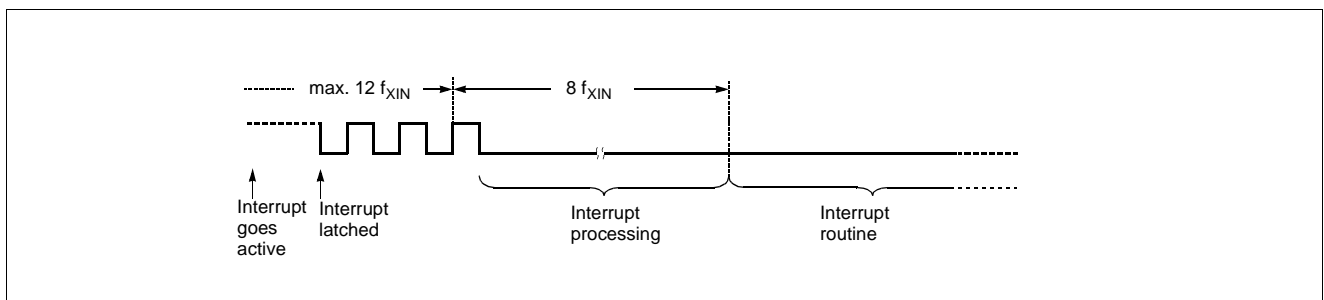


Figure 16-8 Interrupt Response Timing Diagram

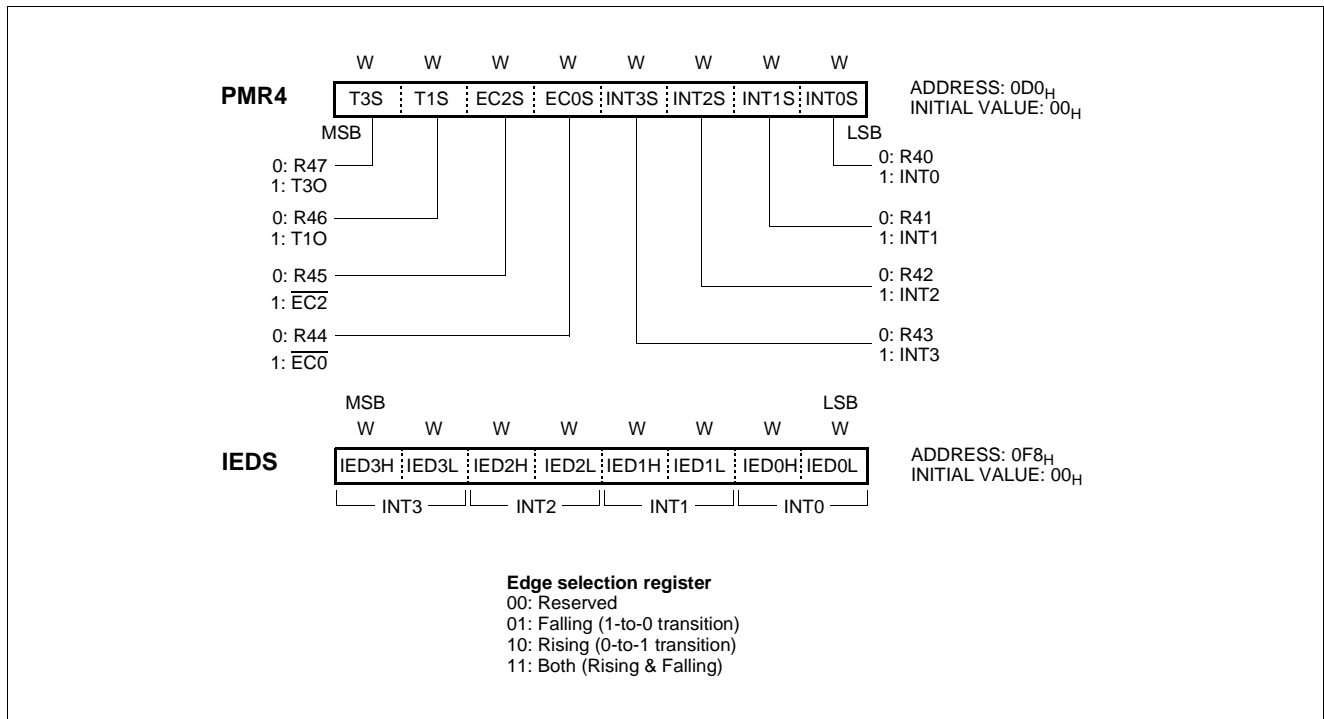


Figure 16-9 PMR4 and IEDS Registers

17. WATCHDOG TIMER

The watchdog timer rapidly detects the CPU malfunction such as endless looping caused by noise or the like, and resumes the CPU to the normal state. The watchdog timer signal for detecting malfunction can be selected either a reset CPU or a interrupt request.

When the watchdog timer is not being used for malfunction detection, it can be used as a timer to generate an interrupt at fixed intervals.

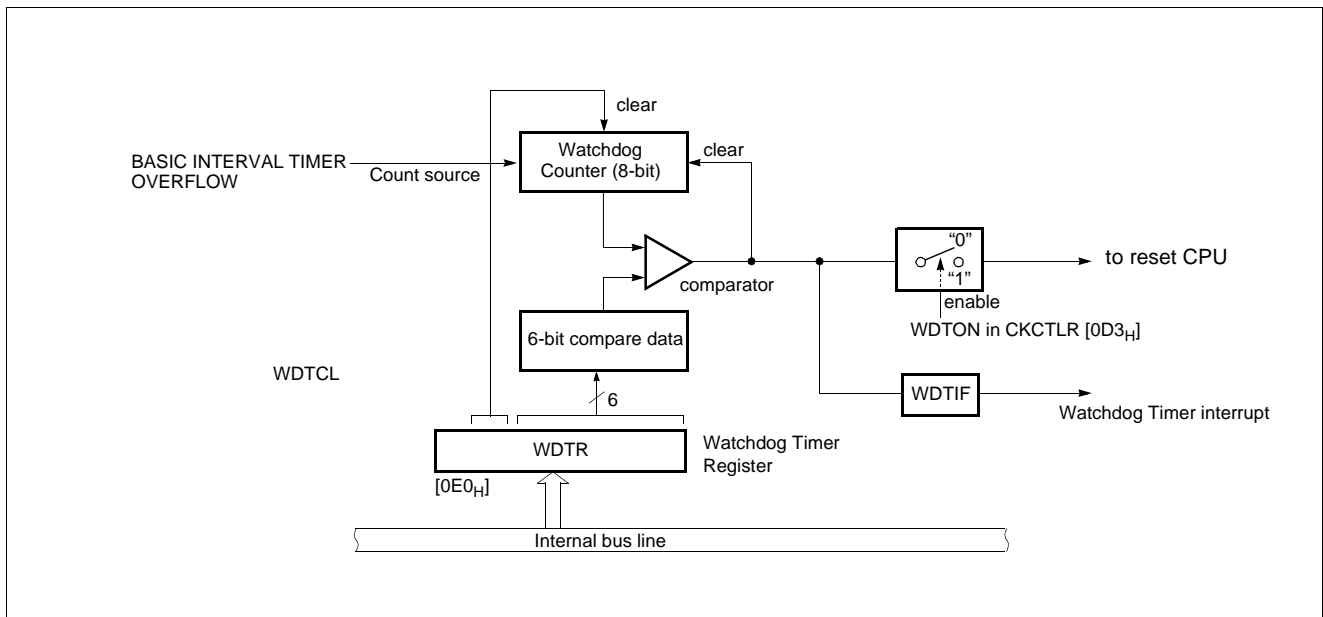


Figure 17-1 Block Diagram of Watchdog Timer

Watchdog Timer Control

Figure 17-2 shows the watchdog timer control register. The watchdog timer is automatically disabled after reset.

The CPU malfunction is detected during setting of the detection time, selecting of output, and clearing of the binary counter. Clearing the binary counter is repeated within the detection time.

If the malfunction occurs for any cause, the watchdog tim-

er output will become active at the rising overflow from the binary counters unless the binary counter is cleared. At this time, when $WDTON=1$, a reset is generated, which drives the \overline{RESET} pin to low to reset the internal hardware. When $WDTON=0$, a watchdog timer interrupt (WDTIF) is generated.

The watchdog timer temporarily stops counting in the STOP mode, and when the STOP mode is released, it automatically restarts (continues counting).

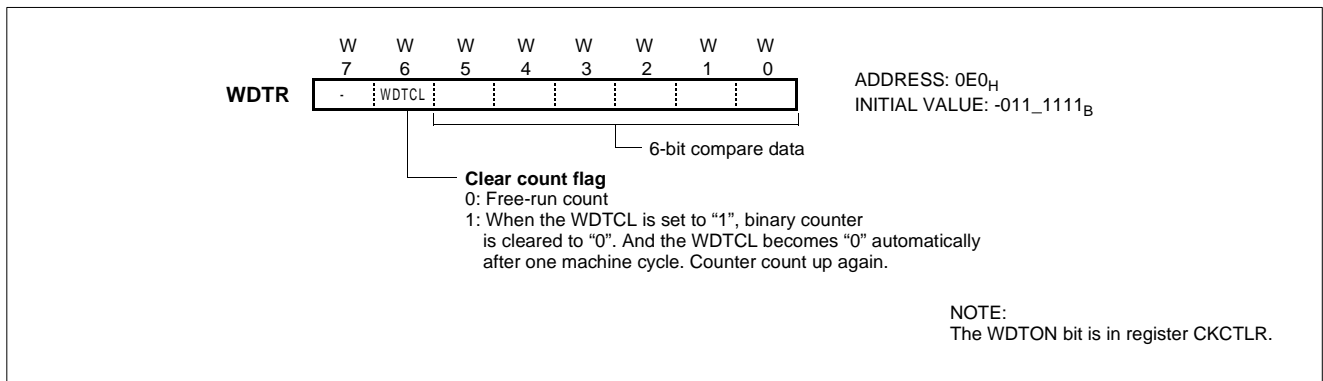


Figure 17-2 WDTR: Watchdog Timer Data Register

Example: Sets the watchdog timer detection time to 0.5 sec at 4.19MHz

```

LDM CKCTLR, #3FH ; Select 1/2048 clock source, WDTON ← 1, Clear Counter
LDM WDTR, #04FH

Within WDT detection time
┌ LDM WDTR, #04FH ; Clear counter
│ :
│ :
│ :
└ LDM WDTR, #04FH ; Clear counter

Within WDT detection time
┌ :
│ :
│ :
└ LDM WDTR, #04FH ; Clear counter
    
```

Enable and Disable Watchdog

Watchdog timer is enabled by setting WDTON (bit 5 in CKCTLR) to “1”. WDTON is initialized to “0” during reset and it should be set to “1” to operate after reset is released.

Example: Enables watchdog timer for Reset

```

:
LDM CKCTLR, #xx1x_xxxxB; WDTON ← 1
:
:
    
```

The watchdog timer is disabled by clearing bit 5 (WDTON) of CKCTLR. The watchdog timer is halted in STOP mode and restarts automatically after STOP mode is released.

Watchdog Timer Interrupt

The watchdog timer can be also used as a simple 6-bit timer by clearing bit5 of CKCTLR to “0”. The interval of watchdog timer interrupt is decided by Basic Interval Timer. Interval equation is shown as below.

$$T = WDTR \times Interval\ of\ BIT$$

The stack pointer (SP) should be initialized before using the watchdog timer output as an interrupt source.

Example: 6-bit timer interrupt set up.

```

LDM CKCTLR, #xx0xxxxxB; WDTON ← 0
LDM WDTR, #7FH ; WDTCL ← 1
:
    
```

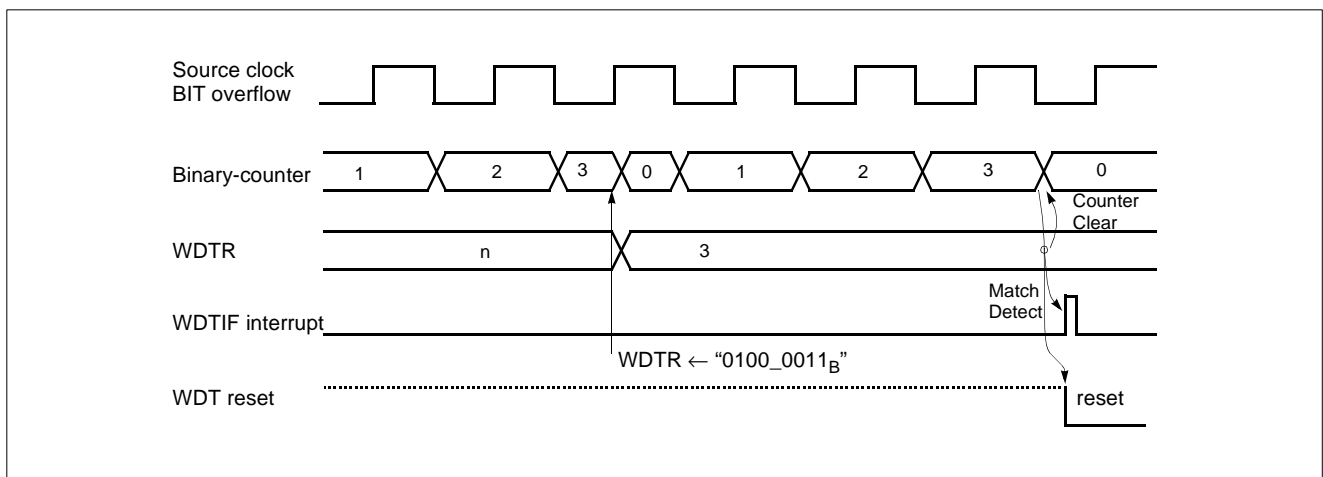


Figure 17-3 Watchdog timer Timing

If the watchdog timer output becomes active, a reset is generated, which drives the RESET pin low to reset the internal hardware.

The main clock oscillator also turns on when a watchdog timer reset is generated in sub clock mode.

18. POWER DOWN OPERATION

GMS815xxB has a power-down mode. In power-down mode, power consumption is reduced considerably that in battery operation. Battery life can be extended a lot.

18.1 STOP Mode

For applications where power consumption is a critical factor, device provides reduced power of STOP.

Start The Stop Operation

An instruction that STOP causes to be the last instruction is executed before going into the STOP mode. In the Stop mode, the on-chip main-frequency oscillator is stopped. With the clock frozen, all functions are stopped, but the on-chip RAM and Control registers are held. The port pins output the values held by their respective port data register, the port direction registers. The status of peripherals during Stop mode is shown below.

Peripheral	STOP Mode
CPU	All CPU operations are disabled
RAM	Retain
X _{IN} PIN	Low
X _{OUT} PIN	High
Oscillation	Stop
I/O ports	Retain
Control Registers	Retain
Release method	by RESET, by External interrupt

STOP Mode is entered by STOP instruction.

Note: Since the X_{IN} pin is connected internally to GND to avoid current leakage due to the crystal oscillator in STOP mode, do not use STOP instruction when an external clock is used as the main system clock.

In the Stop mode of operation, V_{DD} can be reduced to minimize power consumption. Be careful, however, that V_{DD} is not reduced before the Stop mode is invoked, and that V_{DD} is restored to its normal operating level before the Stop mode is terminated.

The reset should not be activated before V_{DD} is restored to its normal operating level, and must be held active long enough to allow the oscillator to restart and stabilize. And after STOP instruction, at least two or more NOP instruction should be written as shown in example below.

Example:

```
LDM    CKCTLR, #0000_1110B
STOP
NOP
NOP
:
```

The Interval Timer Register CKCTLR should be initialized (0F_H or 0E_H) by software in order that oscillation stabilization time should be longer than 20ms before STOP mode.

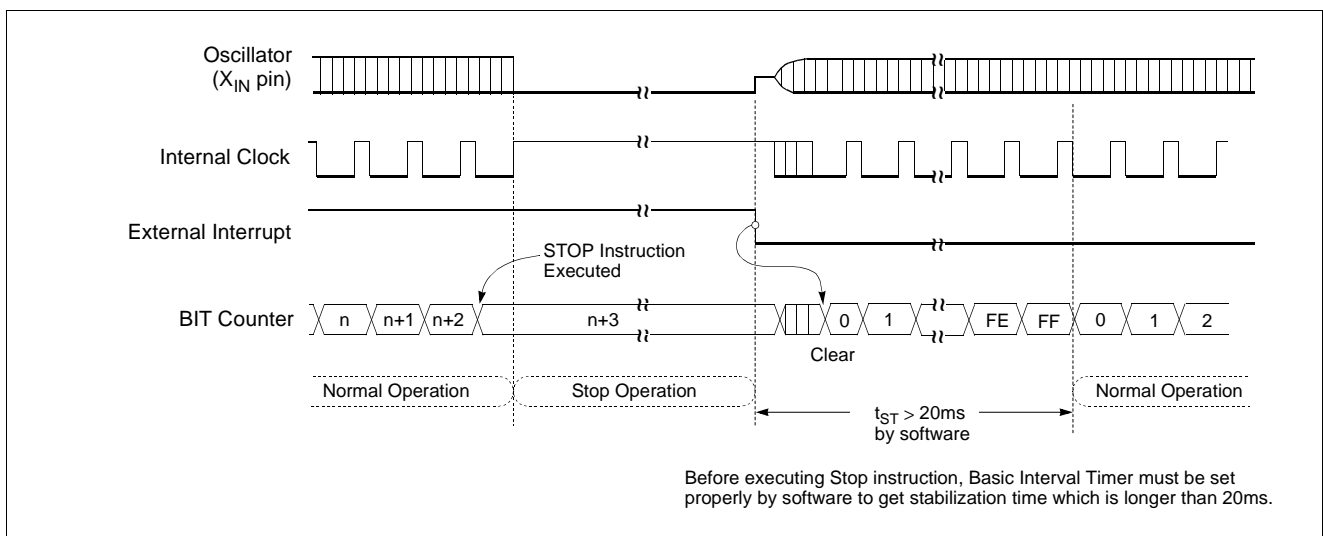


Figure 18-1 STOP Mode Release Timing by External Interrupt

Release the STOP mode

The exit from STOP mode is using hardware reset or external interrupt.

To release STOP mode, corresponding interrupt should be enabled before STOP mode.

Reset redefines all the control registers but does not change

the on-chip RAM. External interrupts allow both on-chip RAM and Control registers to retain their values.

Start-up is performed to acquire the time for stabilizing oscillation. During the start-up, the internal operations are all stopped.

Event	MCU Status before event	Chip function after event	
		PC	Oscillator Circuit
RESET	Don't care	Vector	on
STOP instruction	Normal operation	N + 1	off
External Interrupt	Normal operation	Vector	on
External Interrupt Wake up	STOP, I flag = 1	Vector	on
	STOP, I flag = 0	N + 1	on

Table 18-1 Wake-up and Reset Function Table

18.2 Minimizing Current Consumption

The Stop mode is designed to reduce power consumption. To minimize current drawn during Stop mode, the user should turn-off output drivers that are sourcing or sinking current, if it is practical.

Note: *In the STOP operation, the power dissipation associated with the oscillator and the internal hardware is lowered; however, the power dissipation associated with the pin interface (depending on the external circuitry and program) is not directly determined by the hardware operation of the STOP feature. This point should be little current flows when the input level is stable at the power voltage level (V_{DD}/V_{SS}); however, when the input level becomes higher than the power voltage level (by approximately 0.3V), a current begins to flow. Therefore, if cutting off the output transistor at an I/O port puts the pin signal into the high-impedance state, a current flow across the ports input transistor, requiring it to fix the level by pull-up or other means.*

It should be set properly in order that current flow through port doesn't exist.

First consider the setting to input mode. Be sure that there is no current flow after considering its relationship with external circuit. In input mode, the pin impedance viewing from external MCU is very high that the current doesn't flow.

But input voltage level should be V_{SS} or V_{DD} . Be careful that if unspecified voltage, i.e. if unfirmed voltage level (not V_{SS} or V_{DD}) is applied to input pin, there can be little current (max. 1mA at around 2V) flow.

If it is not appropriate to set as an input mode, then set to output mode considering there is no current flow. Setting to High or Low is decided considering its relationship with external circuit. For example, if there is external pull-up resistor then it is set to output mode, i.e. to High, and if there

is external pull-down register, it is set to low.

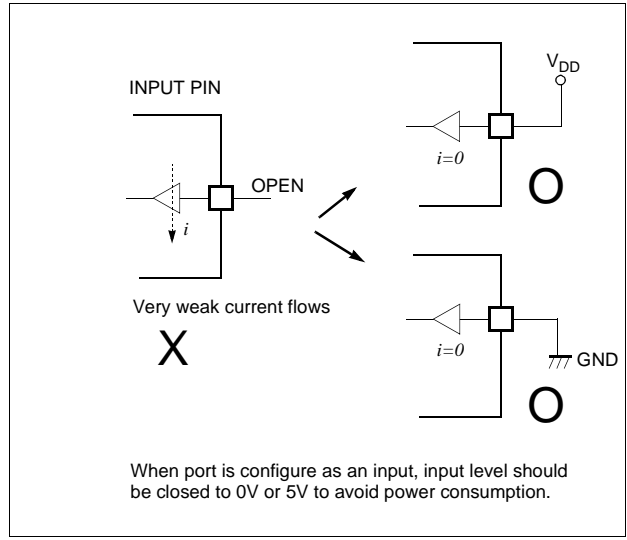
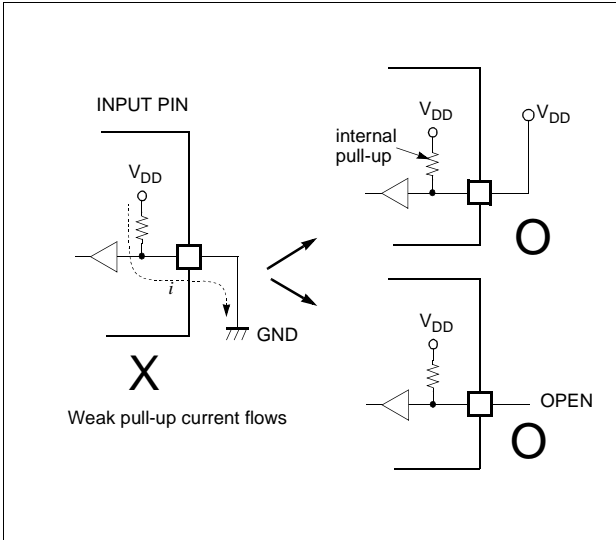


Figure 18-2 Application Example of Unused Input Port

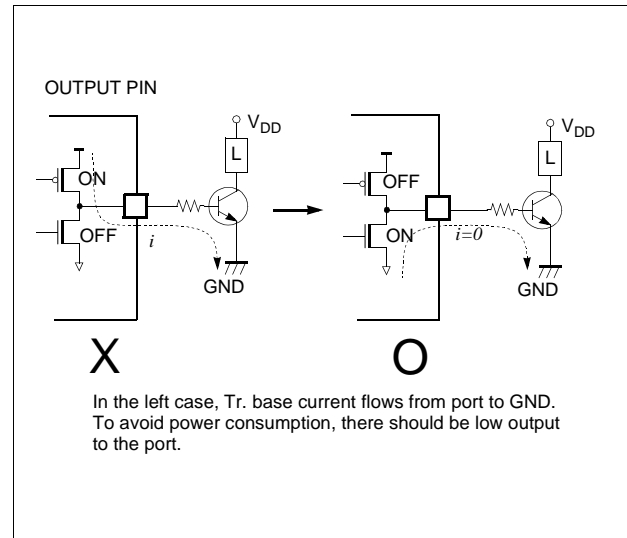
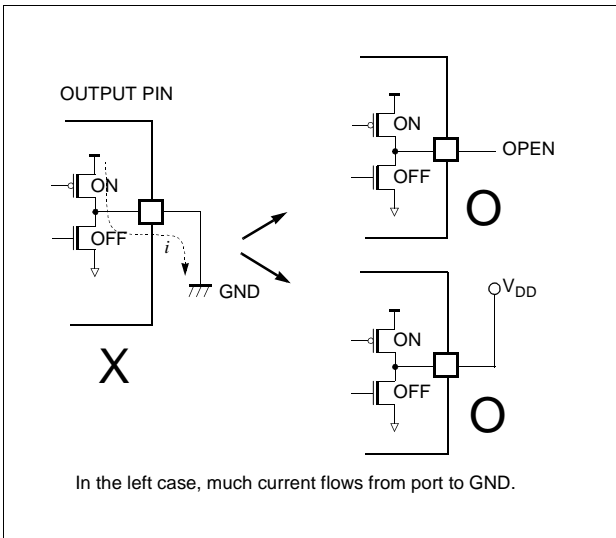


Figure 18-3 Application Example of Unused Output Port

19. OSCILLATOR CIRCUIT

The GMS815xxB has two oscillation circuits internally. X_{IN} and X_{OUT} are input and output for frequency, respec-

tively, inverting amplifier which can be configured for being used as an on-chip oscillator, as shown in Figure 19-1.

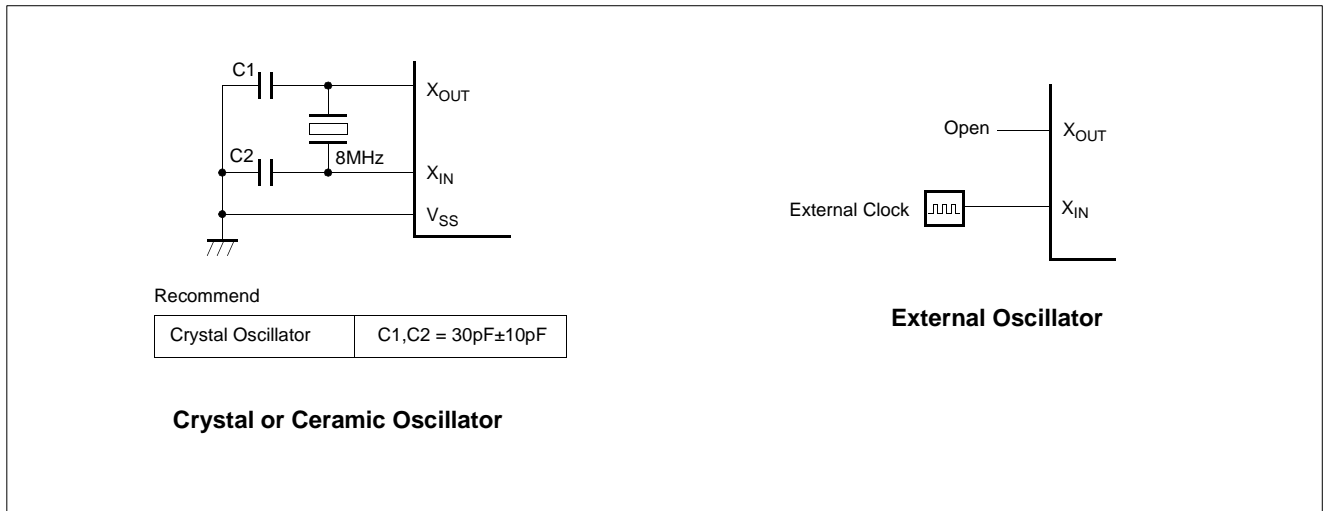


Figure 19-1 Oscillation Circuit

Oscillation circuit is designed to be used either with a ceramic resonator or crystal oscillator. Since each crystal and ceramic resonator have their own characteristics, the user should consult the crystal manufacturer for appropriate values of external components.

Oscillation circuit is designed to be used either with a ceramic resonator or crystal oscillator. Since each crystal and ceramic resonator have their own characteristics, the user should consult the crystal manufacturer for appropriate values of external components.

In addition, see Figure 19-2 for the layout of the crystal.

Note: Minimize the wiring length. Do not allow the wiring to intersect with other signal conductors. Do not allow the wiring to come near changing high current. Set the potential of the grounding position of the oscillator capacitor to that of V_{SS} . Do not ground it to any ground pattern where high current is present. Do not fetch signals from the oscillator.

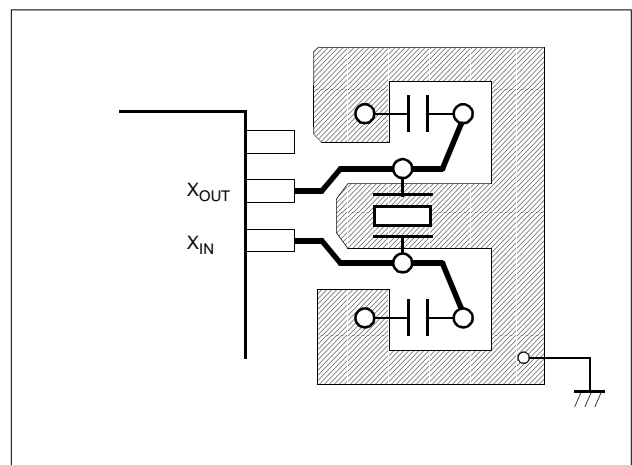


Figure 19-2 Layout of Oscillator PCB circuit

20. RESET

The GMS815xxB have two types of reset generation procedures; one is an external reset input, the other is a watch-

dog timer reset. Table 20-1 shows on-chip hardware initialization by reset action.

On-chip Hardware	Initial Value
Program counter (PC)	(FFFF _H) - (FFFE _H)
G-flag (G)	0
Peripheral clock	Off

On-chip Hardware	Initial Value
Watchdog timer	Disable
Control registers	Refer to Table 8-1 on page 25
Power fail detector	Disable

Table 20-1 Initializing Internal Status by Reset Action

20.1 External Reset Input

The reset input is the RESET pin, which is the input to a Schmitt Trigger. A reset is accomplished by holding the RESET pin low for at least 8 oscillator periods, within the operating voltage range and oscillation stable, it is applied, and the internal state is initialized. After reset, 64ms (at 4 MHz) add with 7 oscillator periods are required to start execution as shown in Figure 20-2.

Internal RAM is not affected by reset. When V_{DD} is turned on, the RAM content is indeterminate. Therefore, this RAM should be initialized before read or tested it.

When the RESET pin input goes to high, the reset operation is released and the program execution starts at the vector address stored at addresses FFFE_H - FFFF_H.

A connection for simple power-on-reset is shown in Figure 20-1.

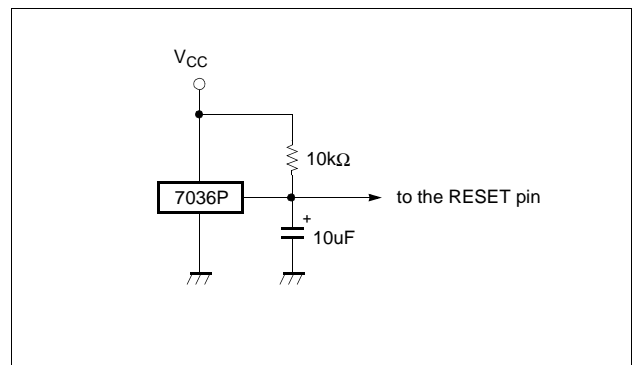


Figure 20-1 Simple Power-on-Reset Circuit

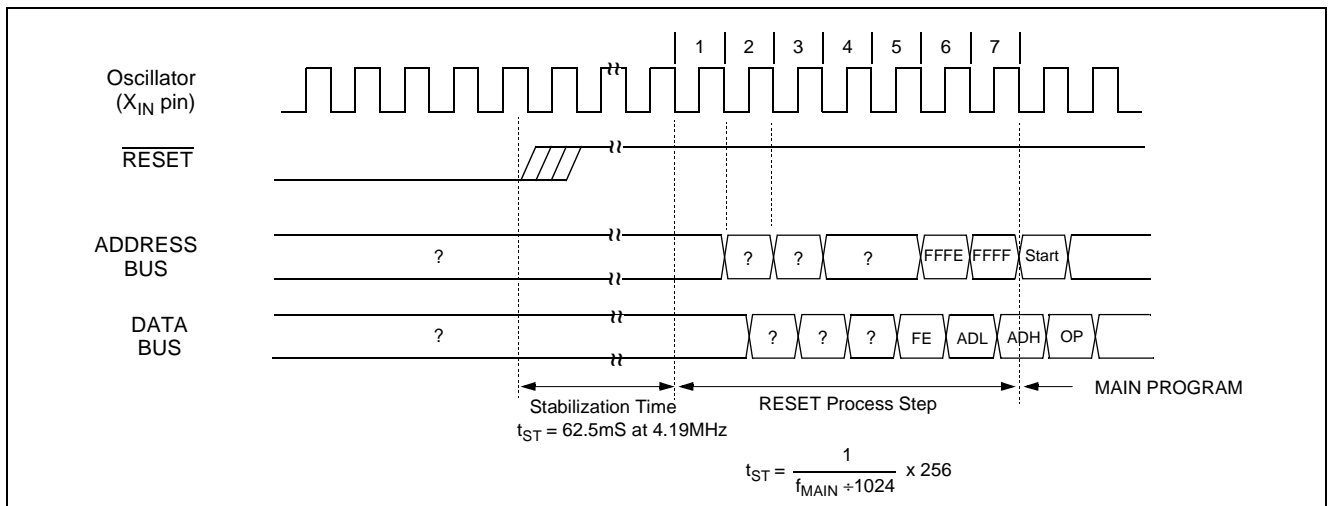


Figure 20-2 Timing Diagram after RESET

20.2 Watchdog Timer Reset

Refer to “17. WATCHDOG TIMER” on page 64.

21. POWER FAIL PROCESSOR

The GMS815xxB has an on-chip power fail detection circuitry to immunize against power noise. A configuration register, PFDR, can enable or disable the power fail detect circuitry. Whenever V_{DD} falls close to or below power fail voltage for 100ns, the power fail situation may reset or freeze MCU according to PFR bit of PFDR. Refer to “7.4 DC Electrical Characteristics” on page 13.

In the in-circuit emulator, power fail function is not implemented and user can not experiment with it. Therefore, after final development of user program, this function may be experimented or evaluated.

Note: User can select power fail voltage level according to PFV bit of PFDR at the OTP(GMS815xxBT) but must select the power fail voltage level to define PFD option of “Mask Order & Verification Sheet” at the mask chip(GMS815xxB). Because the power fail voltage level of mask chip (GMS815xxB) is determined according to mask option regardless of PFV bit of PFDR

Note: If power fail voltage is selected to 3.0V on 3V operation, MCU is freezed at all the times.

Power FailFunction	OTP	MASK
Enable/Disable	by PFD flag	by PFD flag
Level Selection	by PFV flag	by mask option

Table 21-1 Power fail processor

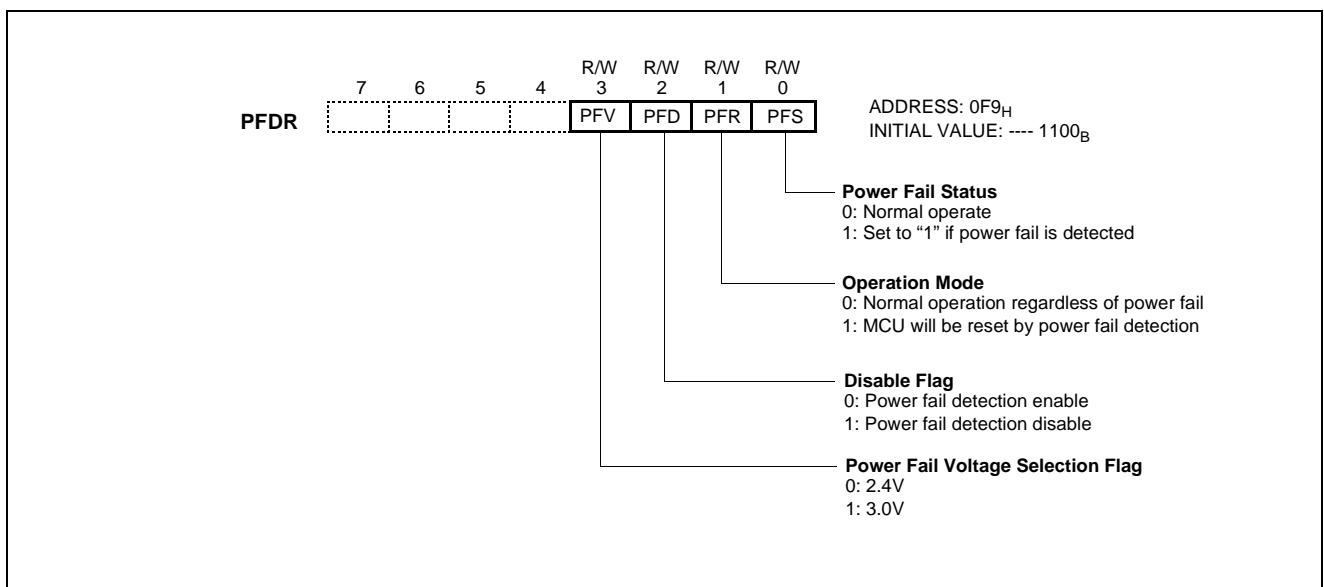


Figure 21-1 Power Fail Voltage Detector Register

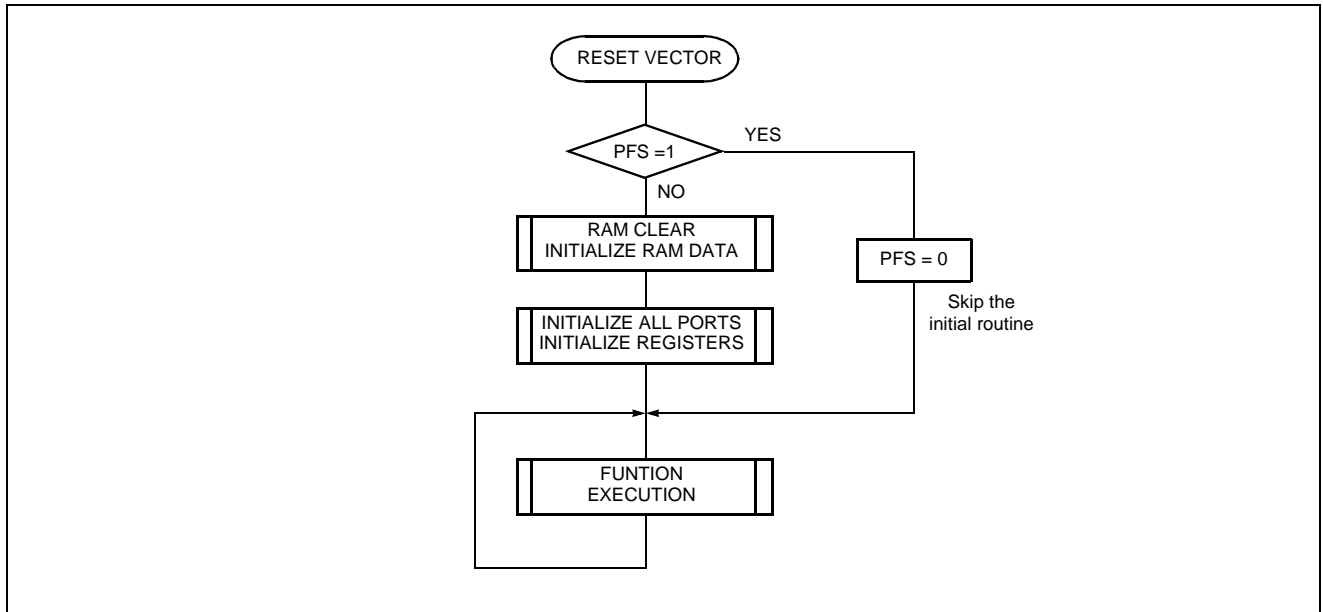


Figure 21-2 Example SW of RESET flow by Power fail

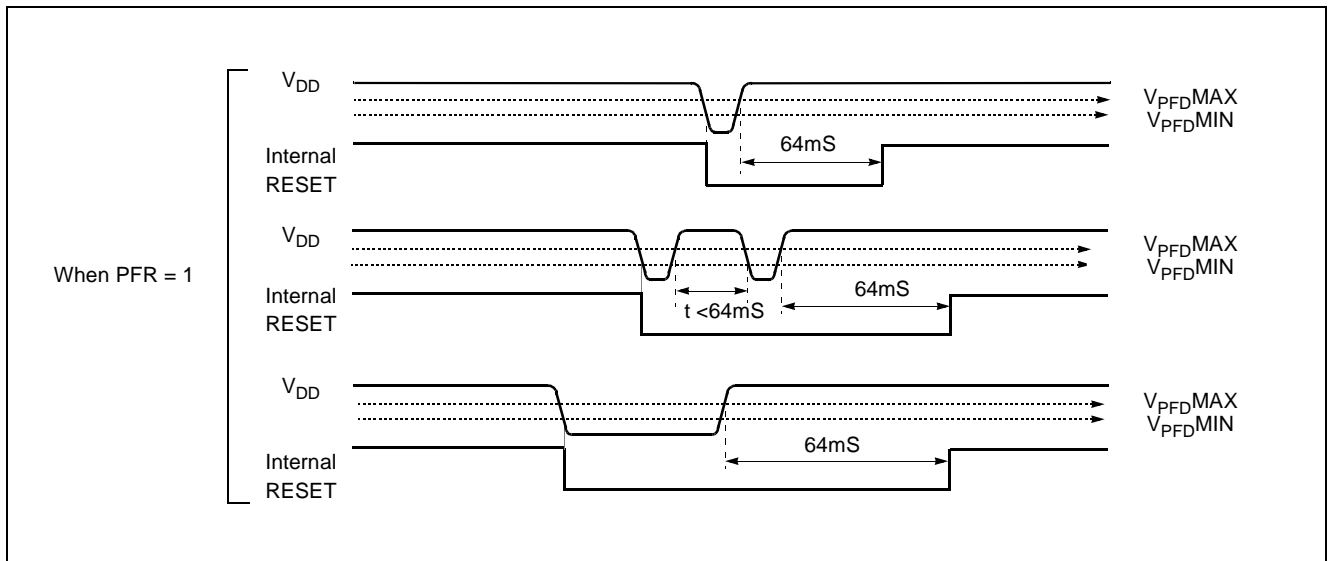


Figure 21-3 Power Fail Processor Situations

22. OTP PROGRAMMING

The GMS81516BT/24BT are OTP (One Time Programmable) microcontrollers. Its internal user memory is constructed with EPROM (Electrically Programmable Read Only Memory).

The OTP microcontroller is generally used for chip evaluation, first production, small amount production, fast mass production, etc.

Blank OTP's internal EPROM is filled by 00_H, not FF_H.

Note: In any case, you have to use *.OTP file, not *.HEX file. After assemble, both OTP and HEX file are generated by automatically. The HEX file is used during program emulation on emulator.

22.1 How to Program

To program the OTP devices, user can use HME own programmer or third party universal programmer shown as listed below.

HME own programmer list

Manufacturer: Hyundai MicroElectronics

Programmer: **Choice-Dr Writer**

Choice-Sigma, Choice-Gang4

The Choice-Dr Writer is single writer and physically add-on adapter board type, it should be used with Choice-Dr emulator. However, the Choice-Sigma is stand alone HME universal single programmer for any HME OTP devices, also the Choice-Gang4 can program four OTPs at once.

Ask to HME sales part which is listed on appendix of this manual.

Third party programmer list

Manufacturer: Hi-Lo Systems

Programmer: **ALL-11, ALL-07**

Website : <http://www.hilosystems.com.tw>

Socket adapters are supported by third party programmer's manufacturer. The other third party will be registered and being under development.

Programming Procedure

1. Select device GMS81516BT or GMS81524BT.
2. Load the *.OTP file to the programmer. The file is com-

posed of Motorola-S1 format.

3. Set the programming address range as below table.

GMS81516BT

Address	Set Value
Bufferstart address	4000H
Buffer end address	7FFFH
Device start address	C000H

GMS81524BT

Address	Set Value
Bufferstart address	2000H
Buffer end address	7FFFH
Device start address	A000H

4. Mount the socket adapter on the programmer.
5. Start program/verify.

22.2 Pin Function

V_{PP} (Program Voltage)

V_{PP} is the input for the program voltage for programming the EPROM.

$\overline{\text{CE}}$ (Chip Enable)

CE is the input for programming and verifying internal EPROM.

$\overline{\text{OE}}$ (Output Enable)

OE is the input of data output control signal for verify.

A0~A15 (Address Bus)

A0~A15 are address input pins for internal EPROM.

O0~O7 (EPROM Data Bus)

These are data bus for internal EPROM.

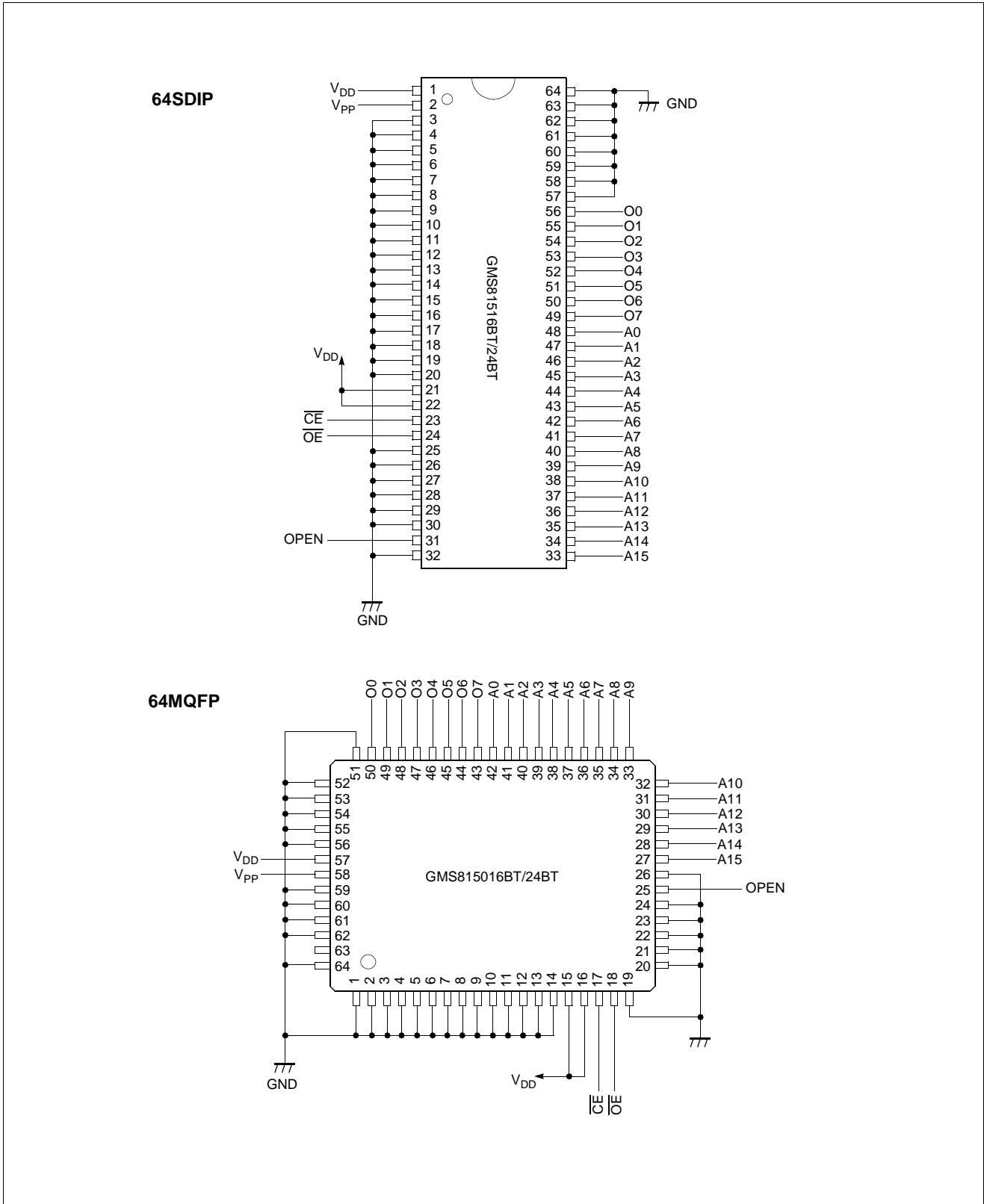
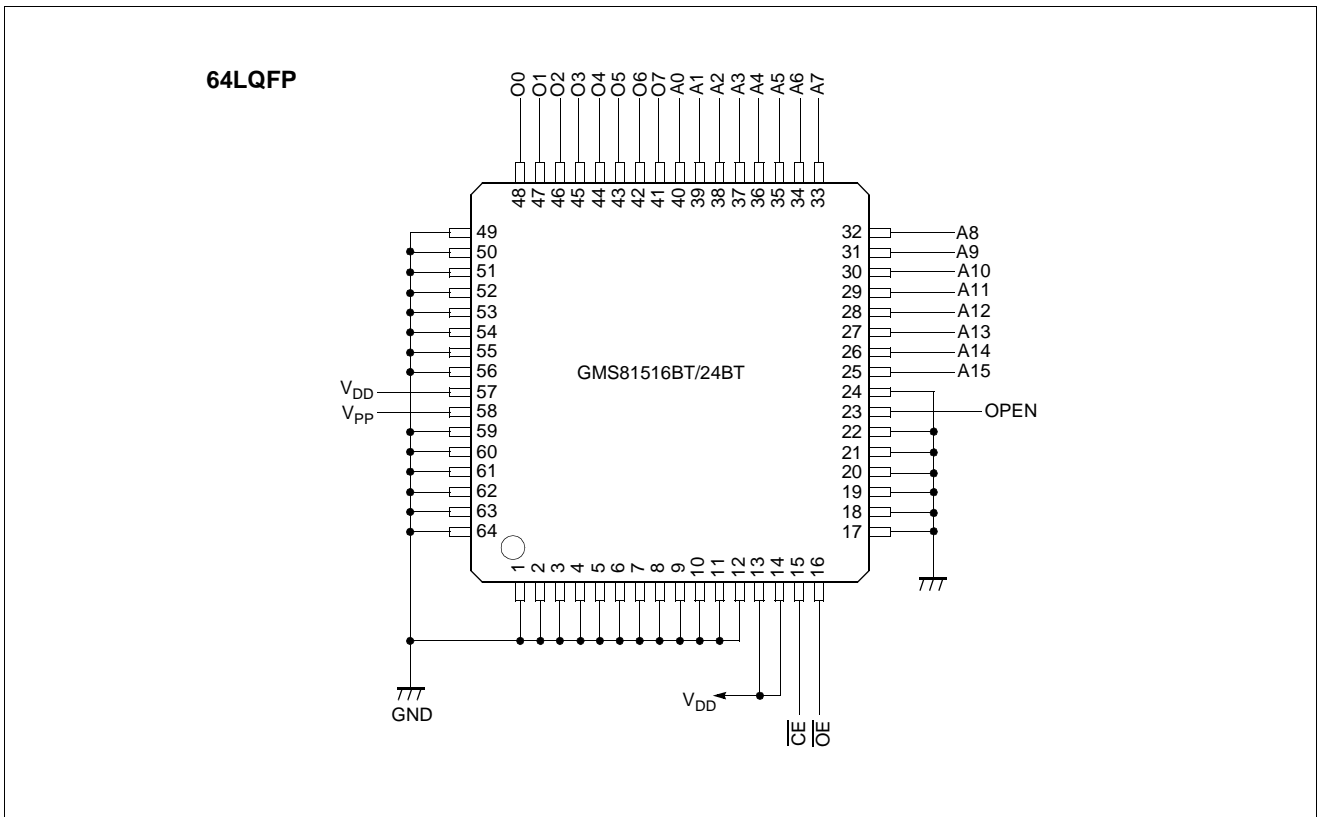




Table 22-1 Socket Adapter Pin Assignment



22.3 Programming Specification

DEVICE OPERATION MODE

($T_A = 25^\circ\text{C} \pm 5^\circ\text{C}$)

Mode	$\overline{\text{CE}}$	$\overline{\text{OE}}$	A0~A15	V_{PP}	V_{DD}	O0~O7
Read Mode	X ¹		X ¹	V_{DD}^2	5.0V	DOUT
Output Disable Mode	V_{IH}	V_{IH}	X ¹	V_{DD}^2	5.0V	Hi-Z
Programming Mode	V_{IL}	V_{IH}	X ¹	V_{PP}^2	V_{DD}^2	DIN
Program Verify	X ¹		X ¹	V_{PP}^2	V_{DD}^2	DOUT

1. X = Either V_{IL} or V_{IH} .

2. See DC Characteristics Table for V_{DD} and V_{PP} voltage during programming.

DEVICE CHARACTERISTICS

($V_{SS}=0\text{V}$, $T_A = 25^\circ\text{C} \pm 5^\circ\text{C}$)

Symbol	Item	Min	Typ	Max	Unit	Test condition
V_{PP}	Quick Pulse Programming	11.50	11.75	12.0	V	
V_{DD}^1	Quick Pulse Programming	5.75	6.0	6.25	V	
I_{PP}^2	V_{PP} supply current			50	mA	$\overline{\text{CE}}=V_{IL}$
I_{DD}^2	V_{DD} supply current			30	mA	
V_{IH}	Input high voltage	$0.8V_{DD}$			V	
V_{IL}	Input low voltage			$0.2V_{DD}$	V	
V_{OH}	Output high voltage	$V_{DD}-0.1$			V	$I_{OH} = -2.5\text{mA}$
V_{OL}	Output low voltage			0.4	V	$I_{OL} = 2.1\text{mA}$
I_{IL}	Input leakage current			5	μA	

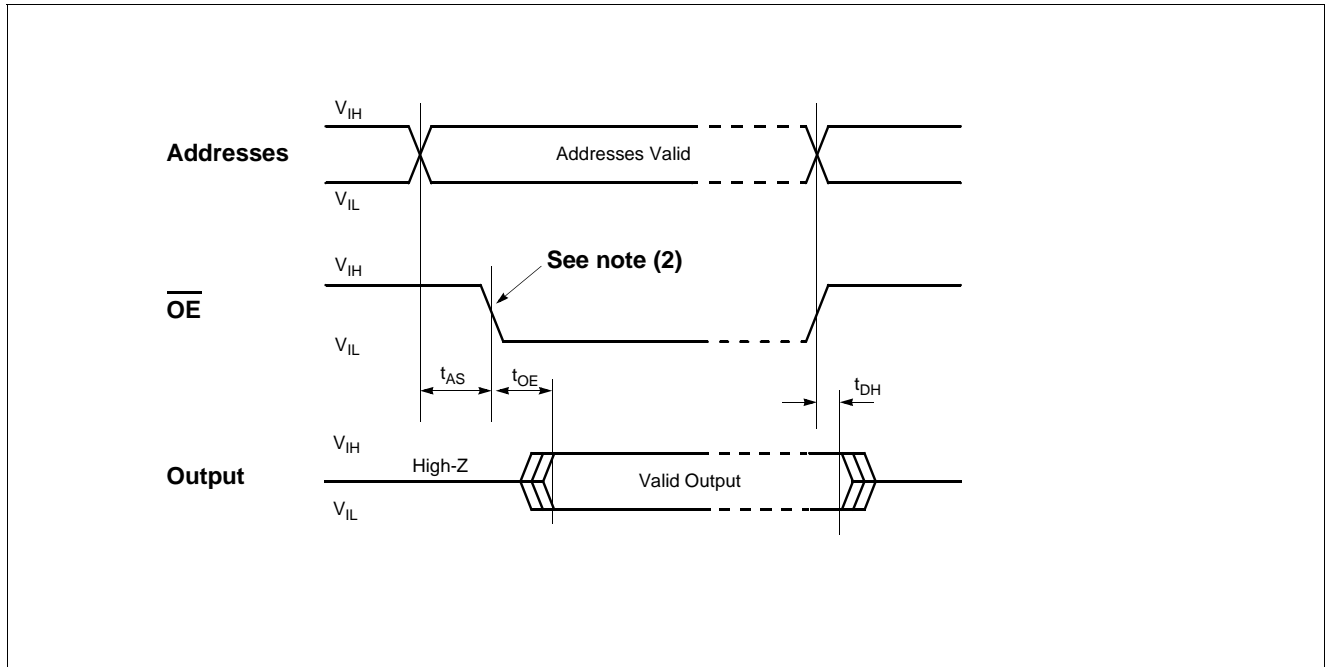
1. V_{DD} must be applied simultaneously or before V_{PP} and removed simultaneously or after V_{PP} .

2. The maximum current value is with outputs O0 to O7 unloaded.

SWITCHING WAVEFORMS

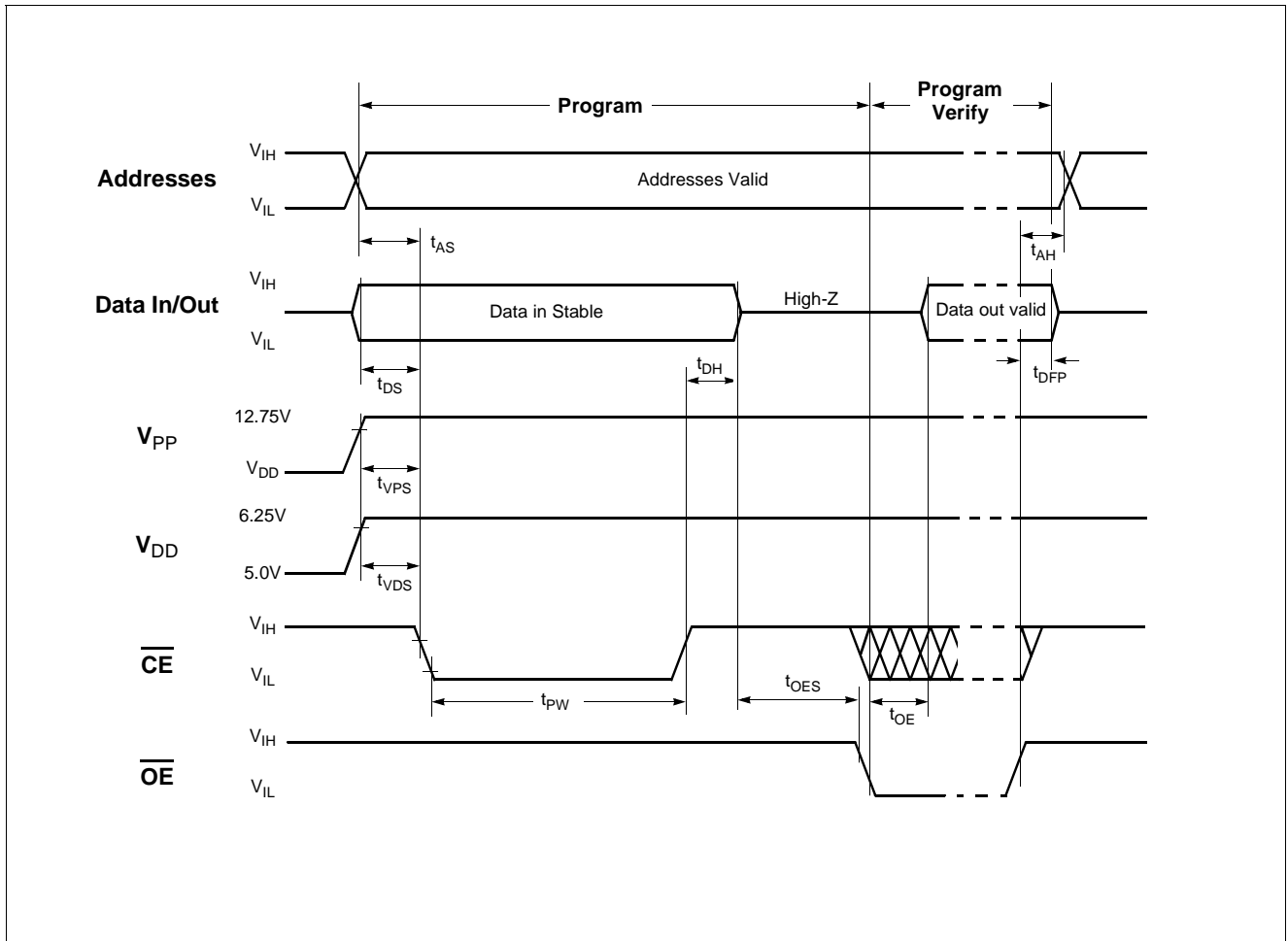
WAVEFORM	INPUTS	OUTPUTS
	Must be steady	Will be steady
	May change from H to L	Will be changing from H to L
	May change from L to H	Will be changing from L to H
	Do not care any change permitted	Changing state unknown
	Does not apply	Center line is high impedance "Off" state

READING WAVEFORMS



1. The input timing reference level is 1.0V for a V_{IL} and 4.0V for a V_{IH} at $V_{DD}=5.0V$.
2. To read the output data, transition requires on the \overline{OE} form the high to the low after address setup time t_{AS} .

PROGRAMMING ALGORITHM WAVEFORMS



1. The input timing reference level is 1.0V for a V_{IL} and 4.0V for a V_{IH} at $V_{DD}=5.0V$.

AC READING CHARACTERISTICS

($V_{SS}=0V$, $T_A = 25^{\circ}C \pm 5^{\circ}C$)

Symbol	Item	Min	Typ	Max	Unit	Test condition
t_{AS}	Address setup time	2			μs	
t_{OE}	Quick Pulse Programming			200	ns	
t_{DH}	V_{PP} supply current	0		50	ns	

Note: V_{DD} must be applied simultaneously or before V_{PP} and removed simultaneously or after V_{PP} .

AC PROGRAMMING CHARACTERISTICS

($V_{SS}=0V$, $T_A = 25^{\circ}C \pm 5^{\circ}C$)

Symbol	Item	Min	Typ	Max	Unit	Test condition*
t_{AS}	Address setup time	2			μs	
t_{OES}	\overline{OE} setup time	2			μs	
t_{DS}	Data setup time	2			μs	
t_{AH}	Address hold time	0			μs	
t_{DH}	Data hold time	2			μs	
t_{DFP}	Output delay disable time	0		130	ns	
t_{VPS}	V_{PP} setup time	2			μs	
t_{VDS}	V_{DD} setup time	2			μs	
t_{PW}	Program pulse width	95	100	105	μs	
t_{OE}	Data output delay time			150	ns	

* AC CONDITION OF TEST

Input Rise and Fall Times (10% to 90%) 20ns
 Input Pulse Levels 0.45V to 4.55V
 Input Timing Reference Level 1.0V to 4.0V
 Output Timing Reference Level 1.0V to 4.0V

V_{DD} must be applied simultaneously or before V_{PP} and removed simultaneously or after V_{PP} .

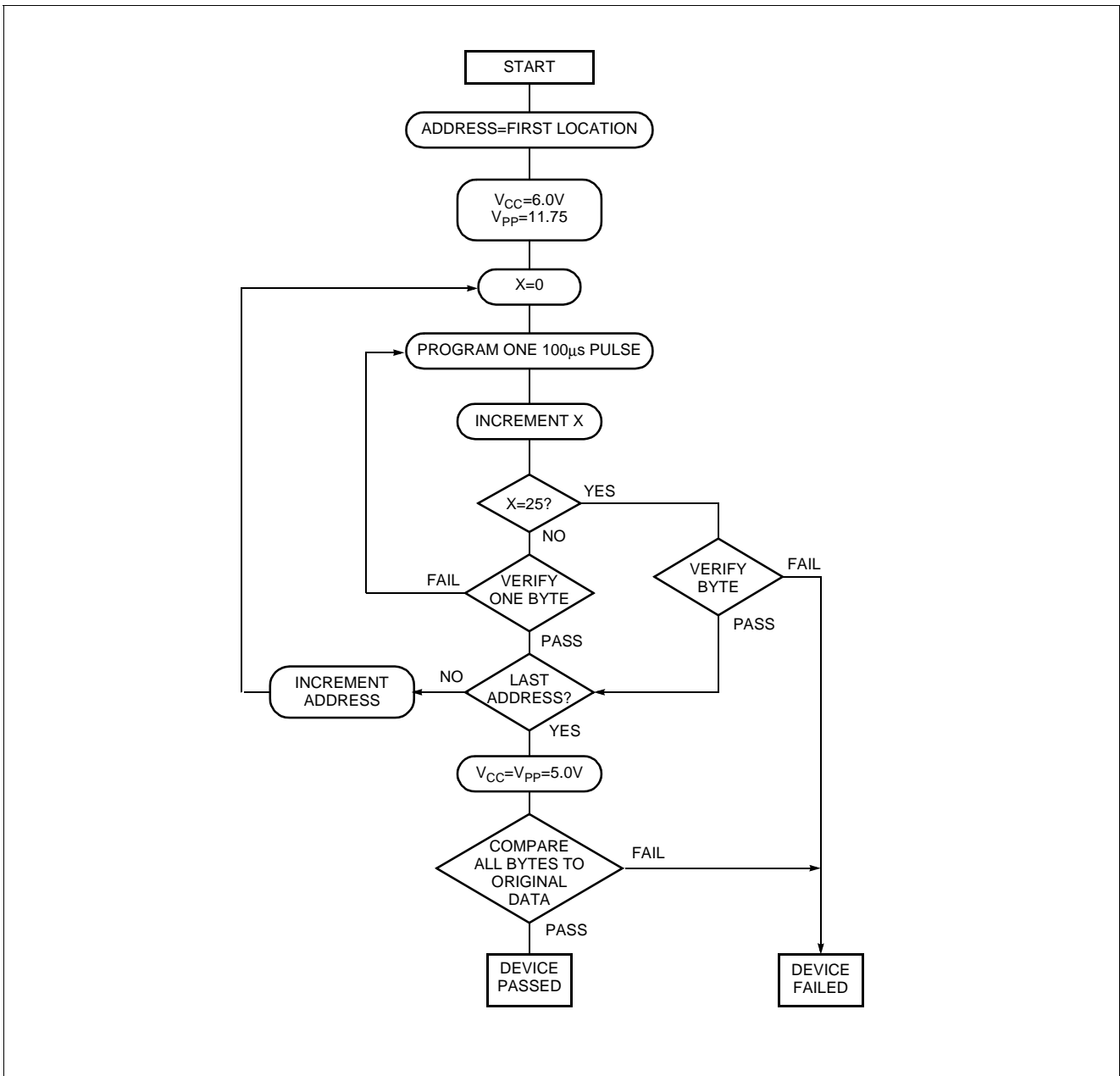


Table 22-1 Programming Algorithm

APPENDIX

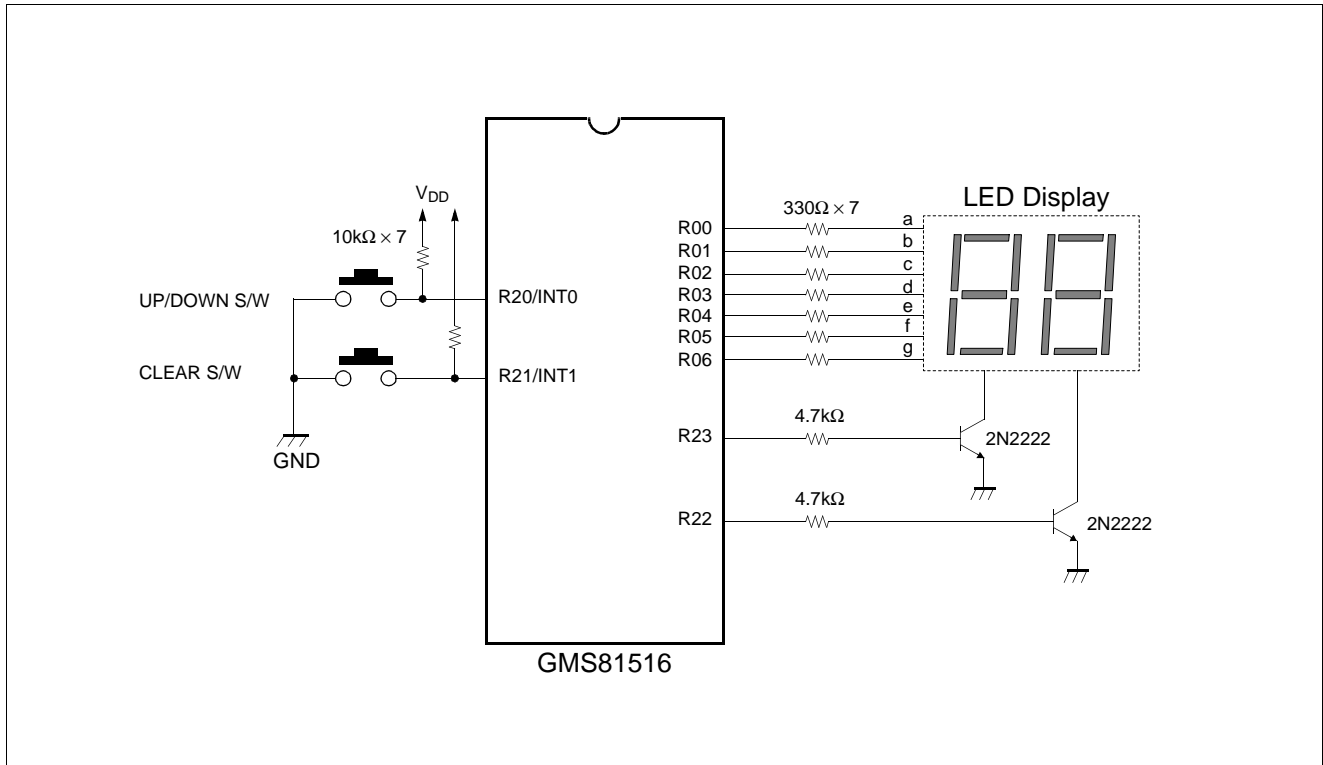
A. CONTROL REGISTER LIST

Address	Register Name	Symbol	R/W	Initial Value								Page	
				7	6	5	4	3	2	1	0		
00C0	R0 port data register	R0	R/W	Undefined								31	
00C1	R0 port I/O direction register	R0DD	W	0	0	0	0	0	0	0	0	0	31
00C2	R1 port data register	R1	R/W	Undefined								31	
00C3	R1 port I/O direction register	R1DD	W	0	0	0	0	0	0	0	0	0	31
00C4	R2 port data register	R2	R/W	Undefined								31	
00C5	R2 port I/O direction register	R2DD	W	0	0	0	0	0	0	0	0	0	31
00C6	R3 port data register	R3	R/W	Undefined								32	
00C7	R3 port I/O direction register	R3DD	W	0	0	0	0	0	0	0	0	0	32
00C8	R4 port data register	R4	R/W	Undefined								32	
00C9	R4 port I/O direction register	R4DD	W	0	0	0	0	0	0	0	0	0	32
00CA	R5 port data register	R5	R/W	Undefined								33	
00CB	R5 port I/O direction register	R5DD	W	0	0	0	0	0	0	0	0	0	33
00CC	R6 port data register	R6	R/W	Undefined								33	
00CD	R6 port I/O direction register	R6DD	W	0	0	0	0	-	-	-	-	-	33
00D0	R4 port mode register	PMR4	W	0	0	0	0	0	0	0	0	0	32, 63
00D1	R5 port mode register	PMR5	W	-	-	0	0	-	-	-	-	-	33, 55
00D3	Basic interval timer mode register	BITR	R	Undefined								35	
	Clock control register	CKCTLR	W	-	-	0	1	0	1	1	1	1	35
00E0	Watchdog Timer Register	WDTR	W	-	0	1	1	1	1	1	1	1	64
00E2	Timer mode register 0	TM0	R/W	0	0	0	0	0	0	0	0	0	37
00E3	Timer mode register 2	TM2	R/W	0	0	0	0	0	0	0	0	0	37
00E4	Timer 0 data register	TDR0	W	Undefined								37	
	Timer 0 counter register	T0	R	Undefined								37	
00E5	Timer 1 data register	TDR1	W	Undefined								37	
	Timer 1 counter register	T1	R	Undefined								37	
00E6	Timer 2 data register	TDR2	W	Undefined								37	
	Timer 2 counter register	T2	R	Undefined								37	
00E7	Timer 3 data register	TDR3	W	Undefined								37	
	Timer 3 counter register	T3	R	Undefined								37	
00E8	A/D converter mode register	ADCM	R/W	-	-	0	0	0	0	0	0	1	47
00E9	A/D converter data register	ADR	R	Undefined								47	
00EA	Serial I/O mode register	SIOM	R/W	-	0	0	0	0	0	0	0	1	49
00EB	Serial I/O register	SIOR	R/W	Undefined								49	
00EC	Buzzer driver register	BUR	W	Undefined								55	
00F0	PWM0 duty register	PWMR0	W	Undefined								53	
00F1	PWM1 duty register	PWMR1	W	Undefined								53	

Address	Register Name	Symbol	R/W	Initial Value								Page		
				7	6	5	4	3	2	1	0			
00F2	PWM control register	PWMCR	W	0	0	0	0	0	0	0	0	0	0	53
00F4	Interrupt enable register low	IENL	R/W	0	0	0	0	-	-	-	-	-	-	58
00F5	Interrupt request flag register low	IRQL	R/W	0	0	0	0	-	-	-	-	-	-	57
00F6	Interrupt enable register high	IENH	R/W	0	0	0	0	0	0	0	0	0	0	58
00F7	Interrupt request flag register high	IRQH	R/W	0	0	0	0	0	0	0	0	0	0	57
00F8	External interrupt edge selection register	IEDS	W	0	0	0	0	0	0	0	0	0	0	63
00F9	Power fail detection register	PFDR	R/W	-	-	-	-	1	1	0	0	0	0	71

B. SOFTWARE EXAMPLE

B.1 7-segment LED display



```

;*****
; Title:          GMS81516 (GMS800 Series) Demonstration Program          *
; Company:       HYUNDAI Micro Electronics                               *
; Contents:      Decimal Up/Down Counter                                  *
; Programmer:    HME MCU application team                                *
;*****
;
;*****  DEFINE  I/O PORT & FUNCTION  REGISTER ADDRESS  *****
;
R0      EQU      0C0H          ;port R0 register
R0DD    EQU      0C1H          ;port R0 data I/O direction register
;
R1      EQU      0C2H          ;port R1 register
R1DD    EQU      0C3H          ;port R1 data I/O direction register
;
R2      EQU      0C4H          ;port R2 register
R2DD    EQU      0C5H          ;port R2 data I/O direction register
;
R3      EQU      0C6H          ;port R3 register
R3DD    EQU      0C7H          ;port R3 data I/O direction register
;
R4      EQU      0C8H          ;port R4 register
R4DD    EQU      0C9H          ;port R4 data I/O direction register
;
R5      EQU      0CAH          ;port R5 register
R5DD    EQU      0CBH          ;port R5 data I/O direction register
;
R6      EQU      0CCH          ;port R6 register
R6DD    EQU      0CDH          ;port R6 data I/O direction register
;
PMR4    EQU      0D0H          ;port R4 mode register
T3S     EQU      7,0D0H        ;timer3 selection
    
```

```

T1S      EQU      6,0D0H      ;timer1 selection
EC2S     EQU      5,0D0H      ;event counter 2 selection
EC0S     EQU      4,0D0H      ;event counter 0 selection
INT3S    EQU      3,0D0H      ;external int.3 selection
INT2S    EQU      2,0D0H      ;external int.2 selection
INT1S    EQU      1,0D0H      ;external int.1 selection
INT0S    EQU      0,0D0H      ;external int.0 selection
;
PMR5     EQU      0D1H        ;port R5 mode register
BUZS     EQU      5,0D1H      ;buzzer selection
WDTS     EQU      4,0D1H      ;watch dog timer selection
;
TMR      EQU      0D2H        ;test mode register
;
CKCTLR   EQU      0D3H        ;clock control register
BITR     EQU      0D3H        ;basic interval timer register
;
;WDTR     EQU      0E0H        ;watch dog timer register
;
TM0      EQU      0E2H        ;timer0 mode register
TM2      EQU      0E3H        ;timer2 mode register
;
TDR0     EQU      0E4H        ;tomer0 data register
TDR1     EQU      0E5H        ;tomer1 data register
TDR2     EQU      0E6H        ;tomer2 data register
TDR3     EQU      0E7H        ;tomer3 data register
;
ADCM     EQU      0E8H        ;A/D Converter mode register
ADR      EQU      0E9H        ;A/D con. register
;
SIOM     EQU      0EAH        ;serial I/O mode register
;SIOR     EQU      0EBH        ;serial I/O register
;
BUR      EQU      0ECH        ;buzzer data register
;
PWMR0    EQU      0F0H        ;PWM0 data register
PWMR1    EQU      0F1H        ;PWM1 data register
;
PWMCR    EQU      0F2H        ;PWM control register
;
IMOD     EQU      0F3H        ;interrupt mode register
IENL     EQU      0F4H        ;int. enable register low
AE       EQU      7,0F4H      ;A/D con. int. enable
WDTE     EQU      6,0F4H      ;W.D.T. int. enable
BITE     EQU      5,0F4H      ;B.I.T. int. enable
SE       EQU      4,0F4H      ;serial I/O int. enable
;
IRQL     EQU      0F5H        ;int. request flag register low
AR       EQU      7,0F5H      ;A/D con. int. request flag
WDTRF    EQU      6,0F5H      ;W.D.T. int. request flag
BITRF    EQU      5,0F5H      ;B.I.T. int. request flag
SR       EQU      4,0F5H      ;serial I/O int. request flag
;
IENH     EQU      0F6H        ;int. enable register high
INT0E    EQU      7,0F6H      ;external int.0 enable
INT1E    EQU      6,0F6H      ;external int.1 enable
INT2E    EQU      5,0F6H      ;external int.2 enable
INT3E    EQU      4,0F6H      ;external int.3 enable
T0E     EQU      3,0F6H      ;timer0 int. enable
T1E     EQU      2,0F6H      ;timer1 int. enable
T2E     EQU      1,0F6H      ;timer2 int. enable
T3E     EQU      0,0F6H      ;timer3 int. enable
;
IRQH     EQU      0F7H        ;int. request flag register high
INT0R    EQU      7,0F7H      ;external int.0 request flag
INT1R    EQU      6,0F7H      ;external int.1 request flag
INT2R    EQU      5,0F7H      ;external int.2 request flag
INT3R    EQU      4,0F7H      ;external int.3 request flag
T0R     EQU      3,0F7H      ;timer0 int. request flag
T1R     EQU      2,0F7H      ;timer1 int. request flag
T2R     EQU      1,0F7H      ;timer2 int. request flag
T3R     EQU      0,0F7H      ;timer3 int. request flag
;
IEDS     EQU      0F8H        ;external int. edge selection
;
;***** MACRO DEFINITION *****
;
REG_SAVE MACRO                ;Save Registers to Stacks
        PUSH    A
        PUSH    X

```



```

        PUSH        Y
        ENDM
;
REG_RESTORE MACRO                ;Restore Register from Stacks
        POP        Y
        POP        X
        POP        A
        ENDM

;
;***** CONSTANT DEFINITION *****
;
SEG_PORT EQU R0                ;7-Segment Output Port
STROBE_PORT EQU R2            ;Strobe Signal Port
;
;*****
;          RAM ALLOCATION
;*****
DIGIT10 DS 1                ;DIG10 Display Data
DIGIT1 DS 1                ;Seg1 Display Data
STROBE DS 1                ;Strobe Signal Data
TMR_500ms DS 1            ;500ms Time Counter
FLAGS DS 1                ;Function Flags
UP_F EQU 0,FLAGS            ;1=Down,0=Up
F_500ms EQU 1,FLAGS        ;
;
;*****
;          INTERRUPT VECTOR TABLE *
;*****
;
        ORG0FFE4H
        DW        NOT_USED        ; Serial I/O
        DW        NOT_USED        ; Basic Interval Timer
        DW        NOT_USED        ; Watch Dog Timer
        DW        NOT_USED        ; A/D CON.
        DW        NOT_USED        ; Timer-3
        DW        NOT_USED        ; Timer-2
        DW        NOT_USED        ; Timer-1
        DW        TMR0_INT        ; Timer-0
        DW        NOT_USED        ; Int.3
        DW        NOT_USED        ; Int.2
        DW        INT_1            ; Int.1
        DW        INT_0            ; Int.0
        DW        NOT_USED        ;
        DW        RESET            ; Reset
;
;*****
;          MAIN PROGRAM *
;*****
;
        ORG        0C000H        ;Program Start Address
;
RESET:   DI                ;Disable All Interrupts
        LDX        #0
RAM_CLR: LDA #0                ;RAM Clear(!0000H->!00BFH)
        STA        {X}+        ;M(X) <- A, then X <- X+1
        CMPX        #0C0H        ;X = #0C0H ?
        BNE        RAM_CLR
        ;
        LDX        #0FEH        ;Stack Pointer Initial
        TXSP                ;SP. <- #0FEH

        LDM        R0,#0        ;I/O Port Data Clear
        LDM        R2,#0

        LDM        R0DD,#0FFH    ;7-Seg. Data Output Mode
        LDM        R2DD,#00FH    ;7-Seg. Strobe Output Mode

        LDM        STROBE,#0000_1011B
        LDM        TDR0,#250        ;8us x 250 = 2000us
        LDM        TMO,#0001_1111B ;Timer0(8bit),8us,Start Count-up
        LDM        IRQH,#0        ;Clear All Interrupts Requeat Flags
        LDM        IRQL,#0
        LDM        IENH,#1100_1000B ;EnableT0,Int0,Int1,Interrupt
        LDM        IENL,#00H
        LDM        IEDS,#0101_0101B ;External Int. Falling edge select
        LDM        PMR4,#03H        ;General port OR Int?
        SET1        UP_F
        EI                ;Enable Interrupts

```

```

;
Loop:      nop
          IF      F_500ms == 1
            clr1   F_500ms
            call   INC_DEC
          ENDIF
          jmp     Loop
;
;*****
; Subject:  Inc. or Dec. two digits      *
;*****
; Entry:    UP_F                          *
; Return:   UP_F=1, Increment two digits *
;           UP_F=0, Decrement two digits *
;*****
;
INC_DEC:   BBC      UP_F,DOWN              ;Check Down mode or Up mode
;
;*****
;*         Up Count      *
;*****
;
SETC
LDA        #0                          ; DIGIT1 <- DIGIT1 + 1
ADC        DIGIT1
          IF      A == #0AH
            setc
            lda   #0
          ENDIF
          STA     DIGIT1                  ; Store result into DIGIT1
;
          LDA     #0                          ; When Overflow is set,
          ADC     DIGIT10                   ; DIGIT10 <- DIGIT10 + 1
          IF      A == #10
            lda   #0
          ENDIF
          STA     DIGIT10
          RET
;
;*****
;*         Down Count    *
;*****
;
DOWN:      clr1   DIGIT1                  ; DIGIT1 <- DIGIT1 - 1
          lda   #0
          sbc   #0
          IF      A == #0FFH
            lda   #9
            clr1
          ELSE
            setc
          ENDIF
          sta   DIGIT1                    ; Store result into DIGIT1
;
          lda   DIGIT10                   ; When Overflow is set,
          sbc   #0                        ; DIGIT10 <- DIGIT10 - 1
          IF      A == #0FFH
            lda   #9
          ENDIF
          STA     DIGIT10
          RET
;
;*****
;*****
;          TIMER0, INTERRUPT ROUTINE(2ms)& INT0,INT1      *
;*****
;*****
;
TMRO_INT:  REG_SAVE                      ;Save Registers to Stacks
          CALL   DSPLY                    ;Segments Data Port Output
          CALL   Make_500msFalg          ;250ms measurement
          REG_RESTORE                    ;Restore Registers from Stacks
          RETI
;
;*****
;          EXTERNAL INTERRUPT 0 (UP/DOWN KEY)          *
;*****
;*****
;
INT_0:     NOT1     UP_F                    ;INT0 Service routine
          RETI                               ;Toggle the Up/Down mode
;

```

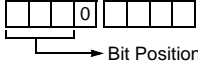
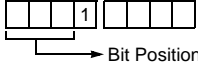
```

;*****
; EXTERNAL INTERRUPT 1 (CLEAR KEY)
;*****
;
INT_1:    LDM      DIGIT1,#0          ;INT1 Service routine
          LDM      DIGIT10,#0
          LDM      TMR_500MS,#0     ;0.5Sec Restart
          RETI
;
;*****
; Subject:   Seven Segment Display (DSPLY)
;*****
; Entry:    DIGIT10 or DIGIT1
; Return:   Output SEG_PORT (R00~R07),
;           Strobe_port (R22,R23)
; Scratch:  STROBE
;*****
; Description: After read internal RAM data, output data to the port *
;*****
DSPLY:    LDM      STROBE_PORT,#03H  ;Segment All Turn Off
          NOT1     STROBE.2          ;Toggle strobe0
          NOT1     STROBE.3          ;Toggle strobe1
;
          IF      STROBE.3 = 1      ;Test if R23 is high.
            ldy    DIGIT1
          ELSE
            ldy    DIGIT10
          ENDIF
;
          LDA      !FONT+Y
          STA      SEG_PORT          ;Segment Data output
          LDA      STROBE
          STA      STROBE_PORT       ;Current Digit Turn On
          RET
;
;*****
; Subject:   Set falg at every 500ms
;*****
; Entry:    None
; Return:   500ms flag (F_500ms)
;*****
;
Make_500msFalg:
          INC      TMR_500MS         ;count up every 2ms
          LDA      TMR_500MS
          IF      A == #250          ;Compare 0.5S
            ldm    TMR_500MS,#0     ;clear 0.5sec. counter
            set1   F_500ms          ;set 0.5sec. flag
          ENDIF
          RET
;
;*****
; 7-SEGMENT PATTERN DATA
;*****
;
;          f | a |
;          | g | b
;          | ---|
;          e |   | c
;          | d | .h
;*****
;
; Segment:   hgfe dcba           To be displayed Digit Number
FONT         DB      0011_1111B   ; 0
             DB      0000_0110B   ; 1
             DB      0101_1011B   ; 2
             DB      0100_1111B   ; 3
             DB      0110_0110B   ; 4
             DB      0110_1101B   ; 5
             DB      0111_1100B   ; 6
             DB      0000_0111B   ; 7
             DB      0111_1111B   ; 8
             DB      0110_0111B   ; 9
;
;*****
NOT_USED:    nop                   ;Discard Unexpected Interrupts
             reti
;
             END                   ;Notice Program End

```

C. INSTRUCTION

C.1 Terminology List

Terminology	Description
A	Accumulator
X	X - register
Y	Y - register
PSW	Program Status Word
#imm	8-bit Immediate data
dp	Direct Page Offset Address
!abs	Absolute Address
[]	Indirect expression
{ }	Register Indirect expression
{ }+	Register Indirect expression, after that, Register auto-increment
.bit	Bit Position
A.bit	Bit Position of Accumulator
dp.bit	Bit Position of Direct Page Memory
M.bit	Bit Position of Memory Data (000 _H ~0FFF _H)
rel	Relative Addressing Data
upage	U-page (0FF00 _H ~0FFFF _H) Offset Address
n	Table CALL Number (0~15)
+	Addition
x	 Upper Nibble Expression in Opcode
y	 Upper Nibble Expression in Opcode
-	Subtraction
×	Multiplication
/	Division
()	Contents Expression
^	AND
∨	OR
⊕	Exclusive OR
~	NOT
←	Assignment / Transfer / Shift Left
→	Shift Right
↔	Exchange
=	Equal
≠	Not Equal

C.2 Instruction Map

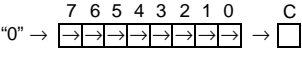
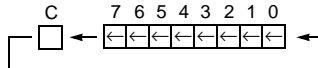
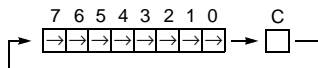
LOW HIGH	0000 00	00001 01	00010 02	00011 03	00100 04	00101 05	00110 06	00111 07	01000 08	01001 09	01010 0A	01011 0B	01100 0C	01101 0D	01110 0E	01111 0F
000	-	SET1 dp.bit	BBS A.bit,rel	BBS dp.bit,rel	ADC #imm	ADC dp	ADC dp+X	ADC !abs	ASL A	ASL dp	TCALL 0	SETA1 .bit	BIT dp	POP A	PUSH A	BRK
001	CLRC				SBC #imm	SBC dp	SBC dp+X	SBC !abs	ROL A	ROL dp	TCALL 2	CLRA1 .bit	COM dp	POP X	PUSH X	BRA rel
010	CLRG				CMP #imm	CMP dp	CMP dp+X	CMP !abs	LSR A	LSR dp	TCALL 4	NOT1 M.bit	TST dp	POP Y	PUSH Y	PCALL Upage
011	DI				OR #imm	OR dp	OR dp+X	OR !abs	ROR A	ROR dp	TCALL 6	OR1 OR1B	CMPX dp	POP PSW	PUSH PSW	RET
100	CLR V				AND #imm	AND dp	AND dp+X	AND !abs	INC A	INC dp	TCALL 8	AND1 AND1B	CMPY dp	CBNE dp+X	TXSP	INC X
101	SETC				EOR #imm	EOR dp	EOR dp+X	EOR !abs	DEC A	DEC dp	TCALL 10	EOR1 EOR1B	DBNE dp	XMA dp+X	TSPX	DEC X
110	SETG				LDA #imm	LDA dp	LDA dp+X	LDA !abs	TXA	LDY dp	TCALL 12	LDC LDCB	LDX dp	LDX dp+Y	XCN	DAS
111	EI				LDM dp,#imm	STA dp	STA dp+X	STA !abs	TAX	STY dp	TCALL 14	STC M.bit	STX dp	STX dp+Y	XAX	STOP

LOW HIGH	10000 10	10001 11	10010 12	10011 13	10100 14	10101 15	10110 16	10111 17	11000 18	11001 19	11010 1A	11011 1B	11100 1C	11101 1D	11110 1E	11111 1F
000	BPL rel	CLR1 dp.bit	BBC A.bit,rel	BBC dp.bit,rel	ADC {X}	ADC !abs+Y	ADC [dp+X]	ADC [dp]+Y	ASL !abs	ASL dp+X	TCALL 1	JMP !abs	BIT !abs	ADDW dp	LDX #imm	JMP [!abs]
001	BVC rel				SBC {X}	SBC !abs+Y	SBC [dp+X]	SBC [dp]+Y	ROL !abs	ROL dp+X	TCALL 3	CALL !abs	TEST !abs	SUBW dp	LDY #imm	JMP [dp]
010	BCC rel				CMP {X}	CMP !abs+Y	CMP [dp+X]	CMP [dp]+Y	LSR !abs	LSR dp+X	TCALL 5	MUL	TCLR1 !abs	CMPW dp	CMPX #imm	CALL [dp]
011	BNE rel				OR {X}	OR !abs+Y	OR [dp+X]	OR [dp]+Y	ROR !abs	ROR dp+X	TCALL 7	DBNE Y	CMPX !abs	LDYA dp	CMPY #imm	RETI
100	BMI rel				AND {X}	AND !abs+Y	AND [dp+X]	AND [dp]+Y	INC !abs	INC dp+X	TCALL 9	DIV	CMPY !abs	INCW dp	INC Y	TAY
101	BVS rel				EOR {X}	EOR !abs+Y	EOR [dp+X]	EOR [dp]+Y	DEC !abs	DEC dp+X	TCALL 11	XMA {X}	XMA dp	DECW dp	DEC Y	TYA
110	BCS rel				LDA {X}	LDA !abs+Y	LDA [dp+X]	LDA [dp]+Y	LDY !abs	LDY dp+X	TCALL 13	LDA {X}+	LDX !abs	STYA dp	XAY	DAA
111	BEQ rel				STA {X}	STA !abs+Y	STA [dp+X]	STA [dp]+Y	STY !abs	STY dp+X	TCALL 15	STA {X}+	STX !abs	CBNE dp	XYX	NOP

C.3 Instruction Set

Arithmetic / Logic Operation

No.	Mnemonic	Op Code	Byte No	Cycle No	Operation	Flag NVGBHIZC
1	ADC #imm	04	2	2	Add with carry.	
2	ADC dp	05	2	3	$A \leftarrow (A) + (M) + C$	NV--H-ZC
3	ADC dp + X	06	2	4		
4	ADC !abs	07	3	4		
5	ADC !abs + Y	15	3	5		
6	ADC [dp + X]	16	2	6		
7	ADC [dp] + Y	17	2	6		
8	ADC { X }	14	1	3		
9	AND #imm	84	2	2		
10	AND dp	85	2	3		
11	AND dp + X	86	2	4		
12	AND !abs	87	3	4		
13	AND !abs + Y	95	3	5		
14	AND [dp + X]	96	2	6		
15	AND [dp] + Y	97	2	6		
16	AND { X }	94	1	3		
17	ASL A	08	1	2	Arithmetic shift left C 7 6 5 4 3 2 1 0 $\square \leftarrow \leftarrow \leftarrow \leftarrow \leftarrow \leftarrow \leftarrow \leftarrow \leftarrow$ ← "0"	N-----ZC
18	ASL dp	09	2	4		
19	ASL dp + X	19	2	5		
20	ASL !abs	18	3	5		
21	CMP #imm	44	2	2	Compare accumulator contents with memory contents $(A) - (M)$	N-----ZC
22	CMP dp	45	2	3		
23	CMP dp + X	46	2	4		
24	CMP !abs	47	3	4		
25	CMP !abs + Y	55	3	5		
26	CMP [dp + X]	56	2	6		
27	CMP [dp] + Y	57	2	6		
28	CMP { X }	54	1	3		
29	CMPX #imm	5E	2	2	Compare X contents with memory contents $(X) - (M)$	N-----ZC
30	CMPX dp	6C	2	3		
31	CMPX !abs	7C	3	4		
32	CMPY #imm	7E	2	2	Compare Y contents with memory contents $(Y) - (M)$	N-----ZC
33	CMPY dp	8C	2	3		
34	CMPY !abs	9C	3	4		
35	COM dp	2C	2	4	1'S Complement : $(dp) \leftarrow \sim(dp)$	N-----Z-
36	DAA	DF	1	3	Decimal adjust for addition	N-----ZC
37	DAS	CF	1	3	Decimal adjust for subtraction	N-----ZC
38	DEC A	A8	1	2	Decrement $M \leftarrow (M) - 1$	N-----Z-
39	DEC dp	A9	2	4		N-----Z-
40	DEC dp + X	B9	2	5		N-----Z-
41	DEC !abs	B8	3	5		N-----Z-
42	DEC X	AF	1	2		N-----Z-
43	DEC Y	BE	1	2		N-----Z-

No.	Mnemonic	Op Code	Byte No	Cycle No	Operation	Flag NVGBHIZC
44	DIV	9B	1	12	Divide : YA / X Q: A, R: Y	NV--H-Z-
45	EOR #imm	A4	2	2	Exclusive OR $A \leftarrow (A) \oplus (M)$	N-----Z-
46	EOR dp	A5	2	3		
47	EOR dp + X	A6	2	4		
48	EOR !abs	A7	3	4		
49	EOR !abs + Y	B5	3	5		
50	EOR [dp + X]	B6	2	6		
51	EOR [dp] + Y	B7	2	6		
52	EOR { X }	B4	1	3		
53	INC A	88	1	2	Increment $M \leftarrow (M) + 1$	N-----ZC
54	INC dp	89	2	4		N-----Z-
55	INC dp + X	99	2	5		N-----Z-
56	INC !abs	98	3	5		N-----Z-
57	INC X	8F	1	2		N-----Z-
58	INC Y	9E	1	2		N-----Z-
59	LSR A	48	1	2	Logical shift right "0" → 	N-----ZC
60	LSR dp	49	2	4		
61	LSR dp + X	59	2	5		
62	LSR !abs	58	3	5		
63	MUL	5B	1	9	Multiply : $YA \leftarrow Y \times A$	N-----Z-
64	OR #imm	64	2	2	Logical OR $A \leftarrow (A) \vee (M)$	N-----Z-
65	OR dp	65	2	3		
66	OR dp + X	66	2	4		
67	OR !abs	67	3	4		
68	OR !abs + Y	75	3	5		
69	OR [dp + X]	76	2	6		
70	OR [dp] + Y	77	2	6		
71	OR { X }	74	1	3		
72	ROL A	28	1	2	Rotate left through Carry 	N-----ZC
73	ROL dp	29	2	4		
74	ROL dp + X	39	2	5		
75	ROL !abs	38	3	5	Rotate right through Carry 	N-----ZC
76	ROR A	68	1	2		
77	ROR dp	69	2	4		
78	ROR dp + X	79	2	5		
79	ROR !abs	78	3	5	Subtract with Carry $A \leftarrow (A) - (M) - \sim(C)$	NV--HZC
80	SBC #imm	24	2	2		
81	SBC dp	25	2	3		
82	SBC dp + X	26	2	4		
83	SBC !abs	27	3	4		
84	SBC !abs + Y	35	3	5		
85	SBC [dp + X]	36	2	6		
86	SBC [dp] + Y	37	2	6		
87	SBC { X }	34	1	3		
88	TST dp	4C	2	3	Test memory contents for negative or zero, (dp) - 00H	N-----Z-
89	XCN	CE	1	5	Exchange nibbles within the accumulator $A_7 \sim A_4 \leftrightarrow A_3 \sim A_0$	N-----Z-

Register / Memory Operation

No.	Mnemonic	Op Code	Byte No	Cycle No	Operation	Flag NVGBHIZC
1	LDA #imm	C4	2	2	Load accumulator	N-----Z-
2	LDA dp	C5	2	3	$A \leftarrow (M)$	
3	LDA dp + X	C6	2	4		
4	LDA !abs	C7	3	4		
5	LDA !abs + Y	D5	3	5		
6	LDA [dp + X]	D6	2	6		
7	LDA [dp] + Y	D7	2	6		
8	LDA { X }	D4	1	3		
9	LDA { X }+	DB	1	4	X- register auto-increment : $A \leftarrow (M)$, $X \leftarrow X + 1$	
10	LDM dp,#imm	E4	3	5	Load memory with immediate data : $(M) \leftarrow \text{imm}$	-----
11	LDX #imm	1E	2	2	Load X-register	N-----Z-
12	LDX dp	CC	2	3	$X \leftarrow (M)$	
13	LDX dp + Y	CD	2	4		
14	LDX !abs	DC	3	4		
15	LDY #imm	3E	2	2	Load Y-register	N-----Z-
16	LDY dp	C9	2	3	$Y \leftarrow (M)$	
17	LDY dp + X	D9	2	4		
18	LDY !abs	D8	3	4		
19	STA dp	E5	2	4	Store accumulator contents in memory	-----
20	STA dp + X	E6	2	5	$(M) \leftarrow A$	
21	STA !abs	E7	3	5		
22	STA !abs + Y	F5	3	6		
23	STA [dp + X]	F6	2	7		
24	STA [dp] + Y	F7	2	7		
25	STA { X }	F4	1	4		
26	STA { X }+	FB	1	4	X- register auto-increment : $(M) \leftarrow A$, $X \leftarrow X + 1$	
27	STX dp	EC	2	4	Store X-register contents in memory	
28	STX dp + Y	ED	2	5	$(M) \leftarrow X$	-----
29	STX !abs	FC	3	5		
30	STY dp	E9	2	4	Store Y-register contents in memory	-----
31	STY dp + X	F9	2	5	$(M) \leftarrow Y$	
32	STY !abs	F8	3	5		
33	TAX	E8	1	2	Transfer accumulator contents to X-register : $X \leftarrow A$	N-----Z-
34	TAY	9F	1	2	Transfer accumulator contents to Y-register : $Y \leftarrow A$	N-----Z-
35	TSPX	AE	1	2	Transfer stack-pointer contents to X-register : $X \leftarrow \text{sp}$	N-----Z-
36	TXA	C8	1	2	Transfer X-register contents to accumulator: $A \leftarrow X$	N-----Z-
37	TXSP	8E	1	2	Transfer X-register contents to stack-pointer: $\text{sp} \leftarrow X$	N-----Z-
38	TYA	BF	1	2	Transfer Y-register contents to accumulator: $A \leftarrow Y$	N-----Z-
39	XAX	EE	1	4	Exchange X-register contents with accumulator : $X \leftrightarrow A$	-----
40	XAY	DE	1	4	Exchange Y-register contents with accumulator : $Y \leftrightarrow A$	-----
41	XMA dp	BC	2	5	Exchange memory contents with accumulator	N-----Z-
42	XMA dp+X	AD	2	6	$(M) \leftrightarrow A$	
43	XMA {X}	BB	1	5		
44	XYX	FE	1	4	Exchange X-register contents with Y-register : $X \leftrightarrow Y$	-----

16-BIT operation

No.	Mnemonic	Op Code	Byte No	Cycle No	Operation	Flag NVGBHIZC
1	ADDW dp	1D	2	5	16-Bits add without Carry $YA \leftarrow (YA) + (dp+1)(dp)$	NV--H-ZC
2	CMPW dp	5D	2	4	Compare YA contents with memory pair contents : $(YA) - (dp+1)(dp)$	N-----ZC
3	DECW dp	BD	2	6	Decrement memory pair $(dp+1)(dp) \leftarrow (dp+1)(dp) - 1$	N-----Z-
4	INCW dp	9D	2	6	Increment memory pair $(dp+1)(dp) \leftarrow (dp+1)(dp) + 1$	N-----Z-
5	LDYA dp	7D	2	5	Load YA $YA \leftarrow (dp+1)(dp)$	N-----Z-
6	STYA dp	DD	2	5	Store YA $(dp+1)(dp) \leftarrow YA$	-----
7	SUBW dp	3D	2	5	16-Bits subtract without carry $YA \leftarrow (YA) - (dp+1)(dp)$	NV--H-ZC

Bit Manipulation

No.	Mnemonic	Op Code	Byte No	Cycle No	Operation	Flag NVGBHIZC
1	AND1 M.bit	8B	3	4	Bit AND C-flag : $C \leftarrow (C) \wedge (M.bit)$	-----C
2	AND1B M.bit	8B	3	4	Bit AND C-flag and NOT : $C \leftarrow (C) \wedge \sim(M.bit)$	-----C
3	BIT dp	0C	2	4	Bit test A with memory :	MM----Z-
4	BIT !abs	1C	3	5	$Z \leftarrow (A) \wedge (M), N \leftarrow (M_7), V \leftarrow (M_6)$	
5	CLR1 dp.bit	y1	2	4	Clear bit : $(M.bit) \leftarrow "0"$	-----
6	CLRA1 A.bit	2B	2	2	Clear A bit : $(A.bit) \leftarrow "0"$	-----
7	CLRC	20	1	2	Clear C-flag : $C \leftarrow "0"$	-----0
8	CLRG	40	1	2	Clear G-flag : $G \leftarrow "0"$	--0-----
9	CLRV	80	1	2	Clear V-flag : $V \leftarrow "0"$	-0--0---
10	EOR1 M.bit	AB	3	5	Bit exclusive-OR C-flag : $C \leftarrow (C) \oplus (M.bit)$	-----C
11	EOR1B M.bit	AB	3	5	Bit exclusive-OR C-flag and NOT : $C \leftarrow (C) \oplus \sim(M.bit)$	-----C
12	LDC M.bit	CB	3	4	Load C-flag : $C \leftarrow (M.bit)$	-----C
13	LDCB M.bit	CB	3	4	Load C-flag with NOT : $C \leftarrow \sim(M.bit)$	-----C
14	NOT1 M.bit	4B	3	5	Bit complement : $(M.bit) \leftarrow \sim(M.bit)$	-----
15	OR1 M.bit	6B	3	5	Bit OR C-flag : $C \leftarrow (C) \vee (M.bit)$	-----C
16	OR1B M.bit	6B	3	5	Bit OR C-flag and NOT : $C \leftarrow (C) \vee \sim(M.bit)$	-----C
17	SET1 dp.bit	x1	2	4	Set bit : $(M.bit) \leftarrow "1"$	-----
18	SETA1 A.bit	0B	2	2	Set A bit : $(A.bit) \leftarrow "1"$	-----
19	SETC	A0	1	2	Set C-flag : $C \leftarrow "1"$	-----1
20	SETG	C0	1	2	Set G-flag : $G \leftarrow "1"$	--1-----
21	STC M.bit	EB	3	6	Store C-flag : $(M.bit) \leftarrow C$	-----
22	TCLR1 !abs	5C	3	6	Test and clear bits with A : $A - (M), (M) \leftarrow (M) \wedge \sim(A)$	N-----Z-
23	TSET1 !abs	3C	3	6	Test and set bits with A : $A - (M), (M) \leftarrow (M) \vee (A)$	N-----Z-

Branch / Jump Operation

No.	Mnemonic	Op Code	Byte No	Cycle No	Operation	Flag NVGBHIZC
1	BBC A.bit,rel	y2	2	4/6	Branch if bit clear :	-----
2	BBC dp.bit,rel	y3	3	5/7	if (bit) = 0 , then $pc \leftarrow (pc) + rel$	
3	BBS A.bit,rel	x2	2	4/6	Branch if bit set :	-----
4	BBS dp.bit,rel	x3	3	5/7	if (bit) = 1 , then $pc \leftarrow (pc) + rel$	
5	BCC rel	50	2	2/4	Branch if carry bit clear if (C) = 0 , then $pc \leftarrow (pc) + rel$	-----
6	BCS rel	D0	2	2/4	Branch if carry bit set if (C) = 1 , then $pc \leftarrow (pc) + rel$	-----
7	BEQ rel	F0	2	2/4	Branch if equal if (Z) = 1 , then $pc \leftarrow (pc) + rel$	-----
8	BMI rel	90	2	2/4	Branch if minus if (N) = 1 , then $pc \leftarrow (pc) + rel$	-----
9	BNE rel	70	2	2/4	Branch if not equal if (Z) = 0 , then $pc \leftarrow (pc) + rel$	-----
10	BPL rel	10	2	2/4	Branch if minus if (N) = 0 , then $pc \leftarrow (pc) + rel$	-----
11	BRA rel	2F	2	4	Branch always $pc \leftarrow (pc) + rel$	-----
12	BVC rel	30	2	2/4	Branch if overflow bit clear if (V) = 0 , then $pc \leftarrow (pc) + rel$	-----
13	BVS rel	B0	2	2/4	Branch if overflow bit set if (V) = 1 , then $pc \leftarrow (pc) + rel$	-----
14	CALL !abs	3B	3	8	Subroutine call	
15	CALL [dp]	5F	2	8	$M(sp) \leftarrow (pc_H)$, $sp \leftarrow sp - 1$, $M(sp) \leftarrow (pc_L)$, $sp \leftarrow sp - 1$, if !abs, $pc \leftarrow abs$; if [dp], $pc_L \leftarrow (dp)$, $pc_H \leftarrow (dp+1)$.	-----
16	CBNE dp,rel	FD	3	5/7	Compare and branch if not equal :	-----
17	CBNE dp+X,rel	8D	3	6/8	if (A) \neq (M) , then $pc \leftarrow (pc) + rel$.	
18	DBNE dp,rel	AC	3	5/7	Decrement and branch if not equal :	-----
19	DBNE Y,rel	7B	2	4/6	if (M) \neq 0 , then $pc \leftarrow (pc) + rel$.	
20	JMP !abs	1B	3	3	Unconditional jump	
21	JMP [!abs]	1F	3	5	$pc \leftarrow$ jump address	-----
22	JMP [dp]	3F	2	4		
23	PCALL upage	4F	2	6	U-page call $M(sp) \leftarrow (pc_H)$, $sp \leftarrow sp - 1$, $M(sp) \leftarrow (pc_L)$, $sp \leftarrow sp - 1$, $pc_L \leftarrow (upage)$, $pc_H \leftarrow "OFFH"$.	-----
24	TCALL n	nA	1	8	Table call : $(sp) \leftarrow (pc_H)$, $sp \leftarrow sp - 1$, $M(sp) \leftarrow (pc_L)$, $sp \leftarrow sp - 1$, $pc_L \leftarrow (Table \ vector \ L)$, $pc_H \leftarrow (Table \ vector \ H)$	-----

Control Operation & Etc.

No.	Mnemonic	Op Code	Byte No	Cycle No	Operation	Flag NVGBHIZC
1	BRK	0F	1	8	Software interrupt : $B \leftarrow "1"$, $M(sp) \leftarrow (pc_H)$, $sp \leftarrow sp-1$, $M(s) \leftarrow (pc_L)$, $sp \leftarrow sp - 1$, $M(sp) \leftarrow (PSW)$, $sp \leftarrow sp - 1$, $pc_L \leftarrow (0FFDE_H)$, $pc_H \leftarrow (0FFDF_H)$.	---1-0--
2	DI	60	1	3	Disable all interrupts : $I \leftarrow "0"$	-----0--
3	EI	E0	1	3	Enable all interrupt : $I \leftarrow "1"$	-----1--
4	NOP	FF	1	2	No operation	-----
5	POP A	0D	1	4	$sp \leftarrow sp + 1$, $A \leftarrow M(sp)$	restored
6	POP X	2D	1	4	$sp \leftarrow sp + 1$, $X \leftarrow M(sp)$	
7	POP Y	4D	1	4	$sp \leftarrow sp + 1$, $Y \leftarrow M(sp)$	
8	POP PSW	6D	1	4	$sp \leftarrow sp + 1$, $PSW \leftarrow M(sp)$	
9	PUSH A	0E	1	4	$M(sp) \leftarrow A$, $sp \leftarrow sp - 1$	-----
10	PUSH X	2E	1	4	$M(sp) \leftarrow X$, $sp \leftarrow sp - 1$	
11	PUSH Y	4E	1	4	$M(sp) \leftarrow Y$, $sp \leftarrow sp - 1$	
12	PUSH PSW	6E	1	4	$M(sp) \leftarrow PSW$, $sp \leftarrow sp - 1$	
13	RET	6F	1	5	Return from subroutine $sp \leftarrow sp + 1$, $pc_L \leftarrow M(sp)$, $sp \leftarrow sp + 1$, $pc_H \leftarrow M(sp)$	-----
14	RETI	7F	1	6	Return from interrupt $sp \leftarrow sp + 1$, $PSW \leftarrow M(sp)$, $sp \leftarrow sp + 1$, $pc_L \leftarrow M(sp)$, $sp \leftarrow sp + 1$, $pc_H \leftarrow M(sp)$	restored
15	STOP	EF	1	3	Stop mode (halt CPU, stop oscillator)	-----

D. MASK ORDER SHEET

MASK ORDER & VERIFICATION SHEET

GMS81508B
 GMS81516B -HF
 GMS81524B

Customer should write inside thick line box.

1. Customer Information

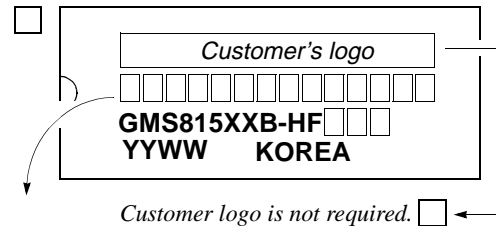
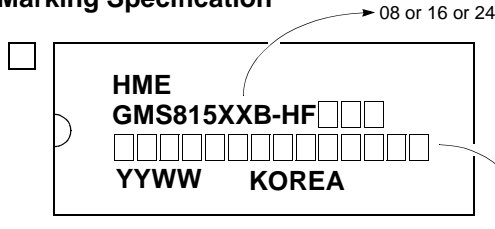
Company Name	
Application	
Order Date	YYYY MM DD • •
Tel:	Fax:
E-mail address:	
Name & Signature:	

2. Device Information

Package	<input type="checkbox"/> 64SDIP <input type="checkbox"/> 64MQFP <input type="checkbox"/> 64LQFP
Mask Data	<input type="checkbox"/> Internet <input type="checkbox"/> Hitel <input type="checkbox"/> Chollian
	File Name () .OTP
	ROM Size (bytes) <input type="checkbox"/> 8K <input type="checkbox"/> 16K <input type="checkbox"/> 24K
	Check Sum ()
PFD Option	<input type="checkbox"/> 3.0V <input type="checkbox"/> 2.4V <input type="checkbox"/> Not use
	(24K) 2000H (16K) 4000H (8K) 6000H Set "FFH" in blanked area
	7FFFH <input type="checkbox"/> .OTP file data

(Please check mark into)

3. Marking Specification



If the customer logo must be used in the special mark, please submit a clean original of the logo.

Customer's part number

4. Delivery Schedule

	Date	Quantity	HME Confirmation
Customer sample	YYYY MM DD • •	pcs	
Risk order	YYYY MM DD • •	pcs	

5. ROM Code Verification

Please confirm out verification data.

Verification date:	YYYY MM DD • •
Check sum:	
Tel:	Fax:
E-mail address:	
Name & Signature:	

Approval date:	YYYY MM DD • •
<i>I agree with your verification data and confirm you to make mask set.</i>	
Tel:	Fax:
E-mail address:	
Name & Signature:	