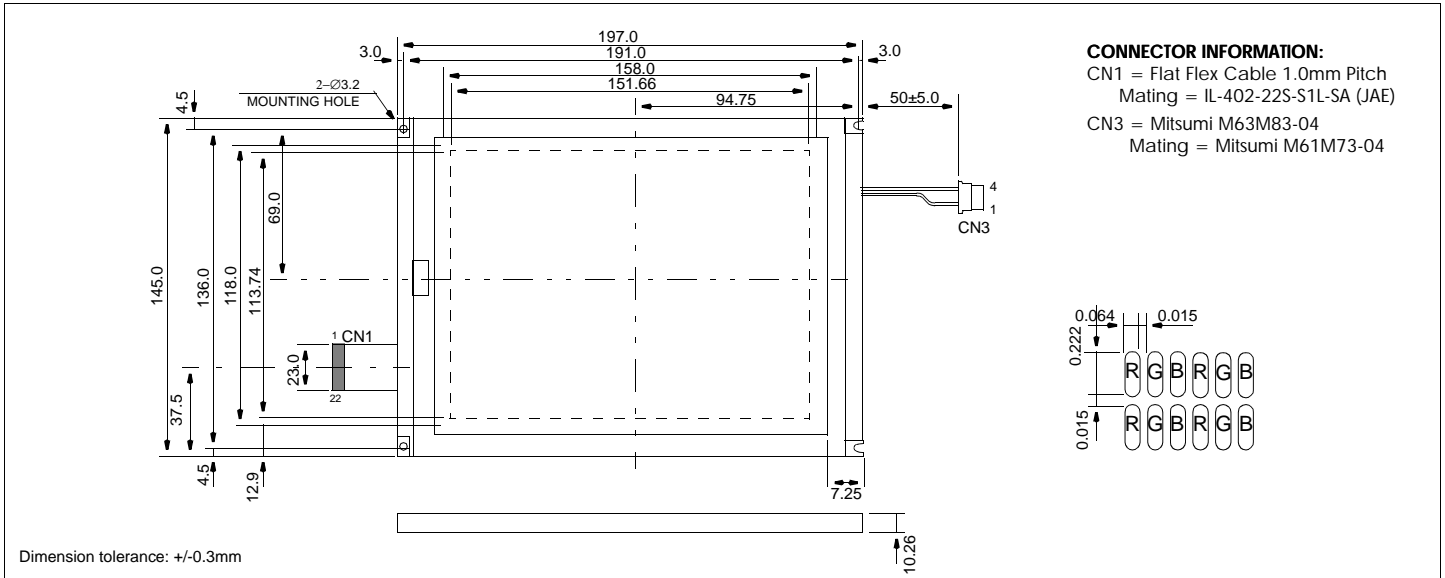


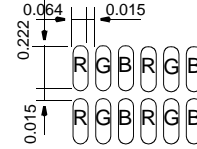
HDM6448C-7

Dimensional Drawing

640 X 480 7.5" Single Scan VGA Color



CONNECTOR INFORMATION:
 CN1 = Flat Flex Cable 1.0mm Pitch
 Mating = IL-402-22S-S1L-SA (JAE)
 CN3 = Mitsumi M63M83-04
 Mating = Mitsumi M61M73-04



Features

Backlight.....CCFL
 Options.....Color SSTN
 Built-in Controller.....None

Physical Data

Module Size.....197.0W x 145.0H x 10.26T mm
 Viewing Area Size.....158.0W x 118.0H mm
 Dot Pitch.....0.079W x 0.237H mm
 Dot Size.....0.064W x 0.222H mm
 Weight.....266g

Electrical Characteristics (VDD=3.3±0.25V 25°C)

PARAMETER	SYM	CONDITION	MIN	TYP	MAX	UNIT
SUPPLY VOLTAGE	V _{DD}	T _a =25°C	2.7 4.5	3.0 5.0	3.3 5.5	V
	V _{EE}	T _a =25°C	36.1	36.5	36.9	V
POWER SUPPLY CURRENT	I _{DD}	V _{DD} =3.3V	-	11.2	17.0	mA
	I _{EE}	V _{EE} =36.5V	-	19.6	30.2	mA
INPUT HIGH VOLTAGE	V _{IH}	-	.8V _{DD}	-	V _{DD}	V
INPUT LOW VOLTAGE	V _{IL}	-	0	-	.2V _{DD}	V
CCFL OP. VOLTAGE	V _{FL}	I _{FL} =4mA _{rms}	-	450	-	V _{rms}
CCFL OP. CURRENT	I _{FL}	V _{FL} =520V	3.0	4.0	5.0	mA _{rms}
CCFL START VOLTAGE	V _{FLS}	T _a =25°C	-	800	1500	V _{rms}
BRIGHTNESS		V _{FL} =4.0mA	-	147.6	-	NIT
DRIVE METHOD	1/240 DUTY					

Absolute Maximum Ratings

PARAMETER	SYMBOL	MIN	MAX	UNIT
SUPPLY VOLTAGE	V _{DD} -V _{SS}	-0.3	7.0	V
SUPPLY VOLTAGE FOR LCD	V _{EE} -V _{SS}	0	42.0	V
CCFL OPERATING VOLTAGE	V _{FL}	-	1500	V _{rms}
CCFL OPERATING CURRENT	I _{FL}	-	7.0	mA _{rms}
OPERATING TEMPERATURE	T _{OP}	0	50	°C
STORAGE TEMPERATURE	T _{STG}	-20	70	°C
HUMIDITY (NO CONDENSATION)	-	10	85	%RH

Pin Connections

PIN NO.	SYMBOL	LEVEL	FUNCTION
1	FLM	H	First Line Marker
2	V _{SS}	-	Ground
3	CL1	H/L	Data latch signal
4	V _{SS}	-	Ground
5	CL2	H/L	Data Shift clock
6	V _{SS}	-	Ground
7	D0	H/L	Display data
8	D1	H/L	
9	D2	H/L	
10	D3	H/L	
11	D4	H/L	
12	D5	H/L	
13	D6	H/L	
14	D7	H/L	
15	DISP	H/L	H=Display on, L=Display off
16	V _{DD}	-	Power supply for logic
17	V _{DD}	-	Power supply for logic
18	V _{SS}	-	Ground
19	V _{EE}	-	Power supply for LCD
20	V _{SS}	-	Ground
21	TS1	-	Temperature Sensor pin 1
22	TS2	-	Temperature Sensor pin 2

CCFL Connector

PIN NO.	SYMBOL	LEVEL	FUNCTION
1	V _{FLG}	-	Ground
2	NC	-	No Connection
3	NC	-	No Connection
4	V _{FL}	-	Power supply for CCFL