

Shielded Low Profile Surface Mount Inductors

- Operating Temperature Range -40°C to +155°C
- Ambient Temperature, Maximum 80°C
- Temperature Rise, Maximum 50°C

Specifications @ 25 °C

Part Number	Inductance 100 kHz O. IV		I _{rated} ⁽¹⁾ Rated Current Amps	Heating ⁽²⁾ Current Amps	I _{sat} ⁽³⁾ Saturation Current Amps	DC Resistance		Height Inch/mm Max.	Figure
	@ 0 Adc µH ±20%	@ I _{rated} µH Typ.				mΩ Typ.	mΩ Max.		
HM73-10R10LF	0.10	0.09	22.0	26.7	38.0	1.4	1.65	.138/3.50	2
HM73-10R10LLF	0.10	0.09	22.0	28.0	38.0	1.2	1.40	.124/3.15	1
HM73-10R20LF	0.22	0.20	17.0	23.0	23.0	1.8	2.10	.138/3.50	2
HM73-10R20LLF	0.22	0.20	17.0	23.0	23.0	1.8	2.10	.124/3.15	1
HM73-10R47LF	0.47	0.42	15.0	19.2	23.0	2.7	3.16	.158/4.00	1
HM73-10R68LF	0.68	0.64	12.0	14.9	28.0	4.5	5.20	.158/4.00	1
HM73-101R0LF	1.00	1.00	8.5	14.9	15.0	5.2	7.00	.158/4.00	1
HM73-101R0LLF	1.00	0.90	6.0	10.9	18.0	8.4	8.80	.126/3.20	1
HM73-101R5LF	1.50	1.30	6.5	12.7	11.0	6.2	8.30	.177/4.50	1
HM73-102R0LF	2.00	1.70	8.0	11.8	11.0	7.2	8.30	.177/4.50	1
HM73-106R0LF	6.00	5.00	4.8	6.0	4.8	26	30.0	.197/5.00	1
HM73-106R4LF	6.40	5.80	3.5	6.0	6.0	26	30.0	.197/5.00	1
HM73-12R68LF	0.68	0.60	16.0	20.0	30.0	2.7	3.20	.197/5.00	1
HM73-15R10LF	0.108	0.103	30.0	40.8	51.0	0.6	0.70	.185/4.70	1
HM73-15R20LF	0.20	0.17	21.0	35.3	40.0	0.8	0.90	.158/4.00	1
HM73-15R47LF	0.47	0.42	17.0	26.7	35.0	1.4	1.55	.158/4.00	1
HM73-15R70LF	0.70	0.65	16.0	27.7	30.0	1.3	1.50	.220/5.60	1
HM73-151R0LF	1.00	0.95	10.0	22.0	34.0	2.0	2.20	.220/5.60	1
HM73-151R2LF	1.20	1.07	14.0	23.0	23.0	2.0	2.30	.232/5.90	1
HM73-151R5LF	1.50	1.33	10.0	22.9	25.0	1.90	2.20	.216/5.50	1
HM73-152R2LF	2.20	2.10	8.0	16.1	13.0	3.85	4.60	.216/5.50	1
HM73-154R7LF	4.70	3.50	10.0	15.6	16.0	4.80	5.00	.288/7.30	1
HM73-201R0LF	1.00	0.91	16.0	18.8	32.0	2.8	3.30	.177/4.50	1
HM73-201R5LF	1.50	1.43	13.0	16.4	22.0	3.7	4.40	.177/4.50	1
HM73-30R60LF	0.60	0.54	27.0	30.1	40.0	1.1	1.25	.216/5.50	1
HM73-301R0LF	1.00	0.89	23.0	25.8	34.0	1.5	1.70	.216/5.50	1
HM73-301R5LF	1.50	1.25	18.0	22.9	30.0	1.9	2.30	.216/5.50	1
HM73-302R2LF	2.20	2.00	12.0	15.0	24.0	4.4	5.10	.216/5.50	1
HM73-303R9LF	3.90	3.60	10.0	13.7	18.0	5.7	7.20	.216/5.50	1
HM73-304R6LF	4.60	4.10	9.0	12.4	14.0	6.5	8.30	.216/5.50	1
HM73-316R4LF	6.40	5.65	6.5	7.8	16.0	16.6	25.00	.197/5.00	2
HM73-318R2LF	8.20	7.72	5.6	7.3	16.0	18.8	26.00	.197/5.00	2
HM73-31100LF	10.0	8.90	6.0	6.9	10.0	20.8	26.00	.197/5.00	2
HM73-40R15LF	0.15	0.13	40.0	44.7	80.0	0.5	0.55	.256/6.50	1
HM73-40R30LF	0.30	0.27	40.0	40.8	73.0	0.5	0.65	.256/6.50	1
HM73-40R40LF	0.40	0.37	40.0	40.0	61.0	0.65	1.00	.256/6.50	1
HM73-40R50LF	0.50	0.46	40.0	40.0	49.0	0.8	1.00	.256/6.50	1
HM73-40R90LF	0.90	0.80	25.0	28.8	40.0	1.2	1.40	.256/6.50	1
HM73-402R2LF	2.20	1.90	15.0	20.8	27.0	2.3	2.60	.256/6.50	1
HM73-509R1LF	9.10	7.40	8.0	10.5	15.0	9.1	10.8	.295/7.50	1
HM73-50100LF	10.0	8.49	8.0	10.2	15.0	9.6	11.4	.295/7.50	1

Specifications @ 25 °C (Cont'd)

Part Number	Inductance 100 kHz O.I.V		I _{rated} ⁽¹⁾ Rated Current Amps	Heating ⁽²⁾ Current Amps	I _{sat} ⁽³⁾ Saturation Current Amps	DC Resistance		Height Inch/mm Max.	Figure
	@ 0 Adc μH ±20%	@ I _{rated} μH Typ.				mΩ Typ.	mΩ Max.		
HM73-50120LF	12.0	10.59	7.0	8.7	13.0	13.0	15.0	.295/7.50	1
HM73-50140LF	14.0	12.00	5.5	9.5	10.0	11.0	13.2	.335/8.50	1
HM73-5015R5LF	15.5	13.00	5.0	9.9	10.0	15.0	18.2	.315/8.00	1
HM73-5020R9LF	20.9	17.00	4.5	8.0	8.0	16.0	19.0	.315/8.00	1
HM73-5026R5LF	26.5	22.50	4.6	7.0	8.8	21.0	25.2	.355/9.00	1

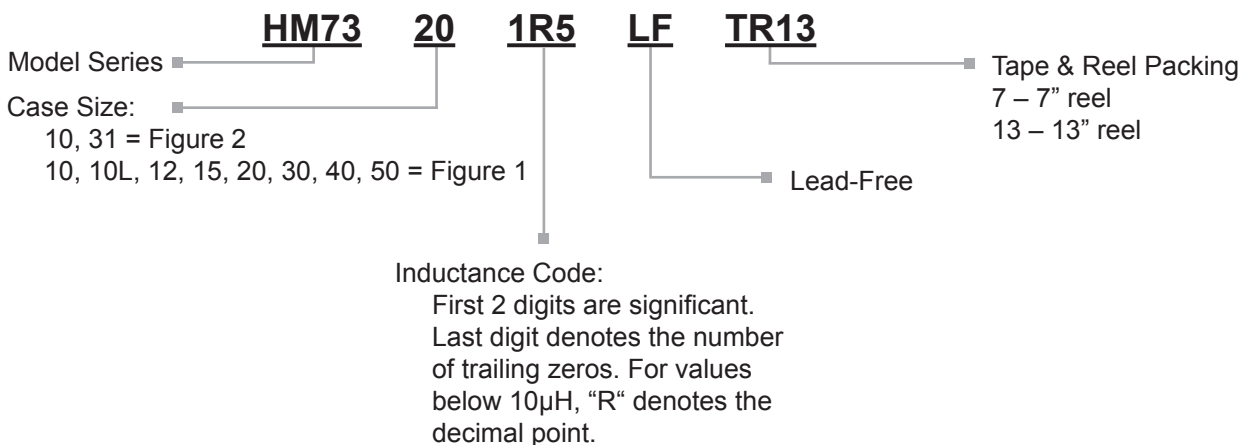
- Notes:
- (1) The rated current is the approximate current at which inductance will be decreased by 20% from its initial (zero DC) value.
 - (2) The Heating Current is the DC current which causes the component temperature to increase by approximately 50°C. This current is determined by soldering the component on a typical application PCB, and then apply the current to the component for 30 minutes.
 - (3) Isat is the saturation current at which inductance rolls off approximately 30% from its initial unbiased inductance value.
 - (4) PC Board layout, proximity of other components, trace size and airflow will affect temperature rise and must be considered when selecting an inductor.

Packaging

Standard: Embossed Tape & Reel

- (1) Case size 10, 10L & 12
 Reel: Diameter: 7" (177.8mm) 13" (330.2mm)
 Capacity: = 250 Units 1000 Units
- (2) Other case sizes
 Reel: Diameter: Case size 15, 20, 30, 31, 40, 50 = 13" (330.2mm)
 Capacity: Case size 20, 30, 31, 40 = 400 Units
 Case size 15 = 500 Units
 Case size 50 = 250 Units

Ordering Information



Outline Dimensions (Inch/mm)

Figure 1

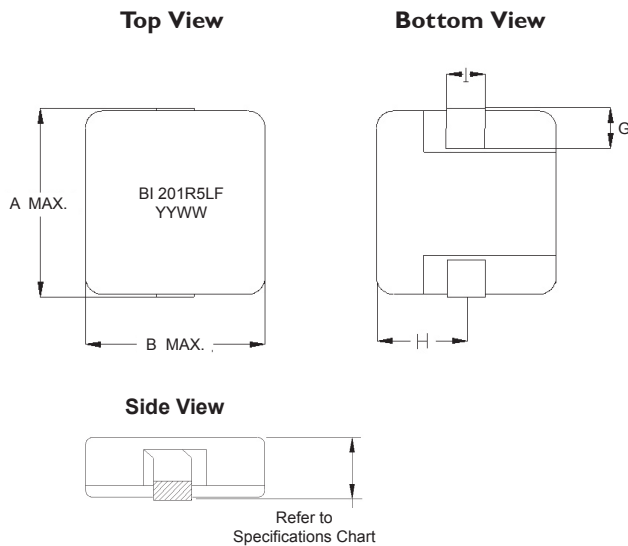
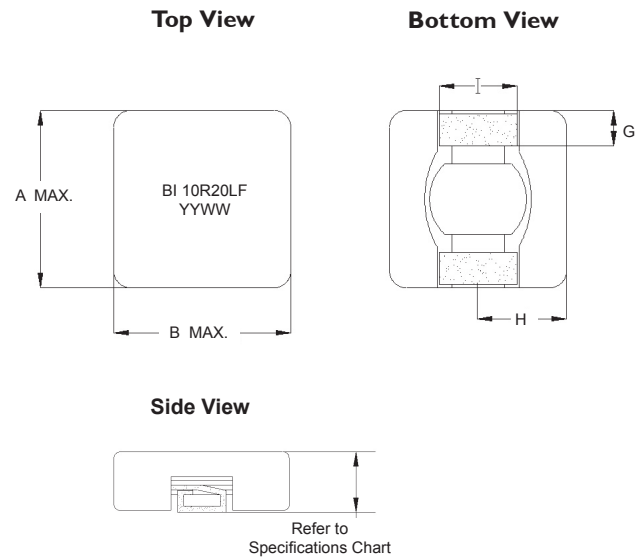
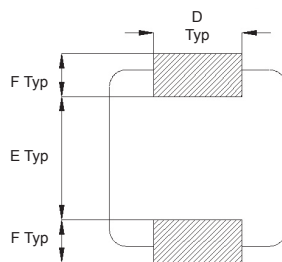


Figure 2



Recommended Solder Pad Layout



Case Size	Inductance Code	Fig.	A	B	D	E	F	G	H	I
10	All Models	2	.295	.271	.138	.138	.098	.079±.020	.126±.020	.118±.020
			7.50	6.90	3.50	3.50	2.50	2.0±0.5	3.2±0.5	3.0±0.5
10 & 10L	All Models	1	.285	.265	.059	.098	.098	.079±.020	.126±.020	.053±.020
			7.23	6.73	1.50	2.50	2.50	2.0±0.5	3.2±0.5	1.35±0.5
12	R68	1	.295	.265	.059	.098	.098	.079±.020	.126±.020	.053±.020
			7.50	6.73	1.50	2.50	2.50	2.0±0.5	3.2±0.5	1.35±0.5
15	All Models	1	.461	.413	.098	.177	.138	.09±.020	.197±.020	.079±.020
			11.70	10.50	2.50	4.50	3.50	2.3±0.5	5.0±0.5	2.0±0.5
20	All Models	1	.531	.512	.158	.236	.158	.118±.020	.240±.020	.091±.020
			13.5	13.0	4.00	6.00	4.00	3.0±0.5	6.1±0.5	2.3±0.5
30	All Models	1	.552	.512	.158	.236	.167	.118±.020	.240±.020	.091±.020
			14.0	13.0	4.00	6.00	4.25	3.0±0.5	6.1±0.5	2.3±0.5
31	All Models	2	.512	.512	.295	.236	.177	.118±.020	.240±.020	.217±.020
			13.0	13.0	7.50	6.00	4.50	3.0±0.5	6.1±0.5	5.5±0.5
40	R15 & R40	1	.575	.512	.158	.236	.177	.118±.020	.240±.020	.091±.020
			14.6	13.0	4.00	6.00	4.50	3.0±0.5	6.1±0.5	2.3±0.5
40	R30, R50 R90 & 2R2	1	.556	.512	.158	.236	.167	.118±.020	.240±.020	.091±.020
			14.1	13.0	4.00	6.00	4.25	3.0±0.5	6.1±0.5	2.3±0.5
50	All Models	1	.531	.512	.158	.236	.158	.118±.020	.240±.020	.091±.020
			13.5	13.0	4.00	6.00	4.00	3.0±0.5	6.1±0.5	2.3±0.5