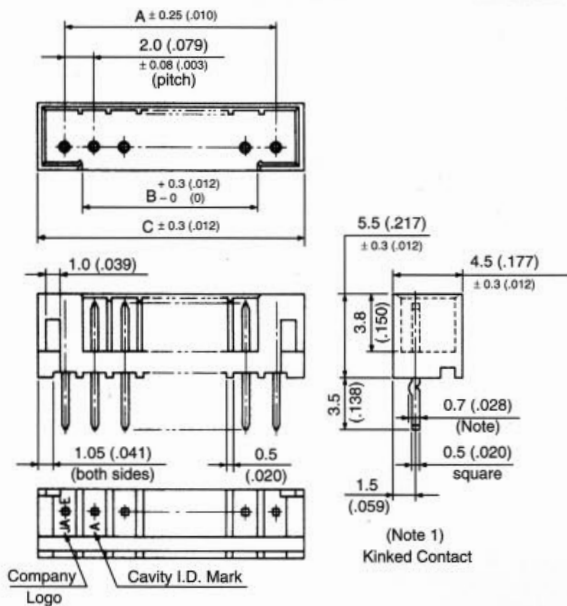


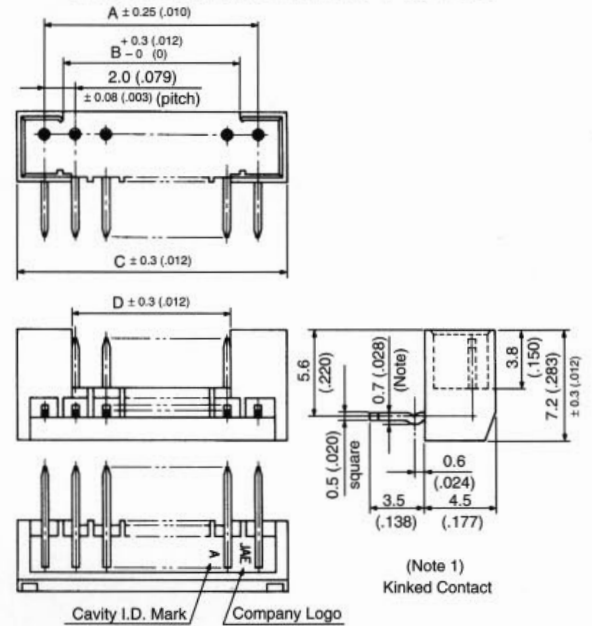
IL-S SERIES CONNECTORS

2.0mm (.079") Contact Spacing, PCB-to-Cable (Crimp Type) Connectors

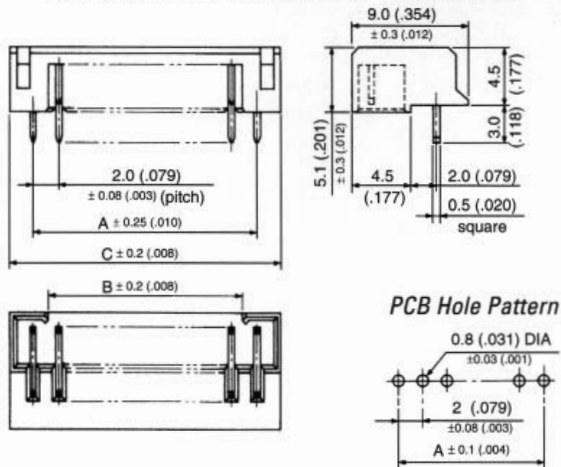
STRAIGHT PIN HEADER: IL-S-*P-S2T2-EF



ANGLE PIN HEADER: IL-S-*P-S2L2-EF



BOTTOM PIN HEADER: IL-S-*P-S2UX2-E



ORDERING INFORMATION

IL-S - 5 P - S 2 T 2 - E F

- Series **IL-S**
- No. of Contacts **5**
- Contact Type **P** - Pin
- Contact Arrangement **S** - Single Row
- Contact Pitch **2.0mm (.079")**
- Termination **T** - Straight Through Hole
- L** - Right Angle Through Hole
- UX** - Bottom Through Hole
- Applicable PCB Thickness: **1.2 to 1.6 (.047 to .063)**
- Terminal Length: **3.5mm (.138")**
- DIP Side Kinked (except bottom type)

No. of Contacts	Part Number			A	B	C	D ± 0.3 (± .012)
	Straight Pin Header	Angle Pin Header	Bottom Pin Header				
2	IL-S- 2P-S2T2-EF	IL-S- 2P-S2L2-EF	IL-S- 2P-S2UX2-E	2 (.079)	0.8 (.031)	5.6 (.220)	0.5 (.012)
3	IL-S- 3P-S2T2-EF	IL-S- 3P-S2L2-EF	IL-S- 3P-S2UX2-E	4 (.157)	1.6 (.063)	7.6 (.230)	0.5 (.012)
4	IL-S- 4P-S2T2-EF	IL-S- 4P-S2L2-EF	IL-S- 4P-S2UX2-E	6 (.236)	3.6 (.142)	9.6 (.378)	2.5 (.098)
5	IL-S- 5P-S2T2-EF	IL-S- 5P-S2L2-EF	IL-S- 5P-S2UX2-E	8 (.315)	5.6 (.220)	11.6 (.457)	4.5 (.177)
6	IL-S- 6P-S2T2-EF	IL-S- 6P-S2L2-EF	IL-S- 6P-S2UX2-E	10 (.394)	7.6 (.299)	13.6 (.535)	6.5 (.256)
7	IL-S- 7P-S2T2-EF	IL-S- 7P-S2L2-EF	IL-S- 7P-S2UX2-E	12 (.472)	9.6 (.378)	15.6 (.614)	8.5 (.335)
8	IL-S- 8P-S2T2-EF	IL-S- 8P-S2L2-EF	IL-S- 8P-S2UX2-E	14 (.551)	11.6 (.457)	17.6 (.693)	10.5 (.413)
9	IL-S- 9P-S2T2-EF	IL-S- 9P-S2L2-EF	IL-S- 9P-S2UX2-E	16 (.630)	13.6 (.535)	19.6 (.772)	12.5 (.492)
10	IL-S-10P-S2T2-EF	IL-S-10P-S2L2-EF	IL-S-10P-S2UX2-E	18 (.709)	15.6 (.614)	21.6 (.850)	14.5 (.571)
11	IL-S-11P-S2T2-EF	IL-S-11P-S2L2-EF	IL-S-11P-S2UX2-E	20 (.787)	17.6 (.693)	23.6 (.929)	16.5 (.650)
12	IL-S-12P-S2T2-EF	IL-S-12P-S2L2-EF	IL-S-12P-S2UX2-E	22 (.866)	19.6 (.772)	25.6 (1.008)	18.5 (.728)
13	IL-S-13P-S2T2-EF	IL-S-13P-S2L2-EF	—	24 (.945)	21.6 (.850)	27.6 (1.087)	20.5 (.807)
14	IL-S-14P-S2T2-EF	IL-S-14P-S2L2-EF	—	26 (1.024)	23.6 (.929)	29.6 (1.165)	22.5 (.886)
15	IL-S-15P-S2T2-EF	IL-S-15P-S2L2-EF	—	28 (1.102)	25.6 (1.008)	31.6 (1.244)	24.5 (.965)

Note 1: Insulator colors - Red, Black, Green, White are available other than standard Light Brown. Please consult JAE for details.

Dimensions in mm (inches).

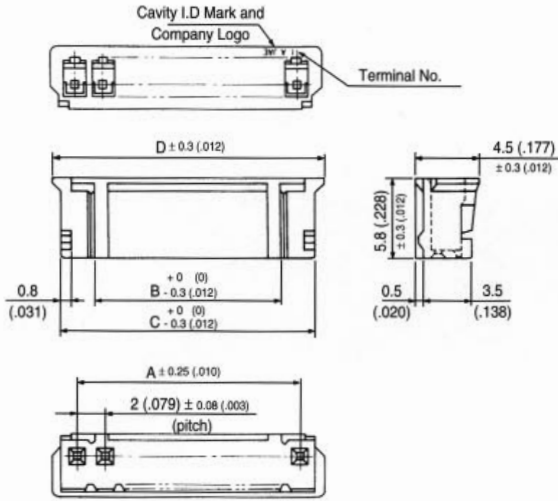
Hong Kong Tel: 2723-7782 Fax: 2723-9028	Japan 03-3780-2715 03-3780-2883	Korea 2-551-8959 2-551-8958	Philippines 46-433-0276 46-433-0287	Singapore 748-1332 748-2920	Taiwan 02-555-9711 02-556-5424	Europe 1276-21717 1276-66165	United States 949-753-2600 949-753-2699
---	---------------------------------------	-----------------------------------	---	-----------------------------------	--------------------------------------	------------------------------------	---



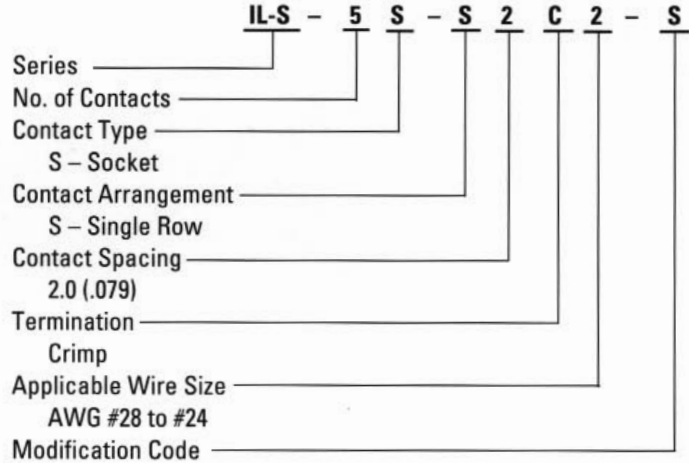
IL-S SERIES CONNECTORS

2.0mm (.079") Contact Spacing, PCB-to-Cable (Crimp Type) Connectors

SOCKET HOUSING: IL-S-*S-S2C2-S



ORDERING INFORMATION

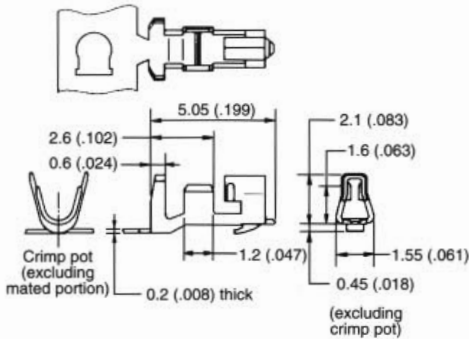


No. of Contacts	Part Number	A ± 0.25 ($\pm .010$)	B 0 (0) -0.3 (-.012)	C 0 (0) -0.3 (-.012)	D ± 0.3 ($\pm .012$)
2	IL-S- 2S-S2C2-S	2 (.079)	0.7 (.028)	4.5 (.177)	5.6 (.220)
3	IL-S- 3S-S2C2-S	4 (.157)	1.5 (.059)	6.5 (.256)	7.6 (.230)
4	IL-S- 4S-S2C2-S	6 (.236)	3.5 (.138)	8.5 (.335)	9.6 (.378)
5	IL-S- 5S-S2C2-S	8 (.315)	5.5 (.217)	10.5 (.413)	11.6 (.457)
6	IL-S- 6S-S2C2-S	10 (.394)	7.5 (.295)	12.5 (.492)	13.6 (.535)
7	IL-S- 7S-S2C2-S	12 (.472)	9.5 (.374)	14.5 (.570)	15.6 (.614)
8	IL-S- 8S-S2C2-S	14 (.551)	11.5 (.453)	16.5 (.650)	17.6 (.693)
9	IL-S- 9S-S2C2-S	16 (.630)	13.5 (.531)	18.5 (.728)	19.6 (.772)
10	IL-S- 10S-S2C2-S	18 (.709)	15.5 (.610)	20.5 (.807)	21.6 (.850)
11	IL-S- 11S-S2C2-S	20 (.787)	17.5 (.689)	22.5 (.886)	23.6 (.929)
12	IL-S- 12S-S2C2-S	22 (.866)	19.5 (.768)	24.5 (.965)	25.6 (1.008)
13	IL-S- 13S-S2C2-S	24 (.945)	21.5 (.846)	26.5 (1.043)	27.6 (1.087)
14	IL-S- 14S-S2C2-S	26 (1.024)	23.5 (.925)	28.5 (1.122)	29.6 (1.165)
15	IL-S- 15S-S2C2-S	28 (1.102)	25.5 (1.004)	30.5 (1.201)	31.6 (1.244)

SOCKET CONTACT (CRIMP TYPE)

Part Number: IL-S-C2-S-10000

10000 contacts/reel



Applicable Wire (Stranded)		Hand Crimping Tool
AWG No.	Wire Insulation Outer Dia.	
#28 to #26	$\phi 1.0$ to $\phi 1.3$ mm (.039 to .051")	CT150-2-ILS CT150-4-ILS
#26 to #24	$\phi 1.2$ to $\phi 1.6$ mm (.047 to .063")	
#28 to #26	$\phi 0.7$ to $\phi 1.0$ mm (.028 to .039")	CT150-2-ILSmk2
#26 to #24	$\phi 0.9$ to $\phi 1.2$ mm (.035 to .047")	

Semi-Automatic Crimping Machine: CT350-2-ILS

Contact Extraction Tool: ET-ILS-N03

Dimensions in mm (inches).



Hong Kong
Tel: 2723-7782
Fax: 2723-9028

Japan
03-3780-2715
03-3780-2883

Korea
2-551-8959
2-551-8958

Philippines
46-433-0276
46-433-0287

Singapore
748-1332
748-2920

Taiwan
02-555-9711
02-556-5424

Europe
1276-21717
1276-66165

United States
949-753-2600
949-753-2699