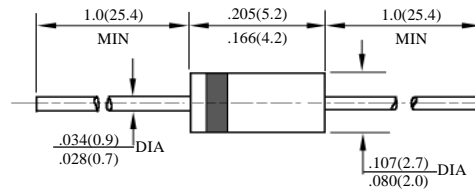


1N4933G – 1N4937G
**快速玻钝二极管
FAST GPP DIODES**

型号 TYPE	最大反向 峰值电压 Maximum Peak Reverse Voltage	最大平均正向电流 Maximum Average Rectified Current @ Half-Wave Resistive Load 60Hz		最大正向浪涌电流 Maximum Forward Peak Surge Current @ 8.3ms Superimposed	最大反向漏电流 Maximum Reverse Current @ PRV @ T _A =25°C	最大正向电压 Maximum Forward Voltage @ T _A =25°C		最大反向 恢复时间 Maximum Reverse Recovery Time	外型尺寸 Package Dimensions
		I _O @ T _L	A _{AV}			°C	A _{PK}		
	PRV			I _{FM} (Surge)	I _R	I _{FM}	V _{FM}	Trr	
	V _{PK}	A _{AV}	°C	A _{PK}	μA _{dc}	A _{PK}	V _{PK}	ns	
1N4933G	50	1.0	55	30	5.0	1.0	1.2	150	DO-41
1N4934G	100								
1N4935G	200								
1N4936G	400								
1N4937G	600								

 Trr测试条件: I_F = 0.5A, I_R = 1.0A, I_{RR} = 0.25A

 Trr Test Conditions: I_F = 0.5A, I_R = 1.0A, I_{RR} = 0.25A


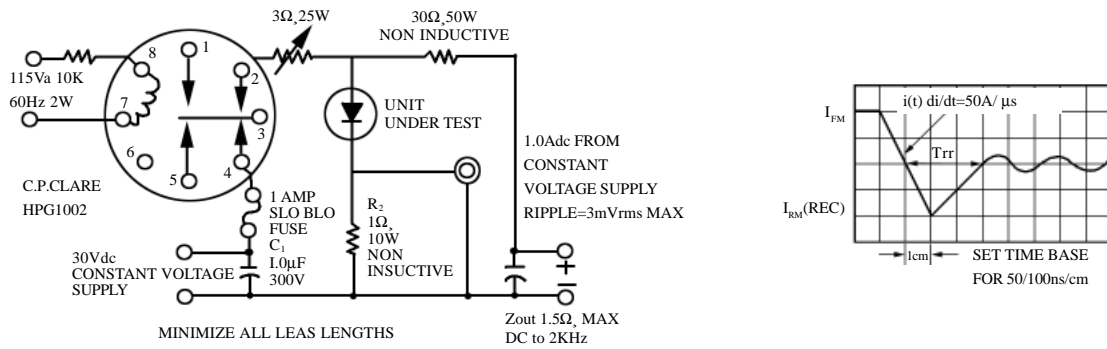
DO - 41

1N4933G-1N4937G

快速 GPP 二极管额定值与特性曲线

RATING & CHARACTERISTIC CURVES OF FAST GPP DIODE

FIG.1-REVERSE RECOVERY TIME CHARACTERISTIC AND TEST CIRCUIT DIAGRAM



A TEKTRONIX 545A.K PLUG IN PRE AMP
 P6000 PROBE OR EQUIVALENT
 R₁ ADJUSTED FOR 1.4 Ω, BETWEEN
 POINT 2 OF RELAY AND RECTIFIER
 INDUCTIVE = 38μH

R₂ TEN 1W 10Ω, % CARBON CORE
 IN PARALLEL
 T_A 25 ± 0.5°C FOR RECTIFIER

FIG.3-TYPICAL FORWARD CHARACTERISTICS

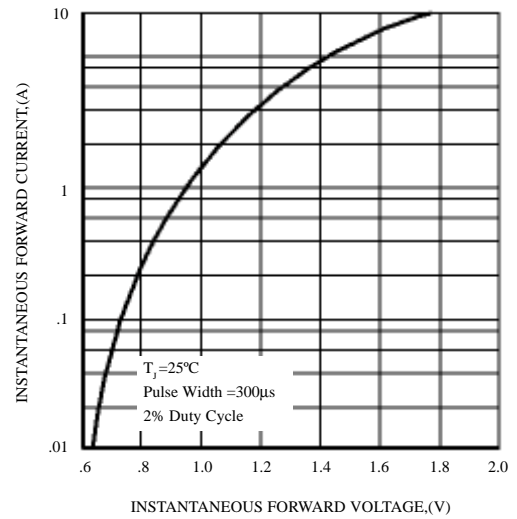


FIG. 2 - TYPICAL FORWARD CURRENT DERATING CURVE

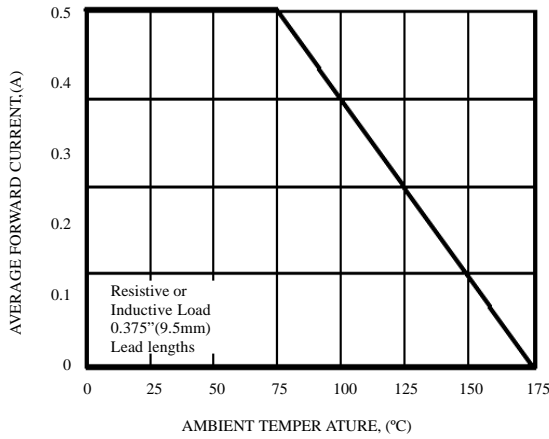


FIG.5-TYPICAL REVERSE CHARACTERISTICS

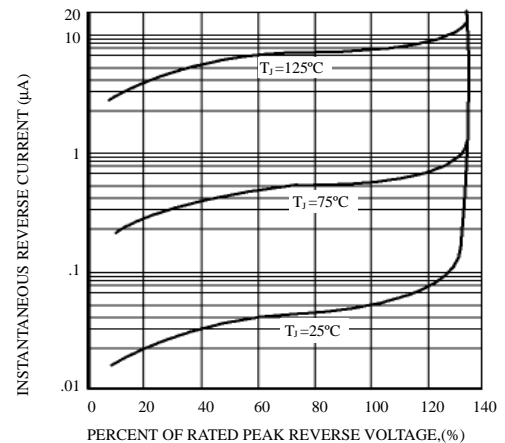


FIG.4-TYPICAL JUNCTION CAPACITANCE

