

JE22

HIGH POWER LATCHING RELAY



Features

- 100A switching capability
- Strong resistance ability to shock & vibration
- Heavy load up to 27.7kVA
- 4kV dielectric strength
(between coil and contacts)
- Micro switch on mounting board available
- Environmental friendly product (RoHS compliant)
- Outline Dimensions: (60.0 x 40.0 x 21.0) mm

CONTACT DATA

Contact arrangement	1A
Voltage drop ²⁾	Typ.: 50mV (at 10A) Max.: 250mV (at 10A)
Contact material	AgSnO ₂ , AgCdO
Contact rating (Res. load)	100A 277VAC/28VDC
Max. switching voltage	440VAC
Max. switching current	100A
Max. switching power	27700VA / 2800W
Mechanical endurance	1 x 10 ⁵ OPS
Electrical endurance	2 x 10 ⁴ OPS

CHARACTERISTICS

Insulation resistance	1000MΩ (at 500VDC)	
Dielectric strength	Between coil & contacts	4000VAC 1 min
	Between open contacts	2000VAC 1 min
Creepage distance	8mm	
Operate time (at nomi. volt.)	20ms max.	
Release time (at nomi. volt.)	20ms max.	
Shock resistance	Functional	100m/s ² (10g)
	Destructive	1000m/s ² (100g)
Vibration resistance	10Hz to 55Hz 1.0mm DA	
Humidity	98% RH, 40°C	
Ambient temperature	-40°C to 70°C	
Termination	PCB & QC	
Unit weight	Approx. 100g	
Construction	Dust protected	

COIL

Coil power	Single Coil: 2.4W; Double Coil: 4.8W
------------	--------------------------------------

COIL DATA ³⁾

at 23°C

Nominal Voltage VDC	Pick-up Voltage VDC	Pulse Duration ms	Coil Resistance x (±10%) Ω	
6	4.8	200	Single Coil	16
12	9.6	200		60
24	19.2	200		250
48	38.4	200	Double Coils	1000
6	4.8	200		2 x 8
12	9.6	200		2 x 30
24	19.2	200		2 x 125
48	38.4	200	2 x 500	

Notes: 1) The data shown above are initial values.

2) Equivalent to the max. initial contact resistance is 50mΩ (at 1A 24VDC), and measured when coil is energized with 100% nominal voltage at 25°C.

3) When requiring other nominal voltage, special order allowed.

Notice

1. Relay is on the "set" status when being released from stock, with the consideration of shock risen from transit and relay mounting, relay would be changed to "reset" status, therefore, when application (connecting the power supply), please reset the relay to "set" or "reset" status on request.
2. In order to maintain "set" or "reset" status, energized voltage to coil should reach the rated voltage, impulse width should be 5 times more than "set" or "reset" time. Do not energize voltage to "set" coil and "reset" coil simultaneously. And also long energized time (more than 1 min) should be avoided.
3. The terminals of relay without twisted copper wire can not be tinsoldered, can not be moved willfully, more over two terminals can not be fixed at the same time.



HONGFA RELAY

ISO9001、ISO/TS16949、ISO14001、OHSAS18001 CERTIFIED

2007 Rev. 2.00

ORDERING INFORMATION

JE22		-A /	12	-H	1	L	T	B	-2	1	-R (XXX)
Type											
Version	A: Type A contact terminal B: Type B contact terminal C: Type C contact terminal										
Coil voltage	6, 12, 24, 48VDC										
Contact form	H: 1 Form A										
Coil terminal type	1: Type 1 2: Type 2										
Coil power ¹⁾	L: Sensitive Nil: Standard										
Contact material	T: AgSnO ₂ Nil: AgCdO										
Insulation standard	B: Class B F: Class F										
Sort	1: 1 coil latching 2: 2 coils latching										
Mounting board form	1: Without micro switch 2: With micro switch										
Polarity	R: Negative polarity Nil: Positive polarity										
Customer special code ²⁾	e.g. (551) stands for RoHS compliant (Cadmium containing contacts) (Only for special requirements) (555) stands for RoHS compliant (Cadmium-free contacts)										

Notes: 1) When ordering sensitive type, please specify the exact coil power.

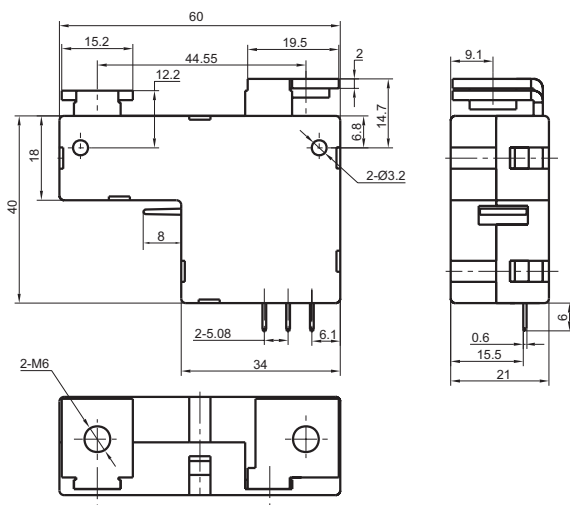
2) JE22 is an environmental friendly product. Please mark a special code (555) or (551) when ordering. (551) stands RoHS compliant with Cadmium contact; (555) stands for RoHS compliant with Cadmium-free contact.

OUTLINE DIMENSIONS, WIRING DIAGRAM AND PC BOARD LAYOUT

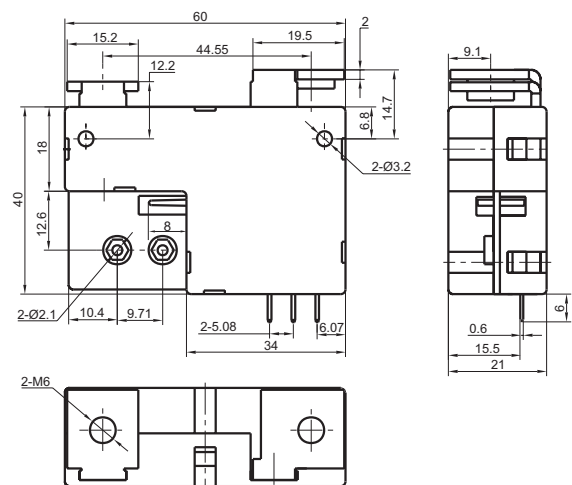
Unit: mm

Outline Dimensions

Type A contact terminal, Without micro switch



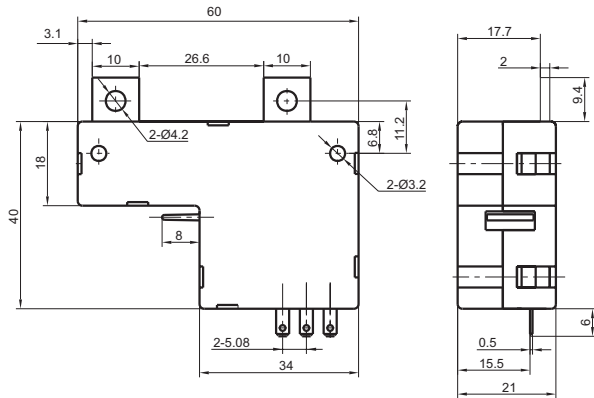
Type A contact terminal, With micro switch



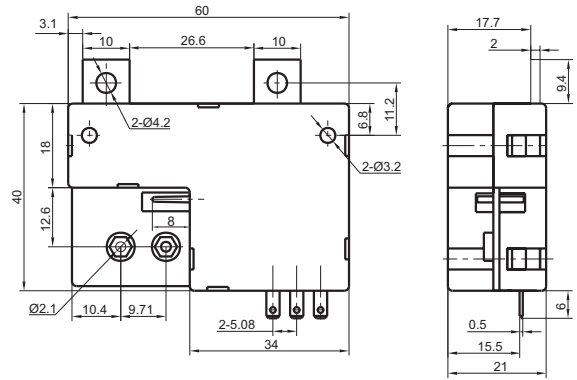
OUTLINE DIMENSIONS, WIRING DIAGRAM AND PC BOARD LAYOUT

Unit: mm

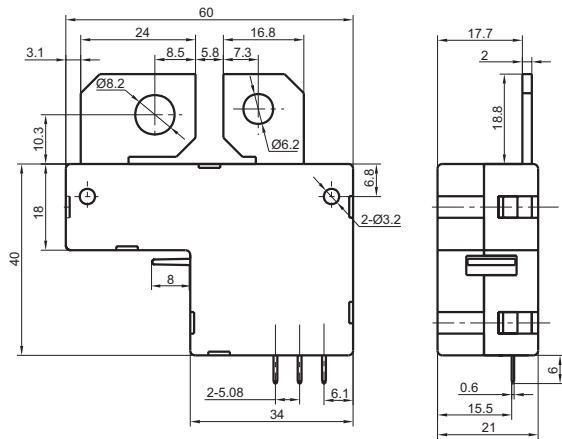
Type B contact terminal, Without micro switch



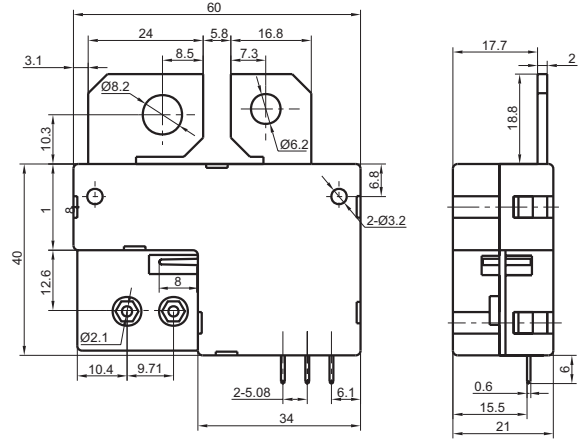
Type B contact terminal, With micro switch



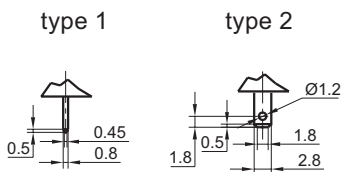
Type C contact terminal, Without micro switch



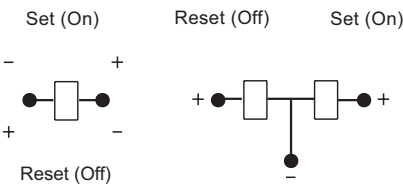
Type C contact terminal, With micro switch



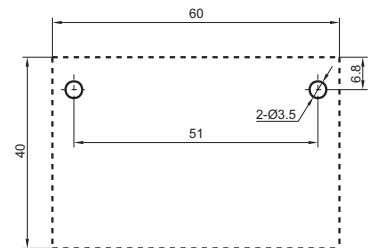
Coil Terminal Type



Coil Wiring Diagram



PCB Layout



Remark: In case of no tolerance shown in outline dimension: outline dimension $\leq 1\text{mm}$, tolerance should be $\pm 0.2\text{mm}$; outline dimension $> 1\text{mm}$ and $\leq 5\text{mm}$, tolerance should be $\pm 0.3\text{mm}$; outline dimension $> 5\text{mm}$, tolerance should be $\pm 0.4\text{mm}$.

Disclaimer

This datasheet is for the customers' reference. All the specifications are subject to change without notice. We could not evaluate all the performance and all the parameters for every possible application. Thus the user should be in a right position to choose the suitable product for their own application. If there is any query, please contact Hongfa for the technical service. However, it is the user's responsibility to determine which product should be used only.

© Xiamen Hongfa Electroacoustic Co., Ltd. All rights of Hongfa are reserved.