



actual size

Quartz Crystal · JTX520

Surface Mount Tuning Fork Crystal

Features

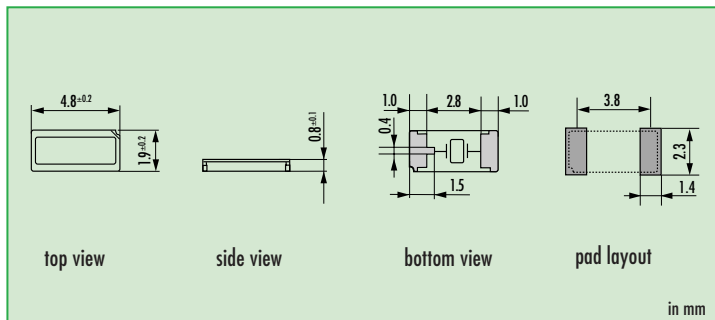
■ RoHS compliant

■ super small package

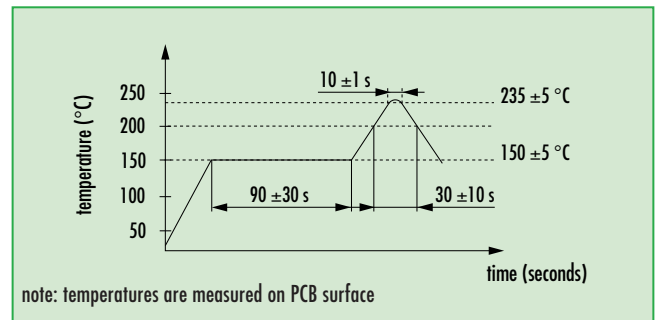
General Data

type	JTX 520
frequency	32.768 kHz std. / 30.0 ~ 153.6 kHz available
frequency tolerance at 25 °C	± 20 ppm
load capacitance C_L	12.5 pF std. / 7 ~ 12.5 pF available
parabolic curvature constant	$-0.04 \times 10^{-6} / ^\circ\text{C}^2$
frequency temperature characteristic	$f \text{ (ppm)} = -0.04 (25^\circ - T)^2$ $T = \text{requested temperature}$
operating temperature range	$-20^\circ\text{C} \sim +70^\circ\text{C}$ / $-40^\circ\text{C} \sim +85^\circ\text{C}$
storage temperature range	$-40^\circ\text{C} \sim +85^\circ\text{C}$
shunt capacitance C_0	1.3 pF typ.
series resistance (ESR)	50 k Ω typ. (80 k Ω max.)
drive level max.	1.0 $\mu\text{W} \pm 20\%$
aging max.	± 5 ppm

Dimensions



Reflow Soldering Profile



Order Information

Q	frequency in MHz	type	load capacitance in pF	stability at 25 °C in ppm	option
Quartz	0.032768 MHz std. 0.030 ~ 0.156 MHz	JTX520	12.5 pF std. 7 ~ 12.5 pF	± 20 ppm	T1 = $-40^\circ\text{C} \sim +85^\circ\text{C}$ LF = Pb free contact pins / pads

Example: Q 0.032768-JTX520-12.5-20

