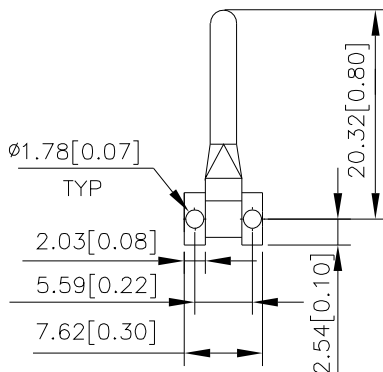
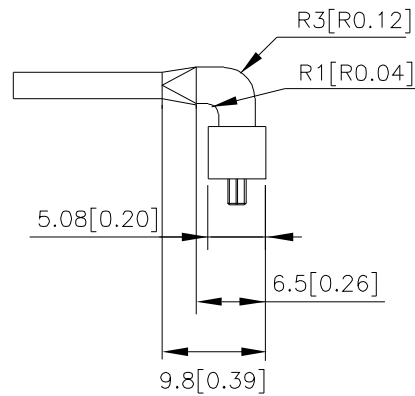
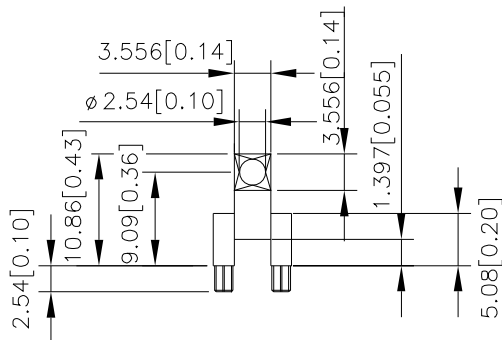


KL-02

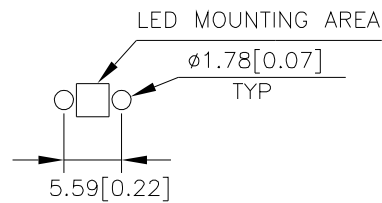
### Features

- WIDE VIEWING ANGLE.
- DESIGNED TO REPLACE RECTANGULAR RIGHT ANGLE THROUGH HOLE DEVICE.
- HIGH TRANSMISSIVITY PLYCARBONATE MATERIAL.
- UL94V-0 COMPLIANCE.
- RoHS COMPLIANT.

### Package Dimensions



\*RECOMMEDED FOOTPRINT



### Notes:

1. All dimensions are in millimeters (inches).
2. Tolerance is  $\pm 0.25 (0.01")$  unless otherwise noted.
3. Specifications are subject to change without notice.