

# 1Mx36 DRAM SIMM

(1MX16 Base)

Revision 0.0

November 1997

**Revision History**

**Version 0.0 (November 1997)**

- Changed module PCB from 6-Layer to 4-Layer.
- Changed Module Part No. from KMM5361203CW/CWG to KMM5361203C2W/C2WG caused by PCB revision .

**KMM5361203C2W/C2WG with Fast Page Mode**

1M x 36 DRAM SIMM using 1Mx16 and 1Mx4 Quad CAS, 1K Refresh

**GENERAL DESCRIPTION**

The Samsung KMM5361203C2W is a 1Mx36bits Dynamic RAM high density memory module. The Samsung KMM5361203C2W consists of two CMOS 1Mx16bits DRAMs in 42-pin SOJ package mounted and one CMOS 1Mx4bit Quad CAS DRAM in 24-pin SOJ package on a 72-pin glass-epoxy substrate. A 0.1 or 0.22uF decoupling capacitor is mounted on the printed circuit board for each DRAM. The KMM5361203C2W is a Single In-line Memory Module with edge connections and is intended for mounting into 72 pin edge connector sockets.

**PERFORMANCE RANGE**

Speed	tRAC	tCAC	tRC
-5	50ns	15ns	90ns
-6	60ns	15ns	110ns

**FEATURES**

- Part Identification
  - KMM5361203C2W(1024 cycles/16ms Ref, SOJ, Solder)
  - KMM5361203C2WG(1024 cycles/16ms Ref, SOJ, Gold)
- Fast Page Mode Operation
- $\overline{\text{CAS}}$ -before- $\overline{\text{RAS}}$  refresh capability
- $\overline{\text{RAS}}$ -only refresh capability
- TTL compatible inputs and outputs
- Single +5V±10% power supply
- JEDEC standard PDPin & pinout
- PCB : Height(750mil), single sided component

**PIN CONFIGURATIONS**

Pin	Symbol	Pin	Symbol
1	Vss	37	DQ17
2	DQ0	38	DQ35
3	DQ18	39	Vss
4	DQ1	40	$\overline{\text{CAS0}}$
5	DQ19	41	$\overline{\text{CAS2}}$
6	DQ2	42	$\overline{\text{CAS3}}$
7	DQ20	43	$\overline{\text{CAS1}}$
8	DQ3	44	$\overline{\text{RAS0}}$
9	DQ21	45	Res( $\overline{\text{RAS1}}$ )
10	Vcc	46	NC
11	NC	47	W
12	A0	48	NC
13	A1	49	DQ9
14	A2	50	DQ27
15	A3	51	DQ10
16	A4	52	DQ28
17	A5	53	DQ11
18	A6	54	DQ29
19	Res(A10)	55	DQ12
20	DQ4	56	DQ30
21	DQ22	57	DQ13
22	DQ5	58	DQ31
23	DQ23	59	Vcc
24	DQ6	60	DQ32
25	DQ24	61	DQ14
26	DQ7	62	DQ33
27	DQ25	63	DQ15
28	A7	64	DQ34
29	Res(A11)	65	DQ16
30	Vcc	66	NC
31	A8	67	PD1
32	A9	68	PD2
33	Res( $\overline{\text{RAS1}}$ )	69	PD3
34	$\overline{\text{RAS0}}$	70	PD4
35	DQ26	71	NC
36	DQ8	72	Vss

**PIN NAMES**

Pin Name	Function
A0 - A9	Address Inputs
DQ0 - DQ35	Data In/Out
$\overline{\text{W}}$	Read/Write Enable
$\overline{\text{RAS0}}$	Row Address Strobe
$\overline{\text{CAS0}}$ - $\overline{\text{CAS3}}$	Column Address Strobe
PD1 -PD4	Presence Detect
Vcc	Power(+5V)
Vss	Ground
NC	No Connection
Res	Reserved Pin

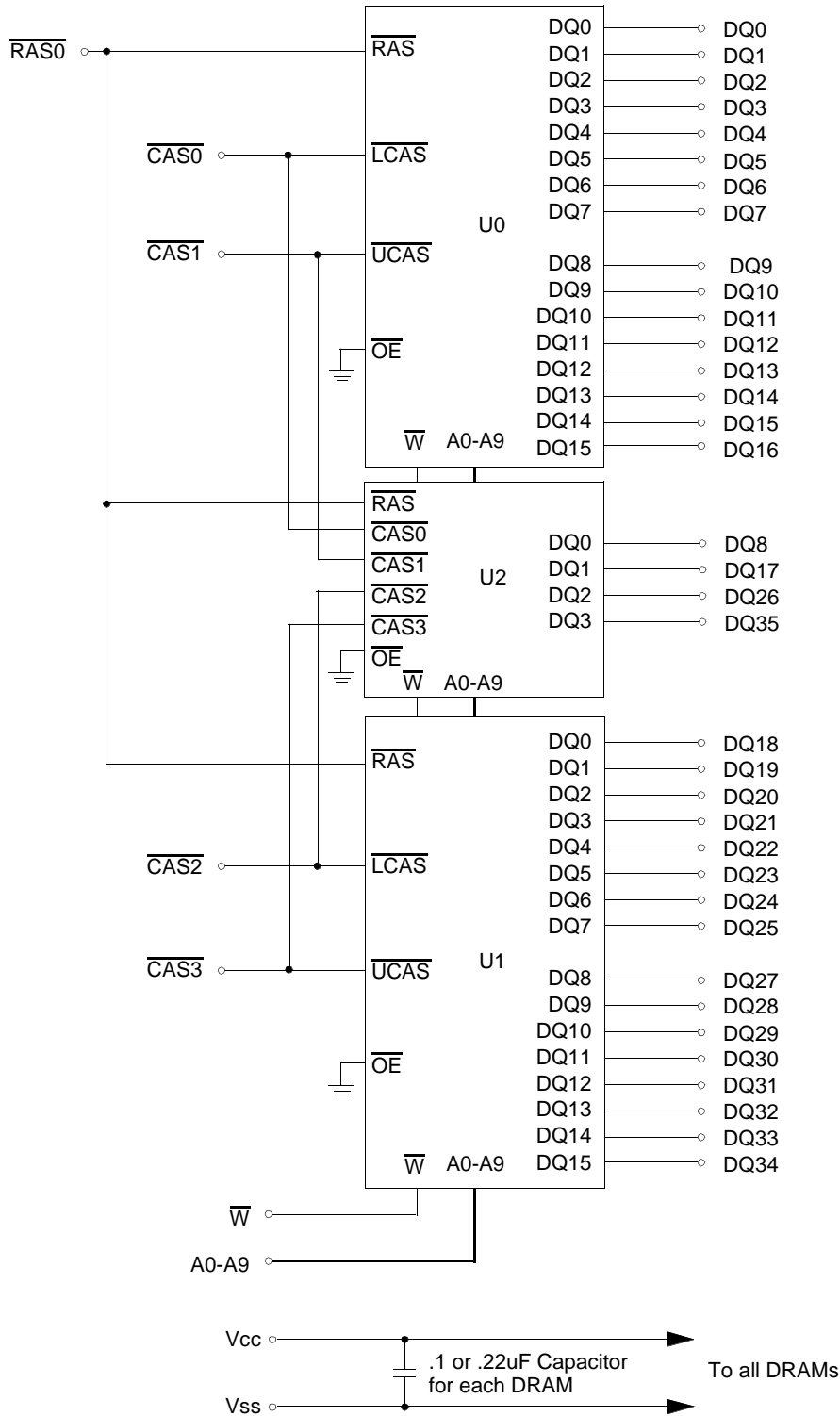
**PRESENCE DETECT PINS (Optional)**

Pin	50NS	60NS
PD1	Vss	Vss
PD2	Vss	Vss
PD3	Vss	NC
PD4	Vss	NC

\* Pin connection changing available

**SAMSUNG ELECTRONICS CO., LTD.** reserves the right to change products and specifications without notice.

FUNCTIONAL BLOCK DIAGRAM



## ABSOLUTE MAXIMUM RATINGS \*

Item	Symbol	Rating	Unit
Voltage on any pin relative to V <sub>SS</sub>	V <sub>IN</sub> , V <sub>OUT</sub>	-1 to +7.0	V
Voltage on V <sub>CC</sub> supply relative to V <sub>SS</sub>	V <sub>CC</sub>	-1 to +7.0	V
Storage Temperature	T <sub>stg</sub>	-55 to +150	°C
Power Dissipation	P <sub>d</sub>	3	W
Short Circuit Output Current	I <sub>OS</sub>	50	mA

\* Permanent device damage may occur if ABSOLUTE MAXIMUM RATINGS are exceeded. Functional operation should be restricted to the conditions as detailed in the operational sections of this data sheet. Exposure to absolute maximum rating conditions for intended periods may affect device reliability.

## RECOMMENDED OPERATING CONDITIONS (Voltage referenced to V<sub>SS</sub>, T<sub>A</sub> = 0 to 70°C)

Item	Symbol	Min	Typ	Max	Unit
Supply Voltage	V <sub>CC</sub>	4.5	5.0	5.5	V
Ground	V <sub>SS</sub>	0	0	0	V
Input High Voltage	V <sub>IH</sub>	2.4	-	V <sub>CC</sub> +1 <sup>*1</sup>	V
Input Low Voltage	V <sub>IL</sub>	-1.0 <sup>*2</sup>	-	0.8	V

\*1 : V<sub>CC</sub>+2.0V/20ns, Pulse width is measured at V<sub>CC</sub>.

\*2 : -2.0V/20ns, Pulse width is measured at V<sub>SS</sub>.

## DC AND OPERATING CHARACTERISTICS (Recommended operating conditions unless otherwise noted)

Symbol	Speed	KMM5361203C2W/C2WG		Unit
		Min	Max	
I <sub>CC1</sub>	-5	-	385	mA
	-6	-	355	mA
I <sub>CC2</sub>	Don't care	-	6	mA
I <sub>CC3</sub>	-5	-	385	mA
	-6	-	355	mA
I <sub>CC4</sub>	-5	-	245	mA
	-6	-	215	mA
I <sub>CC5</sub>	Don't care	-	3	mA
I <sub>CC6</sub>	-5	-	385	mA
	-6	-	355	mA
I <sub>I(L)</sub>	Don't care	-15	15	uA
I <sub>O(L)</sub>	Don't care	-5	5	uA
V <sub>OH</sub>	Don't care	2.4	-	V
V <sub>OL</sub>	Don't care	-	0.4	V

I<sub>CC1</sub> : Operating Current \* ( $\overline{RAS}$ ,  $\overline{LCAS}$  or  $\overline{UCAS}$ , Address cycling @ trc=min)

I<sub>CC2</sub> : Standby Current ( $\overline{RAS}=\overline{LCAS}=\overline{UCAS}=\overline{W}=V_{IH}$ )

I<sub>CC3</sub> :  $\overline{RAS}$  Only Refresh Current \* ( $\overline{LCAS}=\overline{UCAS}=V_{IH}$ ,  $\overline{RAS}$  cycling @ trc=min)

I<sub>CC4</sub> : Fast Page Mode Current \* ( $\overline{RAS}=V_{IL}$ ,  $\overline{LCAS}$  or  $\overline{UCAS}$  cycling : tPC=min)

I<sub>CC5</sub> : Standby Current ( $\overline{RAS}=\overline{LCAS}=\overline{UCAS}=\overline{W}=V_{CC}-0.2V$ )

I<sub>CC6</sub> :  $\overline{CAS}$ -Before- $\overline{RAS}$  Refresh Current \* ( $\overline{RAS}$  and  $\overline{CAS}$  cycling @ trc=min)

I<sub>I(L)</sub> : Input Leakage Current (Any input  $0 \leq V_{IN} \leq V_{CC}+0.5V$ , all other pins not under test=0 V)

I<sub>O(L)</sub> : Output Leakage Current(Data Out is disabled,  $0V \leq V_{OUT} \leq V_{CC}$ )

V<sub>OH</sub> : Output High Voltage Level (I<sub>OH</sub> = -5mA)

V<sub>OL</sub> : Output Low Voltage Level (I<sub>OL</sub> = 4.2mA)

\* **NOTE** : I<sub>CC1</sub>, I<sub>CC3</sub>, I<sub>CC4</sub> and I<sub>CC6</sub> are dependent on output loading and cycle rates. Specified values are obtained with the output open. I<sub>CC</sub> is specified as an average current. In I<sub>CC1</sub> and I<sub>CC3</sub>, address can be changed maximum once while  $\overline{RAS}=V_{IL}$ . In I<sub>CC4</sub>, address can be changed maximum once within one page mode cycle, tPC.

## CAPACITANCE (TA = 25°C, VCC=5V, f = 1MHz)

Item	Symbol	Min	Max	Unit
Input capacitance[A0-A9]	CIN1	-	30	pF
Input capacitance[ $\overline{W}$ ]	CIN2	-	40	pF
Input capacitance[ $\overline{RAS0}$ ]	CIN3	-	30	pF
Input capacitance[ $\overline{CAS0}$ - $\overline{CAS3}$ ]	CIN4	-	25	pF
Input/Output capacitance[DQ0-35]	CDQ	-	20	pF

## AC CHARACTERISTICS (0°C ≤ TA ≤ 70°C, VCC=5.0V ± 10%. See notes 1,2.)

Test condition :  $V_{ih}/V_{il}=2.4/0.8V$ ,  $V_{oh}/V_{ol}=2.4/0.4V$ , Output loading  $CL=100pF$

Parameter	Symbol	-5		-6		Unit	Note
		Min	Max	Min	Max		
Random read or write cycle time	tRC	90		110		ns	
Access time from $\overline{RAS}$	tRAC		50		60	ns	3,4
Access time from $\overline{CAS}$	tCAC		15		15	ns	3,4,5
Access time from column address	tAA		25		30	ns	3,10
$\overline{CAS}$ to output in Low-Z	tCLZ	0		0		ns	3
Output buffer turn-off delay	tOFF	0	13	0	15	ns	6
Transition time(rise and fall)	tT	3	50	3	50	ns	2
$\overline{RAS}$ precharge time	tRP	30		40		ns	
$\overline{RAS}$ pulse width	tRAS	50	10K	60	10K	ns	
$\overline{RAS}$ hold time	tRSH	13		15		ns	
$\overline{CAS}$ hold time	tCSH	50		60		ns	
$\overline{CAS}$ pulse width	tCAS	13	10K	15	10K	ns	
$\overline{RAS}$ to $\overline{CAS}$ delay time	tRCD	20	37	20	45	ns	4
$\overline{RAS}$ to column address delay time	tRAD	15	25	15	30	ns	10
$\overline{CAS}$ to $\overline{RAS}$ precharge time	tCRP	5		5		ns	
Row address set-up time	tASR	0		0		ns	
Row address hold time	tRAH	10		10		ns	
Column address set-up time	tASC	0		0		ns	
Column address hold time	tCAH	10		10		ns	
Column address to $\overline{RAS}$ lead time	tRAL	25		30		ns	
Read command set-up time	tRCS	0		0		ns	
Read command hold referenced to $\overline{CAS}$	tRCH	0		0		ns	8
Read command hold referenced to $\overline{RAS}$	tRRH	0		0		ns	8
Write command hold time	tWCH	10		10		ns	
Write command pulse width	tWP	10		10		ns	
Write command to $\overline{RAS}$ lead time	tRWL	13		15		ns	
Write command to $\overline{CAS}$ lead time	tCWL	13		15		ns	
Data-in set-up time	tDS	0		0		ns	9
Data-in hold time	tDH	10		10		ns	9
Refresh period	tREF		16		16	ms	
Write command set-up time	tWCS	0		0		ns	7
$\overline{CAS}$ setup time( $\overline{CAS}$ -before- $\overline{RAS}$ refresh)	tCSR	5		5		ns	
$\overline{CAS}$ hold time( $\overline{CAS}$ -before- $\overline{RAS}$ refresh)	tCHR	10		10		ns	
$\overline{RAS}$ precharge to $\overline{CAS}$ hold time	tRPC	5		5		ns	
Access time from $\overline{CAS}$ precharge	tCPA		30		35	ns	3

## AC CHARACTERISTICS (0°C ≤ T<sub>A</sub> ≤ 70°C, V<sub>CC</sub> = 5.0V ± 10%. See notes 1,2.)

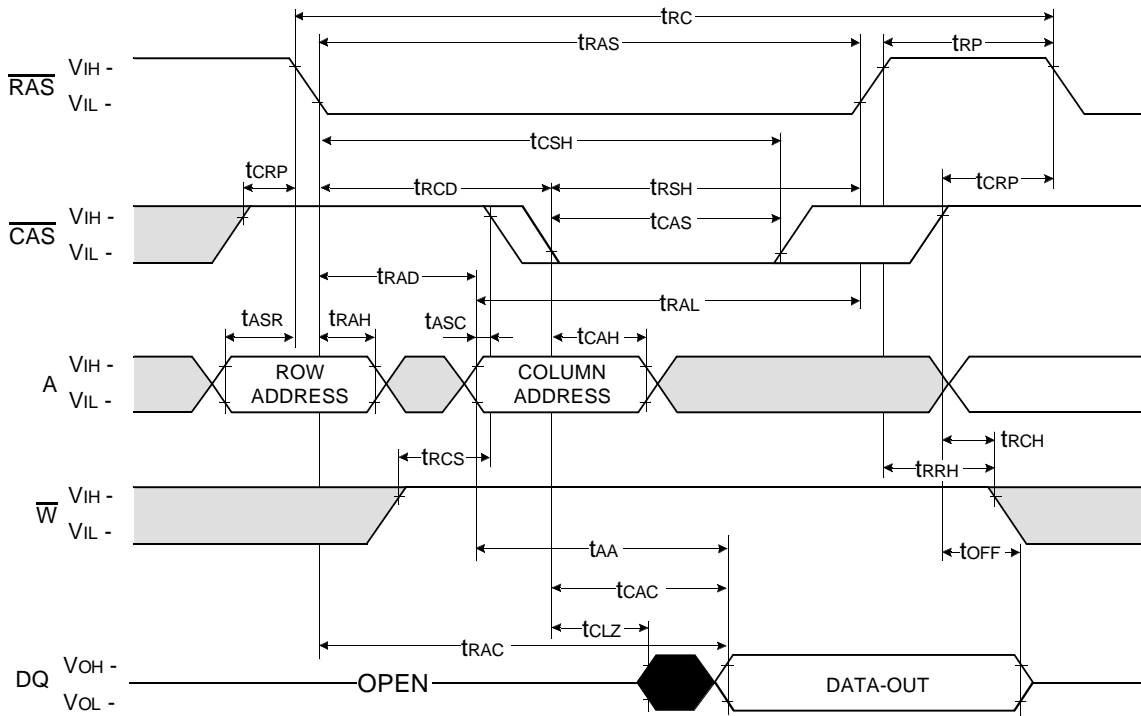
Test condition : V<sub>Ih</sub>/V<sub>Il</sub> = 2.4/0.8V, V<sub>Oh</sub>/V<sub>Ol</sub> = 2.4/0.4V, Output loading C<sub>L</sub> = 100pF

Parameter	Symbol	-5		-6		Unit	Note
		Min	Max	Min	Max		
Fast page mode cycle time	t <sub>PC</sub>	35		40		ns	
$\overline{\text{CAS}}$ precharge time(Fast page cycle)	t <sub>CP</sub>	10		10		ns	
$\overline{\text{RAS}}$ pulse width(Fast page cycle)	t <sub>RASP</sub>	50	200K	60	200K	ns	
$\overline{\text{W}}$ to $\overline{\text{RAS}}$ precharge time(C-B-R refresh)	t <sub>WRP</sub>	10		10		ns	
$\overline{\text{W}}$ to $\overline{\text{RAS}}$ hold time(C-B-R refresh)	t <sub>WRH</sub>	10		10		ns	
Hold time $\overline{\text{CAS}}$ low to $\overline{\text{CAS}}$	t <sub>CLCH</sub>	20		5		ns	11

## NOTES

- An initial pause of 200us is required after power-up followed by any 8  $\overline{\text{RAS}}$ -only or  $\overline{\text{CAS}}$ -before- $\overline{\text{RAS}}$  refresh cycles before proper device operation is achieved.
- V<sub>Ih</sub>(min) and V<sub>Il</sub>(max) are reference levels for measuring timing of input signals. Transition times are measured between V<sub>Ih</sub>(min) and V<sub>Il</sub>(max) and are assumed to be 5ns for all inputs.
- Measured with a load equivalent to 2 TTL loads and 100pF.
- Operation within the t<sub>RCd</sub>(max) limit insures that t<sub>RAc</sub>(max) can be met. t<sub>RCd</sub>(max) is specified as a reference point only. If t<sub>RCd</sub> is greater than the specified t<sub>RCd</sub>(max) limit, then access time is controlled exclusively by t<sub>CAC</sub>.
- Assumes that t<sub>RCd</sub> ≥ t<sub>RCd</sub>(max).
- This parameter defines the time at which the output achieves the open circuit condition and is not referenced to V<sub>OH</sub> or V<sub>OL</sub>.
- t<sub>WCS</sub> is non-restrictive operating parameter. It is included in the data sheet as electrical characteristics only. If t<sub>WCS</sub> ≥ t<sub>WCS</sub>(min), the cycle is an early write cycle and the data out pin will remain high impedance for the duration of the cycle.
- Either t<sub>RCH</sub> or t<sub>RRH</sub> must be satisfied for a read cycle.
- These parameter are referenced to the  $\overline{\text{CAS}}$  leading edge in early write cycles.
- Operation within the t<sub>RAD</sub>(max) limit insures that t<sub>RAc</sub>(max) can be met. t<sub>RAD</sub>(max) is specified as reference point only. If t<sub>RAD</sub> is greater than the specified t<sub>RAD</sub>(max) limit, then access time is controlled by t<sub>AA</sub>.
- In order to hold the address latched by the first  $\overline{\text{CAS}}$  going low, the parameter t<sub>CLCH</sub> must be met.

READ CYCLE

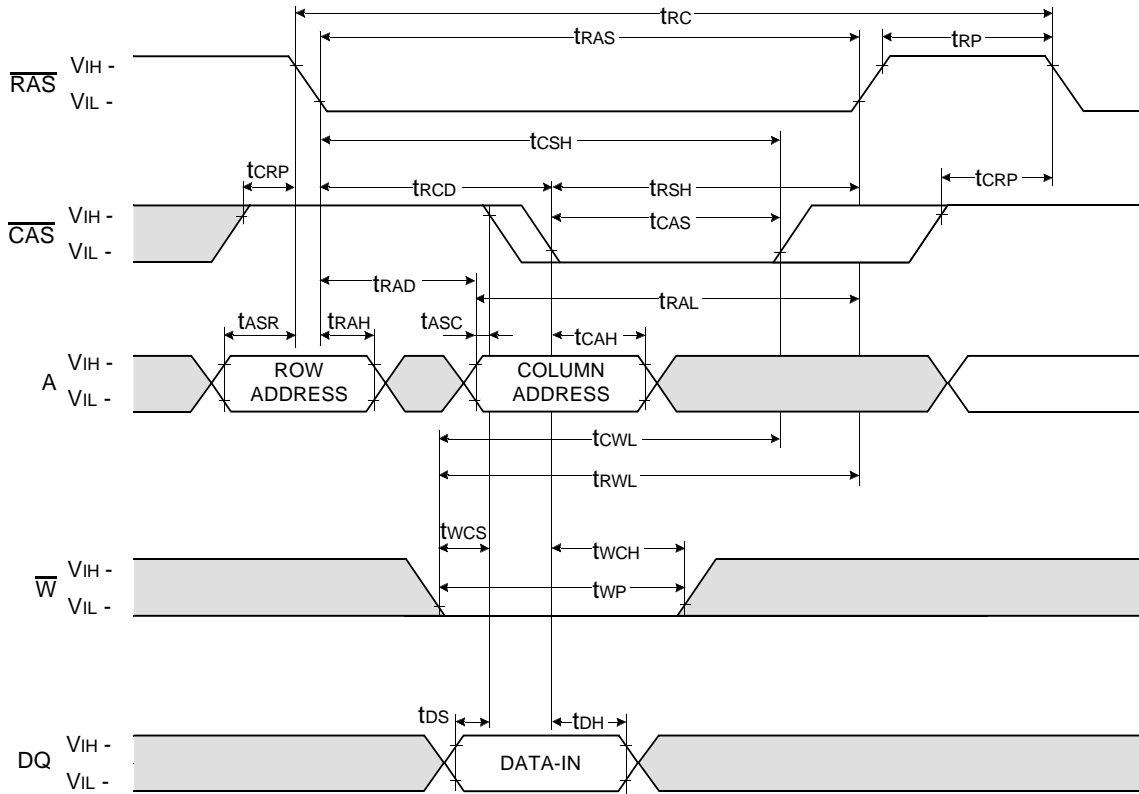


Don't care  
 Undefined



WRITE CYCLE ( EARLY WRITE )

NOTE : DOUT = OPEN

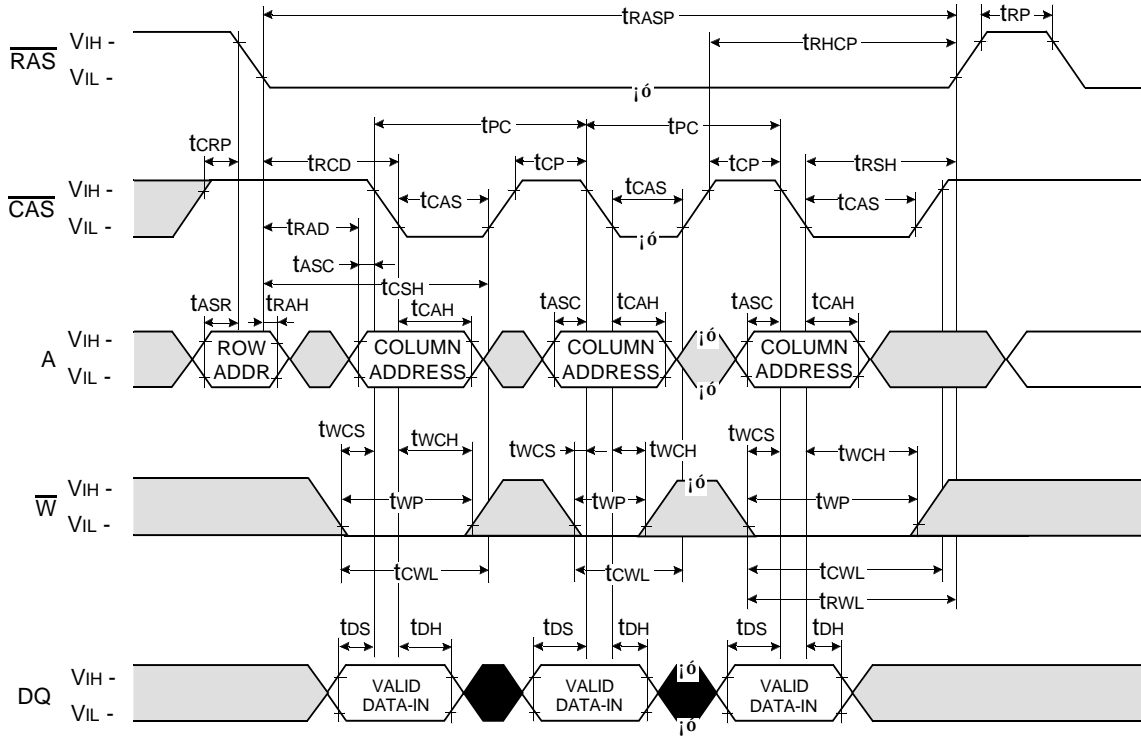


Don't care  
 Undefined



**FAST PAGE WRITE CYCLE ( EARLY WRITE )**

NOTE : DOUT = OPEN

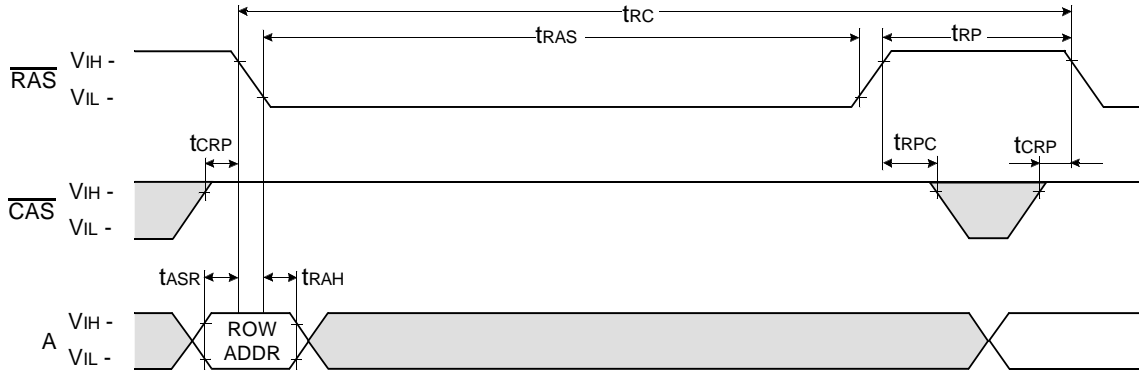


Don't care  
 Undefined

**$\overline{\text{RAS}}$  - ONLY REFRESH CYCLE**

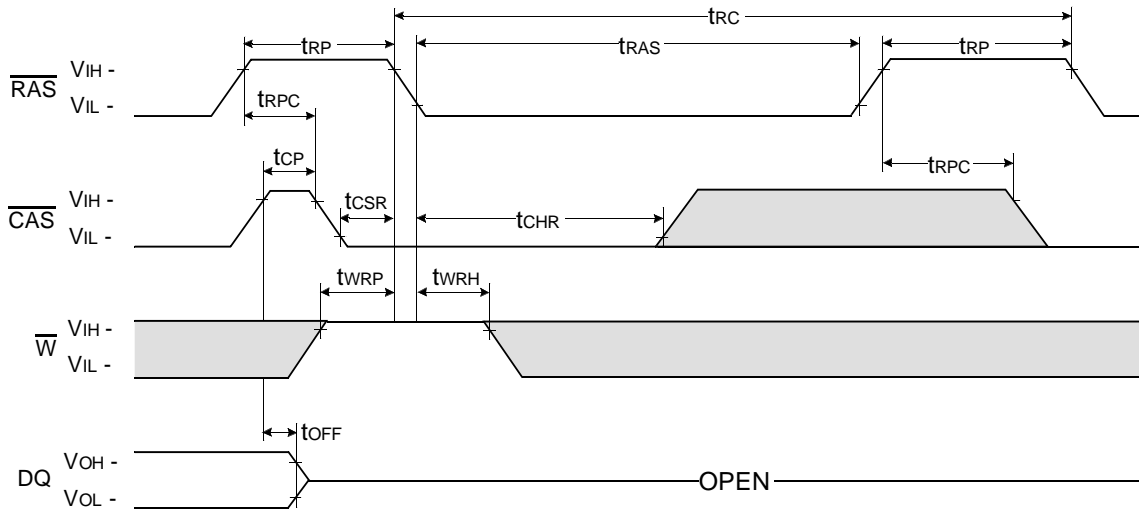
NOTE :  $\overline{\text{W}}$ ,  $\overline{\text{OE}}$ , DIN = Don't care

DOUT = OPEN



**$\overline{\text{CAS}}$  - BEFORE -  $\overline{\text{RAS}}$  REFRESH CYCLE**

NOTE :  $\overline{\text{OE}}$ , A = Don't care

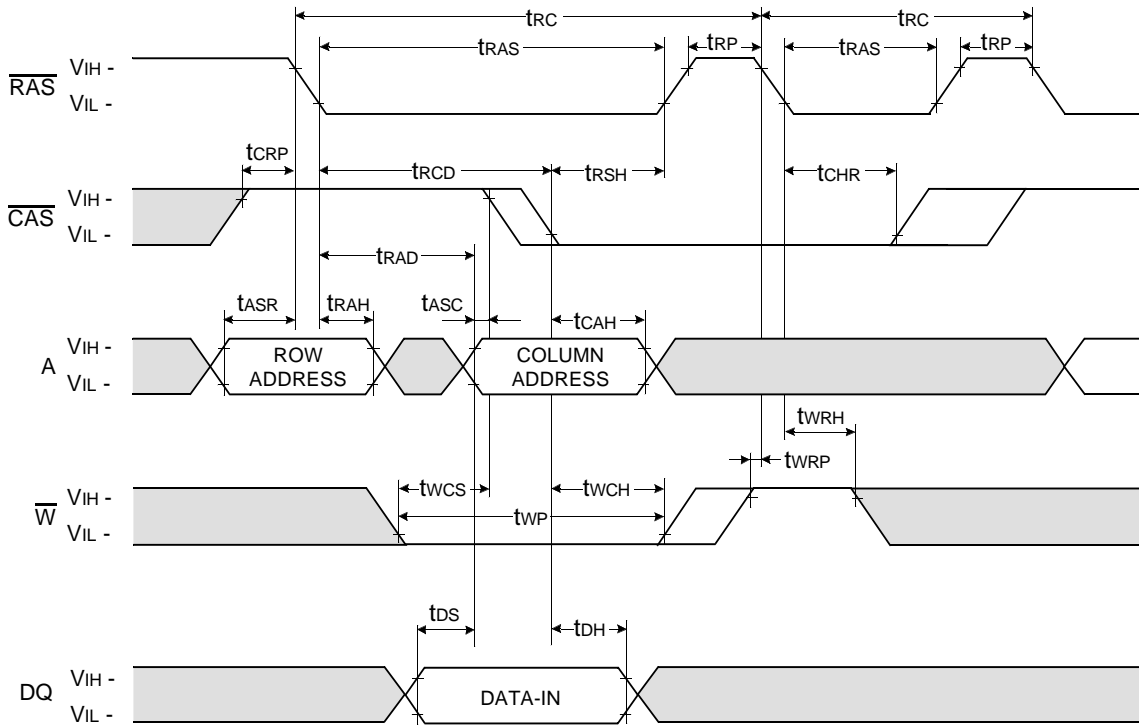


□ Don't care  
 ■ Undefined



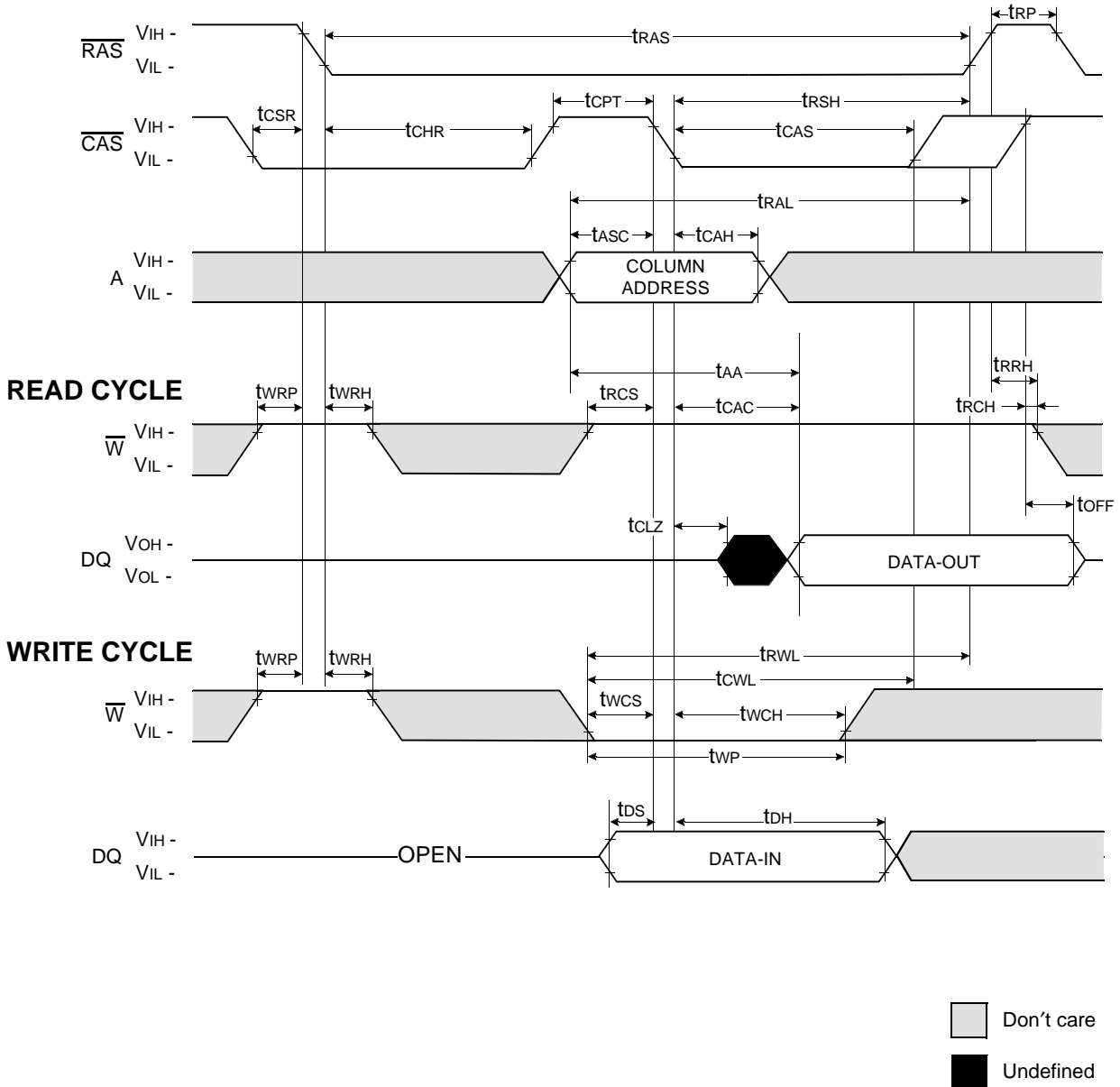
**HIDDEN REFRESH CYCLE ( WRITE )**

NOTE : DOUT = OPEN



Don't care  
 Undefined

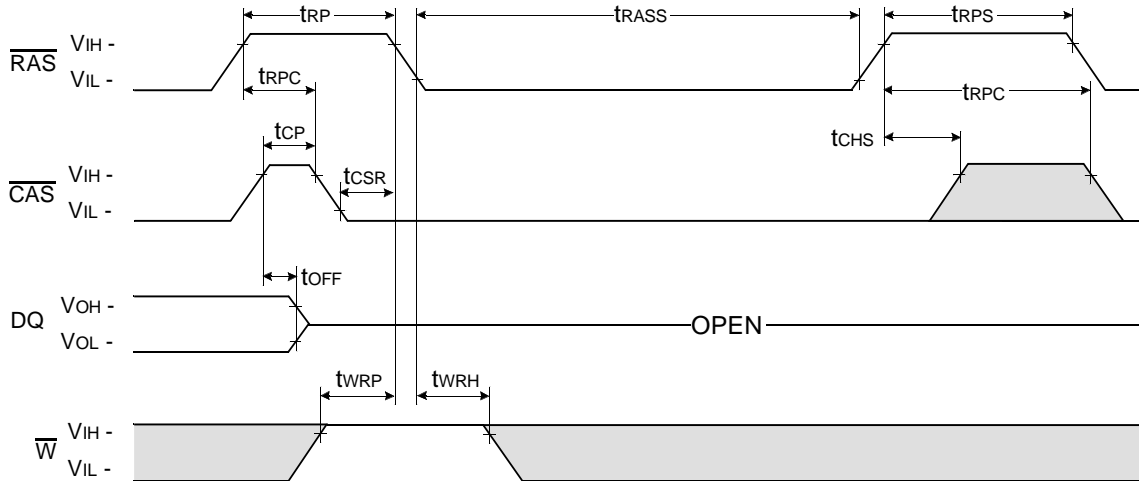
**CAS-BEFORE-RAS REFRESH COUNTER TEST CYCLE**



NOTE : This timing diagram is applied to all devices besides 16M DRAM 4th & 64M DRAM.

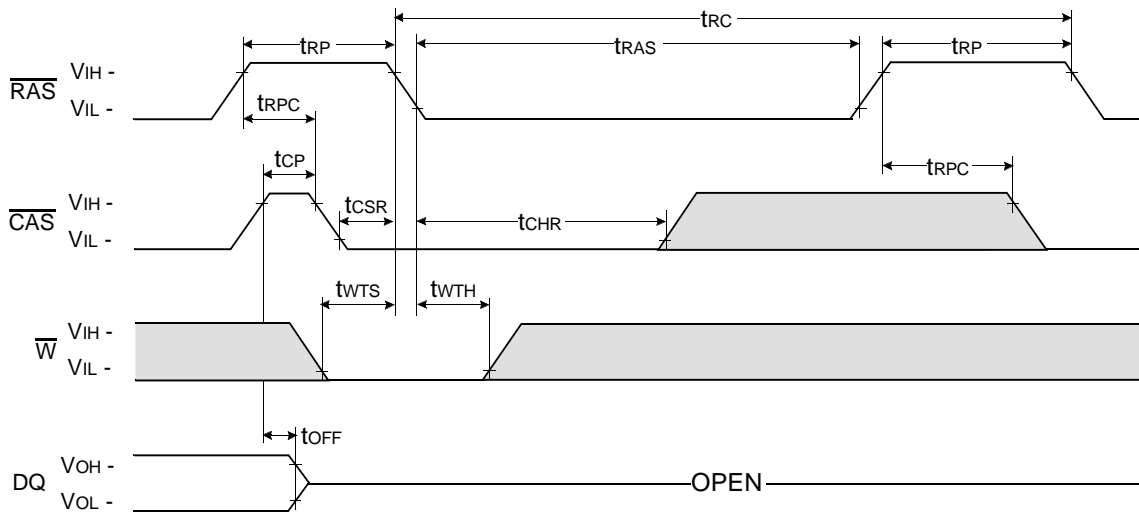
**CAS - BEFORE - RAS SELF REFRESH CYCLE**

NOTE :  $\overline{OE}$ , A = Don't care



**TEST MODE IN CYCLE**

NOTE :  $\overline{OE}$ , A = Don't care



□ Don't care  
 ■ Undefined

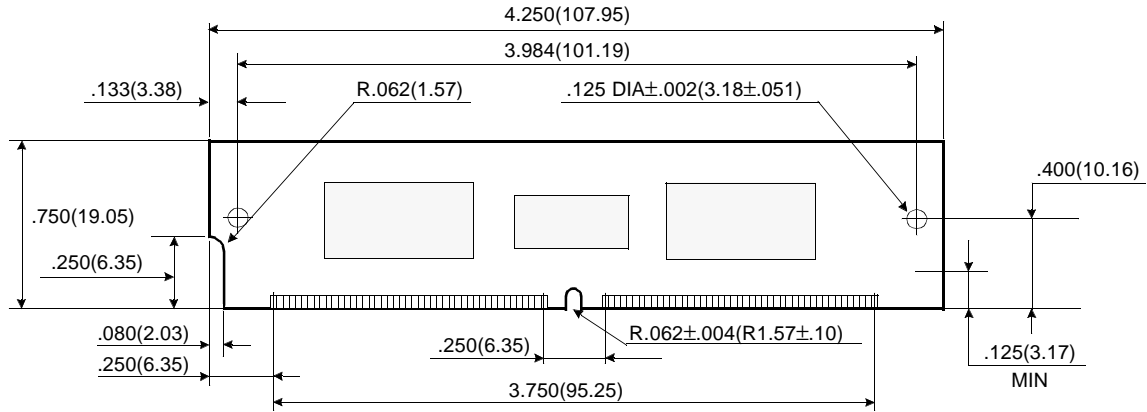


# DRAM MODULE

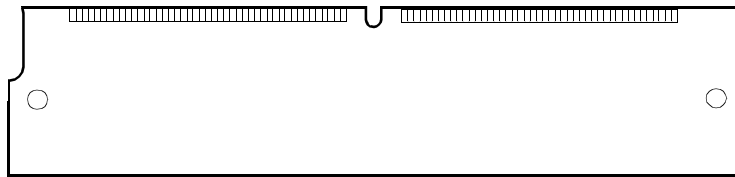
# KMM5361203C2W/C2WG

## PACKAGE DIMENSIONS

Units : Inches (millimeters)

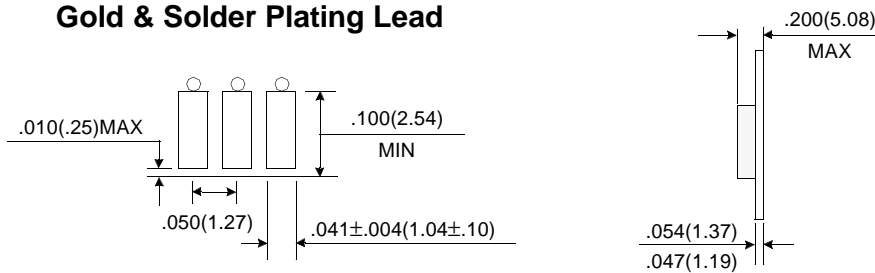


( Front view )



( Back view )

### Gold & Solder Plating Lead



Tolerances :  $\pm 0.005$  (.13) unless otherwise specified

NOTE : The used device is 1Mx16 DRAM and 1Mx4 Quad CAS DRAM  
 DRAM Part No. : KMM5361203C2W/C2WG -- KM416C1200CJ (400 mil)  
 -- KM44C1003DJ (300 mil)

Revision History  
 Rev 0.0 : Nov. 1997