

KVCB1 - 8512

VCSEL, or Vertical Cavity Surface Emitting Laser, is a semiconductor microlaser diode that emits light in a cylindrical beam vertically from the surface of a fabricated wafer.

FEATURES

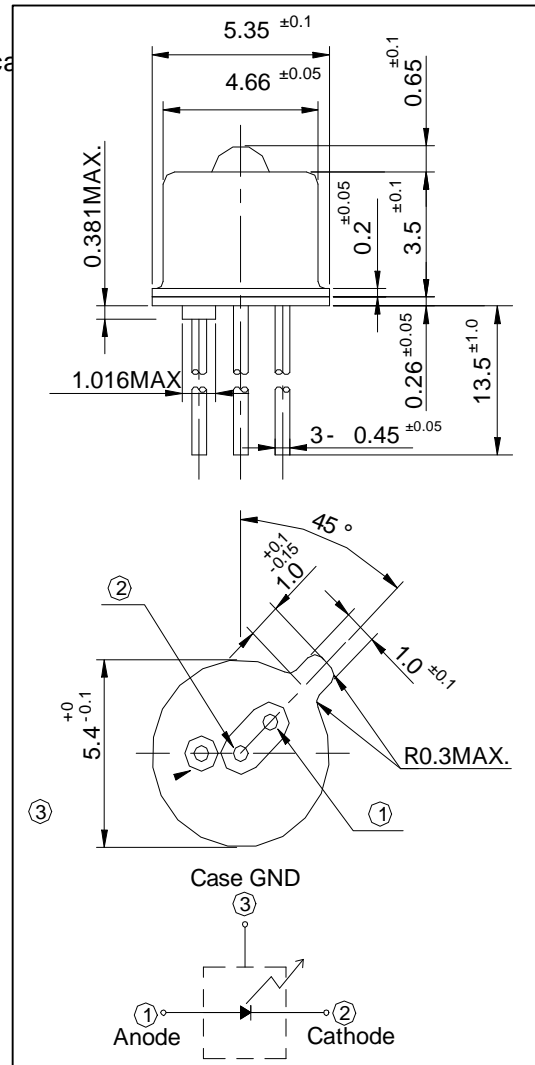
- 850nm wavelength range
- High data rate 2.5Gbps
- High reliability
- Low current and voltage
- Other configurations available on request

APPLICATIONS

- Fiber optic data links
- Proximity Sensors
- Encoders
- Laser range finders
- Laser printing
- Bar code scanning
- Optical storage

DIMENSIONS

Unit:(mm)



ABSOLUTE MAXIMUM RATINGS

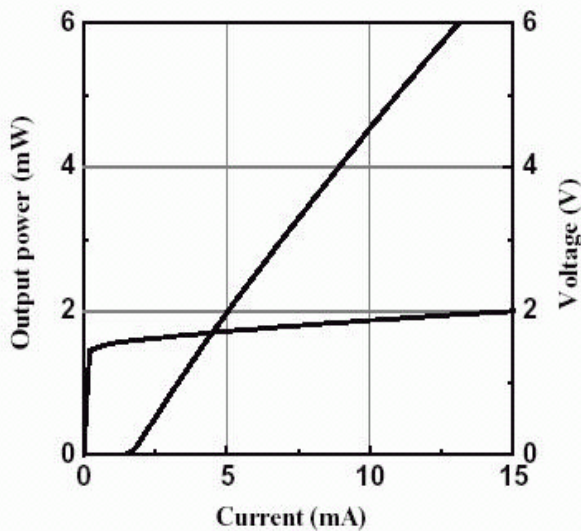
Item	Symbol	Ratings	Unit
Operating Temperature	T _{opr.}	0~+70	
Storage Temperature	T _{stg.}	-40~+100	
Lead Solder Temperature (10sec)	T _{sol}	260	
Continuous Forward Current	I _F	10	mA
Continuous Reverse Voltage	V _R	5	V

KVCB1 - 8512

ELECTRO-OPTICAL CHARACTERISTICS

Parameter	Symbol	Min	Typ	Max	Unit	Test Conditions
Threshold Current	I_{th}		1.5	3	mA	CW
I_{th} Temperature Variation	I_{th}		1		mA	$T_a=0$ to 70
Slope Efficiency		0.3	0.5	0.7	mW/mA	$I_F=6$ mA
Temperature Coefficient	/ T		-0.5		%/	$T_a=0$ to 70 at 6mA
Optical Output Power	P_o		2.5		mW	$I_F=6$ mA
Peak Wavelength	ρ	840	850	860	nm	$I_F=6$ mA
ρ Temperature Coefficient	ρ/ T		0.06		nm/	$T_a=0$ to 70 at 6mA
Spectral Bandwidth			0.5	0.85	nm	$I_F=6$ mA
Beam Divergence		5	10	15	°	$P_o=1.5$ mW, Full Width, $1/e^2$
Forward Voltage	V_f		1.8	2.2	V	$I_F=6$ mA
Breakdown Voltage	V_b		-10		V	
Dynamic Resistance	R_d	25	35	55		$I_F=6$ mA

L-I-V Curve



2.5Gbps Eye Diagram

