

L-1334IT HIGH EFFICIENCY RED	L-1334Gx GREEN
L-1334EC HIGH EFFICIENCY RED	L-1334Nx PURE ORANGE
L-1334SRx SUPER BRIGHT RED	L-1334PGx PURE GREEN
L-1334SGx SUPER BRIGHT GREEN	L-1334Yx YELLOW

### Features

- WIDE VIEWING ANGLE.
- LOW POWER CONSUMPTION.
- RELIABLE AND RUGGED.
- LONG LIFE-SOLID STATE RELIABILITY.

### Description

The High Efficiency Red source color devices are made with Gallium Arsenide Phosphide on Gallium Phosphide Orange Light Emitting Diode.

The Green and Super Bright Green source color devices are made with Gallium Phosphide Green Light Emitting Diode.

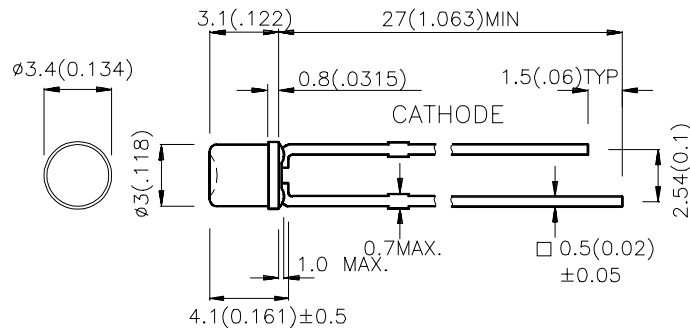
The Yellow source color devices are made with Gallium Arsenide Phosphide on Gallium Phosphide Yellow Light Emitting Diode.

The Super Bright Red source color devices are made with Gallium Aluminum Arsenide Red Light Emitting Diode.

The Pure Green source color devices are made with Gallium Phosphide Pure Green Light Emitting Diode.

The Pure Orange source color devices are made with Gallium Arsenide Phosphide on Gallium Phosphide Pure Orange Light Emitting Diode.

### Package Dimensions



#### Notes:

1. All dimensions are in millimeters (inches).
2. Tolerance is  $\pm 0.25(0.01)$  unless otherwise noted.
3. Lead spacing is measured where the lead emerge package.
4. Specifications are subject to change without notice.

## Selection Guide

Part No.	Dice	Lens Type	Iv (mcd) @ 10 mA *20 mA		Viewing Angle
			Min.	Typ.	
L-1334IT	HIGH EFFICIENCY RED (GaAsP/GaP)	RED TRANS.	3	5	130°
L-1334EC	HIGH EFFICIENCY RED (GaAsP/GaP)	WATER CLEAR	3	5	130°
L-1334GT	GREEN (GaP)	GREEN TRANS.	2	6	130°
L-1334GC	GREEN (GaP)	WATER CLEAR	2	6	130°
L-1334YT	YELLOW (GaAsP/GaP)	YELLOW TRANS.	1	3	130°
L-1334YC	YELLOW (GaAsP/GaP)	WATER CLEAR	1	3	130°
L-1334SGT	SUPER BRIGHT GREEN (GaP)	GREEN TRANS.	*5	*10	130°
L-1334SGC	SUPER BRIGHT GREEN (GaP)	WATER CLEAR	*5	*10	130°
L-1334SRC	SUPER BRIGHT RED (GaAlAs)	WATER CLEAR	*20	*60	130°
L-1334SRT		RED TRANSPARENT	*20	*60	130°
L-1334SRWT		WHITE DIFFUSED	*20	*50	130°
L-1334NT	PURE ORANGE (GaAsP/GaP)	ORANGE TRANS.	3	8	130°
L-1334NC	PURE ORANGE (GaAsP/GaP)	WATER CLEAR	3	8	130°
L-1334PGT	PURE GREEN (GaP)	GREEN TRANS.	0.7	1.5	130°
L-1334PGC	PURE GREEN (GaP)	WATER CLEAR	0.7	1.5	130°

Notes:

1.  $\theta_{1/2}$  is the angle from optical centerline where the luminous intensity is 1/2 the optical centerline value.
2. \* Luminous intensity with asterisk is measured at 20mA.

## Absolute Maximum Ratings at $T_A=25^\circ\text{C}$

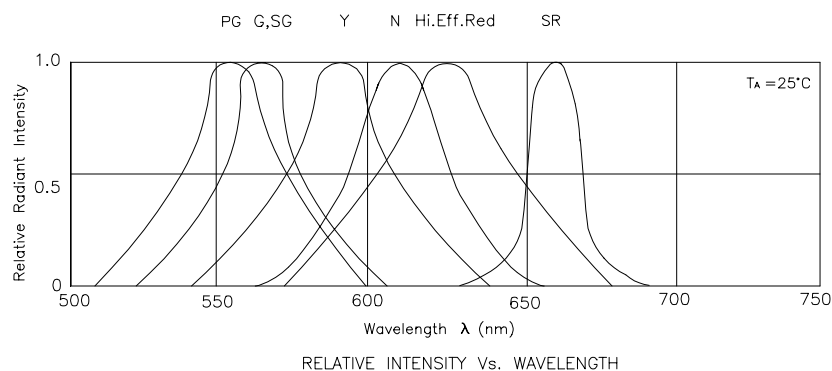
Parameter	High Efficiency Red	Green	Yellow	Super Bright Red	Super Bright Green	Pure Orange	Pure Green	Units
Power dissipation	105	105	105	100	105	105	105	mW
DC Forward Current	30	25	30	30	25	30	25	mA
Peak Forward Current [1]	160	140	140	155	140	145	135	mA
Reverse Voltage	5	5	5	5	5	5	5	V
Operating/Storage Temperature	-40°C To +85°C							
Lead Solder Temperature [2]	260°C For 5 Seconds							

Notes:

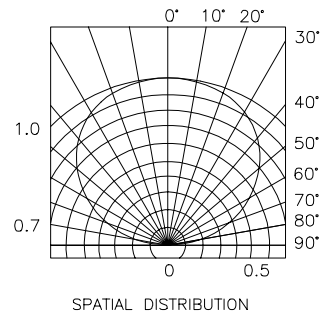
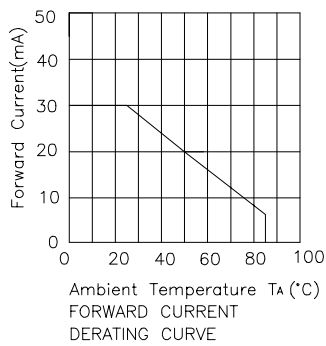
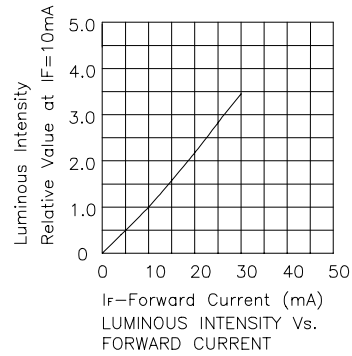
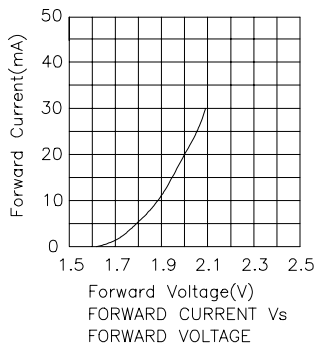
1. 1/10 Duty Cycle, 0.1ms Pulse Width.
2. 4mm below package base.

## Electrical / Optical Characteristics at T<sub>A</sub>=25°C

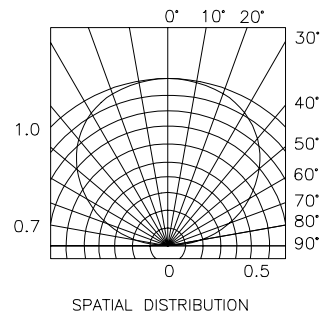
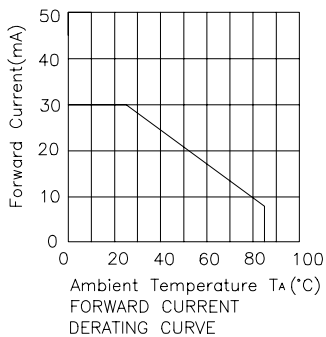
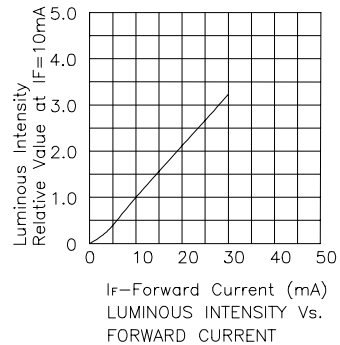
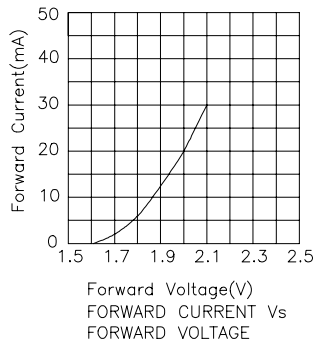
Symbol	Parameter	Device	Typ.	Max.	Units	Test Conditions
$\lambda_{peak}$	Peak Wavelength	High Efficiency Red Green Yellow Super Bright Red Super Bright Green Pure Orange Pure Green	627 565 590 660 565 607 555		nm	IF=20mA
$\lambda_D$	Dominate Wavelength	High Efficiency Red Green Yellow Super Bright Red Super Bright Green Pure Orange Pure Green	625 568 588 640 568 610 555		nm	IF=20mA
$\Delta\lambda_{1/2}$	Spectral Line Halfwidth	High Efficiency Red Green Yellow Super Bright Red Super Bright Green Pure Orange Pure Green	45 30 35 20 30 35 30		nm	IF=20mA
C	Capacitance	High Efficiency Red Green Yellow Super Bright Red Super Bright Green Pure Orange Pure Green	15 15 20 45 15 15 45		pF	VF=0V;f=1MHz
V <sub>F</sub>	Forward Voltage	High Efficiency Red Green Yellow Super Bright Red Super Bright Green Pure Orange Pure Green	2.0 2.2 2.1 1.85 2.2 2.05 2.25	2.5 2.5 2.5 2.5 2.5 2.5 2.5	V	IF=20mA
I <sub>R</sub>	Reverse Current	All		10	uA	VR = 5V



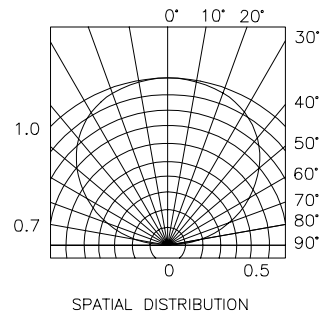
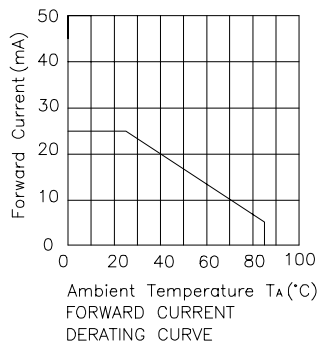
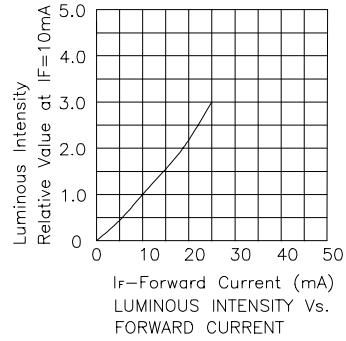
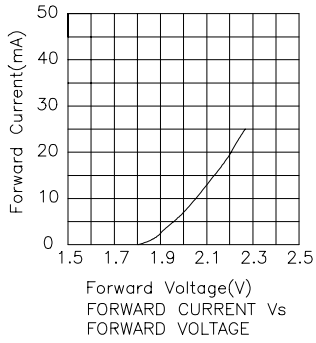
## High Efficiency Red L-1334IT



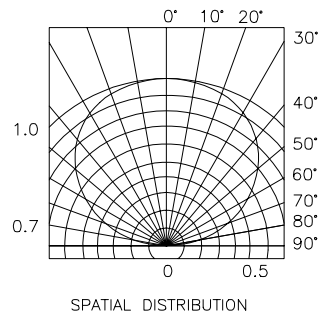
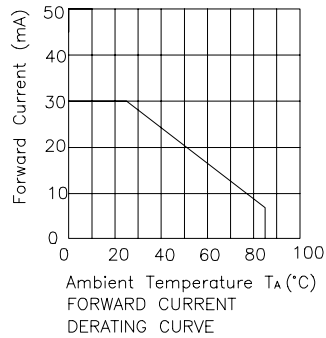
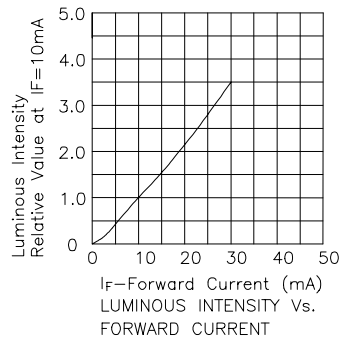
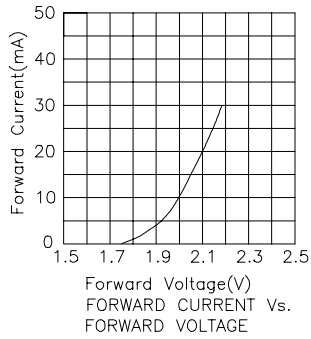
## High Efficiency Red L-1334EC



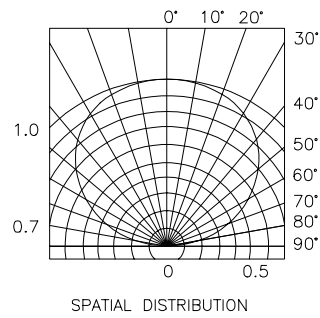
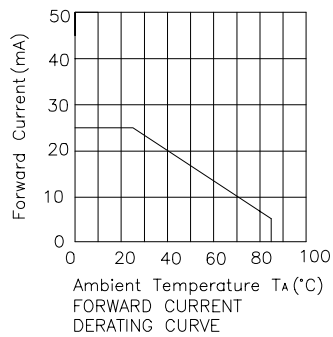
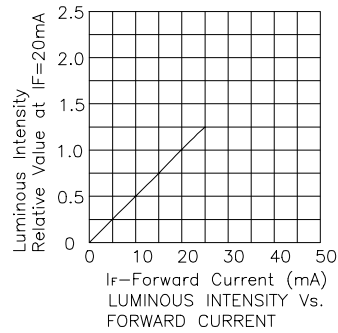
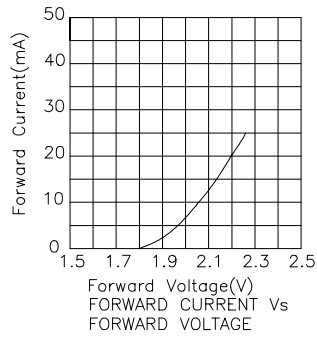
## Green L-1334GC,L-1334GT



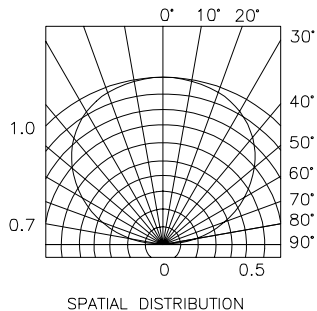
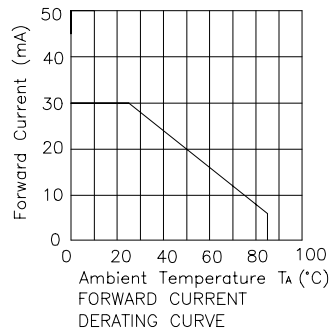
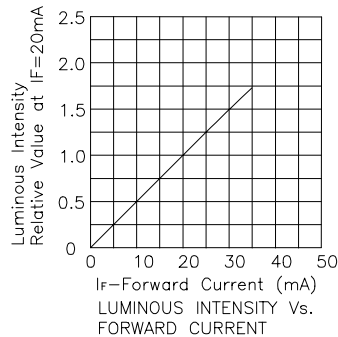
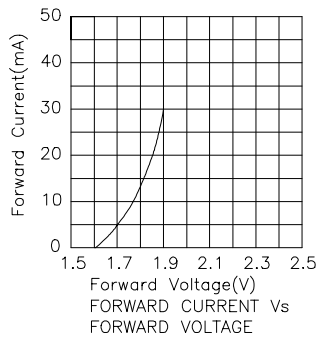
## Yellow L-1334YC,L-1334YT



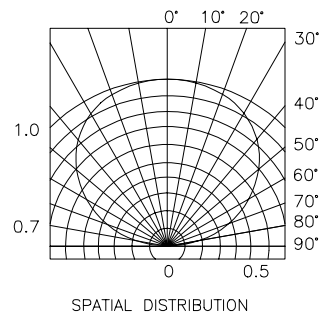
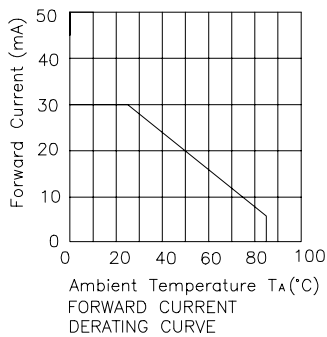
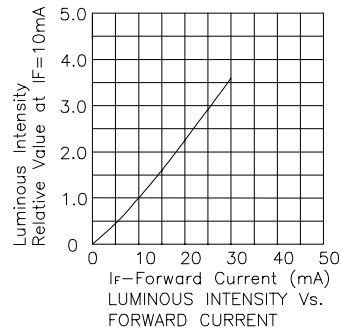
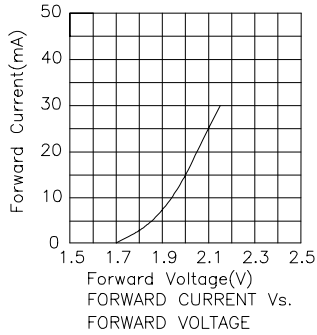
## Super Bright Green L-1334SGC,L-1334SGT



## Super Bright Red L-1334SRT,L-1334SRC,L-1334SRWT



## Pure Orange L-1334NC,L-1334NT



## Pure Green L-1334PGC,L-1334PGT

