

# MICRO

ELECTRONICS

L72CB/1Y1GDA  
L72CB/1Y1GDA-L  
L72CB/1Y1GDA-2L

RIGHT ANGLE  
LED LAMPS

## FEATURES

Ideal for card edge status indication  
Option for different color LED  
Package allows flush seating on a PCB boards

## DESCRIPTION

L72CB/1Y1GDA series are right angle dual LED unit that incorporates two different color tinted diffused T-1 3/4 LED lamp in a black plastic housing. The yellow LED lamp is located at left hand side and green at the right.

## OPTIONS

LED lamp are available in standard red, high efficiency red, GaAlAs ultra-bright red, yellow or green.

ABSOLUTE MAXIMUM RATINGS	YELLOW	GREEN	UNIT
Power Dissipation @ Ta=25°C	60	90	mW
Forward Current, DC (IF)	20	30	mA
Reverse Voltage	5	5	V
Operating & Storage Temperature Range	-55 to +85		°C
Lead Soldering Temperature (1/16" from body, 5 seconds)	260		°C

## ELECTRO-OPTICAL CHARACTERISTICS (Ta=25°C)

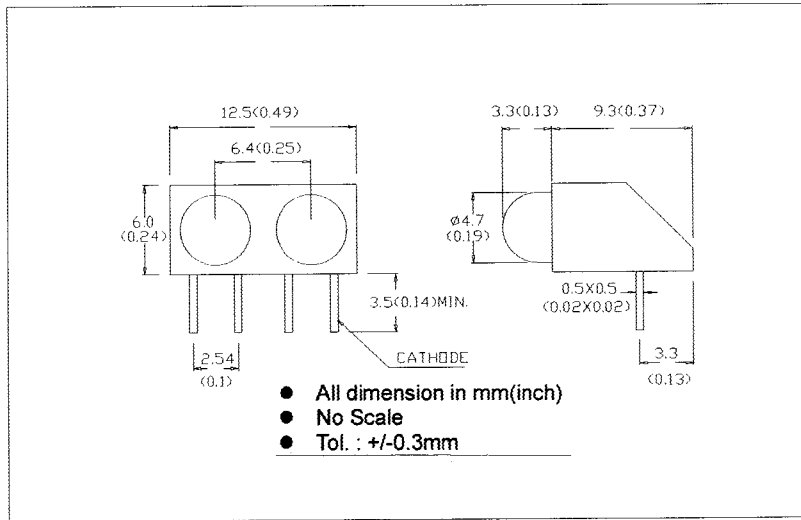
PARAMETER	SYMBOL	YELLOW	GREEN	UNIT	CONDITIONS
Forward Voltage	MAX $V_F$	3.0	3.0	V	$I_F=20mA$
Reverse Breakdown Voltage	MIN $BV_R$	5	5	V	$I_R=100\mu A$
Luminous Intensity	MIN $I_V$	4.0	7.0	mcd	$I_F=20mA$
	TYP	6.0	10	mcd	$I_F=20mA$
Peak Wavelength	TYP $\lambda_p$	585	570	nm	$I_F=20mA$
Spectral Line Half Width	TYP $\Delta\lambda$	35	30	nm	$I_F=20mA$



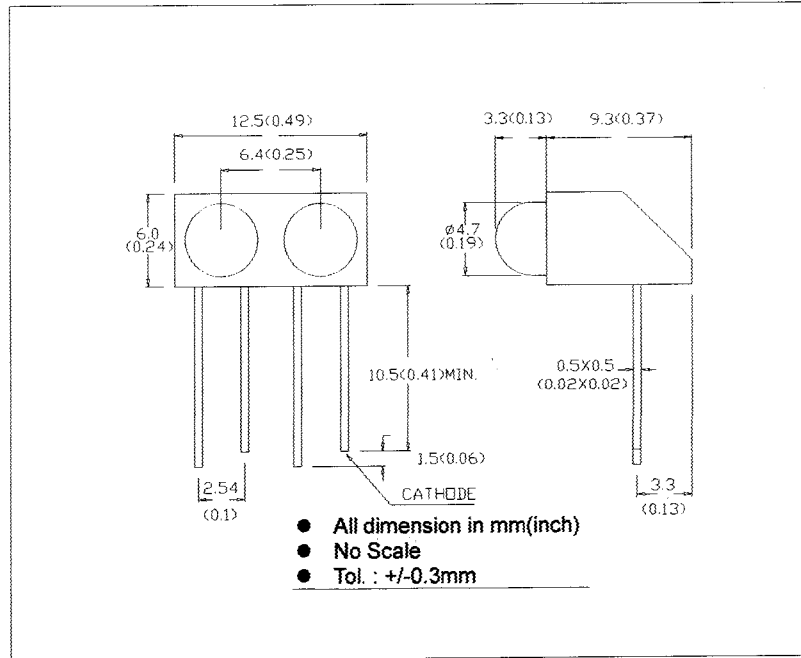
MICRO ELECTRONICS LTD.

38, Hung To Road, Microtron Building, Kwun Tong, Kowloon, Hong Kong.  
Kwun Tong P.O. Box 69477 Hong Kong. Fax No. 2341 0321 Telex:43510 Micro Hx. Tel: 2343 0181-5

L72CB/1Y1GDA



L72CB/1Y1GDA-L



L72CB/1Y1GDA-2L

