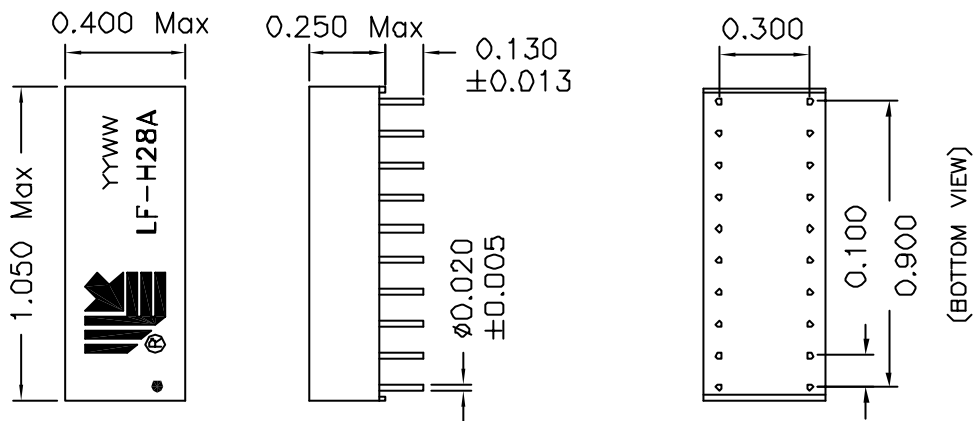


# 10/100BASE-TX MAGNETICS MODULE

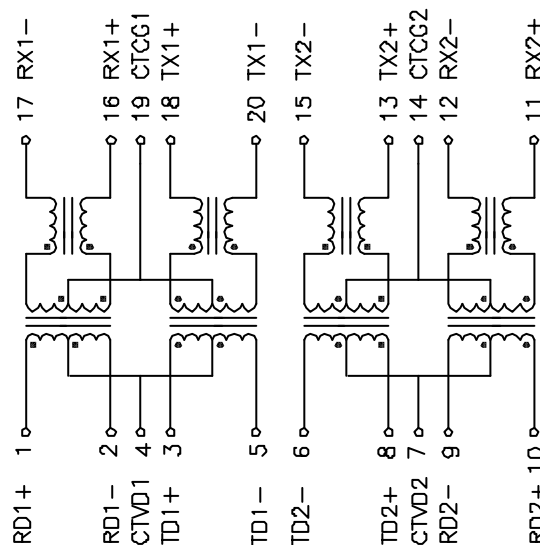
## Electrical Specifications: @25

Turns Ratio: PRI/SEC TX 1CT:1CT  $\pm 3\%$  RX 1CT:1CT  $\pm 3\%$   
 Isolation Voltage: 1500 Vrms (Input to Output)  
 OCL: 350uH Minimum @100KHz 100mV 8mADC  
 Leakage Inductance: 0.4uH Maximum @100KHz 100mV PRI Shorted  
 PRI/SEC Cw/w: 20pF Typical @100KHz 100mV  
 Rise Time: 2.5ns Typical  
 Insertion Loss: -1.0dB Maximum @100KHz - 100MHz  
 Return Loss: -18dB Minimum @1MHz-30MHz  
                   -15dB Minimum @40MHz-50MHz  
                   -12dB Minimum @60MHz - 80MHz  
 Crosstalk: -32dB Minimum @100KHz-100MHz  
 CMRR: -40dB Typical @100KHz - 100MHz

## Mechanicals:



## Schematics:



Specification subject to change without notice

P/N: LF-H28A	DIMENSIONS IN INCH	Unless otherwise specified Dim. Tolerances are: .xxx $\pm 0.010$	REV: A1	DRWN:	DATE: 03-09-22
	SCALE: NONE		PAGE: 1/1	APPD:	DATE: