

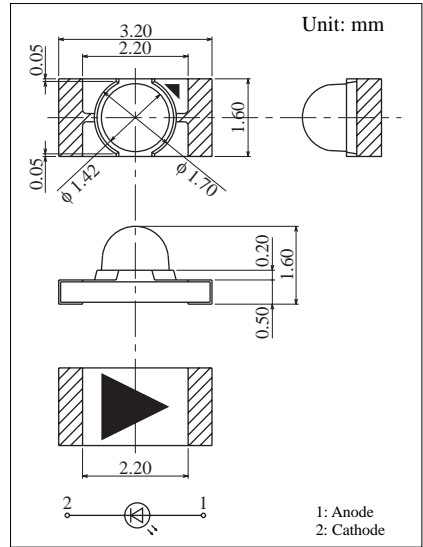
Dome-Lens Type

Conventional Part No. Global Part No. Lighting Color
 LNJ218C8TRU LNJ218C8TRU Red

■ 絶対最大定格 Absolute Maximum Ratings ($T_a = 25^\circ\text{C}$)

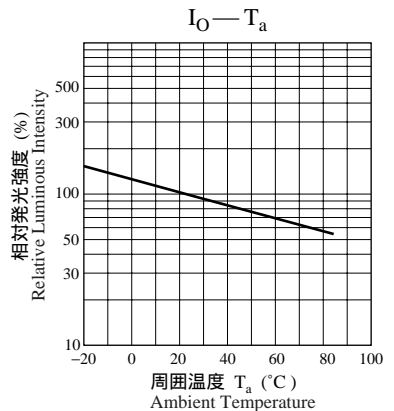
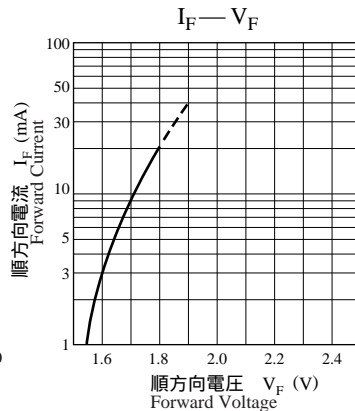
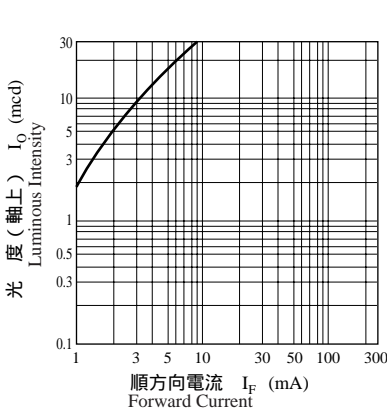
Lighting Color	P(mW)	I_{FDC} (mA)	I_{FP} (mA)*	V_{R} (V)	T_{opr} ($^\circ\text{C}$)	T_{stg} ($^\circ\text{C}$)
Red	60	20	100	3	-30 ~ +85	-40 ~ +100

I_{FP} の条件は duty 10% , Pulse width 1 msec. The condition of I_{FP} is duty 10%, Pulse width 1 msec

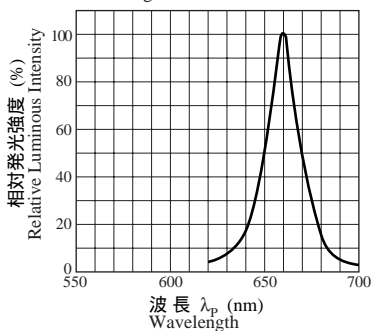


■ 電気的光学的特性 Electro-Optical Characteristics ($T_a = 25^\circ\text{C}$)

Conventional Part No.	Lighting Color	Lens Color	I_{O}		I_{F}	V_{F}		λ_{P}	$\Delta\lambda$	I_{F}	I_{R}	
			Typ	Min		Typ	Max	Typ	Typ		Max	V_{R}
LNJ218C8TRU	Red	Clear	32	17	10	1.72	2.5	660	20	10	100	3
Unit	—	—	mcd	mcd	mA	V	V	nm	nm	mA	μA	V



相对発光強度 — 波長特性
 Relative Luminous Intensity
 Wavelength Characteristics



指向特性
 Directive Characteristics

