

# Round Type

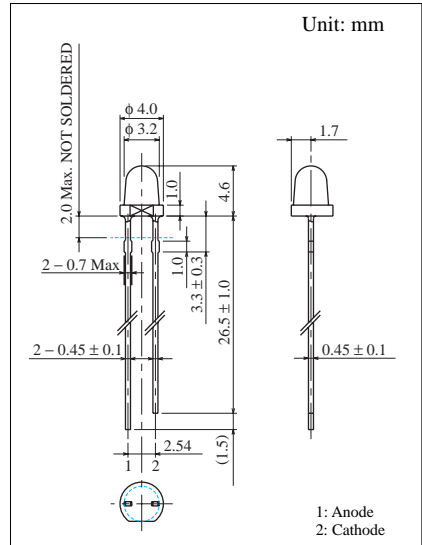
## φ 3.2 mm InGaAlP

Conventional Part No. Global Parts No. Lighting Color  
 LNW476CK4 ..... LNW476CK4 ..... Amber  
 LNW876CK8 ..... LNW876CK8 ..... Soft Orange

### ■ Absolute Maximum Ratings (T<sub>a</sub> = 25°C)

Lighting Color	P <sub>D</sub> (mW)	I <sub>F</sub> (mA)	I <sub>FP</sub> (mA)*	V <sub>R</sub> (V)	T <sub>opr</sub> (°C)	T <sub>stg</sub> (°C)
Amber	125	50	150	4	-25 ~ +85	-30 ~ +100
Soft Orange	125	50	150	4	-25 ~ +85	-30 ~ +100

I<sub>FP</sub>の条件は duty 10% ,Pulse width 1 msec. The condition of I<sub>FP</sub> is duty 10%, Pulse width 1 msec



### ■ Electro-Optical Characteristics (T<sub>a</sub> = 25°C)

Conventional Part No.	Lighting Color	Lens Color	I <sub>O</sub>		I <sub>F</sub>	V <sub>F</sub>		λ <sub>P</sub>	Δλ	I <sub>F</sub>	I <sub>R</sub>	
			Typ	Min		Typ	Max				Max	V <sub>R</sub>
LNW476CK4	Amber	Clear	80	—	20	2.0	2.5	588	15	20	100	4
LNW876CK8	Soft Orange	Clear	80	—	20	2.0	2.5	620	15	20	100	4
Unit	—	—	mcd	mcd	mA	V	V	nm	nm	mA	μA	V

