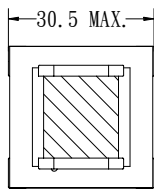
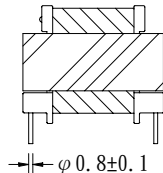
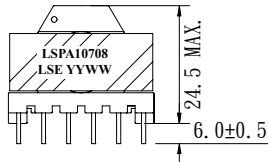


Mechanical

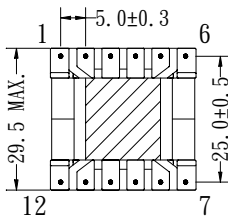


Top View

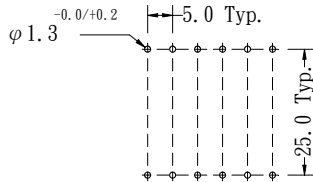


Note :

1. Unit : mm
2. Scale : F
3. 【YYWW】: Date Code

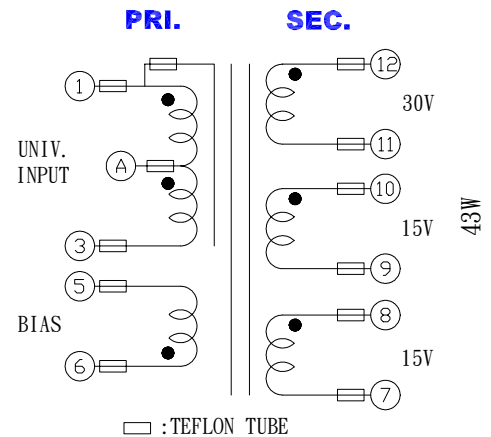


Bottom View



Hole Arrangement
View in soldering direction

Schematic



Electrical Characteristics

A. D.C. Resistance : (25°C)

R(1-3) : 431.0 mΩ max.

R(6-5) : 53.0 mΩ max.

R(12-11) : 107.0 mΩ max.

R(10-9) : 57.0 mΩ max.

R(8-7) : 57.0 mΩ max.

B. Inductance :

L(1-3) : 510.0 μH ± 10% @ 132 KHz, 1V, Ls

C. Leakage Inductance :

Lk(1-3) : 9.0 μH max. @ 132 KHz, 1V, Ls, shorted P(5+6+7+8+9+10+11+12)

D. Turns Ratio :

P (1-3) : P (6-5) ==> 1 : 0.114 ± 10% @ 20 KHz, 1V

P (1-3) : P (12-11) ==> 1 : 0.227 ± 5% @ 20 KHz, 1V

P (1-3) : P (10-9) ==> 1 : 0.114 ± 10% @ 20 KHz, 1V

P (1-3) : P (8-7) ==> 1 : 0.114 ± 10% @ 20 KHz, 1V

E. Isolation Voltage (Hi-Pot) :

Pri., Bias To Sec. ==> 3750 Vac, 3mA, 60 Sec

Pri. To Bias ==> 1500 Vac, 3mA, 60 Sec

Sec. To Sec. ==> 500 Vac, 3mA, 60 Sec