

#### DESCRIPTION

The LX5226 SCSI terminator is part of Linfinity's UltraMAX family of high-performance, adaptive, non-linear mode SCSI products, which are designed to deliver true UltraSCSI performance in SCSI applications. The low-voltage BiCMOS architecture employed in its design offers superior performance to older linear passive and active techniques.

Linfinity's UltraMAX architecture employs high-speed adaptive elements for each channel, thereby providing the fastest response possible — typically 35MHz, which is 100 times faster than the older linear regulator/terminator approach used by other manufacturers. Products using this older linear regulator approach have bandwidths which are limited to 500KHz (see further discussion in the Functional Description section). The UltraMAX architecture also eliminates the output compensation capacitor typical in earlier terminator designs. Each is approved for use with SCSI-1, -2, -3, UltraSCSI and beyond — providing the highest performance alternative available today.

The LX5226 architecture is much more tolerant of marginal system integrations. A

key improvement offered by the LX5226 lies in its ability to ensure reliable, error-free communications even in systems which do not adhere to recommended SCSI hardware design guidelines, such as the use of improper cable lengths and impedances. Frequently, this situation is not controlled by the peripheral or host designer and, when problems occur, they are the first to be made aware of the problem.

To enter the disconnect mode, the disconnect pin must be driven high, thereby disconnecting the LX5226 from the SCSI bus. Quiescent current is less than 150µA in this mode.

Reduced component counts is also inherent in the LX5226 architecture. Traditional termination techniques require large stabilization and transient protection capacitors of up to 20µF in value and size. The LX5226 architecture does not require these components, allowing all the cost savings associated with inventory, board space, assembly, reliability, and component costs.

The LX5226 is a superior pin-for-pin replacement for the LX5207, the UC5601 / 5602 / 5610 and the UCC5610.

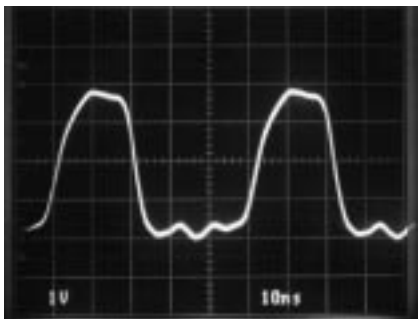
#### KEY FEATURES

- Ultra-Fast Response For Fast-20 SCSI Applications
- 35MHz Channel Bandwidth
- Sleep-Mode Current Less Than 150µA
- NO External Compensation Capacitors
- Compatible With Active Negation Drivers
- Compatible With Passive And Active Terminations
- Approved For Use With SCSI 1, 2, 3 And Ultra SCSI
- Hot-Swap Compatible
- Pin-For-Pin Compatible With LX5207, UC5601/5602 And UCC5610

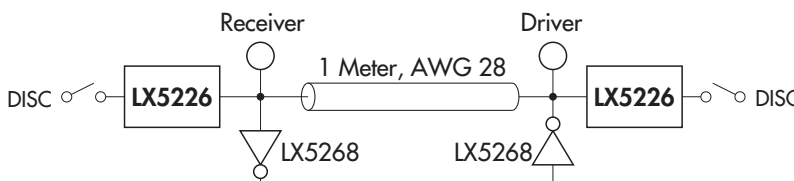
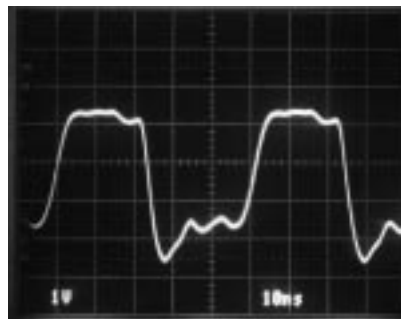
**NOTE:** For current data & package dimensions, visit our web site: <http://www.linfinity.com>.

#### PRODUCT HIGHLIGHT

RECEIVING WAVEFORM - 20MHZ



DRIVING WAVEFORM - 20MHZ



#### PACKAGE ORDER INFO

T <sub>A</sub> (°C)	DWP Plastic SOWB 28-pin, Power
0 to 70	LX5226CDWP

Note: All surface-mount packages are available in Tape & Reel. Append the letter "T" to part number. (i.e. LX5226CDWPT)

**NOTE:**  
For An In-Depth Discussion On Applying SCSI, Request Linfinity Application Note: "Understanding The Single-Ended SCSI Bus"

## ULTRA 18-LINE SCSI TERMINATOR

### PRODUCTION DATA SHEET

#### ABSOLUTE MAXIMUM RATINGS (Note 1)

TermPwr Voltage .....	+7V
Signal Line Voltage .....	0V to +7V
Operating Junction Temperature	
Plastic (DWP Packages) .....	150°C
Storage Temperature Range .....	-65°C to 150°C
Lead Temperature (Soldering, 10 seconds) .....	300°C

Note 1. Exceeding these ratings could cause damage to the device. All voltages are with respect to Ground. Currents are positive into, negative out of the specified terminal.

#### THERMAL DATA

##### DWP PACKAGE:

<b>THERMAL RESISTANCE-JUNCTION TO LEADS, <math>\theta_{jL}</math></b>	<b>18°C/W</b>
<b>THERMAL RESISTANCE-JUNCTION TO AMBIENT, <math>\theta_{jA}</math></b>	<b>40°C/W</b>

Junction Temperature Calculation:  $T_J = T_A + (P_D \times \theta_{jA})$ .

The  $\theta_{jA}$  numbers are guidelines for the thermal performance of the device/pc-board system. All of the above assume no ambient airflow.

#### PACKAGE PIN OUTS

DISC	1	28	GND
T1	2	27	T18
T2	3	26	T17
T3	4	25	T16
T4	5	24	T15
T5	6	23	T14
HEAT SINK/GND	7	22	HEAT SINK/GND
GND	8	21	HEAT SINK/GND
HEAT SINK/GND	9	20	HEAT SINK/GND
T6	10	19	T13
T7	11	18	T12
T8	12	17	T11
T9	13	16	T10
V <sub>TERM</sub>	14	15	N.C.

DWP PACKAGE  
(Top View)

#### RECOMMENDED OPERATING CONDITIONS (Note 2)

Parameter	Symbol	Recommended Operating Conditions			Units
		Min.	Typ.	Max.	
TermPwr Voltage	V <sub>TERM</sub>	4.0		5.5	V
Signal Line Voltage		0		5	V
Disconnect Input Voltage		0		V <sub>TERM</sub>	V
Operating Virtual Junction Temperature Range					
LX5226C		0		125	°C

Note 2. Range over which the device is functional.

#### ELECTRICAL CHARACTERISTICS

**Term Power = 4.75V unless otherwise specified.** Unless otherwise specified, these specifications apply at the recommended operating ambient temperature of T<sub>A</sub> = 25°C. Low duty cycle pulse testing techniques are used which maintains junction and case temperatures equal to the ambient temperature.

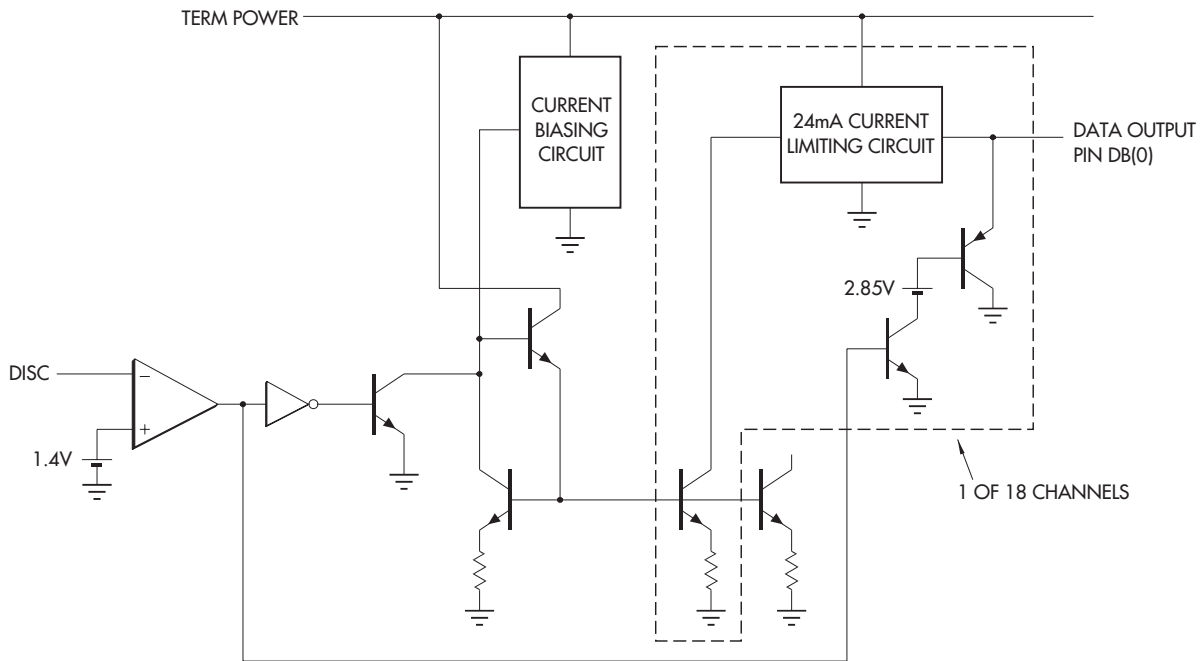
Parameter	Symbol	Test Conditions	LX5226			Units
			Min.	Typ.	Max.	
Output High Voltage	V <sub>OUT</sub>		2.65	2.85		V
TermPwr Supply Current	I <sub>CC</sub>	All data lines = open		10	15	mA
		All data lines = 0.2V		424	450	mA
		DISC Pin > 2.0V		50	150	µA
Output Current	I <sub>OUT</sub>	V <sub>OUT</sub> = 0.2V	-20	-22	-24	mA
Disconnect Input Current	I <sub>IN</sub>	DISC Pin = 0V			-10	µA
Output Leakage Current	I <sub>OL</sub>	DISC Pin = > 2.0V, V <sub>O</sub> = 0.2V			1	µA
Channel Bandwidth	BW			35		MHz
Termination Sink Current, per Channel	I <sub>SINK</sub>	V <sub>OUT</sub> = 4V	7			mA

ULTRA 18-LINE SCSI TERMINATOR

PRODUCTION DATA SHEET

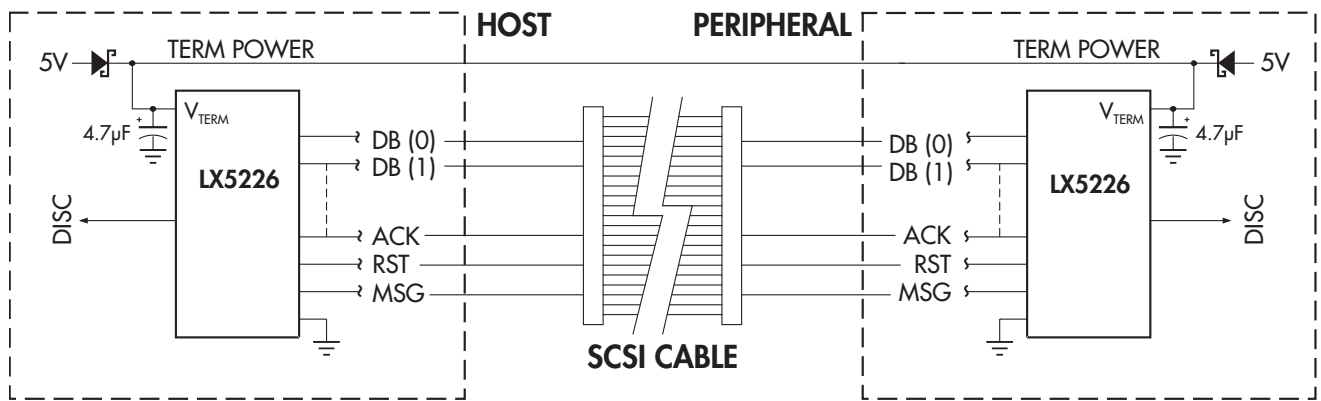
BLOCK DIAGRAM

FIGURE 1 — LX5226 BLOCK DIAGRAM



APPLICATION SCHEMATIC

FIGURE 2 — 8-BIT SCSI SYSTEM APPLICATION



**ULTRA 18-LINE SCSI TERMINATOR**

**PRODUCTION DATA SHEET**

**FUNCTIONAL DESCRIPTION**

Cable transmission theory suggests that in order to optimize signal speed and quality, the termination should act both as an ideal voltage reference when the line is released (deasserted) and as an ideal current source when the line is active (asserted). Common active terminators, which consist of Linear Regulators in series with resistors (typically 110Ω), are a compromise. As the line voltage increases, the amount of current decreases linearly by the equation  $V = I * R$ . The LX5226, with its unique new architecture, applies the maximum amount of current regardless of line voltage until the termination high threshold (2.85V) is reached.

Acting as a near ideal line terminator, the LX5226 closely reproduces the optimum case when the device is enabled. To enable the device a DISC pin must be pulled Logic **Low**. During this mode of operation, quiescent current is 6mA and the device will respond to line demands by delivering 24mA on assertion and by imposing 2.85V on deassertion. In order

to disable the device, the DISC pin must be driven logic **High**. This mode of operation places the device in a sleep state where a meager 150µA of quiescent current is consumed. Additionally, all outputs are in a Hi-Z (impedance) state. Sleep mode can be used for power conservation or to completely eliminate the terminator from the SCSI chain.

An additional feature of the LX5226 is its compatibility with active negation drivers.

POWER UP / POWER DOWN FUNCTION TABLE

DISC Pin	Outputs	Quiescent Current
L	Enabled	15mA
H	HI Z	150µA
Open	HI Z	150µA

UltraMAX is a trademark of Linfity Microelectronics Inc.

PRODUCTION DATA - Information contained in this document is proprietary to Linfity, and is current as of publication date. This document may not be modified in any way without the express written consent of Linfity. Product processing does not necessarily include testing of all parameters. Linfity reserves the right to change the configuration and performance of the product and to discontinue product at any time.

