

# M62216FP/GP

## Low Voltage Operation STEP-UP DC/DC Converter

REJ03D0845-0300

Rev.3.00

Jun 15, 2007

### Description

The M62216FP is designed as low voltage operation STEP-UP DC/DC converter.

This IC can operate very low input voltage (over 0.9 V) and low power dissipation. (circuit current is less than 850  $\mu\text{A}$ )

So, this IC suitable for power supply of portable system that using low voltage battery. (DRY battery, rechargeable battery)

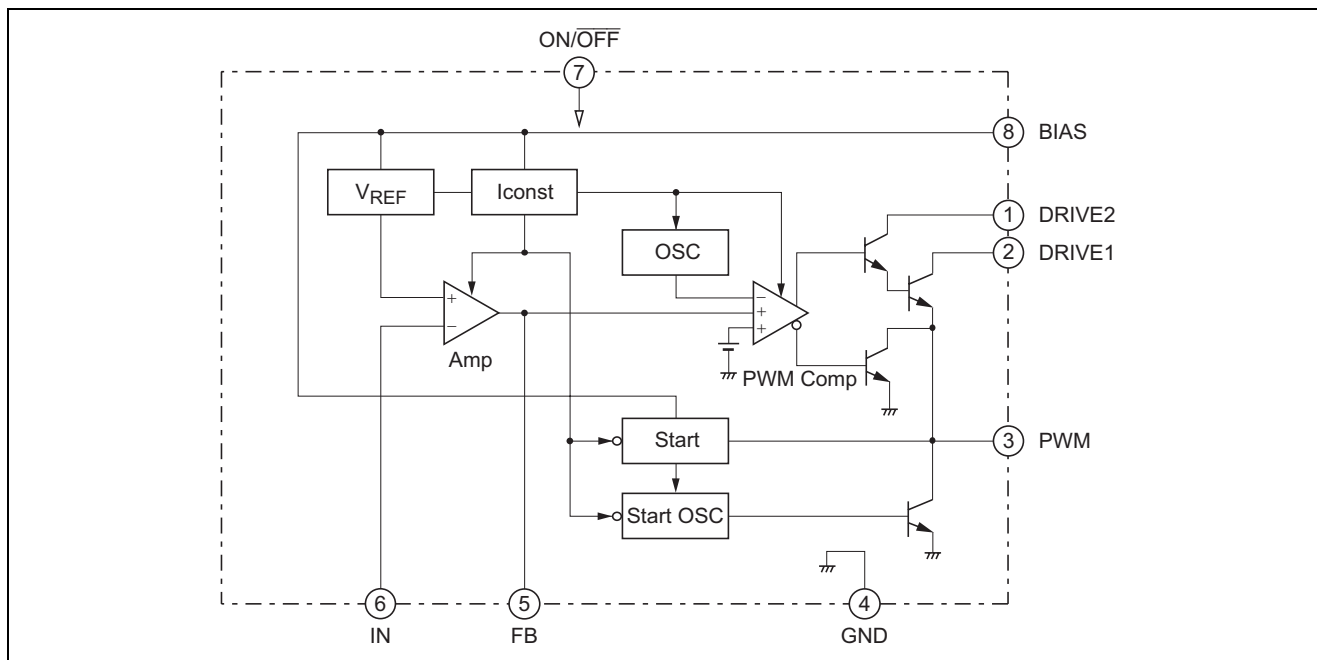
### Features

- Pre-drive type PWM output (Pre-drive only)
- Low voltage operation:  $V_{\text{IN}} = 0.9 \text{ V min.}$
- Low current dissipation:  $I_{\text{B}} = 850 \mu\text{A typ.}$
- Pre-drive output current can be adjusted
- Built-in ON/OFF Function:  $I_{\text{B (OFF)}} = 35 \mu\text{A typ.}$
- Application for STEP-DOWN Converter can be used

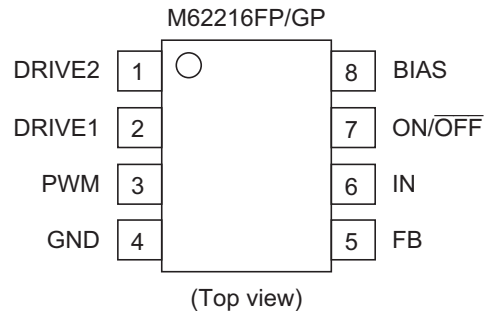
### Application

DC/DC Converter for portable sets of battery used

### Block Diagram



## Pin Arrangement



Outline: PRSP0008DE-C [FP] (recommend)  
PRSP0008DA-A (8P2S-A) [FP] (not recommend for new design)  
8P2X-A [GP]

## Absolute Maximum Ratings

(Ta = 25°C, unless otherwise noted)

Item	Symbol	Ratings	Units	Conditions
Input voltage	V <sub>IN</sub>	15.5	V	
Bias terminal supply voltage	V <sub>BIAS</sub>	15.5	V	
Drive1 terminal supply voltage	V <sub>DRIVE1</sub>	15.5	V	
Drive2 terminal supply voltage	V <sub>DRIVE2</sub>	15.5	V	
Drive1 terminal input current	I <sub>DRIVE1</sub>	100	mA	
Drive2 terminal Input current	I <sub>DRIVE2</sub>	10	mA	
Power dissipation	Pd	440 (FP) 250 (GP)	mW	Ta = 25°C
Operating temperature	Topr	-20 to +85	°C	
Storage temperature	Tstg	-40 to +150	°C	

## Electrical Characteristics

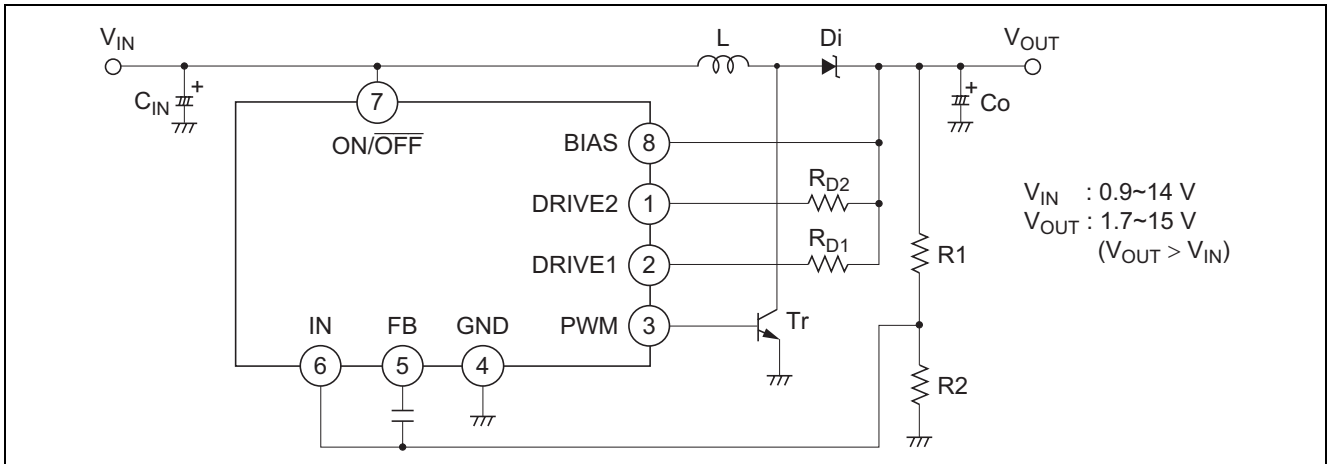
(Ta = 25°C, V<sub>IN</sub> = 1.7 V, V<sub>OUT</sub> = V<sub>BIAS</sub> = 3.0 V, unless otherwise noted)

Block	Item	Symbol	Limits			Units	Test Condition
			Min	Typ	Max		
All device	Input voltage range	V <sub>IN</sub>	0.9	—	15	V	
	BIAS voltage setting range*1	V <sub>BIAS</sub>	1.7	—	15	V	
	BIAS current	I <sub>B</sub>	—	850	1200	μA	
	BIAS current at off mode	I <sub>B (OFF)</sub>	—	35	47	μA	
Voltage reference	Reference voltage	V <sub>REF</sub>	1.20	1.26	1.32	V	Use internal amp as Buffer-amp
	BIAS voltage regulation of VREF	ΔV <sub>REF</sub>	—	10	30	mV	V <sub>BIAS</sub> = 1.7 to 15 V
Error Amp.	Input current	I <sub>IN</sub>	—	20	—	nA	I <sub>N</sub> = 1 V/IM
	Open loop voltage gain	A <sub>V</sub>	—	70	—	dB	f <sub>IN</sub> = 100 Hz, null amp operation
	FB terminal sink current	I <sub>FB+</sub>	260	800	—	μA	I <sub>N</sub> = 1.4 V, FB = 1.25 V/IM
	FB terminal source current	I <sub>FB-</sub>	30	45	60	μA	I <sub>N</sub> = 1.1 V, FB = 1.25 V/IM
Osc.	Oscillation frequency	f <sub>OSC</sub>	95	125	155	kHz	PWM terminal monitored
	Maximum on duty	DUTY <sub>max</sub>	82	87	92	%	PWM terminal monitored, I <sub>N</sub> = 1.1 V
Output	Saturation voltage between PWM Term. and DRIVE1 Term.	V <sub>sat1</sub>	—	0.25	0.5	V	I <sub>DRIVE1</sub> = 50 mA, I <sub>DRIVE2</sub> = 5 mA
	Saturation voltage between PWM Term. and DRIVE2 Term.	V <sub>sat2</sub>	—	1.0	1.2	V	
	Leak current of DRIVE1 terminal	I <sub>L1</sub>	-1	—	1	μA	I <sub>N</sub> = 1.4 V
	Leak current of DRIVE2 terminal	I <sub>L2</sub>	-1	—	1	μA	I <sub>N</sub> = 1.4 V
	Output low voltage of PWM terminal	V <sub>PWM (L)</sub>	—	0.03	0.3	V	I <sub>PWM</sub> = 1 mA
ON/OFF	Input current of ON/OFF terminal at on status	I <sub>ON</sub>	—	2	3	μA	
	Threshold voltage of ON/OFF terminal	V <sub>TH (ON)</sub>	—	0.65	0.75	V	

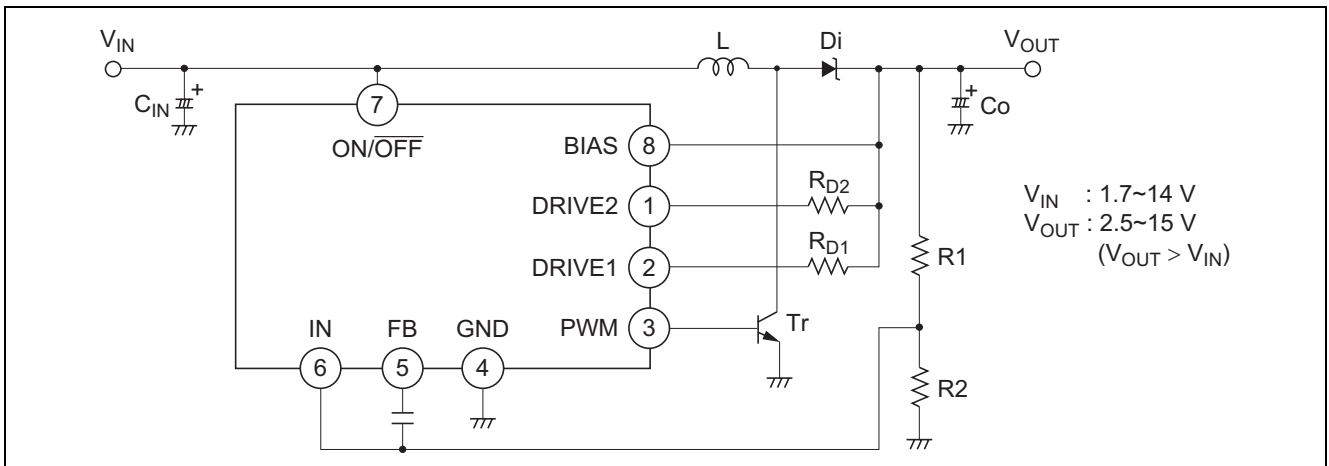
Note: 1. Setting range of BIAS voltage as same as setting range of output voltage.

## Application Circuit

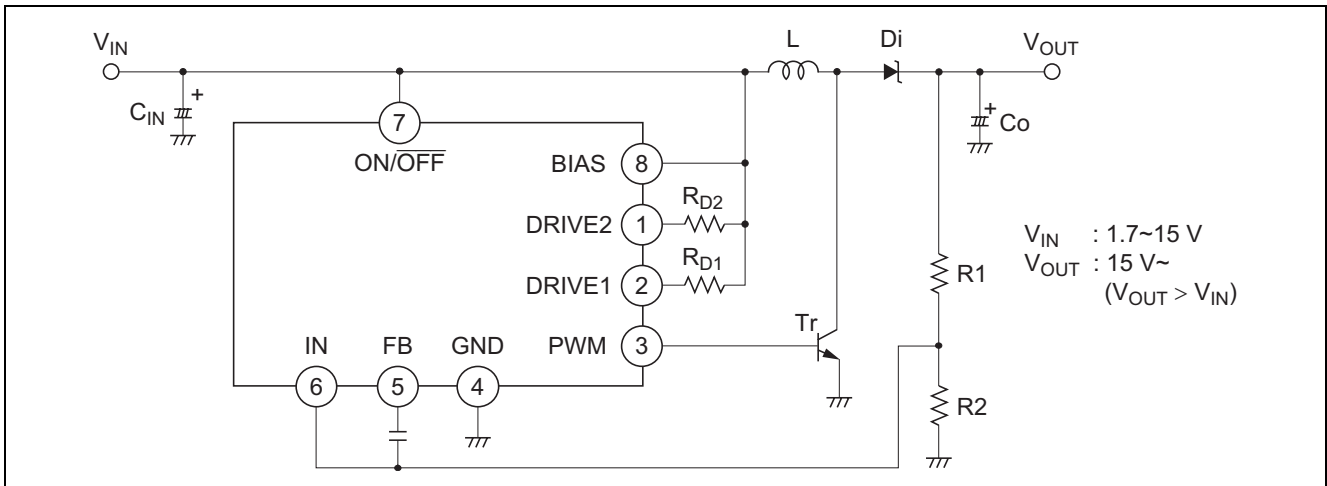
### (1) Standard application circuit



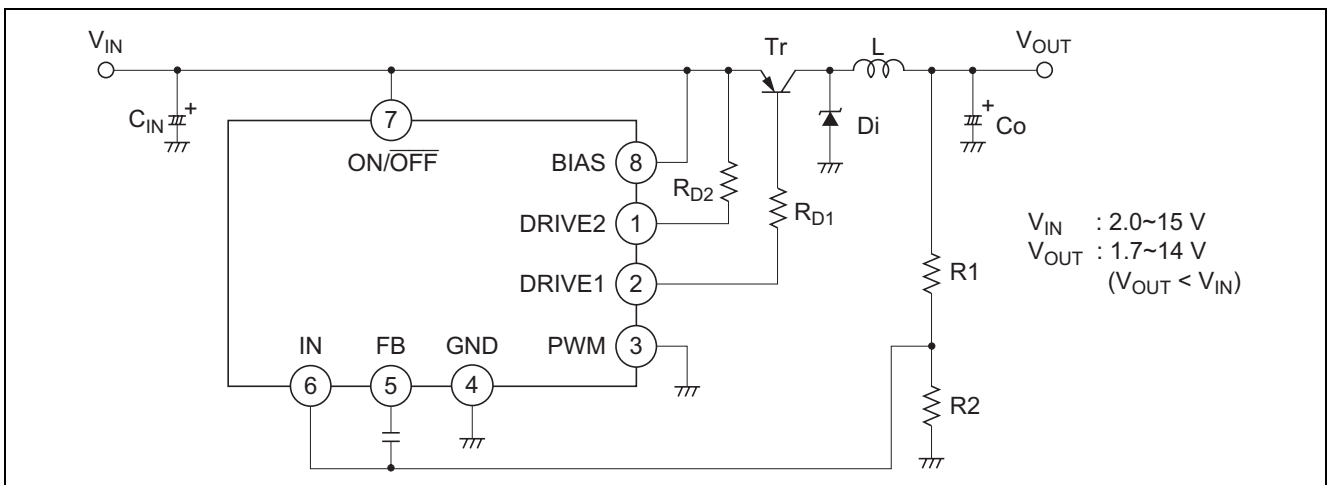
### (2) Application circuit 1 ( $V_{IN} \geq 1.7 \text{ V}$ )



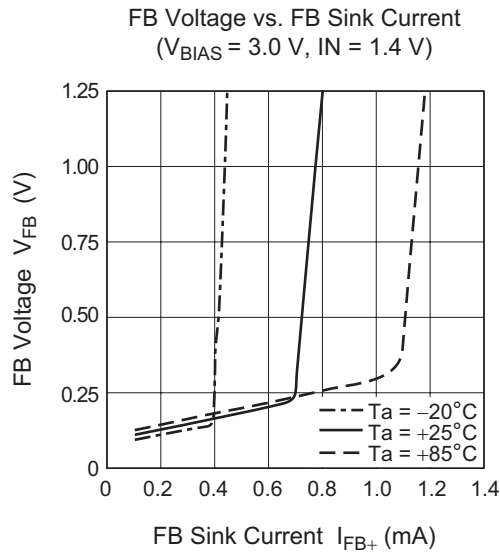
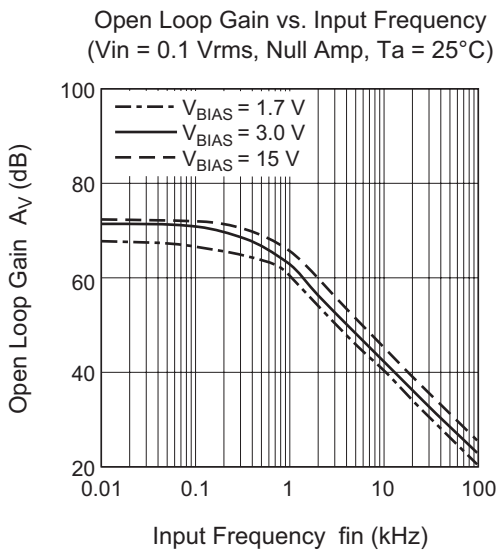
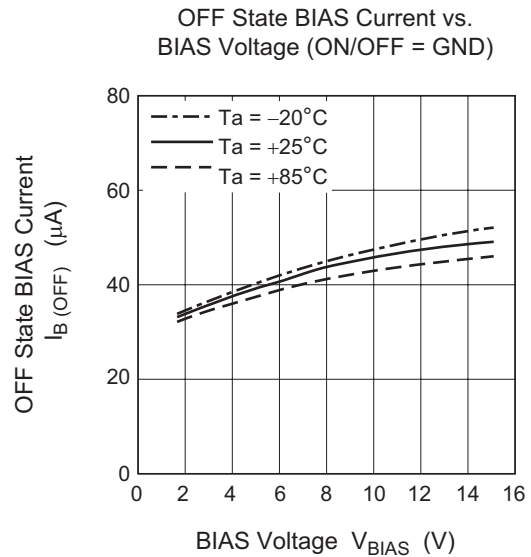
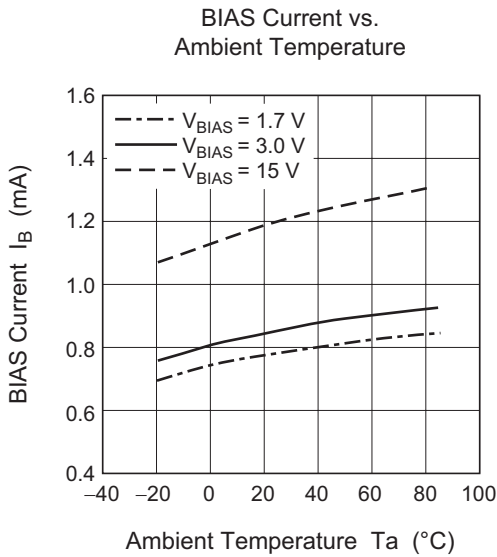
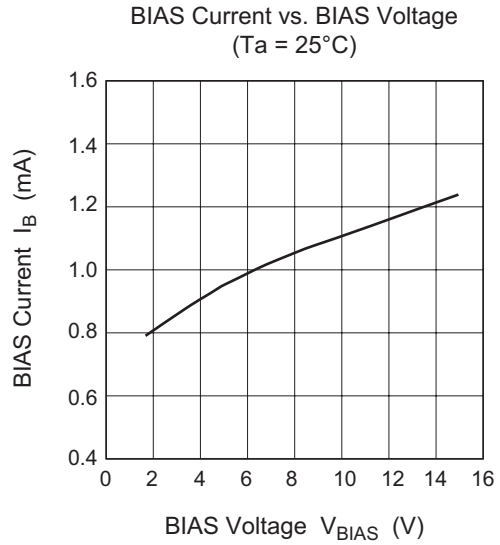
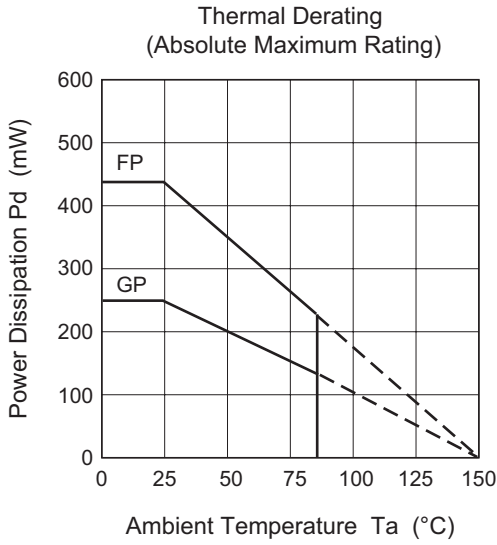
(3) Application circuit 2 ( $V_{OUT} > 15\text{ V}$ )

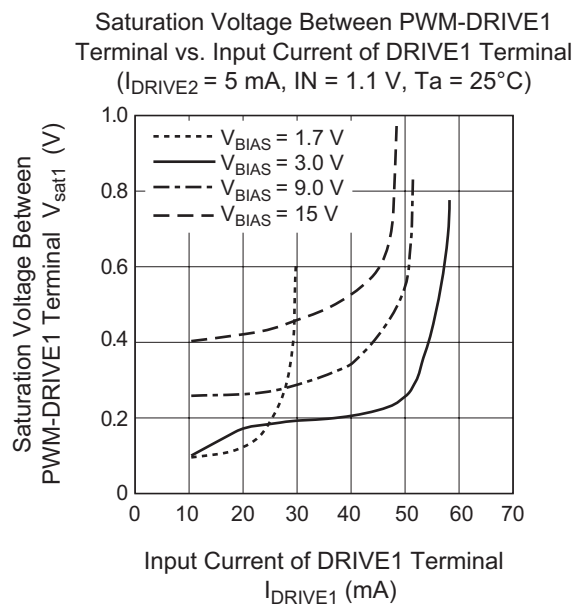
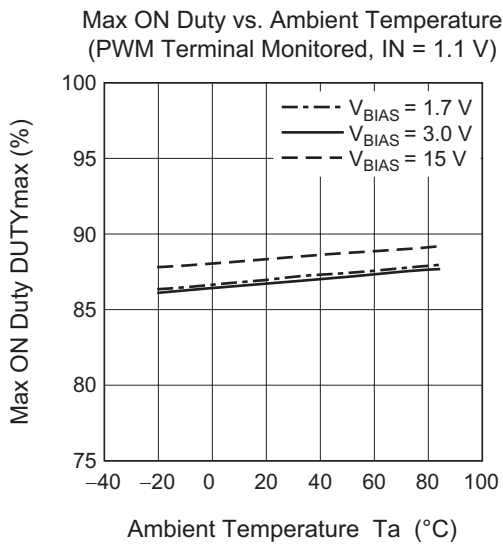
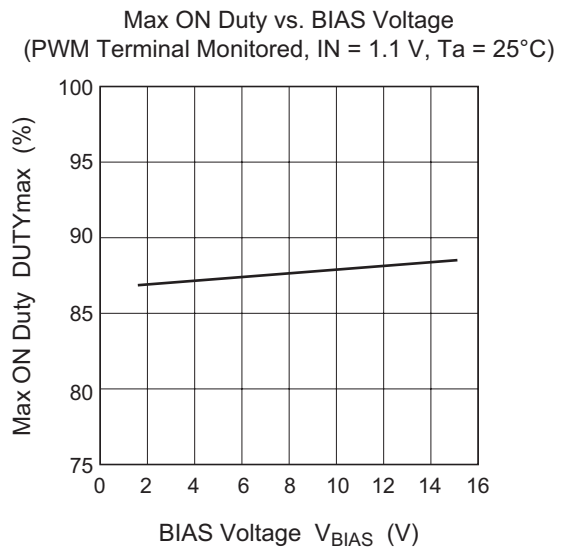
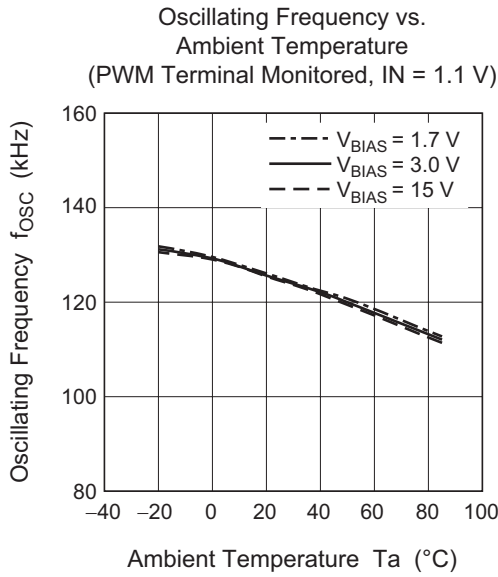
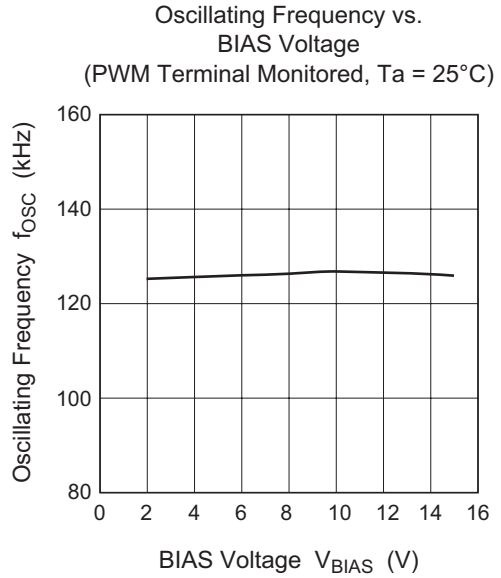
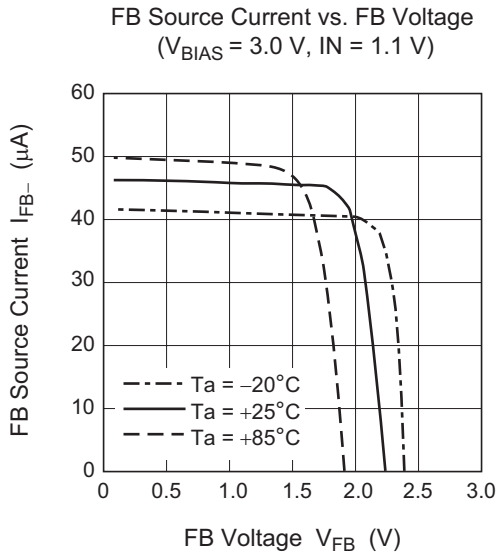


(4) Application circuit for STEP-DOWN circuit

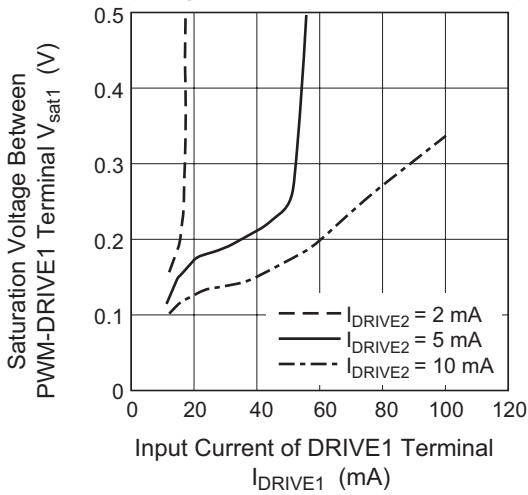


Typical Characteristics

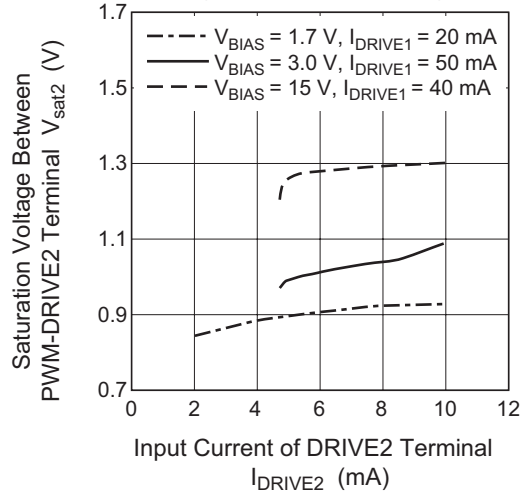




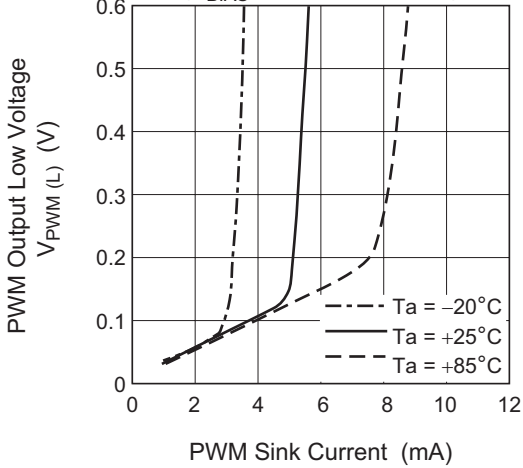
Saturation Voltage Between PWM-DRIVE1 Terminal vs. Input Current of DRIVE1 Terminal ( $V_{BIAS} = 3.0\text{ V}$ ,  $I_N = 1.1\text{ V}$ ,  $T_a = 25^\circ\text{C}$ )



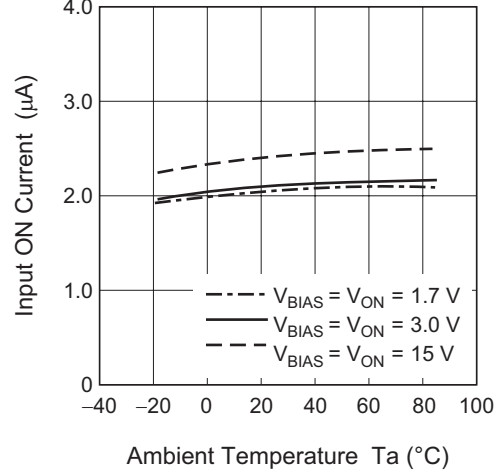
Saturation Voltage Between PWM-DRIVE2 Terminal vs. Input Current of DRIVE2 Terminal ( $I_N = 1.1\text{ V}$ ,  $T_a = 25^\circ\text{C}$ )



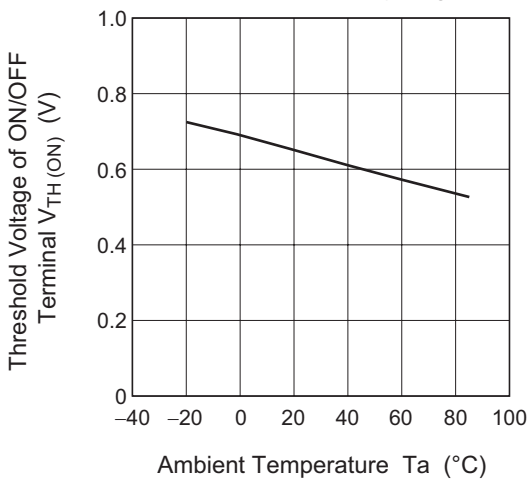
PWM Output Low Voltage vs. PWM Sink Current ( $V_{BIAS} = 3.0\text{ V}$ ,  $I_N = 1.4\text{ V}$ )



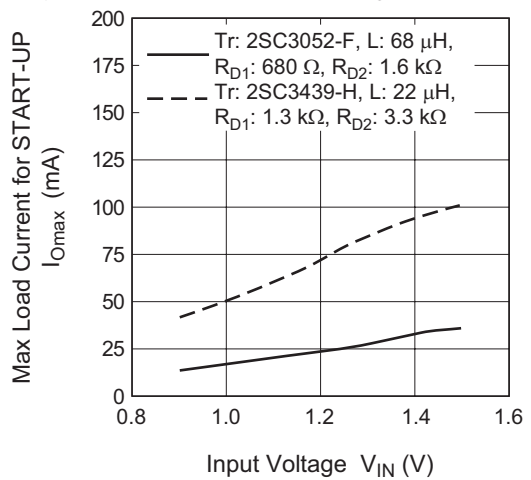
Input ON Current vs. Ambient Temperature



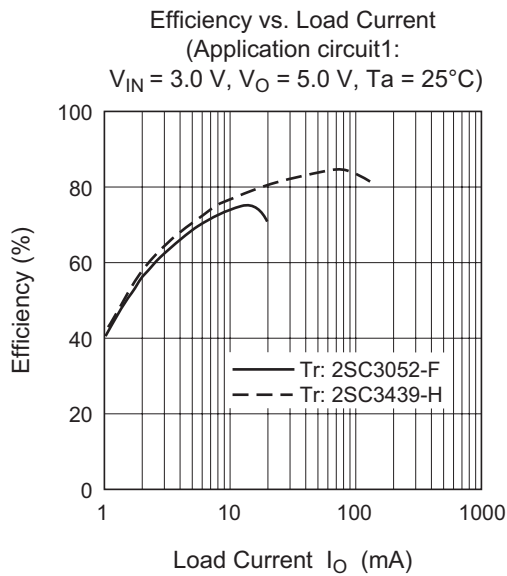
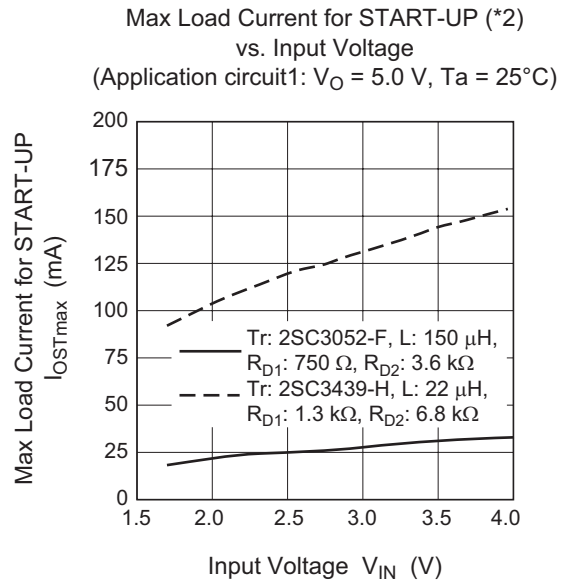
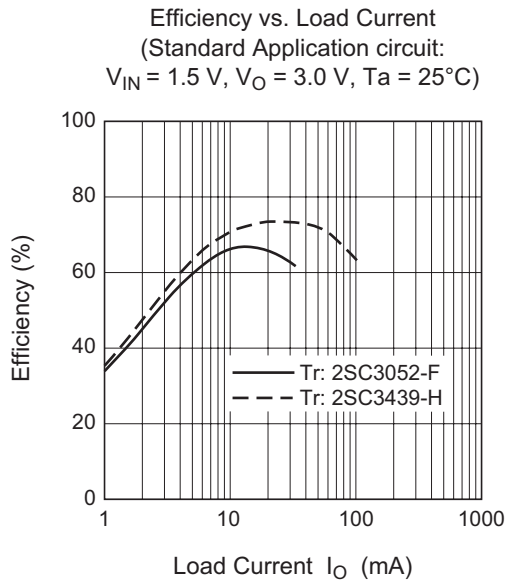
Threshold Voltage of ON/OFF Terminal vs. Ambient Temperature ( $V_{BIAS} = 3.0\text{ V}$ )



Max Load Current for START-UP(\*) vs. Input Voltage (Standard Application Circuit,  $V_O = 3.0\text{ V}$ ,  $T_a = 25^\circ\text{C}$ )







Notes: 1, 2. These characteristics show the maximum output load current when start-up.  
Therefore, output voltage can grown-up to setting voltage less than a curve in the graph when using these external components value.  
(2SC3052-F:  $h_{FE} = 250$  to  $500$ , 2SC3439-H:  $h_{FE} = 600$  to  $1200$ )

## Equation for Constants Calculation

Constants	Standard Application Circuit	Application Circuit 1	Application Circuit 2
$\frac{T_{ON}}{T_{OFF}}$	$\frac{V_O + V_F - V_{IN}}{V_{IN} - V_{CE(sat)}}$	$\frac{V_O + V_F - V_{IN}}{V_{IN} - V_{CE(sat)}}$	$\frac{V_O + V_F - V_{IN}}{V_{IN} - V_{CE(sat)}}$
$T_{ON} + T_{OFF}$	$\frac{1}{f_{OSC}}$	$\frac{1}{f_{OSC}}$	$\frac{1}{f_{OSC}}$
$T_{OFF(MIN)}$	$\frac{T_{ON} + T_{OFF}}{1 + \frac{T_{ON}}{T_{OFF}}}$	$\frac{T_{ON} + T_{OFF}}{1 + \frac{T_{ON}}{T_{OFF}}}$	$\frac{T_{ON} + T_{OFF}}{1 + \frac{T_{ON}}{T_{OFF}}}$
$T_{ON(MAX)}$	$\frac{1}{f_{OSC}} - T_{OFF(MIN)}$	$\frac{1}{f_{OSC}} - T_{OFF(MIN)}$	$\frac{1}{f_{OSC}} - T_{OFF(MIN)}$
$I_{pk}$	$2 \times \left(1 + \frac{T_{ON}}{T_{OFF}}\right) \times (I_O + I_B)$	$2 \times \left(1 + \frac{T_{ON}}{T_{OFF}}\right) \times I_O$	$2 \times \left(1 + \frac{T_{ON}}{T_{OFF}}\right) \times I_O$
$L(MIN)$	$\frac{(V_{IN} - V_{CE(sat)})^2 \times T_{ON(MAX)}^2 \times f_{OSC}}{2 \times V_O \times (I_O + I_B)}$	$\frac{(V_{IN} - V_{CE(sat)})^2 \times T_{ON(MAX)}^2 \times f_{OSC}}{2 \times V_O \times I_O}$	$\frac{(V_{IN} - V_{CE(sat)})^2 \times T_{ON(MAX)}^2 \times f_{OSC}}{2 \times V_O \times I_O}$
$R_1$	$\left(\frac{V_O}{V_{REF}} - 1\right) \times R_2$	$\left(\frac{V_O}{V_{REF}} - 1\right) \times R_2$	$\left(\frac{V_O}{V_{REF}} - 1\right) \times R_2$
$R_{D1}$	$\frac{V_O - (V_{BE} + V_{sat1})}{(I_{pk}/h_{FE}) \times A_1}$	$\frac{V_O - (V_{BE} + V_{sat1})}{(I_{pk}/h_{FE}) \times A_1}$	$\frac{V_{IN} - (V_{BE} + V_{sat1})}{(I_{pk}/h_{FE}) \times A_1}$
$R_{D2}$	$\frac{V_O - (V_{BE} + V_{sat2})}{(I_{pk}/h_{FE}) \times A_2}$	$\frac{V_O - (V_{BE} + V_{sat2})}{(I_{pk}/h_{FE}) \times A_2}$	$\frac{V_{IN} - (V_{BE} + V_{sat2})}{(I_{pk}/h_{FE}) \times A_2}$

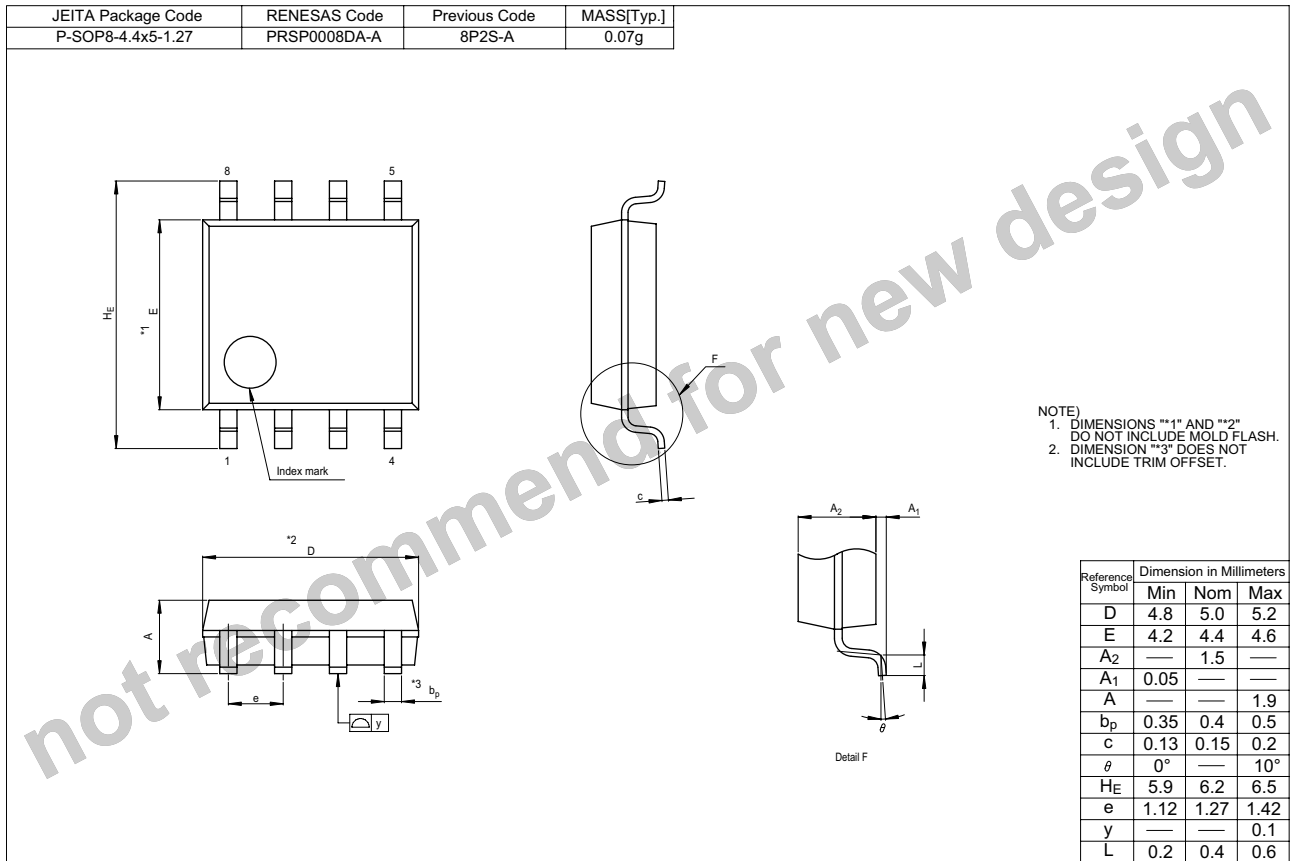
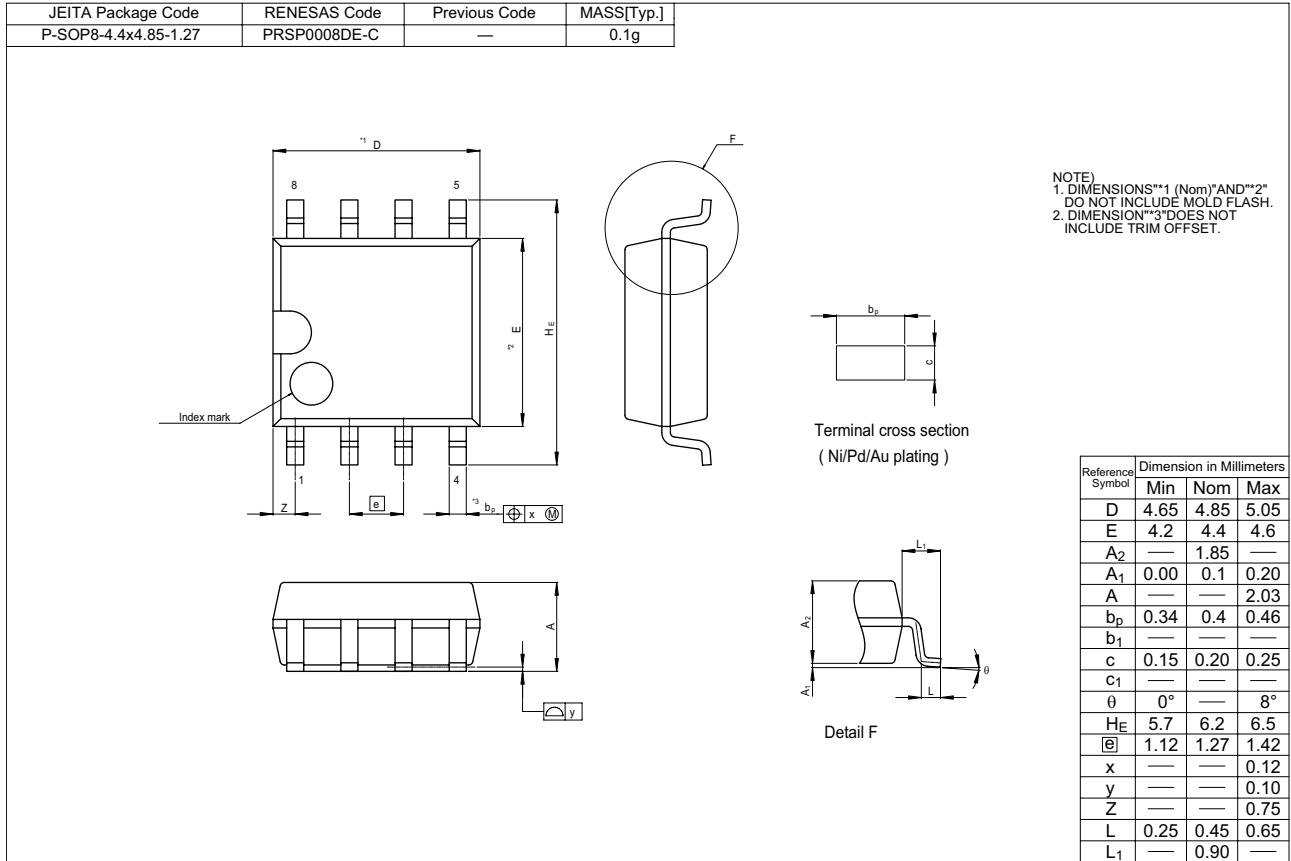
Constants	STEP-DOWN Circuit
$\frac{T_{ON}}{T_{OFF}}$	$\frac{V_O + V_F}{V_{IN} - V_{CE(sat)} - V_O}$
$T_{ON} + T_{OFF}$	$\frac{1}{f_{OSC}}$
$T_{OFF(MIN)}$	$\frac{T_{ON} + T_{OFF}}{1 + \frac{T_{ON}}{T_{OFF}}}$
$T_{ON(MAX)}$	$\frac{1}{f_{OSC}} - T_{OFF(MIN)}$
$I_{pk}$	$2 \times I_O$
$L(MIN)$	$\frac{(V_{IN} - V_{CE(sat)} - V_O) \times T_{ON(MAX)}}{\Delta I_O}$
$R_1$	$\left(\frac{V_O}{V_{REF}} - 1\right) \times R_2$
$R_{D1}$	$\frac{V_O - V_{BE} - V_{sat1}}{I_{pk}/h_{FE}}$
$R_{D2}$	$\frac{V_{IN} - V_{sat2}}{(I_{pk}/h_{FE}) \times A_3}$

## Note:

- $V_F$ : Forward voltage of external diode.
- $V_{CE(sat)}$ : Saturation voltage of external transistor.
- $V_{BE}$ : Voltage between Base - Emitter of external transistor.
- $h_{FE}$ :  $h_{FE}$  of external transistor at saturating.
- $A_1$ : Ratio of current into DRIVE1 terminal.  
( $A_1 = 0.8 \sim 0.9$ )
- $A_2$ : Ratio of current into DRIVE2 terminal.  
( $A_2 = 1 - A_1$ )
- $A_3$ : Ratio of current into DRIVE2 terminal.  
( $A_3 = 0.1 \sim 0.2$ )

- Set  $R_2$  to several  $k\Omega \sim$  several 10ths  $k\Omega$ .
- Set current into DRIVE2 terminal more than 100  $\mu A$ .  
( $I_{pk} / h_{FE}) \times A_2 \geq 100 \mu A$ , ( $I_{pk} / h_{FE}) \times A_3 \geq 100 \mu A$ )
- Set  $\Delta I_O$  to 1/5  $\sim$  1/3 of maximum load current
- The maximum rating of current of external parts (transistor, diode and inductor) are 1.5 to 2 times of  $I_{pk}$ .

Package Dimensions



Notes:

1. This document is provided for reference purposes only so that Renesas customers may select the appropriate Renesas products for their use. Renesas neither makes warranties or representations with respect to the accuracy or completeness of the information contained in this document nor grants any license to any intellectual property rights or any other rights of Renesas or any third party with respect to the information in this document.
2. Renesas shall have no liability for damages or infringement of any intellectual property or other rights arising out of the use of any information in this document, including, but not limited to, product data, diagrams, charts, programs, algorithms, and application circuit examples.
3. You should not use the products or the technology described in this document for the purpose of military applications such as the development of weapons of mass destruction or for the purpose of any other military use. When exporting the products or technology described herein, you should follow the applicable export control laws and regulations, and procedures required by such laws and regulations.
4. All information included in this document such as product data, diagrams, charts, programs, algorithms, and application circuit examples, is current as of the date this document is issued. Such information, however, is subject to change without any prior notice. Before purchasing or using any Renesas products listed in this document, please confirm the latest product information with a Renesas sales office. Also, please pay regular and careful attention to additional and different information to be disclosed by Renesas such as that disclosed through our website. (<http://www.renesas.com>)
5. Renesas has used reasonable care in compiling the information included in this document, but Renesas assumes no liability whatsoever for any damages incurred as a result of errors or omissions in the information included in this document.
6. When using or otherwise relying on the information in this document, you should evaluate the information in light of the total system before deciding about the applicability of such information to the intended application. Renesas makes no representations, warranties or guaranties regarding the suitability of its products for any particular application and specifically disclaims any liability arising out of the application and use of the information in this document or Renesas products.
7. With the exception of products specified by Renesas as suitable for automobile applications, Renesas products are not designed, manufactured or tested for applications or otherwise in systems the failure or malfunction of which may cause a direct threat to human life or create a risk of human injury or which require especially high quality and reliability such as safety systems, or equipment or systems for transportation and traffic, healthcare, combustion control, aerospace and aeronautics, nuclear power, or undersea communication transmission. If you are considering the use of our products for such purposes, please contact a Renesas sales office beforehand. Renesas shall have no liability for damages arising out of the uses set forth above.
8. Notwithstanding the preceding paragraph, you should not use Renesas products for the purposes listed below:
  - (1) artificial life support devices or systems
  - (2) surgical implantations
  - (3) healthcare intervention (e.g., excision, administration of medication, etc.)
  - (4) any other purposes that pose a direct threat to human lifeRenesas shall have no liability for damages arising out of the uses set forth in the above and purchasers who elect to use Renesas products in any of the foregoing applications shall indemnify and hold harmless Renesas Technology Corp., its affiliated companies and their officers, directors, and employees against any and all damages arising out of such applications.
9. You should use the products described herein within the range specified by Renesas, especially with respect to the maximum rating, operating supply voltage range, movement power voltage range, heat radiation characteristics, installation and other product characteristics. Renesas shall have no liability for malfunctions or damages arising out of the use of Renesas products beyond such specified ranges.
10. Although Renesas endeavors to improve the quality and reliability of its products, IC products have specific characteristics such as the occurrence of failure at a certain rate and malfunctions under certain use conditions. Please be sure to implement safety measures to guard against the possibility of physical injury, and injury or damage caused by fire in the event of the failure of a Renesas product, such as safety design for hardware and software including but not limited to redundancy, fire control and malfunction prevention, appropriate treatment for aging degradation or any other applicable measures. Among others, since the evaluation of microcomputer software alone is very difficult, please evaluate the safety of the final products or system manufactured by you.
11. In case Renesas products listed in this document are detached from the products to which the Renesas products are attached or affixed, the risk of accident such as swallowing by infants and small children is very high. You should implement safety measures so that Renesas products may not be easily detached from your products. Renesas shall have no liability for damages arising out of such detachment.
12. This document may not be reproduced or duplicated, in any form, in whole or in part, without prior written approval from Renesas.
13. Please contact a Renesas sales office if you have any questions regarding the information contained in this document, Renesas semiconductor products, or if you have any other inquiries.



**RENESAS SALES OFFICES**

<http://www.renesas.com>

Refer to "<http://www.renesas.com/en/network>" for the latest and detailed information.

**Renesas Technology America, Inc.**

450 Holger Way, San Jose, CA 95134-1368, U.S.A  
Tel: <1> (408) 382-7500, Fax: <1> (408) 382-7501

**Renesas Technology Europe Limited**

Dukes Meadow, Millboard Road, Bourne End, Buckinghamshire, SL8 5FH, U.K.  
Tel: <44> (1628) 585-100, Fax: <44> (1628) 585-900

**Renesas Technology (Shanghai) Co., Ltd.**

Unit 204, 205, AZIACenter, No.1233 Lujiazui Ring Rd, Pudong District, Shanghai, China 200120  
Tel: <86> (21) 5877-1818, Fax: <86> (21) 6887-7898

**Renesas Technology Hong Kong Ltd.**

7th Floor, North Tower, World Finance Centre, Harbour City, 1 Canton Road, Tsimshatsui, Kowloon, Hong Kong  
Tel: <852> 2265-6688, Fax: <852> 2730-6071

**Renesas Technology Taiwan Co., Ltd.**

10th Floor, No.99, Fushing North Road, Taipei, Taiwan  
Tel: <886> (2) 2715-2888, Fax: <886> (2) 2713-2999

**Renesas Technology Singapore Pte. Ltd.**

1 Harbour Front Avenue, #06-10, Keppel Bay Tower, Singapore 098632  
Tel: <65> 6213-0200, Fax: <65> 6278-8001

**Renesas Technology Korea Co., Ltd.**

Kukje Center Bldg. 18th Fl., 191, 2-ka, Hangang-ro, Yongsan-ku, Seoul 140-702, Korea  
Tel: <82> (2) 796-3115, Fax: <82> (2) 796-2145

**Renesas Technology Malaysia Sdn. Bhd**

Unit 906, Block B, Menara Amcorp, Amcorp Trade Centre, No.18, Jalan Persiaran Barat, 46050 Petaling Jaya, Selangor Darul Ehsan, Malaysia  
Tel: <603> 7955-9390, Fax: <603> 7955-9510