

# SILICON PIN SWITCHING DIODE

**DESCRIPTION:**

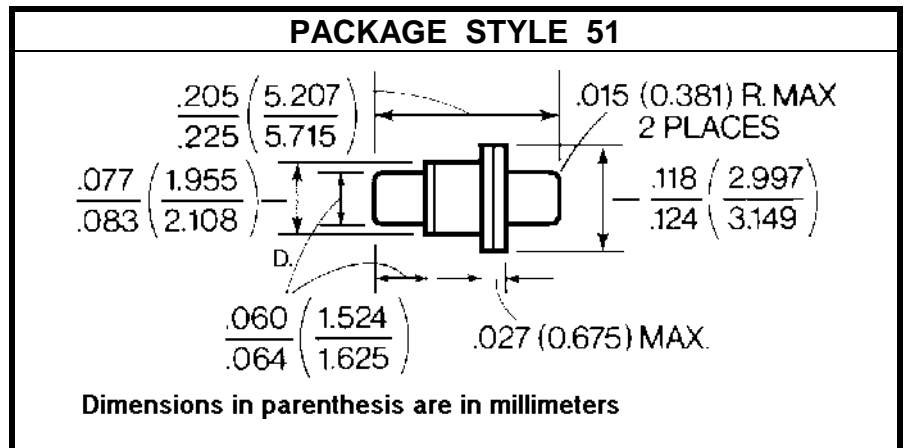
The **ASI MA47080-30** is a Passivated Silicon PIN Switching Diode. Designed for control applications such as RF Switching, Limiting, Duplexing, Phase Shifting Variable Attenuation, Modulation, and Pulse forming.

**FEATURES:**

- Hermetically Sealed Package
- Glass Passivation

**MAXIMUM RATINGS**

<b>I</b>	100 mA
<b>V</b>	500 V
<b>P<sub>DISS</sub></b>	10 W @ T <sub>C</sub> = 25 °C
<b>T<sub>J</sub></b>	-65 °C to +175 °C
<b>T<sub>STG</sub></b>	-65 °C to +200 °C


**CHARACTERISTICS** T<sub>C</sub> = 25 °C

SYMBOL	TEST CONDITIONS	MINIMUM	TYPICAL	MAXIMUM	UNITS
V <sub>B</sub>	I <sub>R</sub> = 10 μA	500			V
C <sub>T</sub>	V <sub>R</sub> = 150 V f = 1.0 MHz	0.40		0.70	pF
R <sub>S</sub>	I <sub>F</sub> = 100 mA f = 500 MHz			0.45	Ohms
θ <sub>T</sub>				15	°C/W
T <sub>L</sub>	I <sub>R</sub> = 6.0 mA I <sub>F</sub> = 10 mA		1.5		μS