

SPST Miniature Switch with TTL Compatible Driver, 8.0 to 10.0 GHz

MASWML0004

Features

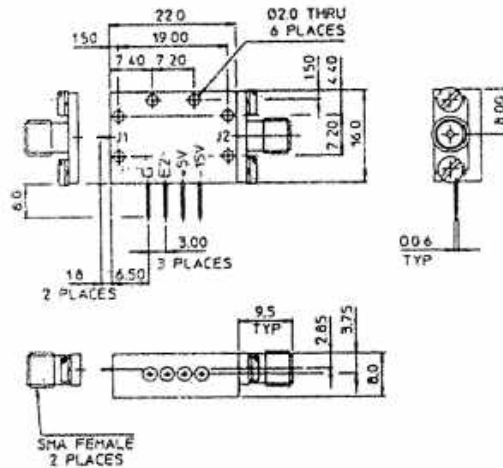
- High Isolation
- Fast Switching
- Hermetically Sealed Housing
- TTL Compatible
- Miniature Outline
- Field Removable Connectors

Description

This SPST reflective switch offers high Isolation & Low Insertion in a miniature outline package. This switch has an integral TTL compatible driver with fast switching. It also consists of a single TTL control. This switch is supplied with field removable connectors. This device can be also integrated directly in the microstrip circuit without connectors. It is a proven design for harsh environments and is suitable for Airborne, Naval & Ground base applications.

Other Mechanical

It has two field replaceable SMA female connected for RF in/out connections. DC connections and TTL controls are supplied through solder pins. This device is supplied with silver finish.



Electrical Performance

(Applies over the frequency range @ +25 °C, output load impedance of 50 ohms. Unless otherwise stated limits & conditions are indicated values.)

Type	Frequency (GHz)	I/Loss max (dB)	Isolation min (dB)	R/Loss min (dB)	S. Speed max (ns)	I/P Power max (mw)	Logic	Power Supply V & mA	Dimensions (Ex-Con) mm	Operating Temp °C	Storage Temp °C
SPST	8.0 - 10.0	1.9	60	12	50	100	'0' = Insertion Loss TTL '1' = Isolation	+5 -15 50 10	16.4x13.5x5.6	-55 to +85	-55 to +125

M/A-COM Inc. and its affiliates reserve the right to make changes to the product(s) or information contained herein without notice.

Visit www.macom.com for additional data sheets and product information.

- North America: Tel. (800) 366-2266
- Asia/Pacific: Tel.+81-44-844-8296, Fax +81-44-844-8298
- Europe: Tel. +44 (1908) 574 200, Fax+44 (1908) 574 300