

EVALUATION KIT
AVAILABLE

MAXIM

1.5MHz Dual 180° Out-of-Phase PWM Step-Down Controller with POR

MAX8529

General Description

The MAX8529 dual, synchronized, step-down controller generates two outputs from input supplies ranging from 4.75V to 23V. Each output is adjustable from sub-1V to 18V. Input voltage ripple and total RMS input ripple current are reduced by synchronized 180-degree out-of-phase operation.

The switching frequency is adjustable from 600kHz to 1.5MHz with an external resistor. Alternatively, the controller can be synchronized to an external clock generated to another MAX8529 or a system clock. One MAX8529 can be set to generate an in-phase, or 90-degree out-of-phase, clock signal for synchronization with additional controllers. This allows two controllers to operate either as an interleaved two- or four-phase system with each output shifted by 90 degrees. These devices also feature soft-start and soft-stop.

The MAX8529 eliminates the need for current-sense resistors by utilizing the low-side MOSFET's on-resistance as a current-sense element. This protects the DC-to-DC components from damage during output overload conditions or when output short circuit faults without requiring a current-sense resistor. Adjustable foldback current limit reduces power dissipation during short-circuit conditions. The MAX8529 includes a power-on reset output to signal the system when both outputs reach regulation.

The MAX8529 is available in a 24-pin QSOP package. An evaluation kit is available to speed designs.

Applications

xDSL Modems and Routers
DSP, ASIC, and FPGA Power Supplies
Set-Top Boxes
Broadband Routers

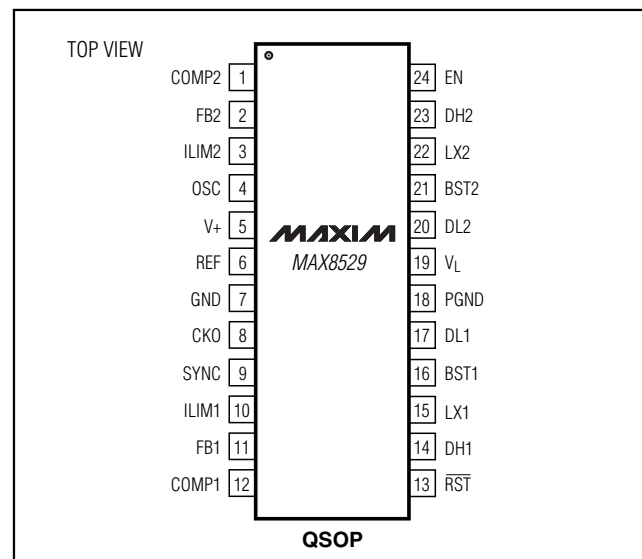
Features

- ◆ Low Output Noise in DSL Band
- ◆ Ceramic Input/Output Capacitors
- ◆ Step-Down or Step-Up/Step-Down Operation
- ◆ Four Output, 90-Degree Out-of-Phase Operation (Using Two MAX8529s)
- ◆ Foldback Current Limit
- ◆ 4.75V to 23V Input Supply Range
- ◆ 0 to 18V Output Voltage Range (Up to 6A)
- ◆ >90% Efficiency
- ◆ Fixed-Frequency PWM Operation
- ◆ Adjustable 600kHz to 1.5MHz Switching Frequency
- ◆ External SYNC Input
- ◆ Clock Output for Master/Slave Synchronization
- ◆ Soft-Start and Soft-Stop
- ◆ $\overline{\text{RST}}$ Output with 140ms Minimum Delay
- ◆ Lossless Current Limit (No Sense Resistor)

Ordering Information

PART	TEMP RANGE	PIN-PACKAGE
MAX8529EEG	-40°C to +85°C	24 QSOP

Pin Configuration



MAXIM

Maxim Integrated Products 1

For pricing, delivery, and ordering information, please contact Maxim/Dallas Direct! at 1-888-629-4642, or visit Maxim's website at www.maxim-ic.com.

1.5MHz Dual 180° Out-of-Phase PWM Step-Down Controller with POR

ABSOLUTE MAXIMUM RATINGS

V+ to GND	-0.3V to +25V	FB1, FB2, $\overline{\text{RST}}$, SYNC, EN to GND	-0.3V to +6V
PGND to GND	-0.3V to +0.3V	V _L to GND Short Circuit	Continuous
V _L to GND	-0.3V to the lower of +6V and (V+ + 0.3V)	REF to GND Short Circuit	Continuous
BST1, BST2 to GND	-0.3V to +30V	Continuous Power Dissipation (T _A = +70°C)	
LX1 to BST1	-6V to +0.3V	24-Pin QSOP (derate 9.4mW/°C above +70°C)	762mW
LX2 to BST2	-6V to +0.3V	Operating Temperature Range	-40°C to +85°C
DH1 to LX1	-0.3V to (V _{BST1} + 0.3V)	Junction Temperature	+150°C
DH2 to LX2	-0.3V to (V _{BST2} + 0.3V)	Storage Temperature Range	-65°C to +150°C
DL1, DL2 to PGND	-0.3V to (V _L + 0.3V)	Lead Temperature (soldering, 10s)	+300°C
CKO, REF, OSC, ILIM1, ILIM2,			
COMP1, COMP2 to GND	-0.3V to (V _L + 0.3V)		

Stresses beyond those listed under "Absolute Maximum Ratings" may cause permanent damage to the device. These are stress ratings only, and functional operation of the device at these or any other conditions beyond those indicated in the operational sections of the specifications is not implied. Exposure to absolute maximum rating conditions for extended periods may affect device reliability.

ELECTRICAL CHARACTERISTICS

(V+ = 12V, EN = ILIM₋ = V_L, SYNC = GND, I_{VL} = 0mA, PGND = GND, C_{REF} = 0.22μF, C_{VL} = 4.7μF (ceramic), R_{OSC} = 10kΩ, compensation components for COMP₋ are from Figure 1, T_A = -40°C to +85°C (Note 1), unless otherwise noted.)

PARAMETER	CONDITIONS	MIN	TYP	MAX	UNITS	
GENERAL						
V+ Operating Range	(Note 2)	4.75		23.00	V	
	V _L = V+ (Note 2)	4.75		5.50		
V+ Operating Supply Current	V _L unloaded, no MOSFETs connected	4.0	4.8	7.0	mA	
V+ Standby Supply Current	EN = LX ₋ = FB ₋ = 0V R _{OSC} = 10kΩ	0.50	0.65	1.00	mA	
Thermal Shutdown	Rising temperature, typical hysteresis = 10°C		160		°C	
Current-Limit Threshold	PGND - LX ₋	ILIM ₋ = V _L	75	100	125	mV
		RILIM ₋ = 100kΩ	32	50	62	
		RILIM ₋ = 600kΩ	225	300	375	
V_L REGULATOR						
Output Voltage	5.5V < V+ < 23V, 1mA < I _{LOAD} < 50mA	4.75	5	5.25	V	
V _L Undervoltage Lockout Trip Level		4.4	4.55	4.7	V	
REFERENCE						
Output Voltage	I _{REF} = 0μA	1.98	2.00	2.02	V	
Reference Load Regulation	0μA < I _{REF} < 50μA	0	4	10	mV	
SOFT-START						
Digital Ramp Period	Internal 6-bit DAC for one converter to ramp from 0V to full scale (Note 3)		1024		DC-to-DC Clocks	
Soft-Start Steps			64		Steps	
FREQUENCY						
Low End of Range	R _{OSC} = 10kΩ	540	600	600	kHz	
High End of Range	R _{OSC} = 5kΩ	1020	1200	1380	kHz	
DH ₋ Minimum Off-Time	R _{OSC} = 5kΩ		110	160	ns	

1.5MHz Dual 180° Out-of-Phase PWM Step-Down Controller with POR

MAX8529

ELECTRICAL CHARACTERISTICS (continued)

(V₊ = 12V, EN = ILIM₋ = V_L, SYNC = GND, I_{VL} = 0mA, PGND = GND, C_{REF} = 0.22μF, C_{VL} = 4.7μF (ceramic), R_{OSC} = 10kΩ, compensation components for COMP₋ are from Figure 1, T_A = -40°C to +85°C (Note 1), unless otherwise noted.)

PARAMETER	CONDITIONS	MIN	TYP	MAX	UNITS
SYNC Range	Internal oscillator nominal frequency must be set to half of the SYNC frequency	1000		2800	kHz
SYNC Input Pulse Width	(Note 3)	High		100	ns
		Low		100	
SYNC Rise/Fall Time	(Note 3)			100	ns
ERROR AMPLIFIER					
FB ₋ Input Bias Current				250	nA
FB ₋ Input Voltage Set Point		0.99	1.00	1.01	V
FB ₋ to COMP ₋ Transconductance	0°C to +85°C	1.25	1.8	2.70	mS
	-40°C to +85°C	1.2	1.8	2.9	
DRIVERS					
DL ₋ , DH ₋ Break-Before-Make Time	C _{LOAD} = 5nF		30		ns
DH ₋ On-Resistance	Low		1.5	2.5	Ω
	High		3	5	
DL ₋ On-Resistance	Low		0.6	1.5	Ω
	High		3	5	
LOGIC INPUTS (EN, SYNC)					
Input Low Level	Typical 15% hysteresis, V _L = 4.75V			0.8	V
Input High Level	V _L = 5.5V	2.4			V
Input High/Low Bias Current	V _{EN} = 0 or 5.5V	-1	+0.1	+1	μA
LOGIC OUTPUTS (CKO)					
Output Low Level	V _L = 5V, sinking 5mA			0.4	V
Output High Level	V _L = 5V, sourcing 5mA	4.0			V
COMP₋					
Pulldown Resistance During Shutdown and Current Limit			17		Ω
RST OUTPUT					
Output-Voltage Trip Level	Both FBs must be over this to allow the reset timer to start; there is no hysteresis	0.87	0.9	0.93	V
Output Low Level	V _L = 5V, sinking 3.2mA			0.4	V
	V _L = 1V, sinking 0.4mA			0.3	
Output Leakage	V ₊ = V _L = 5V, V _{RST} = 5.5V, V _{FB} = 1V			1	μA
Reset Timeout Period	V _{FB₋} = 1V	140	315	560	ms
FB ₋ to Reset Delay	FB ₋ overdrive from 1V to 0.85V		4		μs

Note 1: Specifications to -40°C are guaranteed by design and not production tested.

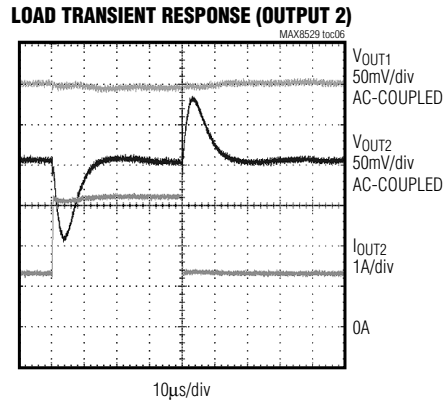
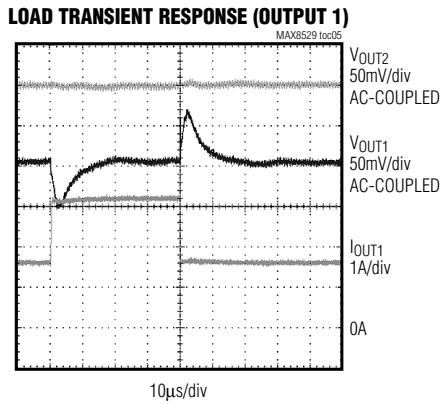
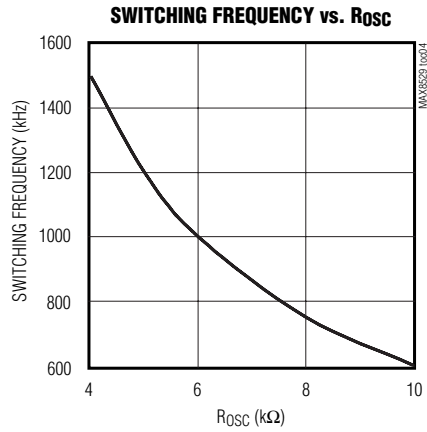
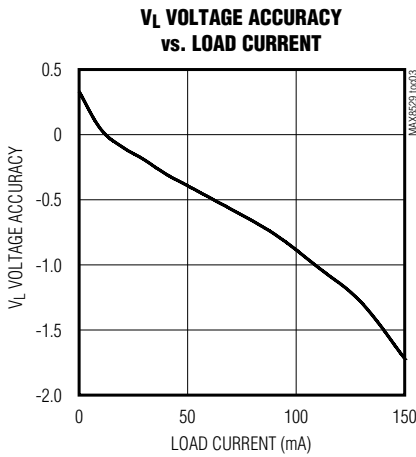
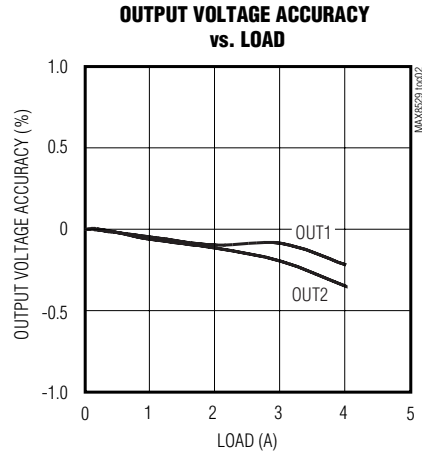
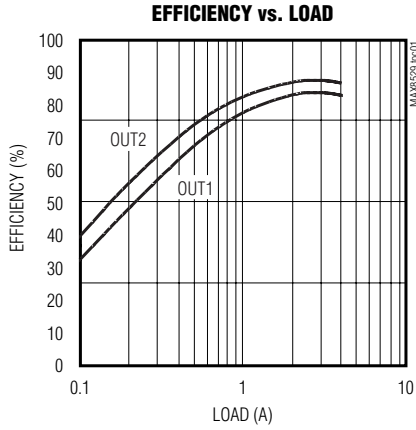
Note 2: Operating supply range is guaranteed by V_L line regulation test. Connect V₊ to V_L for 5V operation.

Note 3: Guaranteed by design and not production tested.

1.5MHz Dual 180° Out-of-Phase PWM Step-Down Controller with POR

Typical Operating Characteristics

(Circuit of Figure 1, $V_{IN} = 6V$, $T_A = +25^\circ C$, unless otherwise noted.)



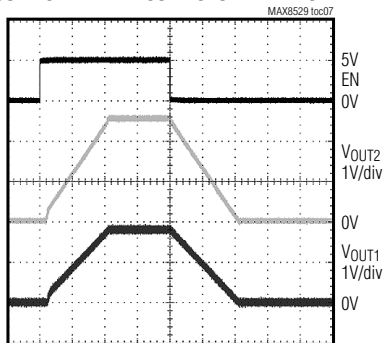
1.5MHz Dual 180° Out-of-Phase PWM Step-Down Controller with POR

Typical Operating Characteristics (continued)

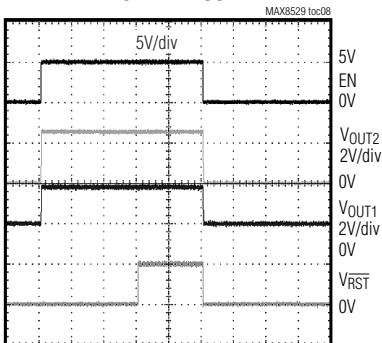
(Circuit of Figure 1, $V_{IN} = 6V$, $T_A = +25^\circ C$, unless otherwise noted.)

MAX8529

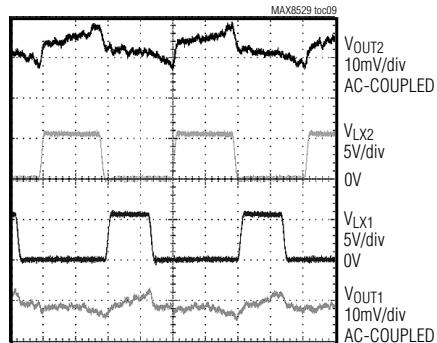
SOFT-START AND SOFT-STOP WAVEFORM



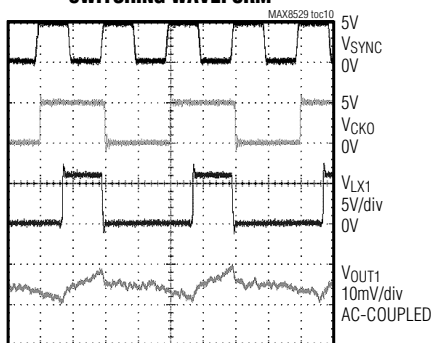
RESET TIMEOUT



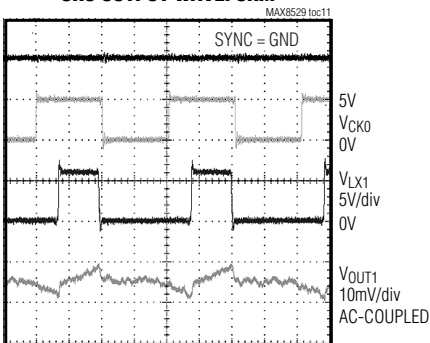
OUT-OF-PHASE WAVEFORM



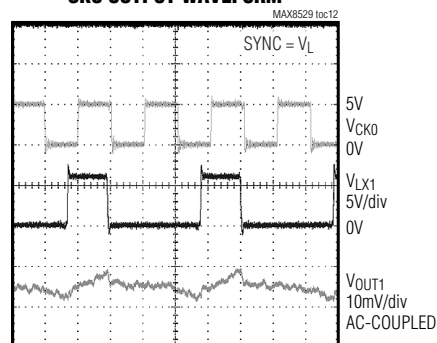
EXTERNALLY SYNCHRONIZED SWITCHING WAVEFORM



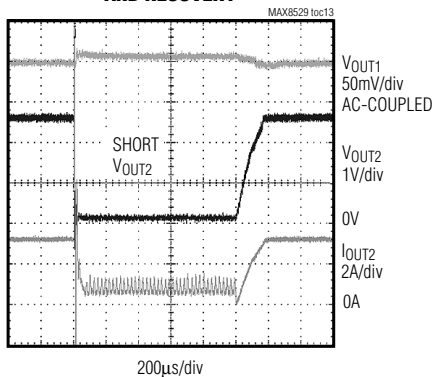
CKO OUTPUT WAVEFORM



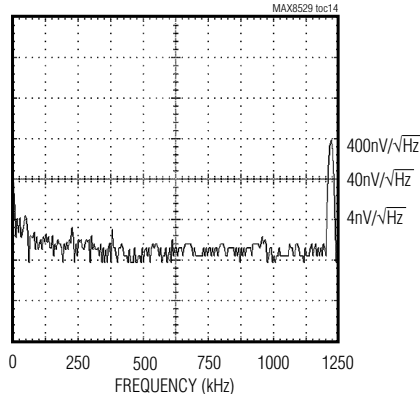
CKO OUTPUT WAVEFORM



SHORT-CIRCUIT CURRENT FOLDBACK AND RECOVERY



OUTPUT2 NOISE SPECTRUM



1.5MHz Dual 180° Out-of-Phase PWM Step-Down Controller with POR

Pin Description

PIN	NAME	FUNCTION
1	COMP2	Compensation Pin for Regulator 2 (REG2). Compensate REG2's control loop as shown in Figure 1.
2	FB2	Feedback Input for Regulator 2 (REG2). Connect FB2 to a resistive-divider between REG2's output and GND to adjust the output voltage between 1V and 18V. To set the output voltage below 1V, connect FB2 to a resistive voltage-divider from REF to REG2's output (see the <i>Setting the Output Voltage</i> section).
3	ILIM2	Current-Limit Adjustment for Regulator 2 (REG2). The PGND-LX2 current-limit threshold defaults to 100mV if ILIM2 is connected to V _L . Connect a resistor (R _{ILIM2}) from ILIM2 to GND to adjust the REG2's current-limit threshold (V _{ITH2}) from 50mV (R _{ILIM2} = 100kΩ) to 300mV (R _{ILIM2} = 600kΩ) (see the <i>Setting the Valley Current Limit</i> section).
4	OSC	Oscillator Frequency Set Input. The controller generates the clock signal by dividing down the oscillator, so the switching frequency equals half the synchronization frequency (f _{sw} = f _{OSC} / 2). Connect a resistor from OSC to GND (R _{OSC}) to set the switching frequency from 600kHz (R _{OSC} = 10kΩ) to 1500kHz (R _{OSC} = 4kΩ). The controller still requires R _{OSC} when an external clock is connected to SYNC. When using SYNC, set R _{OSC} for one half of the SYNC input.
5	V+	Input Supply Voltage (4.75V to 23V)
6	REF	2V Reference Output. Bypass to GND with a 0.22μF or greater ceramic capacitor.
7	GND	Analog Ground
8	CKO	Clock Output. Clock Output for external 2- or 4-phase synchronization (see the <i>Clock Synchronization (SYNC, CKO)</i> section).
9	SYNC	Synchronization Input or Clock Output Selection Input. SYNC has three operating modes. Connect SYNC to a 1200kHz to 2800kHz clock for external synchronization. Connect SYNC to GND for 2-phase operation as a master controller. Connect SYNC to V _L for 4-phase operation as a master controller (see the <i>Clock Synchronization (SYNC, CKO)</i> section).
10	ILIM1	Current-Limit Adjustment for Regulator 1 (REG1). The PGND-LX1 current-limit threshold defaults to 100mV if ILIM1 is connected to V _L . Connect a resistor (R _{ILIM1}) from ILIM1 to GND to adjust REG1's current-limit threshold (V _{ITH1}) from 50mV (R _{ILIM1} = 100kΩ) to 300mV (R _{ILIM1} = 600kΩ) (see the <i>Setting the Valley Current Limit</i> section).
11	FB1	Feedback Input for Regulator 1 (REG1). Connect FB1 to a resistive-divider between REG1's output and GND to adjust the output voltage between 1V and 18V. To set the output voltage below 1V, connect FB1 to a resistive voltage-divider from REF and REG1's output (see the <i>Setting the Output Voltage</i> section).
12	COMP1	Compensation Pin for Regulator 1 (REG1). Compensate REG1's control loop as shown in Figure 1.
13	$\overline{\text{RST}}$	Open-Drain Reset Output. $\overline{\text{RST}}$ is low when either output voltage is more than 10% below its regulation point. After soft-start is completed and both outputs exceed 90% of their nominal output voltage (V _{FB_} > 0.9V), $\overline{\text{RST}}$ becomes high impedance after a 140ms delay and remains high impedance as long as both outputs maintain regulation. Connect a resistor between $\overline{\text{RST}}$ and the logic supply for logic-level voltages.

1.5MHz Dual 180° Out-of-Phase PWM Step-Down Controller with POR

MAX8529

Pin Description (continued)

PIN	NAME	FUNCTION
14	DH1	High-Side Gate Driver Output for Regulator 1 (REG1). DH1 swings from LX1 to BST1.
15	LX1	External Inductor Connection for Regulator 1 (REG1). Connect LX1 to the switched side of the inductor. LX1 serves as the lower supply rail for the DH1 high-side gate driver.
16	BST1	Boost Flying-Capacitor Connection for Regulator 1 (REG1). Connect BST1 to an external ceramic capacitor and diode according to Figure 1.
17	DL1	Low-Side Gate-Driver Output for Regulator 1 (REG1). DL1 swings from PGND to V _L .
18	PGND	Power Ground
19	V _L	Internal 5V Linear-Regulator Output. Supplies the regulators and powers the low-side gate drivers and external boost circuitry for the high-side gate drivers.
20	DL2	Low-Side Gate-Driver Output for Regulator 2 (REG2). DL2 swings from PGND to V _L .
21	BST2	Boost Flying-Capacitor Connection for Regulator 2 (REG2). Connect BST2 to an external ceramic capacitor and diode according to Figure 1.
22	LX2	External Inductor Connection for Regulator 2 (REG2). Connect LX2 to the switched side of the inductor. LX2 serves as the lower supply rail for the DH2 high-side gate driver.
23	DH2	High-Side Gate-Driver Output for Regulator 2 (REG2). DH2 swings from LX2 to BST2.
24	EN	Active-High Enable Input. A logic low shuts down both controllers. Connect to V _L for always-on operation.

Detailed Description

DC-to-DC PWM Controller

The MAX8529 step-down converter uses a PWM voltage-mode control scheme (Figure 2) for each out-of-phase controller. The controller generates the clock signal by dividing down the internal oscillator or SYNC input when driven by an external clock, so each controller's switching frequency equals half the oscillator frequency ($f_{sw} = f_{osc} / 2$). An internal transconductance error amplifier produces an integrated error voltage at the COMP pin, providing high DC accuracy. The voltage at COMP sets the duty cycle using a PWM comparator and a ramp generator. At each rising edge of the clock, REG1's high-side N-channel MOSFET turns on and remains on until either the appropriate duty cycle or until the maximum duty cycle is reached. REG2 operates out-of-phase, so the second high-side MOSFET turns on at each falling edge of the clock. During each high-side MOSFET's on-time, the associated inductor current ramps up.

During the second-half of the switching cycle, the high-side MOSFET turns off and the low-side N-channel MOSFET turns on. Now the inductor releases the stored energy as its current ramps down, providing current to

the output. Under overload conditions, when the inductor current exceeds the selected valley current limit (see the *Current-Limit Circuit (ILIM_)* section), the high-side MOSFET does not turn on at the appropriate clock edge and the low-side MOSFET remains on to let the inductor current ramp down.

Synchronized Out-of-Phase Operation

The two independent regulators in the MAX8529 operate 180 degrees out-of-phase to reduce input filtering requirements, reduce electromagnetic interference (EMI), and improve efficiency. This effectively lowers component cost and saves board space, making the MAX8529 ideal for cost-sensitive applications.

Dual-switching regulators typically operate both controllers in-phase, and turn on both high-side MOSFETs at the same time. The input capacitor must then support the instantaneous current requirements of both controllers simultaneously, resulting in increased ripple voltage and current when compared to a single switching regulator. The higher RMS ripple current lowers efficiency due to power loss associated with the input capacitor's effective series resistance (ESR). This typically requires more low-ESR input capacitors in parallel to minimize input voltage ripple and ESR-related losses, or to meet the necessary ripple-current rating.

1.5MHz Dual 180° Out-of-Phase PWM Step-Down Controller with POR

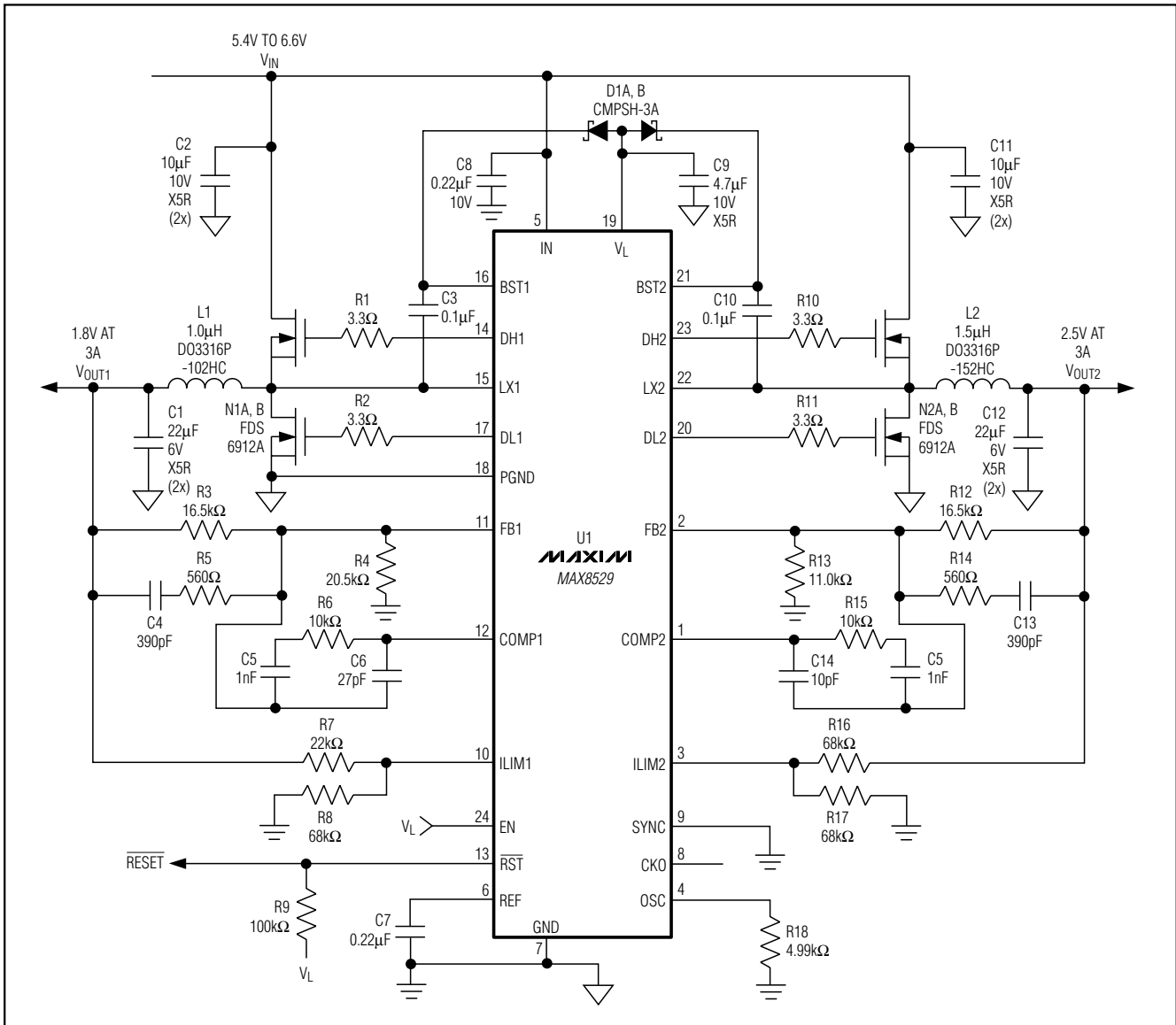


Figure 1. Standard Application Circuit

With dual synchronized out-of-phase operation, the MAX8529's high-side MOSFETs turn on 180 degrees out-of-phase. The instantaneous input current peaks of both regulators no longer overlap, resulting in reduced RMS ripple current and input voltage ripple. This reduces the required input capacitor ripple-current rating, allowing fewer or less expensive capacitors, and reduces shielding requirements for EMI. The out-of-phase waveforms in the *Typical Operating Characteristics* demonstrate synchronized 180-degree out-of-phase operation.

Internal 5V Linear Regulator (VL)

All MAX8529 functions are internally powered from an on-chip, low-dropout 5V regulator. The maximum regulator input voltage (V+) is 23V. Bypass the regulator's output (VL) with a 4.7μF ceramic capacitor to PGND. The VL dropout voltage is typically 500mV, so when V+ is greater than 5.5V, VL is typically 5V. The MAX8529 also employs an undervoltage lockout circuit that disables both regulators when VL falls below 4.5V.

1.5MHz Dual 180° Out-of-Phase PWM Step-Down Controller with POR

MAX8529

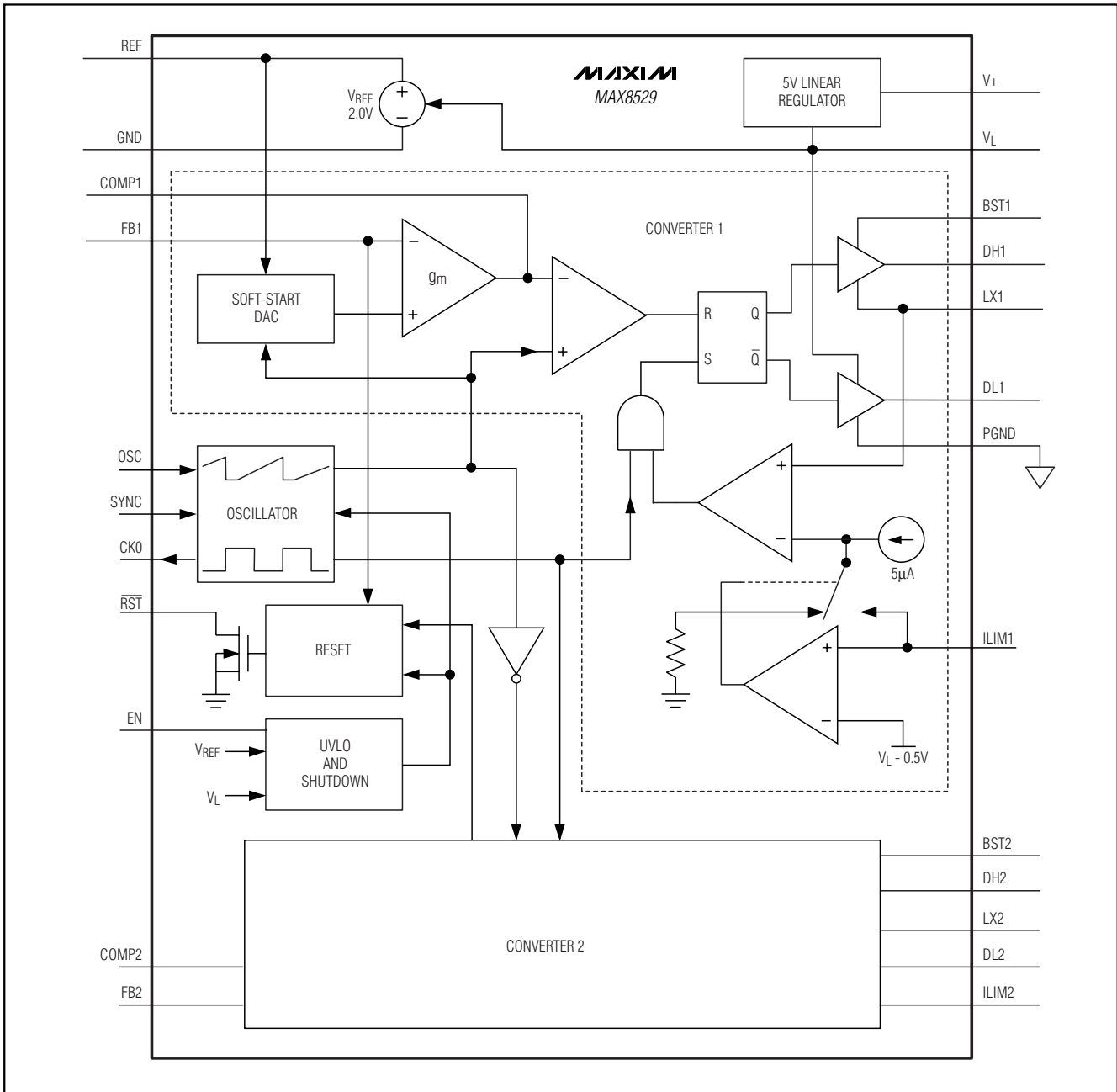


Figure 2. Functional Diagram

The internal V_L linear regulator can source over 50mA to supply the IC, power the low-side gate driver, charge the external boost capacitor, and supply small external loads. When driving large FETs, little or no regulator current may be available for external loads.

For example, when switched at 600kHz, a single large FET with 18nC total gate charge requires $18\text{nC} \times 600\text{kHz} = 11\text{mA}$. To drive larger MOSFETs, or deliver larger loads, connect V_L to an external power supply from 4.75V to 5.5V.

1.5MHz Dual 180° Out-of-Phase PWM Step-Down Controller with POR

High-Side Gate-Drive Supply (BST₋)

Gate-drive voltages for the high-side N-channel switches are generated by the flying-capacitor boost circuits (Figure 3). A boost capacitor (connected from BST₋ to LX₋) provides power to the high-side MOSFET driver.

On startup, the synchronous rectifier (low-side MOSFET) forces LX₋ to ground and charges the boost capacitor to 5V. On the second half-cycle, after the low-side MOSFET turns off, the high-side MOSFET is turned on by closing an internal switch between BST₋ and DH₋. This provides the necessary gate-to-source voltage to turn on the high-side switch, an action that boosts the 5V gate-drive signal above V_{IN}. The current required to drive the high-side MOSFET gates (f_{SWITCH} × Q_G) is ultimately drawn from VL.

MOSFET Gate Drivers (DH₋, DL₋)

The DH and DL drivers are optimized for driving moderate-size N-channel high-side and larger low-side power MOSFETs. This is consistent with the low duty factor seen with a large V_{IN} - V_{OUT} differential. The DL₋ low-side drive waveform is always the complement of the DH₋ high-side drive waveform (with controlled dead time to prevent cross-conduction or “shoot-through”). An adaptive dead-time circuit monitors the DL₋ output and prevents the high-side FET from turning on until DL₋ is fully off. There must be a low-resistance, low-inductance path from the DL₋ driver to the MOSFET gate in order for the adaptive dead-time circuit to work properly. Otherwise, the sense circuitry in the MAX8529 interprets the MOSFET gate as “off” while there is actually charge still left on the gate. Use very short, wide traces (50mils to 100mils wide if the MOSFET is 1in from the device). The dead time at the DH off edge is determined by a fixed 30ns internal delay.

Synchronous rectification reduces conduction losses in the rectifier by replacing the normal low-side Schottky catch diode with a low-resistance MOSFET switch. Additionally, the MAX8529 uses the synchronous rectifier to ensure proper startup of the boost gate-driver circuit and to provide the current-limit signal.

The internal pulldown transistor that drives DL₋ low is robust, with a 0.5Ω (typ) on-resistance. This low on-resistance helps prevent DL₋ from being pulled up during the fast rise-time of the LX₋ node, due to capacitive coupling from the drain to the gate of the low-side synchronous-rectifier MOSFET. However, for high-current applications, some combinations of high- and low-side FETs can cause excessive gate-drain coupling, leading to poor efficiency, EMI, and shoot-through currents. This can be remedied by adding a resistor (typically less than 5Ω) in series with BST₋, which increases the turn-on time of the high-side FET without degrading the turn-off time (Figure 3).

Current-Limit Circuit (ILIM₋)

The current-limit circuit employs a “valley” current-sensing algorithm that uses the on-resistance of the low-side MOSFET as a current-sensing element. If the current-sense signal is above the current-limit threshold, the MAX8529 does not initiate a new cycle (Figure 4). Since valley current sensing is employed, the actual peak current is greater than the current-limit threshold by an amount equal to the inductor ripple current. Therefore, the exact current-limit characteristic and maximum load capability are a function of the low-side MOSFET’s on-resistance, current-limit threshold, inductor value, and input voltage. The reward for this uncertainty is robust, lossless overcurrent sensing that does not require costly sense resistors.

The adjustable current limit accommodates MOSFETs with a wide range of on-resistance characteristics (see the *Design Procedure* section). The current-limit threshold is adjusted with an external resistor at ILIM₋ (Figure 1). The adjustment range is from 50mV to 300mV, corresponding to resistor values of 100kΩ to

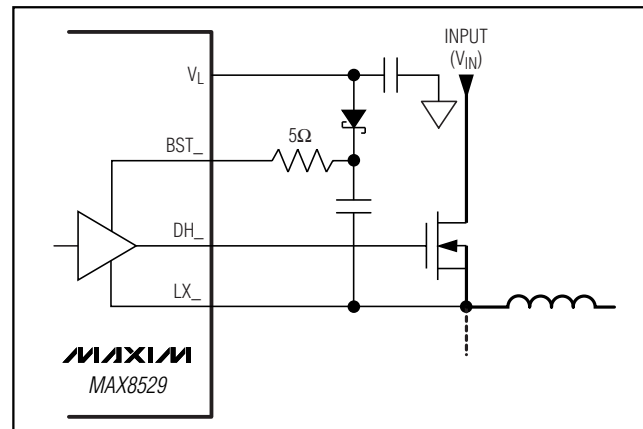


Figure 3. Reducing the Switching-Node Rise Time

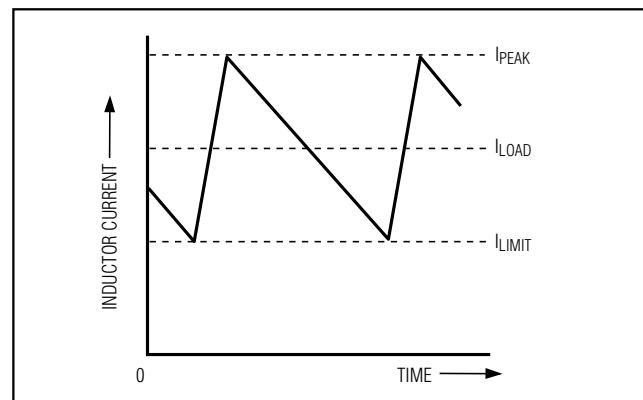


Figure 4. “Valley” Current-Limit Threshold Point

1.5MHz Dual 180° Out-of-Phase PWM Step-Down Controller with POR

600k Ω . In adjustable mode, the current-limit threshold across the low-side MOSFET is precisely 1/10th the voltage seen at ILIM_. However, the current-limit threshold defaults to 100mV when ILIM is connected to V_L. The logic threshold for switchover to this 100mV default value is approximately V_L - 0.5V.

Adjustable foldback current limit reduces power dissipation during short-circuit conditions (see the *Design Procedure* section).

Carefully observe the PC board layout guidelines to ensure that noise and DC errors do not corrupt the current-sense signals seen by LX_ and PGND. The IC must be mounted close to the low-side MOSFET with short direct traces making a Kelvin sense connection so that trace resistance does not add to the intended sense resistance of the low-side MOSFET.

Undervoltage Lockout and Startup

If V_L drops below 4.5V, the MAX8529 assumes that the supply and reference voltages are too low to make valid decisions and activates the undervoltage lockout (UVLO) circuitry, which forces DH low and DL high to inhibit switching. $\overline{\text{RST}}$ is also forced low during UVLO. After V_L rises above 4.5V, the controller powers up the outputs.

Enable (EN), Soft-Start, and Soft-Stop

Pull EN high to enable or low to shut down both regulators. During shutdown the supply current drops to 1mA (max), LX enters a high-impedance state (DH_ connected to LX_, and DL_ connected to PGND), and COMP_ is discharged to GND through a 17 Ω resistor. V_L and REF remain active in shutdown. For “always-on” operation, connect EN to V_L.

On the rising edge of EN both controllers enter soft-start. Soft-start gradually ramps up to the reference voltage seen by the error amplifier in order to control the outputs’ rate of rise and reduce input surge currents during startup. The soft-start period is 1024 clock cycles (1024/f_{sw}), and the internal soft-start DAC ramps up the voltage in 64 steps. The output reaches regulation when soft-start is completed. On the falling edge of EN both controllers simultaneously enter soft-stop, which reverses the soft-start ramp. The part enters shutdown after soft-stop is complete.

Reset Output

$\overline{\text{RST}}$ is an open-drain output. $\overline{\text{RST}}$ pulls low when either output falls below 90% of its nominal regulation voltage. Once both outputs exceed 90% of their nominal regulation voltages and both soft-start cycles are completed, $\overline{\text{RST}}$ goes high impedance. To obtain a logic-voltage output, connect a pullup resistor from $\overline{\text{RST}}$ to the logic supply

voltage. A 100k Ω resistor works well for most applications. If unused, leave $\overline{\text{RST}}$ grounded or unconnected.

Clock Synchronization (SYNC, CKO)

SYNC serves two functions: SYNC selects the clock output (CKO) type used to synchronize slave controllers, or it serves as a clock input so the MAX8529 can be synchronized with an external clock signal. This allows the MAX8529 to function as either a master or slave. CKO provides a clock signal synchronized to the MAX8529’s switching frequency, allowing either in-phase (SYNC = GND) or 90-degrees out-of-phase (SYNC = V_L) synchronization of additional DC-to-DC controllers (Figure 5). The MAX8529 supports the following three operating modes:

- **SYNC = GND:** The CKO output frequency equals REG1’s switching frequency (f_{CKO} = f_{DH1}) and the CKO signal is in phase with REG1’s switching frequency. This provides 2-phase operation when synchronized with a second slave controller.
- **SYNC = V_L:** The CKO output frequency equals two times REG1’s switching frequency (f_{CKO} = 2f_{DH1}) and the CKO signal is phase shifted by 90 degrees with respect to REG1’s switching frequency. This provides 4-phase operation when synchronized with a second MAX8529 (slave controller).
- **SYNC Driven by External Oscillator:** The controller generates the clock signal by dividing down the SYNC input signal, so that the switching frequency equals half the synchronization frequency (f_{sw} = f_{SYNC} / 2). REG1’s conversion cycles initiate on the rising edge of the internal clock signal. The CKO output frequency and phase match REG1’s switching frequency (f_{CKO} = f_{DH1}) and the CKO signal is in phase. Note that the MAX8529 still requires R_{OSC} when SYNC is externally clocked and the internal oscillator frequency should be set to 50% of the synchronization frequency (f_{OSC} = 0.5 f_{SYNC}).

Thermal-Overload Protection

Thermal-overload protection limits total power dissipation in the MAX8529. When the device’s die junction temperature exceeds T_J = +160°C, an on-chip thermal sensor shuts down the device, forcing DL_ and DH_ low, allowing the IC to cool. The thermal sensor turns the part on again after the junction temperature cools by 10°C. During thermal shutdown, the regulators shut down, $\overline{\text{RST}}$ goes low, and soft-start is reset. If the V_L linear-regulator output is short-circuited, thermal-overload protection is triggered.

1.5MHz Dual 180° Out-of-Phase PWM Step-Down Controller with POR

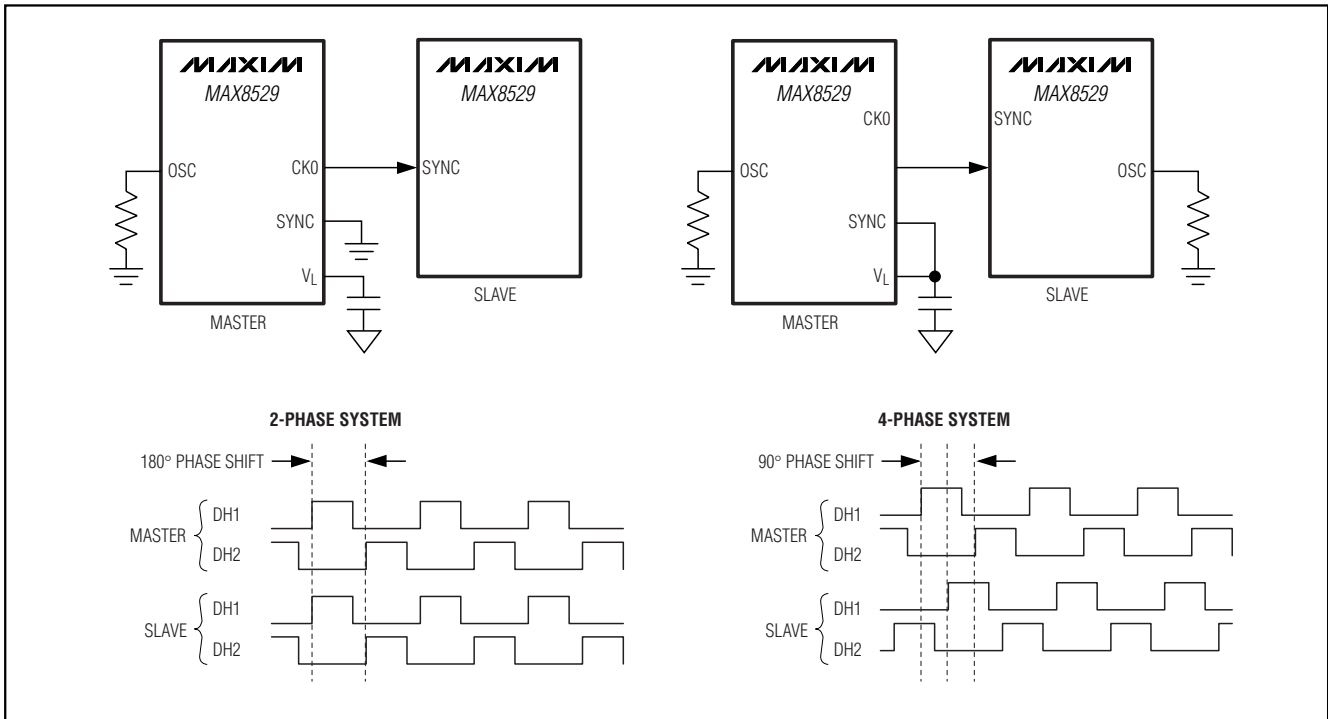


Figure 5. Synchronized Controllers

Design Procedure

Effective Input Voltage Range

Although the MAX8529 controllers can operate from input supplies ranging from 4.75V to 23V, the input voltage range can be effectively limited by the MAX8529's duty-cycle limitations. The maximum input voltage is limited by the minimum on-time ($t_{ON(MIN)}$):

$$V_{IN(MAX)} \leq \frac{V_{OUT}}{t_{ON(MIN)}f_{SW}}$$

where $t_{ON(MIN)}$ is 100ns. The minimum input voltage is limited by the maximum duty cycle ($D_{MAX} = 0.875$):

$$V_{IN(MIN)} = \left[\frac{V_{OUT} + V_{DROP1}}{0.875} \right] + V_{DROP2} - V_{DROF}$$

where V_{DROP1} is the sum of the parasitic voltage drops in the inductor discharge path, including synchronous rectifier, inductor, and PC board resistances. V_{DROP2} is the sum of the resistances in the charging path, including high-side switch, inductor, and PC board resistances.

Setting the Output Voltage

For 1V or greater output voltages, set the MAX8529 output voltage by connecting a voltage-divider from the output to FB_- to GND (Figure 6). Select R_B (FB_- to GND resistor) to between 1k Ω and 10k Ω . Calculate R_A (OUT_- to FB_- resistor) with the following equation:

$$R_A = R_B \left[\left(\frac{V_{OUT}}{V_{SET}} \right) - 1 \right]$$

where $V_{SET} = 1V$ (see the *Electrical Characteristics*) and V_{OUT} can range from V_{SET} to 18V.

For output voltages below 1V, set the MAX8529 output voltage by connecting a voltage-divider from the output to FB_- to REF (Figure 6). Select R_C (FB_- to REF resistor) in the 1k Ω to 10k Ω range. Calculate R_A with the following equation:

$$R_A = R_C \left(\frac{V_{SET} - V_{OUT}}{V_{REF} - V_{SET}} \right)$$

where $V_{SET} = 1V$, $V_{REF} = 2V$ (see the *Electrical Characteristics*), and V_{OUT} can range from 0 to V_{SET} .

1.5MHz Dual 180° Out-of-Phase PWM Step-Down Controller with POR

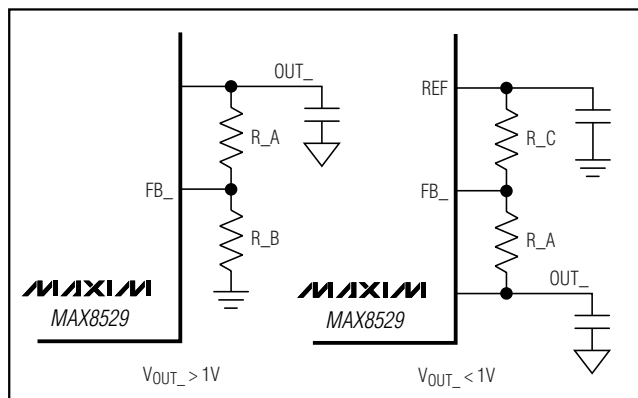


Figure 6. Adjustable Output Voltage

Setting the Switching Frequency

The controller generates the clock signal by dividing down the internal oscillator or SYNC input signal when driven by an external oscillator, so the switching frequency equals half the oscillator frequency ($f_{SW} = f_{OSC}/2$). The internal oscillator frequency is set by a resistor (R_{OSC}) connected from OSC to GND. The relationship between f_{SW} and R_{OSC} is:

$$R_{OSC} = \frac{6 \times 10^9 \frac{\Omega \cdot \text{Hz}}{\text{S}}}{f_{SW}}$$

where f_{SW} is in Hz, f_{OSC} is in Hz, and R_{OSC} is in Ω . For example, a 600kHz switching frequency is set with $R_{OSC} = 10\text{k}\Omega$. Higher frequencies allow designs with lower inductor values and less output capacitance. Consequently, peak currents and I^2R losses are lower at higher switching frequencies, but core losses, gate-charge currents, and switching losses increase.

A rising clock edge on SYNC is interpreted as a synchronization input. If the SYNC signal is lost, the internal oscillator takes control of the switching rate, returning the switching frequency to that set by R_{OSC} . This maintains output regulation even with intermittent SYNC signals. When an external synchronization signal is used, R_{OSC} should set the switching frequency to one half SYNC rate (f_{SYNC}).

Inductor Selection

Three key inductor parameters must be specified for operation with the MAX8529: inductance value (L), peak-inductor current (I_{PEAK}), and DC resistance (R_{DC}). The following equation assumes a constant ratio of inductor peak-to-peak AC current to DC average current (LIR). For LIR values too high, the RMS currents are

high, and therefore I^2R losses are high. Large inductances must be used to achieve very low LIR values. Typically inductance is proportional to resistance (for a given package type), which again makes I^2R losses high for very low LIR values. A good compromise between size and loss is a 30% peak-to-peak ripple current to average-current ratio (LIR = 0.3). The switching frequency, input voltage, output voltage, and selected LIR determine the inductor value as follows:

$$L = \frac{V_{OUT}(V_{IN} - V_{OUT})}{V_{IN}f_{SW}I_{OUT}LIR}$$

where V_{IN} , V_{OUT} , and I_{OUT} are typical values (so that efficiency is optimum for typical conditions). The switching frequency is set by R_{OSC} (see the *Setting the Switching Frequency* section). The exact inductor value is not critical and can be adjusted in order to make trade-offs among size, cost, and efficiency. Lower inductor values minimize size and cost, but also improve transient response and reduce efficiency due to higher peak currents. On the other hand, higher inductance increases efficiency by reducing the RMS current. However, resistive losses due to extra wire turns can exceed the benefit gained from lower AC current levels, especially when the inductance is increased without also allowing larger inductor dimensions.

Find a low-loss inductor having the lowest possible DC resistance that fits in the allotted dimensions. The inductor's saturation rating must exceed the peak-inductor current at the maximum defined load current ($I_{LOAD(MAX)}$):

$$I_{PEAK} = I_{LOAD(MAX)} + \left(\frac{LIR}{2}\right) I_{LOAD(MAX)}$$

Setting the Valley Current Limit

The minimum current-limit threshold must be high enough to support the maximum expected load current with the worst-case low-side MOSFET on-resistance value since the low-side MOSFET's on-resistance is used as the current-sense element. The inductor's valley current occurs at $I_{LOAD(MAX)}$ minus half of the ripple current. The current-sense threshold voltage (V_{ITH}) should be greater than the voltage on the low-side MOSFET during the ripple-current valley:

$$V_{ITH} > R_{DS(ON,MAX)} \times I_{LOAD(MAX)} \times \left(1 - \frac{LIR}{2}\right)$$

where $R_{DS(ON)}$ is the on-resistance of the low-side MOSFET (N_L). Use the maximum value for $R_{DS(ON)}$

1.5MHz Dual 180° Out-of-Phase PWM Step-Down Controller with POR

from the low-side MOSFET's data sheet, an additional margin to account for $R_{DS(ON)}$ rise with temperature is also recommended. A good general rule is to allow 0.5% additional resistance for each °C of the MOSFET junction temperature rise.

Connect $ILIM_{-}$ to V_L for the default 100mV (typ) current-limit threshold. For an adjustable threshold, connect a resistor ($R_{ILIM_{-}}$) from $ILIM_{-}$ to GND. The relationship between the current-limit threshold ($V_{ITH_{-}}$) and $R_{ILIM_{-}}$ is:

$$R_{ILIM_{-}} = \frac{V_{ITH_{-}}}{0.5\mu A}$$

where $R_{ILIM_{-}}$ is in Ω and $V_{ITH_{-}}$ is in V.

An R_{ILIM} resistance range of 100k Ω to 600k Ω corresponds to a current-limit threshold of 50mV to 300mV. When adjusting the current limit, 1% tolerance resistors minimize error in the current-limit threshold.

For foldback current limit, a resistor (R_{FBI}) is added from $ILIM$ pin to output. The value of R_{ILIM} and R_{FBI} can then be calculated as follows:

First select the percentage of foldback, P_{FB} , from 15% to 30%, then:

$$R_{FBI} = \frac{P_{FB} \times V_{OUT}}{5 \times 10^{-6}(1 - P_{FB})}$$

and

$$R_{ILIM} = \frac{10 \times V_{ITH}(1 - P_{FB}) \times R_{FBI}}{[V_{OUT} - 10 \times V_{ITH}(1 - P_{FB})]}$$

Input Capacitor

The input filter capacitor reduces peak currents drawn from the power source and reduces noise and voltage ripple on the input caused by the circuit's switching. The input capacitor must meet the ripple current requirement (I_{RMS}) imposed by the switching currents as defined by the following equation:

$$I_{RMS} = I_{LOAD} \frac{\sqrt{V_{OUT}(V_{IN} - V_{OUT})}}{V_{IN}}$$

I_{RMS} has a maximum value when the input voltage equals twice the output voltage ($V_{IN} = 2V_{OUT}$), so $I_{RMS(MAX)} = I_{LOAD} / 2$. For most applications, nontantalum capacitors (ceramic, aluminum, polymer, or OS-CON) are preferred at the input due to their robustness with high inrush currents typical of systems that can be powered from very low impedance sources. Additionally, two (or more) smaller-value low-ESR capacitors can be connected in parallel for lower cost. Choose an input capacitor that

exhibits less than 10°C temperature rise at the RMS input current for optimal long-term reliability.

Output Capacitor

The key selection parameters for the output capacitor are capacitance value, ESR, and voltage rating. These parameters affect the overall stability, output ripple voltage, and transient response. The output ripple has two components: variations in the charge stored in the output capacitor, and the voltage drop across the capacitor's ESR caused by the current flowing into and out of the capacitor:

$$V_{RIPPLE} \cong V_{RIPPLE(ESR)} + V_{RIPPLE(C)}$$

The output voltage ripple as a consequence of the ESR and output capacitance is:

$$V_{RIPPLE(ESR)} = I_{P-P} R_{ESR}$$

$$V_{RIPPLE(C)} = \frac{I_{P-P}}{8C_{OUT}f_{SW}}$$

$$I_{P-P} = \left(\frac{V_{IN} - V_{OUT}}{f_{SW}L} \right) \left(\frac{V_{OUT}}{V_{IN}} \right)$$

where I_{P-P} is the peak-to-peak inductor current (see the *Inductor Selection* section). These equations are suitable for initial capacitor selection, but final values should be verified by testing in a prototype or evaluation circuit.

As a general rule, a smaller inductor ripple current results in less output ripple voltage. Since inductor ripple current depends on the inductor value and input voltage, the output ripple voltage decreases with larger inductance and increases with higher input voltages. However, the inductor ripple current also impacts transient-response performance, especially at low $V_{IN} - V_{OUT}$ differentials. Low inductor values allow the inductor current to slew faster, replenishing charge removed from the output filter capacitors by a sudden load step. The amount of output-voltage sag is also a function of the maximum duty factor, which can be calculated from the minimum off-time and switching frequency:

$$V_{SAG} = \frac{L(I_{LOAD1} - I_{LOAD2})^2 \left[\left(\frac{V_{OUT}}{V_{IN}f_{SW}} \right) + t_{OFF(MIN)} \right]}{2C_{OUT}V_{OUT} \left[\left(\frac{V_{IN} - V_{OUT}}{V_{IN}f_{SW}} \right) - t_{OFF(MIN)} \right]}$$

where $t_{OFF(MIN)}$ is the minimum off-time (see the *Electrical Characteristics*), and f_{SW} is set by R_{OSC} (see the *Setting the Switching Frequency* section).

1.5MHz Dual 180° Out-of-Phase PWM Step-Down Controller with POR

Compensation

The high switching frequency range of the MAX8529 allows the use of ceramic output capacitors. Since the ESR of ceramic capacitors is typically very low, the frequency of the associated transfer function zero is higher than the unity-gain crossover frequency and the zero cannot be used to compensate for the double pole created by the output inductor and capacitor. The solution is Type 3 compensation which takes advantage of local feedback to create two zeros and three poles (Figure 7). The frequency of the poles and zeros are described below:

$$f_{p1} = 0$$

$$f_{p2} = \frac{1}{2\pi \times R2 \times C3}$$

$$f_{p3} = \frac{1}{2\pi \times R1 \times \frac{(C1 \times C2)}{(C1 + C2)}}$$

$$f_{LC} = \frac{1}{2\pi \sqrt{L_O} \times C_O}$$

$$f_{z1} = \frac{1}{2\pi \times R1 \times C1}$$

$$f_{z2} = \frac{1}{2\pi \times (R2 + R3) \times C3}$$

$$f_{ZESR} = \frac{1}{2\pi \times R_{ESR} \times C_O}$$

Unity-gain crossover frequency:

$$f_0 = R1 \times C3 \times \frac{V_{IN,MAX}}{V_{OSC}} \times \frac{1}{2\pi \times L_O \times C_O}$$

where:

$V_{IN,MAX}$ = Maximum input voltage

V_{OSC} = Oscillator ramp voltage = 1V

L_O = Output inductance

C_O = Output capacitance

The goal is to place the two zeros below crossover and the two poles above crossover so that crossover occurs with a single-pole slope. The compensation procedure is as follows:

- 1) Select the crossover frequency such that:

$$f_0 < f_{ZESR} \text{ and } f_0 < \frac{1}{5} \times f_s$$

f_s = switching frequency

- 2) Select R1 such that:

$$R1 > \frac{2}{g_m}$$

- 3) Place the first zero before the double pole:

$$C1 \geq \frac{1}{2\pi \times (0.75) \times f_{LC} \times R1}$$

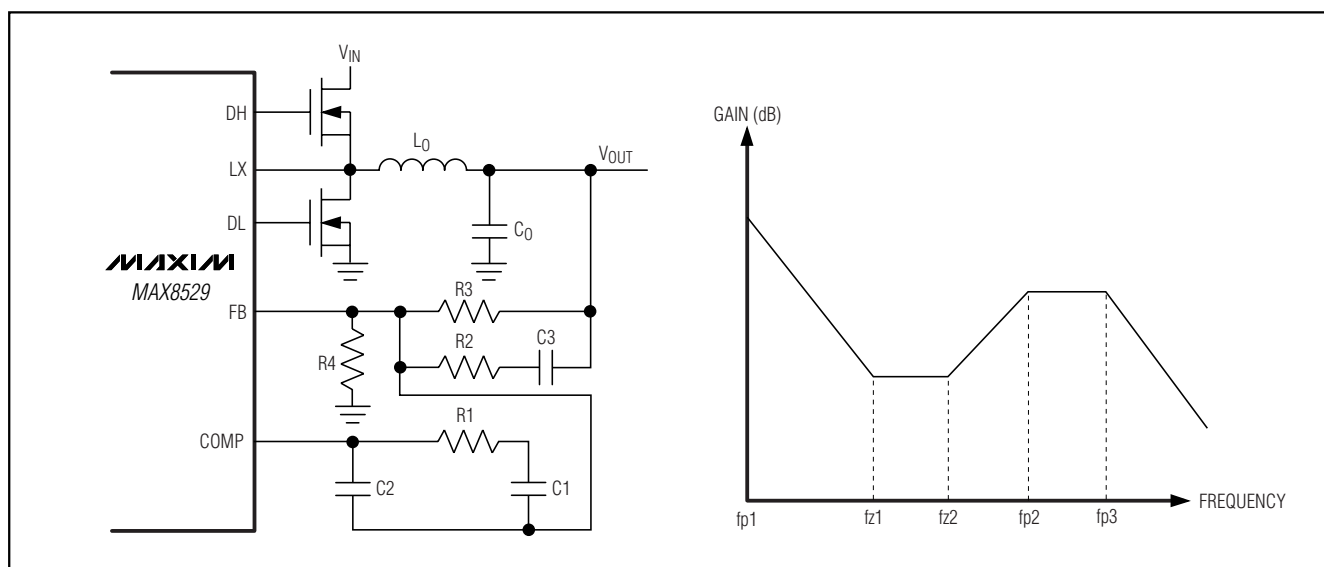


Figure 7. Compensation Network and Asymptotic Transfer Function

1.5MHz Dual 180° Out-of-Phase PWM Step-Down Controller with POR

4) Place the third pole at 1/2 the switching frequency.

$$C2 \leq \frac{1}{2\pi \times (0.5) \times f_S \times R1}$$

$C2 < 10\text{pF}$ can be omitted.

$$5) C3 \leq \frac{2\pi \times f_0 \times L_O \times C_O}{R1} \times \frac{V_{OSC}}{V_{IN}}$$

6) Place the second pole after the ESR zero:

$$R2 \leq \frac{1}{2\pi \times f_{ZESR} \times C3}$$

If $R2 < \frac{1}{g_m}$ ($= 550\Omega$), increase $R1$ and go back to step 2.

7) Place the second zero at the double pole frequency:

$$R3 \geq \frac{1}{2\pi \times f_{LC} \times C3} - R2$$

8) Set the output voltage:

$$R4 = \frac{V_{FB}}{V_{OUT} - V_{FB}} \times R3, V_{FB} = 1V$$

MOSFET Selection

The MAX8529's step-down controller drives two external logic-level N-channel MOSFETs as the circuit switch elements. The key selection parameters are:

- On-resistance ($R_{DS(ON)}$)
- Maximum drain-to-source voltage ($V_{DS(MAX)}$)
- Minimum threshold voltage ($V_{TH(MIN)}$)
- Total gate charge (Q_g)
- Reverse transfer capacitance (C_{RSS})
- Power dissipation

All four N-channel MOSFETs must be a logic-level type with guaranteed on-resistance specifications at $V_{GS} \geq 4.5V$. For maximum efficiency, choose a high-side MOSFET ($N_{H_}$) that has conduction losses equal to the switching losses at the optimum input voltage. Check to ensure that the conduction losses at minimum input voltage do not exceed MOSFET package thermal limits, or violate the overall thermal budget. Also, check to ensure that the conduction losses plus switching losses at the maximum input voltage do not exceed package ratings or violate the overall thermal budget.

Ensure that the MAX8529 $DL_$ gate drivers can drive $N_{L_}$. In particular, check that the dv/dt caused by $N_{H_}$ turning on does not pull up the $N_{L_}$ gate through $N_{L_}$'s drain-to-gate capacitance. This is the most frequent cause of cross-conduction problems.

Gate-charge losses are dissipated by the driver and do not heat the MOSFET. All MOSFETs must be selected so that their total gate charge is low enough that V_L can power all four drivers without overheating the IC:

$$P_{VL} = V_{IN} \times Q_{G_TOTAL} \times f_{SW}$$

MOSFET package power dissipation often becomes a dominant design factor. I^2R power losses are the greatest heat contributor for both high-side and low-side MOSFETs. I^2R losses are distributed between $N_{H_}$ and $N_{L_}$ according to duty factor as shown in the equations below. Switching losses affect only the high-side MOSFET, since the low-side MOSFET is a zero-voltage switched device when used in the buck topology.

Calculate MOSFET temperature rise according to package thermal-resistance specifications to ensure that both MOSFETs are within their maximum junction temperature at high ambient temperature. The worst-case dissipation for the high-side MOSFET (P_{NH}) occurs at both extremes of input voltage, and the worst-case dissipation for the low-side MOSFET (P_{NL}) occurs at maximum input voltage.

$$P_{NH(SWITCHING)} = \frac{V_{IN} I_{LOAD} f_{OSC}}{2} \left(\frac{Q_{GS} + Q_{GD}}{I_{GATE}} \right)$$

I_{GATE} is the average DH driver output current capability determined by:

$$I_{GATE} = \frac{V_L}{2(R_{DS(ON)DH} + R_{GATE})}$$

where $R_{DS(ON)DH}$ is the high-side MOSFET driver's on-resistance (5Ω max), and R_{GATE} is any series resistance between DH and BST (Figure 3).

$$P_{NH(CONDUCTION)} = I_{LOAD}^2 R_{DS(ON)NH} \left(\frac{V_{OUT}}{V_{IN}} \right)$$

$$P_{NH(TOTAL)} = P_{NH(SWITCHING)} + P_{NH(CONDUCTION)}$$

$$P_{NL} = I_{LOAD}^2 R_{DS(ON)NL} \left(1 - \left(\frac{V_{OUT}}{V_{IN}} \right) \right)$$

where $P_{NH(CONDUCTION)}$ is the conduction power loss in the high-side MOSFET, and P_{NL} is the total low-side power loss.

1.5MHz Dual 180° Out-of-Phase PWM Step-Down Controller with POR

To reduce EMI caused by switching noise, add a 0.1μF ceramic capacitor from the high-side switch drain to the low-side switch source or add resistors in series with DL_ and DH_ to increase the MOSFETs' turn-on and turn-off times.

Applications Information

Independent Shutdown

The two controllers in the MAX8529 can be shut down independently by pulling COMP to ground. DH is forced low and DL is forced high to inhibit switching. Digital soft-stop is not active when using this method for shutdown and the output voltage can go negative. Use a Schottky clamp diode to limit the negative swing of the output voltage.

When COMP is released, DH and DL resume switching. In this mode, digital soft-start is not active and the inrush current is limited by the foldback current limit.

Dropout Performance

When working with low input voltages, the output voltage adjustable range for continuous-conduction operation is restricted by the minimum off-time ($t_{OFF(MIN)}$). For best dropout performance, use the lowest (600kHz) switching-frequency setting. Manufacturing tolerances and internal propagation delays introduce an error to the switching frequency and minimum off-time specifications. This error is more significant at higher frequencies. Also, keep in mind that transient response performance of buck regulators operated close to dropout is poor, and bulk output capacitance must often be added (see the VSAG equation in the *Design Procedure* section).

The absolute point of dropout is when the inductor current ramps down during the minimum off-time (ΔI_{DOWN}) as much as it ramps up during the maximum on-time (ΔI_{UP}). The ratio $h = \Delta I_{UP} / \Delta I_{DOWN}$ is an indicator of the ability to slew the inductor current higher in response to increased load, and must always be greater than 1. As h approaches 1, the absolute minimum dropout point, the inductor current cannot increase as much during each switching cycle and VSAG greatly increases unless additional output capacitance is used.

A reasonable minimum value for h is 1.5, but adjusting this up or down allows tradeoffs between VSAG, output capacitance, and minimum operating voltage.

For a given value of h , the minimum operating voltage can be calculated as:

$$V_{IN(MIN)} = \left[\frac{V_{OUT} + V_{DROPP1}}{1 - hf_{SW}t_{OFF(MIN)}} \right] + V_{DROPP2} - V_{DROPP1}$$

where V_{DROPP1} is the sum of the parasitic voltage drops in the inductor discharge path, including synchronous rectifier, inductor, and PC board resistances; V_{DROPP2} is the sum of the resistances in the charging path, including high-side switch, inductor, and PC board resistances; and $t_{OFF(MIN)}$ is from the *Electrical Characteristics*. The absolute minimum input voltage is calculated with $h = 1$.

If the calculated $V_{+(MIN)}$ is greater than the required minimum input voltage, then reduce the operating frequency or add output capacitance to obtain an acceptable VSAG. If operation near dropout is anticipated, calculate VSAG to be sure of adequate transient response.

Dropout Design Example:

$$V_{OUT} = 5V$$

$$f_{SW} = 600kHz$$

$$t_{OFF(MIN)} = 250ns$$

$$V_{DROPP1} = V_{DROPP2} = 100mV$$

$$h = 1.5$$

$$V_{IN(MIN)} = \left[\frac{5V + 100mV}{1 - 1.5(600kHz)(250ns)} \right] + 100mV - 100mV = 6.58V$$

Calculating again with $h = 1$ gives the absolute limit of dropout:

$$V_{IN(MIN)} = \left[\frac{5V + 100mV}{1 - (600kHz)(250ns)} \right] + 100mV - 100mV = 6V$$

Therefore, V_{IN} must be greater than 6V, even with very large output capacitance, and a practical input voltage with reasonable output capacitance would be 6.58V.

Improving Noise Immunity

Applications where the MAX8529 must operate in noisy environments can typically adjust their controller's compensation to improve the system's noise immunity. In particular, high-frequency noise coupled into the feedback loop causes jittery duty cycles. One solution is to lower the crossover frequency (see the *Compensation* section).

PC Board Layout Guidelines

Careful PC board layout is critical to achieve low switching losses and clean, stable operation. This is

1.5MHz Dual 180° Out-of-Phase PWM Step-Down Controller with POR

especially true for dual converters where one channel can affect the other. Refer to the MAX8529 EV kit data sheet for a specific layout example.

If possible, mount all of the power components on the top side of the board with their ground terminals flush against one another. Follow these guidelines for good PC board layout:

- 1) Isolate the power components on the top side from the analog components on the bottom side with a ground shield. Use a separate PGND plane under the OUT1 and OUT2 sides (referred to as PGND1 and PGND2). Avoid the introduction of AC currents into the PGND1 and PGND2 ground planes. Run the power-plane ground currents on the top side only.
- 2) Use a star ground connection on the power plane to minimize the crosstalk between OUT1 and OUT2.
- 3) Keep the high-current paths short, especially at the ground terminals. This practice is essential for stable, jitter-free operation.
- 4) Connect GND and PGND together close to the IC. Do not connect them together anywhere else. Carefully follow the grounding instructions under step 4 of the *Layout Procedure* section.
- 5) Keep the power traces and load connections short. This practice is essential for high efficiency. Use thick copper PC boards (2oz vs. 1oz) to enhance full-load efficiency by 1% or more.
- 6) LX_ and PGND connections to the synchronous rectifiers for current limiting must be made using Kelvin sense connections to guarantee the current-limit accuracy. With 8-pin SO MOSFETs, this is best done by routing power to the MOSFETs from outside using the top copper layer, while connecting PGND and LX_ underneath the 8-pin SO package.
- 7) When trade-offs in trace lengths must be made, allow the inductor-charging path to be made longer than the discharge path. Since the average input current is lower than the average output current in step-down converters, this minimizes the power dissipation and voltage drops caused by board resistance. For example, allow some extra distance between the input capacitors and the high-side MOSFET rather than to allow distance between the inductor and the low-side MOSFET or between the inductor and the output filter capacitor.
- 8) Ensure that the feedback connection to COUT_ is short and direct.
- 9) Route high-speed switching nodes (BST_, LX_, DH_, and DL_) away from the sensitive analog areas (REF, COMP_, ILIM_, and FB_). Use PGND1 and PGND2 as EMI shields to keep radiated noise away from the IC, feedback dividers, and analog bypass capacitors.
- 10) Make all pin-strap control input connections (ILIM_, SYNC, and EN) to analog ground (GND) rather than power ground (PGND).

Layout Procedure

- 1) Place the power components first, with ground terminals adjacent (NL_ source, CIN_, and COUT_). Make all these connections on the top layer with wide, copper-filled areas (2oz copper recommended).
- 2) Mount the controller IC adjacent to the synchronous rectifier MOSFETs (NL_), preferably on the back side in order to keep LX_, PGND_, and DL_ traces short and wide. The DL_ gate trace must be short and wide, measuring 50mils to 100mils wide if the low-side MOSFET is 1in from the controller IC.
- 3) Group the gate-drive components (BST_ diodes and capacitors, and VL_ bypass capacitor) together near the controller IC.
- 4) Make the DC-to-DC controller ground connections as follows:
 - a) Create a small analog ground plane near the IC.
 - b) Connect this plane to GND and use this plane for the ground connection for the reference (REF) V+ bypass capacitor, compensation components, feedback dividers, OSC resistor, and ILIM_ resistors (if any).
 - c) Connect GND and PGND together under the IC (this is the only connection between GND and PGND).
- 5) On the board's top side (power planes), make a star ground to minimize crosstalk between the two sides.

Buck-Boost

The MAX8529 step-down regulator can be configured as a buck-boost (step-up) regulator with the addition of a MOSFET switch and an output diode (Figure 8). When LX is high, the inductor current increases with a slope of V_{IN}

1.5MHz Dual 180° Out-of-Phase PWM Step-Down Controller with POR

MAX8529

/L. When LX is low, the inductor current decreases with a slope of $(V_{OUT} + V_D) / L$. The input and output currents are discontinuous, which allows the output voltage to be greater or less than the input voltage.

The output voltage is a function of the input voltage and the duty cycle:

$$V_{OUT} = \frac{D}{1-D} \times V_{IN}$$

Notice that the output voltage is increased by a factor of $1 / (1 - D)$ compared with a normal step-down regulator. The additional loop gain must be considered when designing the compensation circuit. Solving for D:

$$D_{MAX} = \frac{V_{OUT}}{V_{IN,MIN} + V_{OUT}}$$

and the maximum additional gain is:

$$G = \frac{1}{1 - D_{MAX}}$$

The open-loop gain must be reduced by a factor of G for stability at a given bandwidth compared with a normal step-down regulator. Alternatively, the unity-gain crossover frequency can be reduced by a factor of G when applying the compensation equations.

The output current is a fraction of the peak switch current and depends on the DC current in the inductor:

$$I_{OUT} = (1 - D) \times \left(I_{L,DC} + \frac{1}{2} I_{L,RIPPLE} \right)$$

and

$$I_{PK} = I_{L,DC} + I_{L,RIPPLE}$$

$$\text{Choose } L \approx \frac{V_{IN} \times (1 - D_{MAX}) \times D_{MAX}}{0.4 \times I_{OUT} \times f_{SW}}$$

where f_{SW} is the switching frequency.

$$\text{Choose } C_{OUT} > \frac{I_{OUT} \times D_{MAX}}{V_{RIPPLE} \times f_{SW}}$$

where V_{RIPPLE} is the maximum output ripple voltage and C_{OUT} is a ceramic capacitor. Choose the output Schottky diode to be rated for I_{PK} and V_{OUT} . Similarly, choose the extra MOSFET to be rated for I_{PK} , $V_{GS,BR} > V_{IN}$, and fast switching ($< 50ns$).

The buck-boost portion of the circuit shown in Figure 8 delivers 24V at 50mA with 70% efficiency. A pre-load resistor is used to ensure constant frequency operation over the entire load range.

Chip Information

TRANSISTOR COUNT: 6688

PROCESS: BiCMOS

1.5MHz Dual 180° Out-of-Phase PWM Step-Down Controller with POR

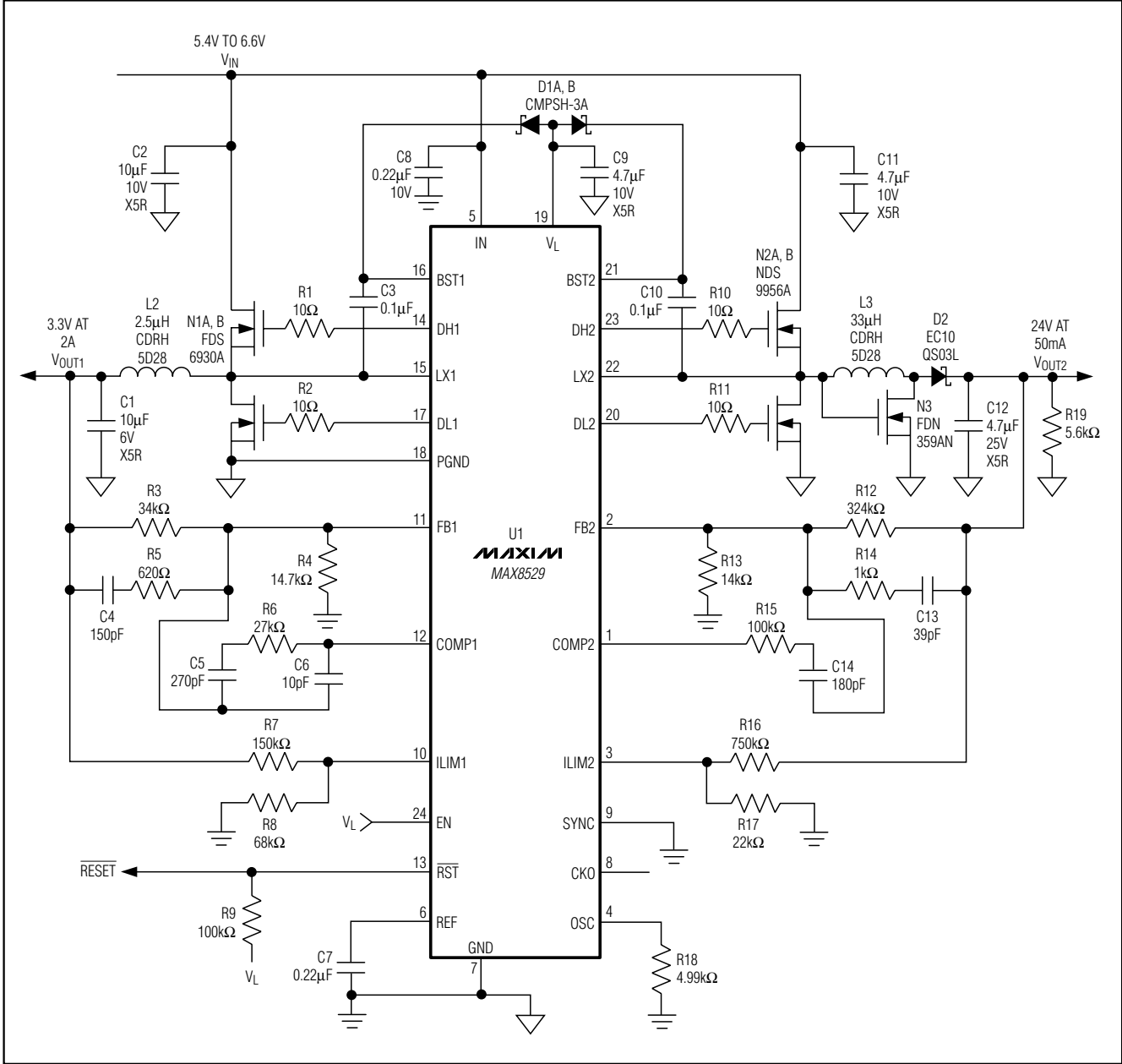


Figure 8. Buck-Boost Application

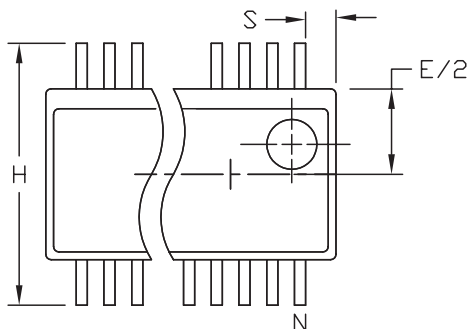
1.5MHz Dual 180° Out-of-Phase PWM Step-Down Controller with POR

MAX8529

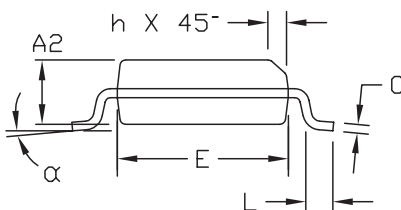
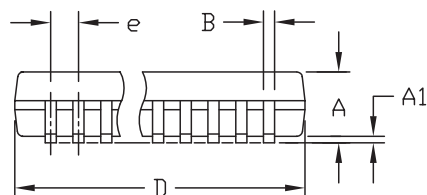
Package Information

(The package drawing(s) in this data sheet may not reflect the most current specifications. For the latest package outline information, go to www.maxim-ic.com/packages.)

QSOP-EPS



DIM	INCHES		MILLIMETERS	
	MIN	MAX	MIN	MAX
A	.061	.068	1.55	1.73
A1	.004	.0098	0.102	0.249
A2	.055	.061	1.40	1.55
B	.008	.012	0.20	0.31
C	.0075	.0098	0.191	0.249
D	SEE VARIATIONS			
E	.150	.157	3.81	3.99
e	.025 BSC		0.635 BSC	
H	.230	.244	5.84	6.20
h	.010	.016	0.25	0.41
L	.016	.035	0.41	0.89
N	SEE VARIATIONS			
α	0°	8°	0°	8°



VARIATIONS:

DIM	INCHES		MILLIMETERS		N
	MIN.	MAX.	MIN.	MAX.	
D	.189	.196	4.80	4.98	16 AA
S	.0020	.0070	0.05	0.18	
D	.337	.344	8.56	8.74	20 AB
S	.0500	.0550	1.270	1.397	
D	.337	.344	8.56	8.74	24 AC
S	.0250	.0300	0.635	0.762	
D	.386	.393	9.80	9.98	28 AD
S	.0250	.0300	0.635	0.762	

NOTES:

- 1). D & E DO NOT INCLUDE MOLD FLASH OR PROTRUSIONS.
- 2). MOLD FLASH OR PROTRUSIONS NOT TO EXCEED .006" PER SIDE.
- 3). CONTROLLING DIMENSIONS: INCHES.
- 4). MEETS JEDEC MO137.

PROPRIETARY INFORMATION

TITLE:
PACKAGE OUTLINE, QSOP, .150", .025" LEAD PITCH

APPROVAL	DOCUMENT CONTROL NO. 21-0055	REV D 1/1
----------	---------------------------------	--------------

Maxim cannot assume responsibility for use of any circuitry other than circuitry entirely embodied in a Maxim product. No circuit patent licenses are implied. Maxim reserves the right to change the circuitry and specifications without notice at any time.

Maxim Integrated Products, 120 San Gabriel Drive, Sunnyvale, CA 94086 408-737-7600 _____ **21**