



MOTOROLA

Order this document by MC13081X/D

MC13081X

MULTIMODE COLOR MONITOR PROCESSOR

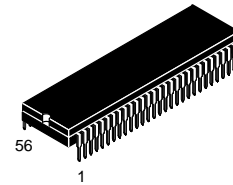
SEMICONDUCTOR TECHNICAL DATA

Advance Information

Multimode Color Monitor Horizontal, Vertical, and Video Combination Processor

The MC13081X includes all the signal processing functions for a scan frequency agile and multiple sync system analog RGB monitor and includes the following functions:

- Automatic Horizontal Frequency Tracking of All Commonly Used Personal Computers, Continuously Adaptable from 30 kHz to 64 kHz
- Sync-on-Green Detection
- Vertical Timebase Operates from 45 to 100 Hz
- Vertical and Horizontal Sync Polarity Detection with Outputs for Mode Switching
- Video Pre-Amplifiers Typical Rise/Fall Time of 5.0 ns at 3.0 Vpp Output Voltage Swing
- Overall Contrast Control and Independent RGB Gain Controls

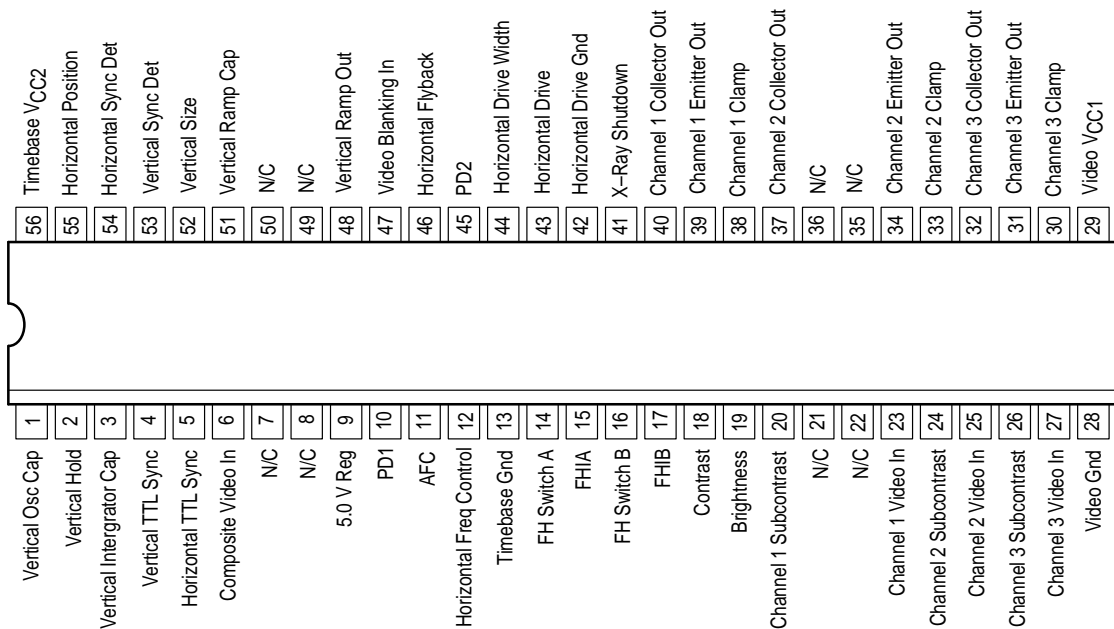


B SUFFIX
PLASTIC SDIP PACKAGE
CASE 859

ORDERING INFORMATION

Device	Operating Temperature Range	Package
MC13081XB	T _A = 0° to +70°C	Plastic SDIP

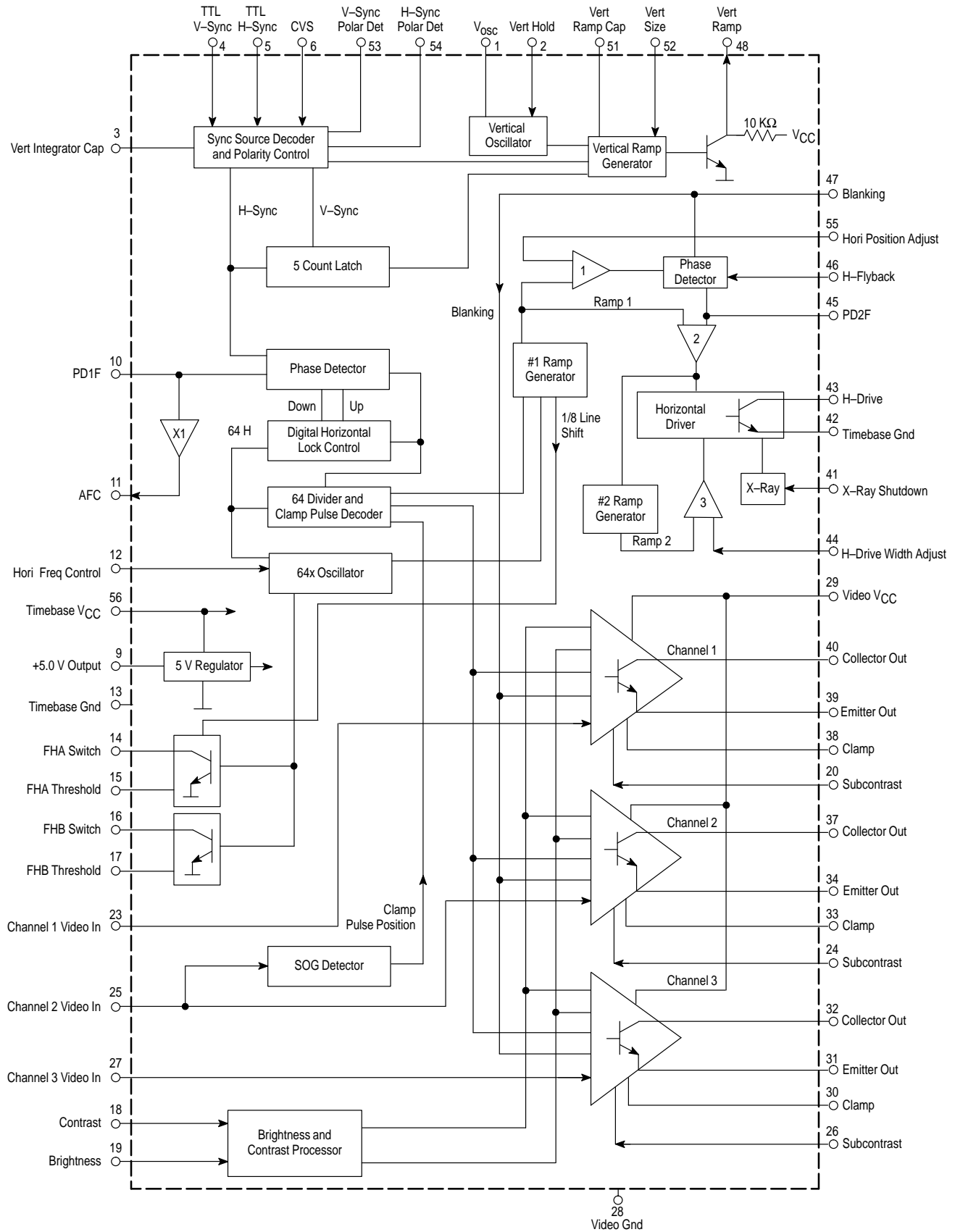
PIN CONNECTIONS



(Top View)

MC13081X

Figure 1. Block Diagram



This device contains 1074 active transistors.

MC13081X

MAXIMUM RATINGS (T_A = 25°C, unless otherwise noted.)

Rating	Pin	Value	Unit
Power Supply Voltage Video Section V _{CC1} Timebase Section V _{CC2}	29 56	-0.5, +10 -0.5, +10	Vdc
Brightness, Contrast, Horizontal Flyback Input, Frequency Switch when Off	19, 18, 46, 14, 16	0 to V _{CC}	Vdc
X-Ray Shutdown	41	-0.5, +0.9	Vdc
Subcontrast RGB Controls	20, 24, 26	0 to +2.0	Vdc
Horizontal Drive Width, Horizontal Position	44, 55	0 to +5.0	Vdc
Voltage on Horizontal Drive when Off, Vertical TTL Sync Input, Horizontal TTL Sync Input, Composite Video Sync Input, Video Amplifier Output Collectors	43, 4, 5, 6, 32, 37, 40	-0.5 to V _{CC} + 0.5	Vdc
Current into Horizontal Drive when On	43	100	mA
Current into Frequency Switch when On	14, 16	30	mA
Video Amplifier Inputs	23, 25, 27	-0.5, + 5.0	Vdc
Video Amplifier Output Current (Total for the Three Channels)	40, 39, 37, 34, 32, 31	120	mA
Storage Temperature	-	-65 to +150	°C
Junction Temperature	-	+150	°C

NOTE: ESD data available upon request.

RECOMMENDED OPERATING CONDITIONS

Characteristic	Pin	Min	Typ	Max	Unit
Power Supply Voltage Video Section V _{CC1} Timebase Section V _{CC2}	29 56	7.6 7.6	8.0 8.0	8.4 8.4	Vdc
Power Supply Voltage Difference, V _{CC2} - V _{CC1}	-	-0.3	0	0.8	Vdc
Internal 5.0 V Regulator Output Current	9	-20	-	0	mA
Contrast Control	18	0	-	5.0	Vdc
Brightness Control	19	0	-	5.0	Vdc
Subcontrast Control	20, 24, 26	0	-	2.0	Vdc
Horizontal Drive Width Adjust	44	0	-	5.0	Vdc
Horizontal Position Adjust	55	1.0	-	4.0	Vdc
Horizontal Flyback Signal Amplitude	46	0.7	5.0	8.0	V
Horizontal Flyback Signal DC Input Voltage Level	46	-0.2	0	-	Vdc
Voltage on Horizontal Drive Collector when "Off"	43	0	-	V _{CC}	V
Current into Horizontal Drive Collector when "On"	43	0	-	40	mA
Voltage on Horizontal Drive Emitter W.R.T. Circuit Ground	42	-0.3	0	2.0	Vdc
Blanking Input Signal Amplitude	47	1.5	-	4.0	V
Voltage on FH Switches when "Off"	14, 16	0	-	8.0	Vdc
Current into each FH Switch when "On"	14, 16	0	-	20	mA
X-Ray Shutdown	41	0	-	0.7	Vdc
Composite Video Sync Input	6	1.0	-	2.0	V _{pp}
Vertical Sync Frequency	-	45	-	100	Hz
Horizontal Sync Frequency	-	30	-	64	kHz
Vertical Sync Pulse Width	-	-	70	-	μs
Horizontal Sync Pulse Width	-	-	1.0	-	μs

MC13081X

RECOMMENDED OPERATING CONDITIONS (continued)

Characteristic	Pin	Min	Typ	Max	Unit
Video Signal Amplitude (with 75 Ω Termination)	23, 25, 27	0.5	0.7	1.2	V _{pp}
Voltage on Video Amplifier Collector	32, 37, 40	4.5	–	V _{CC}	V _{dc}
Current Through Video Collector–Emitter	40, 39, 37 34, 32, 31	0	–	40	mA
Vertical Hold Set Resistance, R9 + VR2 (Figure 2)	2	–	10	–	k Ω
Vertical Size Set Resistance, R10 + VR3 (Figure 2)	52	–	220	–	k Ω
Vertical Linearity Set Resistance, R12 + VR4 (Figure 2)	51	–	1000	–	k Ω
Operating Ambient Temperature	–	0	25	70	$^{\circ}$ C
FH Switches Set Resistance	15, 17	See Application Section 5			–
Vertical TTL Sync Input	4	TTL Voltage Level			V _{dc}
Horizontal TTL Sync Input	5	TTL Voltage Level			V _{dc}

ELECTRICAL CHARACTERISTICS (T_A = 25 $^{\circ}$ C, V_{CC} = 8.0 V_{dc})

Characteristic	Condition	Pin	Min	Typ	Max	Unit
----------------	-----------	-----	-----	-----	-----	------

POWER SUPPLIES

Supply Current Total Consumption	–	29, 56	70	85	110	mA
5.0 V Regulator Output Voltage Line Regulation Load Regulation Temperature Coefficient	Load Current (I _B) = 0 mA 7.6 V < V _{CC} < 8.4 V, I _B = 0 mA –10 mA < I _B < 0 mA	9	4.75 – – –	5.0 25 100 –0.3	5.25 – – –	V _{dc} mV mV mV/ $^{\circ}$ C
Thermal Resistance, Junction–to–Ambient	–	–	–	59	–	$^{\circ}$ C/W

HORIZONTAL PROCESSING

Horizontal Oscillator Frequency Range	–	43	30	–	64	kHz
Horizontal Oscillator Free Running Frequency @ I12 = 240 μ A	Sink 240 μ A from Pin 12 with Resistor R5 Opened	43	29	31	33	kHz
Horizontal Sync Detector Output/+V _E Sync	–	54	–	0	–	V _{dc}
Horizontal Sync Detector Output/–V _E Sync	–	54	–	3.6	–	V _{dc}
Horizontal Sync Input Input Impedance Input Level – Low Input Level – High	–	5	– 0 2.4	22 – –	0 0.8 5.0	k Ω V _{dc} V _{dc}
Composite Video Sync Input Input Impedance Internal Bias Level Minimum Input Amplitude	–	6	– – 0.1	1.0 1.55 –	– – –	k Ω V _{dc} V _{pp}
Short Term Horizontal Pull–In Range	Time < 5.0 ms	–	–	\pm 5.0	–	%FH
Long Term Horizontal Pull–In Range	Time > 500 ms	–	30	–	64	kHz
Horizontal Frequency Control (Current Transfer Constant)	Current Flowing Out of Pin 12	12	115	122	129	Hz/ μ A
Horizontal Free Running Frequency Change versus Temperature	Pin 11 is Opened	–	–	300	–	ppm/ $^{\circ}$ C
FH Switch Threshold Pins Output Current Threshold Hysteresis	–	15, 17	– – 0	112/2 5.0 –	– – 200	μ A V mV
FH Switch Voltage when “On”	I = 10 mA	14, 16	–	–	200	mV _{dc}

MC13081X

ELECTRICAL CHARACTERISTICS (continued) ($T_A = 25^\circ\text{C}$, $V_{CC} = 8.0\text{ Vdc}$)

Characteristic	Condition	Pin	Min	Typ	Max	Unit
HORIZONTAL DRIVE						
Horizontal Position Adjust Range Input Impedance	$0 < V_{55} < 5.0\text{ V}$, FH = 30 k – 56 kHz See Application Section 7	55	– –	10 31	– –	% k Ω
Horizontal Drive Width Adjust Range Input Impedance	FH = 35 kHz, $0 < V_{44} < 5.0\text{ V}$	44	2:1 –	– 30	1:2 –	% k Ω
Horizontal Flyback Threshold Input Amplitude Input Impedance	See Application Section 4 Input Signal Should Not Fall Below -0.2 V	46	– 0 –	0.7 – 10	– 8.0 –	V V k Ω
Horizontal Drive Output Low Output High	$I_{\text{sink}} = 40\text{ mA}$ $V_{43} = V_{CC}$	43	0 –	– –	0.3 100	Vdc μA
Time Delay from Flyback to Video Output Blanking	See Application Section 7	–	–	250	–	ns
Time Delay from Blanking to Video Output Blanking	See Application Section 7	–	–	400	–	ns
X-Ray Shutdown Activate Voltage	See Application Section 11	41	0.4	0.58	0.7	Vdc
Temperature Coefficient of X-Ray Threshold Voltage	–	41	–	-2.3	–	mV/ $^\circ\text{C}$
Horizontal Jitter	$30\text{ kHz} < \text{FH} < 56\text{ kHz}$	43	–	3.0	–	ns

VERTICAL PROCESSING

Vertical Ramp Frequency	–	48	45	–	100	Hz
Vertical Ramp Amplitude Minimum Peak Maximum Peak Output Current Non-Linearity	FV = 50 Hz, R12 + VR4 = 820 k Ω R10 + VR3 = 120 k Ω , C6 = C7 = 1.0 μF	48	– – – – –	3.0 1.9 3.4 2.0 0.45	– – – – 1.0	Vpp V V mA %
Vertical Ramp Free Running Temperature Drift	FV = 50 Hz	48	–	0.01	–	Hz/ $^\circ\text{C}$
Vertical Ramp Free Running Drift with V_{CC}	FV = 50 Hz	48	–	0.5	–	Hz/V
Vertical Ramp Discharge Rate (Retrace)	FV = 50 Hz	48	–	9.5	–	V/ms
Vertical Sync Detector Output/ $+V_E$ Sync		53	–	0	–	Vdc
Vertical Sync Detector Output/ $-V_E$ Sync		53	–	3.6	–	Vdc
Vertical Sync Input Input Impedance Input Level – Low Input Level – High	–	4	– 0 2.4	22 – –	– 0.8 5.0	k Ω Vdc Vdc

VIDEO AMPLIFIERS

Input Impedance Internal DC Bias Voltage	–	23, 25, 27	100 –	– 2.4	– –	k Ω Vdc
Output Signal Amplitude Voltage Gain	$V_{\text{in}} = 0.7\text{ Vpp}$, $V_{18} = 5.0\text{ V}$ $V_{20} = V_{24} = V_{26} = 0\text{ V}$	39, 34, 31	– –	3.6 5.1	– –	Vpp V/V
Contrast Control	$V_{18} = 0$ to 5.0 V ; $V_{20}, 24, 26 = 0\text{ V}$	18	–	20	–	dB
Subcontrast Control	$V_{20}, 24, 26 = 2.0$ to 0 V ; $V_{18} = 5.0\text{ V}$	20, 24, 26	1:2.5	–	–	–
Brightness Control	$V_{19} = 0$ to 5.0 V , Measure Pin 39, 34, 31 DC Level	19	–	± 0.5	–	Vdc

MC13081X

ELECTRICAL CHARACTERISTICS (continued) ($T_A = 25^\circ\text{C}$, $V_{CC} = 8.0\text{ Vdc}$)

Characteristic	Condition	Pin	Min	Typ	Max	Unit
VIDEO AMPLIFIERS						
Emitter DC Level		39, 34, 31				Vdc
Minimum Brightness	$V_{19} = 0\text{ V}$		–	1.0	–	
Nominal Brightness	$V_{19} = 2.5\text{ V}$		1.25	1.5	1.75	
Maximum Brightness	$V_{19} = 5.0\text{ V}$		–	2.0	–	
Crosstalk, Amplifier to Amplifier	Frequency = 10 MHz	39, 34, 31	–	34	–	dB
Output Rise Time	$V_{in} = 0.7\text{ Vpp}$; $V_{out} = 3.0\text{ Vpp}$	39, 34, 31	–	5.0	–	ns
Output Fall Time			–	5.0	–	

PIN FUNCTION DESCRIPTION

Pin	Name	Equivalent Internal Circuit	Description
1	Vertical Oscillator Capacitor		This capacitor should be 100 nF film type to give good temperature stability.
2	Vertical Hold Control		The potentiometer at Pin 2 adjusts the free running frequency of the oscillator. It should normally be set for about 55 Hz with no vertical signal input such that it will lock to 60 Hz.
3	Vertical Integrator Capacitor		The capacitor on this pin integrates the sync pulses with a long time constant. C3 is typically 0.01 μF .
4	Vertical TTL Sync		Vertical TTL Sync input. The input threshold voltage at this pin is 2.0 V.
5	Horizontal TTL Sync		Composite or Horizontal TTL Sync input. The input threshold voltage at this pin is 2.0 V.
6	Composite Video Input		<p>This pin requires a coupling of min 100 nF. The composite sync input should consist of $-V_E$ sync signal only with amplitude $> 500\text{ mVpp}$.</p> <p>The source impedance of the sync signal should be $< 1.0\text{ k}\Omega$.</p> <p>Sync information at Pin 5 will override this pin, but signals at Pin 4 will not.</p> <p>Minimum pulse width is 2.0 μs.</p>
7, 8	N/C		These two pins are internally connected to each other, and nothing else.

MC13081X

PIN FUNCTION DESCRIPTION (continued)

Pin	Name	Equivalent Internal Circuit	Description
9	5.0 V Regulator Output		5.0 V ($\pm 5\%$) regulator. Minimum 10 μF capacitor is required for noise filtering and compensation. Up to 20 mA can be supplied to external circuitry. It can source but not sink current. Output impedance is $\approx 10 \Omega$. This 5.0 V regulator is recommended for use as a reference only.
10	Phase Detector 1 Filter		External components at this pin will determine the PLL gain and phase characteristics. The capacitors should be non-polarized. The voltage at this pin nominally ranges from 1.5 V to 5.0 V with corresponding horizontal frequency from 25 kHz to 68 kHz.
11	Automatic Frequency Control		Pin 11 is a buffered equivalent of Pin 10, and ranges from a minimum of 1.5 V at horizontal high frequency to near 5.0 V at low frequency. Pin 11 can sink a maximum of 1.0 mA, but cannot source current.
12	Horizontal Frequency Range		The current out of Pin 12 determines the horizontal frequency by a current transfer constant of $\approx 122 \text{ Hz}/\mu\text{A}$. Pin 12 is internally maintained at 5.0 V.
13	Timebase Ground		Ground for the timebase section. Connect to a clean, low impedance ground.
14, 16	FH Switch A, B		Pin 14 (Switch A), and Pin 16 (Switch B) are open collector NPN switches to ground. Each switch is "on" when the horizontal frequency is higher than the set points set by resistors at Pins 15 and 17, respectively. Maximum voltage is 8.0 V, and maximum sink current is 20 mA.
15, 17	FH Switch A, B Threshold Setting		Pin 15 and Pin 17 are current mirror at 1/2 of Pin 12 current. External resistors at these pins set the horizontal frequency at which Pins 14 and 16 will switch, respectively. The threshold voltage is 5.0 V.
18	Contrast Control		The input control range is from 0 to 5.0 V. An increase of voltage increases contrast.
19	Brightness Control		The input control range is from 0 to 5.0 V. An increase of voltage increases brightness.

MC13081X

PIN FUNCTION DESCRIPTION (continued)

Pin	Name	Equivalent Internal Circuit	Description
20 24 26	Subcontrast Control Channel 1 Channel 2 Channel 3		Subcontrast controls the gain of each video channel. 0 V for maximum gain, and 2.0 V for minimum gain.
21, 22	N/C		These two pins are internally connected to each other, and nothing else.
23 25 27	Video Inputs Channel 1 Channel 2 Channel 3		The input coupling capacitor is used for input clamp storage. The maximum source impedance is 100 Ω . Polarity of the input video signal is positive. Amplitude should be nominally 0.7 Vpp.
28	Video Ground		Ground for the video section (video amplifiers, contrast and brightness controls, subcontrast, and video reference voltage). Noise from the timebase section, and other digital circuits, should not be allowed to produce ground bounce at this pin.
29	Video VCC1		Connected to a 8.0, V $\pm 5\%$, dc supply. Decoupling is required at this pin.
38 33 30	Video Clamp Channel 1 Channel 2 Channel 3		Normally a 100 nF capacitor is connected to each of these pins.
39 34 31	Video Emitter Output Channel 1 Channel 2 Channel 3		Pins 39, 34, and 31 are the emitter outputs of the three video amplifier, and have an internal 33 Ω resistor. The emitter dc voltage is controlled by the brightness control. The current through each collector and emitter should not exceed 40 mA.
40 37 32	Video Collector Output Channel 1 Channel 2 Channel 3		
35, 36	N/C		These two pins are internally connected to each other, and nothing else.

MC13081X

PIN FUNCTION DESCRIPTION (continued)

Pin	Name	Equivalent Internal Circuit	Description
41	X-Ray Shutdown		If the voltage at this pin is $> 0.58\text{ V}$, the horizontal driver device (Pins 42 and 43) will be "on" until power is removed, or the voltage on this pin is taken below 0.4 V .
42	Horizontal Drive Ground		This emitter pin must be connected externally to a low impedance ground. Pin 43 is an open collector pin and normally is pulled up by a resistor to V_{CC} . Maximum current through Pins 42 and 43 must be less than 40 mA .
43	Horizontal Drive		To Horizontal Deflection Circuit
44	Horizontal Drive Width		Varying the voltage at this pin will change the horizontal drive duty cycle. As the voltage of this pin is increased, the "on" time at Pin 43 is decreased. Input impedance is $\approx 30\text{ k}\Omega$.
45	Secondary Phase Detector Filter		Typically a 10 to 100 nF decoupling capacitor is connected to this pin.
46	Horizontal Flyback		The flyback signal should be a $+V_E$ pulse of peak voltage 8.0 V . The internal switching voltage is 0.7 V and it controls the secondary PLL. Input impedance is $\approx 10\text{ k}\Omega$
47	Video Blanking Input		The video blanking signal should be positive pulse in the range of 1.5 to 4.0 V .

PIN FUNCTION DESCRIPTION (continued)

Pin	Name	Equivalent Internal Circuit	Description
48	Vertical Ramp Output		<p>This ramp signal drives the external vertical output devices.</p> <p>Voltage ramps from 2.0 V to less than 5.0 V, depending on frequency and components at Pins 51 and 52.</p> <p>Loading on this pin must be > 30 kΩ to avoid distorting or clipping the ramp.</p>
49, 50	N/C		These two pins are internally connected to each other, and nothing else.
51	Vertical Ramp Capacitor		<p>The slope of the output ramp is determined by the components at Pins 51 and 52.</p> <p>The resistor at Pin 52 sets the charging current of the capacitor, and therefore the vertical height of the picture.</p> <p>The linearity of the ramp can be modified by external feedback.</p>
52	Vertical Size Control		
53	Vertical Sync Polarity Detector		<p>The output goes low when the vertical sync input polarity is positive. It goes high when the vertical sync input polarity is negative.</p>
54	Horizontal Sync Polarity Detector		
55	Horizontal Position Control		<p>Varying the voltage at this pin will change the horizontal position of the picture.</p> <p>Input impedance is ≈ 31 kΩ.</p>
56	Timebase VCC2		Connected to a 8.0 V, ±5%, dc supply. Decoupling is required at this pin.

MC13081X

APPLICATION INFORMATION

The MC13081X is an integrated multisync color monitor processor. It combines horizontal/vertical deflection processing circuitry and video pre-amplifiers into a single device.

The overall timebase section consists of two parts: horizontal and vertical. The horizontal timebase can be operated from 30 kHz to 64 kHz, and can be driven from TTL separate sync, composite sync, or a composite video signal. There are two PLLs which ensure proper timing throughout the whole system. The first PLL provides line locking of the horizontal sync signal with the built-in oscillator, while the second one maintains fixed timing with the horizontal flyback signal such that a stable display can be achieved.

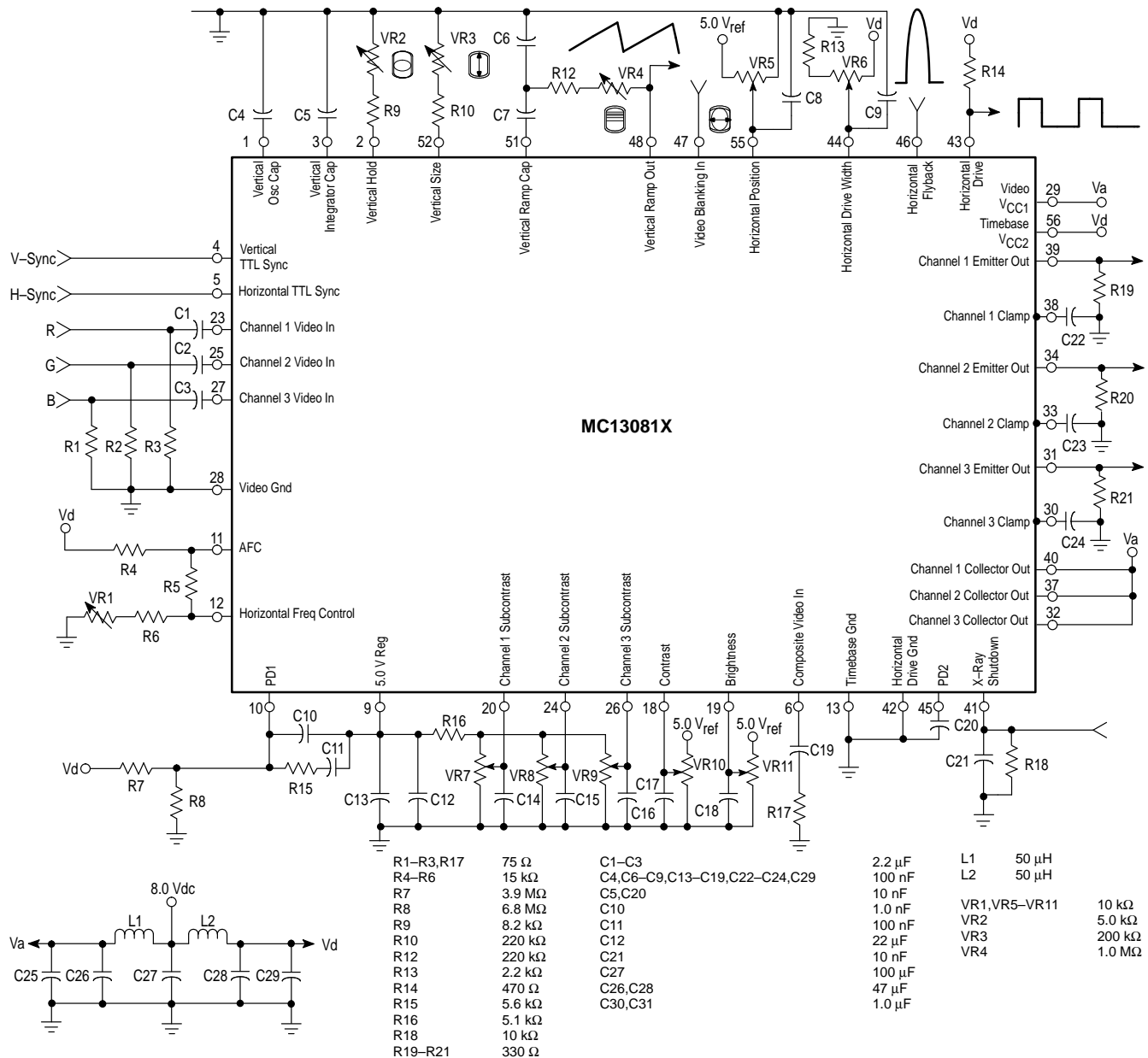
The vertical timebase section operates from 45 Hz to 100 Hz, and can receive various sync signals as the horizontal one does. This section consists of an oscillator and a ramp generator. Adjustments include linearity, ramp

amplitude, and minimum free running frequency in the absence of sync signal.

The video section has three 70 MHz bandwidth pre-amplifiers. The outputs of these amplifiers are uncommitted collector/emitter facilitating cascode configuration with subsequent stages. Controls include brightness and contrast. In addition, the voltage gain of each amplifier can be adjusted individually which provides flexibility in adjusting color correctness. Blanking and clamping signals are provided to the amplifiers internally from the timebase section. Additionally, a blanking signal can also be supplied externally.

Separate power supply and ground pins are provided to the timebase and video section in order to minimize the cross interference between these two sections.

Figure 2. Application Circuit



The following describes a step-by-step procedure in using the MC13801 for a typical multisync color monitor chassis; component notations refer to Figure 2.

1. Horizontal Frequency Range Resistor Network (Pins 11, 12)

F_{Hm} = Minimum Horizontal Frequency
 F_{Hx} = Maximum Horizontal Frequency
 Oscillator Transfer Constant = 122 Hz/ μ A

$$R5 = \frac{6.35 \times 10^8}{F_{Hx} - F_{Hm}}$$

$$R6 = \frac{5}{\frac{F_{Hx}}{122 \times 10^6} - \frac{3.5}{R5}}$$

$$R4 \leq \frac{V_{CC} - 6.0}{1.5} \times R5 \text{ and } \frac{V_{CC} - 1.5}{R4} < 1.0 \text{ mA}$$

For most applications, $R4 = R5$ provides the required results.

NOTE: In order to compensate device/component tolerance, a potentiometer is recommended in series with $R6$, as $VR1$.

2. Horizontal Frequency Range Phase Detector Filter Network (Pin 10)

Typical values are:

- C10 = 1.0 nF
- C11 = 100 nF
- R15 = 5.6 k
- C11 \geq 100 x C10

NOTE: C10 and C11 should have less than 1.0 μ A leakage.

3. Horizontal Free Running Frequency

The voltage at Pin 10 will be buffered to Pin 11, and hence control the internal oscillator. In the absence of horizontal sync signal, the free running horizontal frequency will vary between preset minimum and maximum horizontal frequency values.

If an undetermined free running frequency value is not desired, a large impedance resistor can be used to pull Pin 10 to V_{CC} or Gnd, and the free running frequency will be equal to F_{Hm} or F_{Hx} , respectively.

The free running frequency can also be set to any value within the horizontal frequency range by using a voltage divider, as $R7$ and $R8$ indicate.

$$V11 = V_D \times \frac{R7}{R7 + R8}$$

$$I12 = \frac{V11}{R6 + VR1} - \frac{V11 - 5}{5}$$

$$\text{Free Running Frequency} = I12 \mu\text{A} \times \frac{122 \text{ Hz}}{\mu\text{A}}$$

The above formula provides the ratio of $R7$ and $R8$. The values chosen should be similar to those shown in Figure 2.

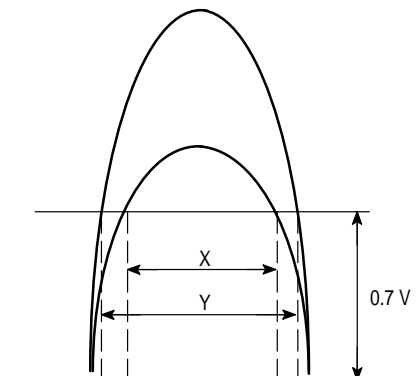
4. Horizontal Flyback Input (Pin 46)

The horizontal flyback signal not only provides proper timing reference for the horizontal drive output, but also supplies the necessary blanking for the video outputs.

There are two precautions for the flyback input. First, the signal should have a zero volt reference, and second, the peak value should be as near to V_{CC} as possible.

The threshold voltage for Pin 46 is 0.7 V. The blanking period depends on the amplitude, as shown in Figure 3 (X and Y, respectively). A larger amplitude provides better consistency and control of the blanking period.

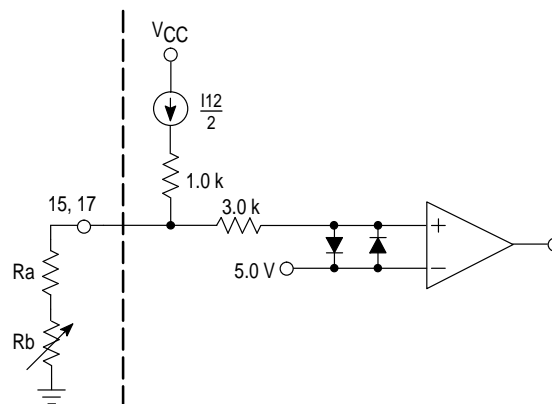
Figure 3. Voltage for Flyback



5. Frequency Switch (Pin 14 to 17)

There are two frequency switches available for screen size compensation for different timing standards. Each switch will turn on at the switch frequency set with its external resistor. See Figure 4.

Figure 4. FH Switches



The switch frequency is calculated as follow:

$$SF = \text{Switch Frequency} \quad SF = \frac{5 \times 2 \times 122 \times 10^6}{R_a + R_b}$$

In considering the ratio of R_a to R_b , the following parameters, and their tolerances, need to be clarified:

1. I_{osc} $\pm 10\%$
2. 5.0 V_{ref} $\pm 5\%$
3. V_{hys} $\pm 5\%$
4. R_a, R_b $\pm ?\%$

Internally, the lock-in horizontal frequency will build up a current reference, and half of this current reference is used for setting up a voltage and then compared with the internal 5.0 V_{ref} . Looking at the four parameters above, the first three are IC related, while the last item depends on the external component tolerance.

By adding up the first three items, the value of R_a and R_b should be chosen to compensate for about 20% of system tolerance.

Therefore, if R_a is chosen to be 70% of the calculated value ($R_a + R_b$), R_b should be 60% of ($R_a + R_b$). That

means, the overall adjustment is about 70% to 130%, which provides additional $\pm 10\%$ margin.

During normal operation, the frequency switch will switch "off" when the pin voltage falls 60 mV below the 5.0 V reference voltage (≈ 4.94 V), and will switch "on" when the pin voltage rises to 40 mV above the 5.0 V reference (≈ 5.04 V).

An Example: Require Trip Point @ 35 kHz

$$I_{12} = \frac{35 \times 10^3}{122} \mu\text{A}$$

$$\text{Trip Point Reference Current} = \frac{I_{12}}{2}$$

$$= \frac{35 \text{ k}}{122 \times 2} \mu\text{A}$$

$$R_a + R_b = \frac{5.0 \text{ V}}{\frac{35 \text{ k}}{122 \times 2} \mu\text{A}}$$

$$= 34857 \Omega$$

$$\text{Hysteresis @ 35 kHz} = \frac{5.04 - 4.94 \text{ V}}{34857 \Omega} \times \frac{122 \text{ Hz}}{\mu\text{A}}$$

$$\approx 350 \text{ Hz}$$

From above, $R_a + R_b = 34857 \Omega$

Select $R_a = 24 \text{ k}$, and $R_b = 20 \text{ k}$ Trim Pot

The Temperature Coefficient of the potentiometer can also be considered. If the value of the potentiometer and R_a vary by 1% (for example) over temperature, the error would be:

$$5 \times \left\{ \frac{1}{34857 \times 0.99} - \frac{1}{34857 \times 1.01} \right\} \times \frac{122 \text{ Hz}}{\mu\text{A}}$$

$$\approx 350 \text{ Hz}$$

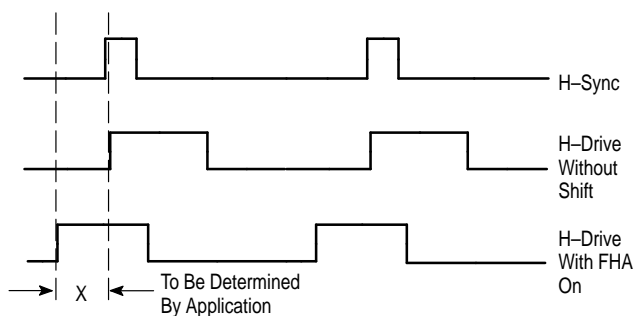
6. Horizontal Position Compensation for Selected Scan Frequency in Using FHA Switch

Referring to Figure 1 (block diagram), there is an output from the FHA switch to the horizontal drive output. When the FHA switch is switched on, at a specified horizontal frequency, there is a 1/8th horizontal line shift of H-Ramp1. Referring to Figures 5 and 9, a shift of H-Ramp1 will result in a shift of the H-Drive output timing with respect to flyback input.

The exact H-Drive output shift will be determined by the PD2 voltage (Pin 45), which is generated by the flyback input and the internal Comp1 output. That is related to the H-Drive output transistor storage time.

This function is particularly useful for high frequency scan rates. The higher the frequency, the more significant the storage time becomes, compared to the horizontal scan time.

Figure 5.



7. Proper Horizontal Phase Control

The horizontal adjustment range depends on the phase angle between the H-Sync signal and the horizontal flyback input. In reality, the actual adjustment range is a combination of horizontal frequency, front porch/back porch timing, flyback pulse width, and horizontal output transistor storage time. The following paragraph conveys the concept for normal operation.

There are two clamping situations for video signals. In case 1, separate VTTL and HTTL sync are provided, the video signal is clamped at sync tip, and the dc voltage built up is used for black level reference. In this instance, the clamp pulse has the same pulse width as H-Sync, and nearly the same position. This clamp pulse is blanked out internally. In order to allow the video output to complete the blanking action during horizontal retrace, the horizontal phase should not be over-adjusted. See Figure 6 for a pictorial perception. Accordingly, the total horizontal position adjustment range is calculated as the sum of Δt_1 and Δt_2 .

Should the phase of horizontal flyback/H-Sync move further left or right from the normal adjustment range, the black level reference voltage will be restored, and consequently a slightly brighter than screen dark region will be observed on-screen. See Figure 7 for pictorial explanation.

$$\text{Horizontal Blanking Time} = \text{FP}_{\text{time}} + \text{Sync Width} + \text{BP}_{\text{time}} = T_{\text{HB}}$$

Criterion for Normal Operation:

$$|\Delta t_1| < \frac{T_{\text{HB}}}{2} \quad |\Delta t_2| < \frac{T_{\text{HB}}}{2}$$

In other words, the left/right 0.7 V threshold flyback reference should be within the H-Sync pulse (shaded area of Figure 6).

Figure 6. Horizontal Position Adjustment at Normal Operation

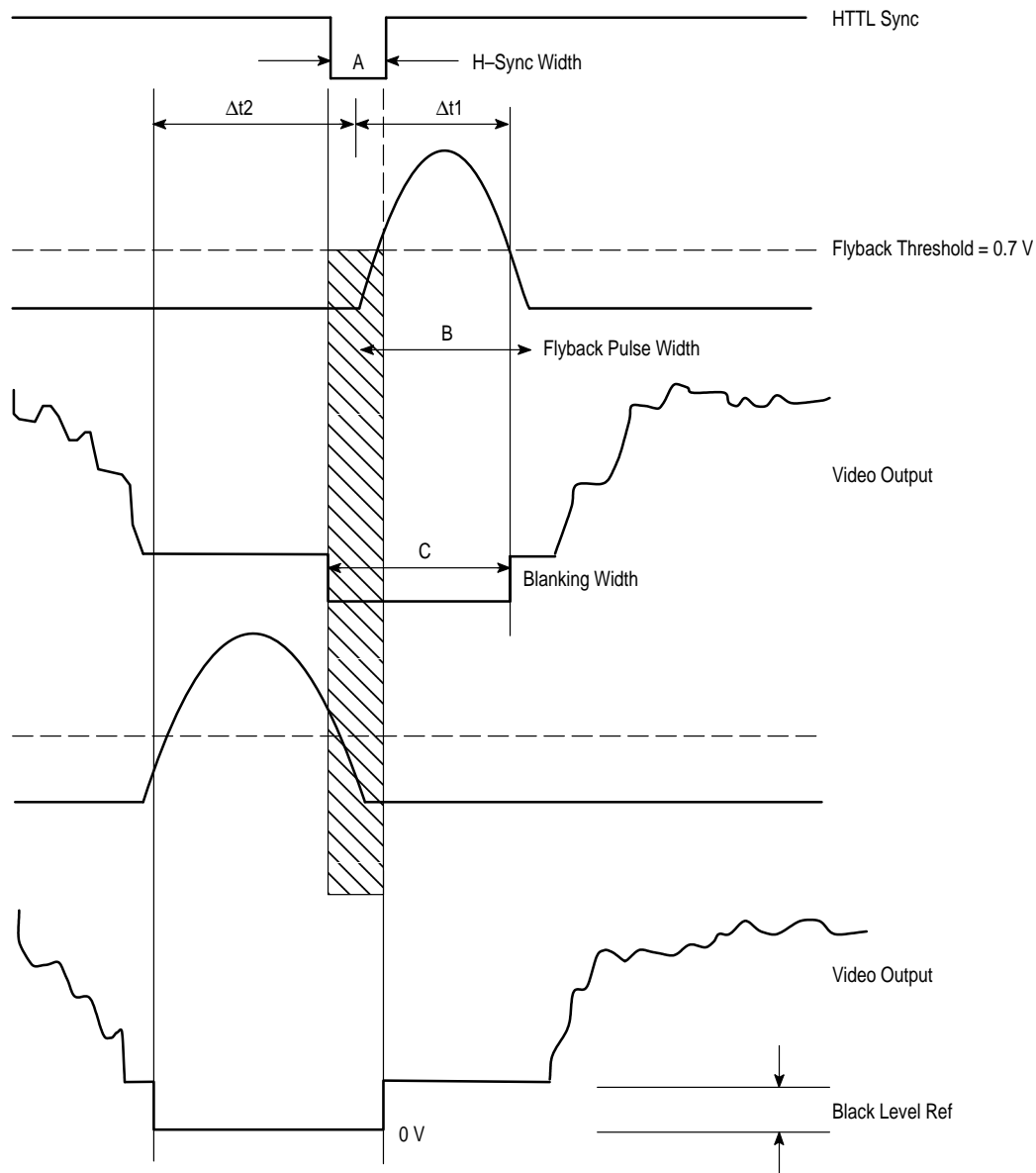
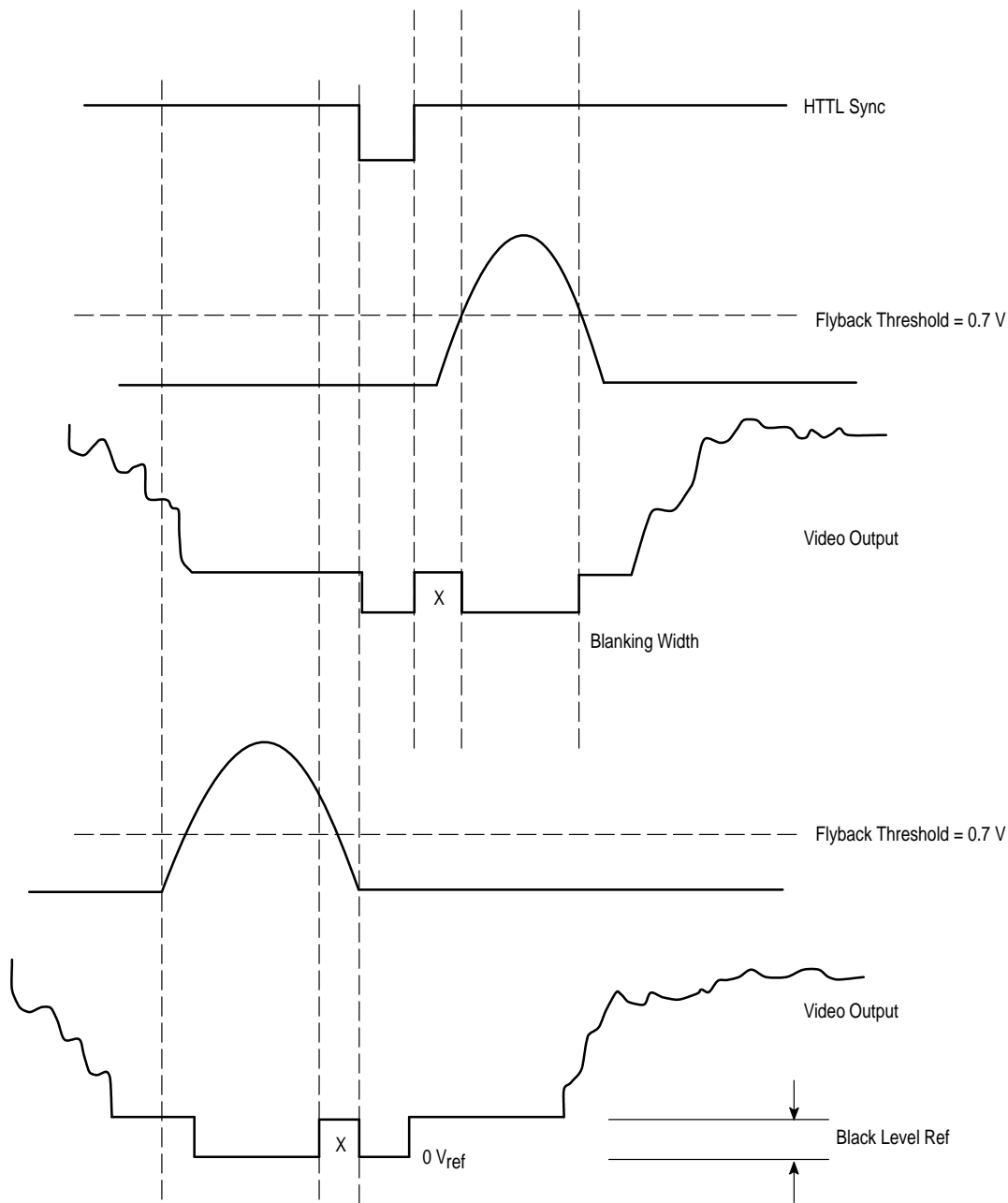
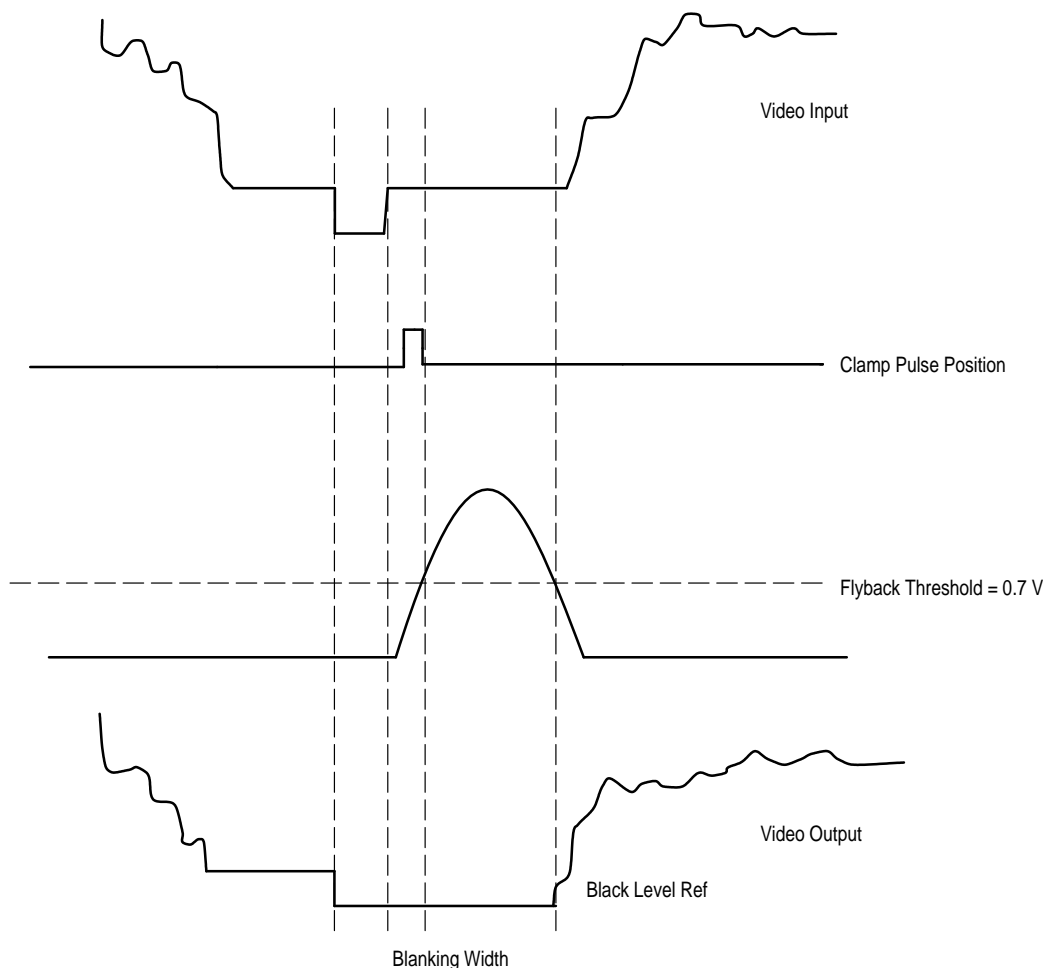


Figure 7. Horizontal Position Adjustment at Overscan Operation



NOTE: Region X will appear as bright vertical stripe.

Figure 8.



In case 2, composite sync is used instead of VTTL and HTTL sync, the clamp pulse is located at the backporch of the video signal, and the width of the clamp pulse is calculated as follows:

$$\text{Clamp Pulse Width} = \frac{1}{64 \times \text{Line Frequency}} \times 3$$

Blanking Width = Sync Width + Clamp Pulse Width + Flyback Threshold (0.7 V) (See Figure 8)

From the above diagram, it can be seen that the horizontal position adjustment is basically the same as case 1 except slightly wider with the addition of clamp pulse blanking.

8. Horizontal Timing Relationship for Phase Detector 2

The following paragraphs explain the PLL2 mechanism. Figure 9 portrays the timing signals of various parts of the IC.

In using the H-Sync pulse, which is generated from PLL1, a horizontal ramp 1 signal is created. H-Ramp1 starts at

1/4th line before H-Sync and the ramping slope is directly proportional to horizontal frequency. The lower tip of this ramp is at approximately 1.2 V, and the amplitude is about 4.2 V. By adjusting the dc bias to the H-Phase control, a pulse waveform is derived from this H-Ramp1.

A phase detector is used to compare the phase between the pulse generated above, and the incoming flyback pulse. An integrating capacitor is applied to generate a dc voltage. This dc voltage, PD2F output, is used to slice the H-Ramp1 signal in order to generate Comp2 output pulse.

A second ramp signal, H-Ramp2, is triggered from this Comp2 output. By applying a dc voltage (H-Width control) to H-Ramp2, the Comp3 output pulses are generated.

The H-Drive output is formed by the rising edge of Comp2 output and the rising edge of Comp3 output.

It can be seen from Figure 9, if the H-Phase control is over or under driven, it will reach the upper/lower tip of H-Ramp1, and thus PLL2 will be disturbed.

Figure 9. Horizontal Timing for PLL2 Internal Sections

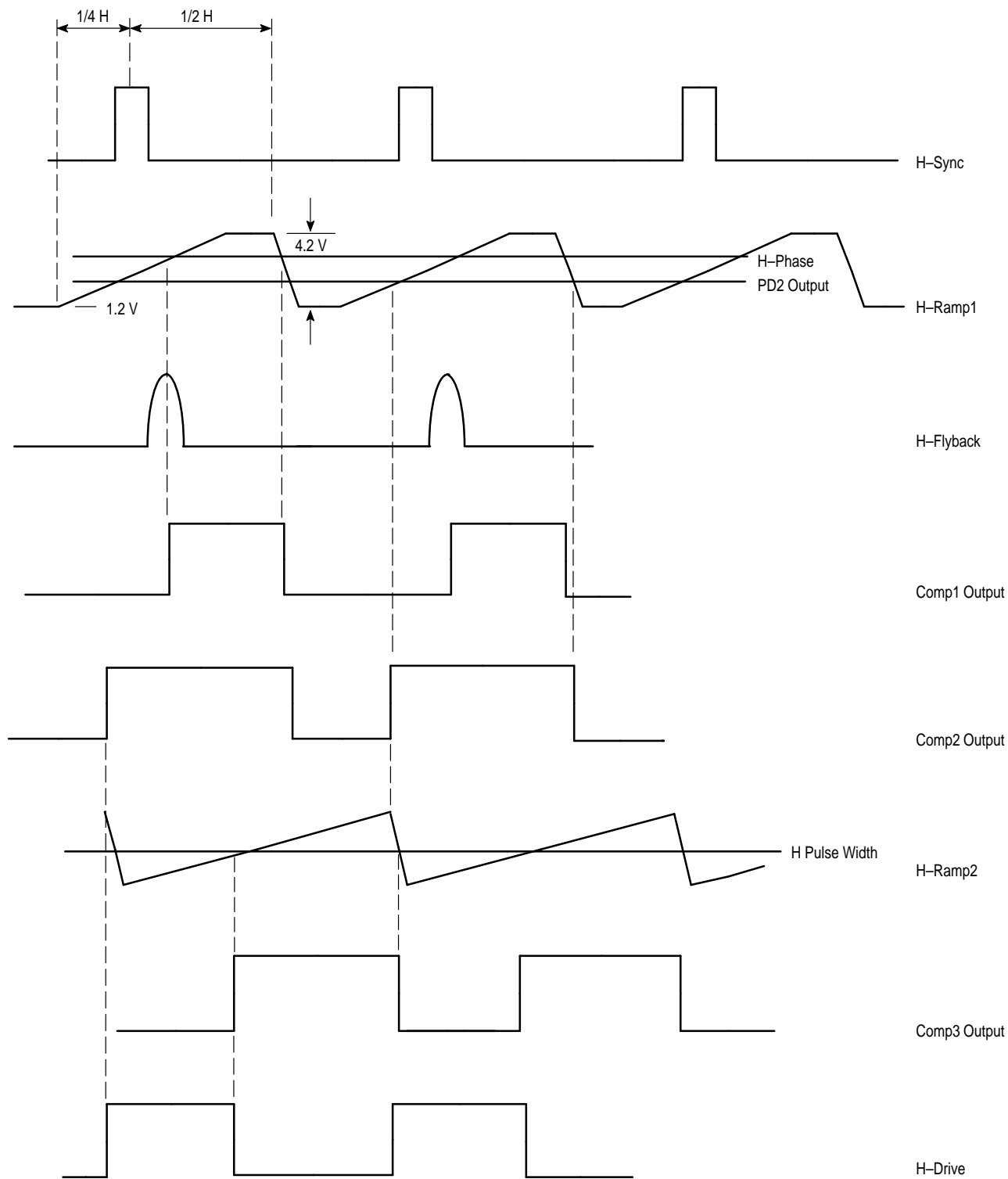
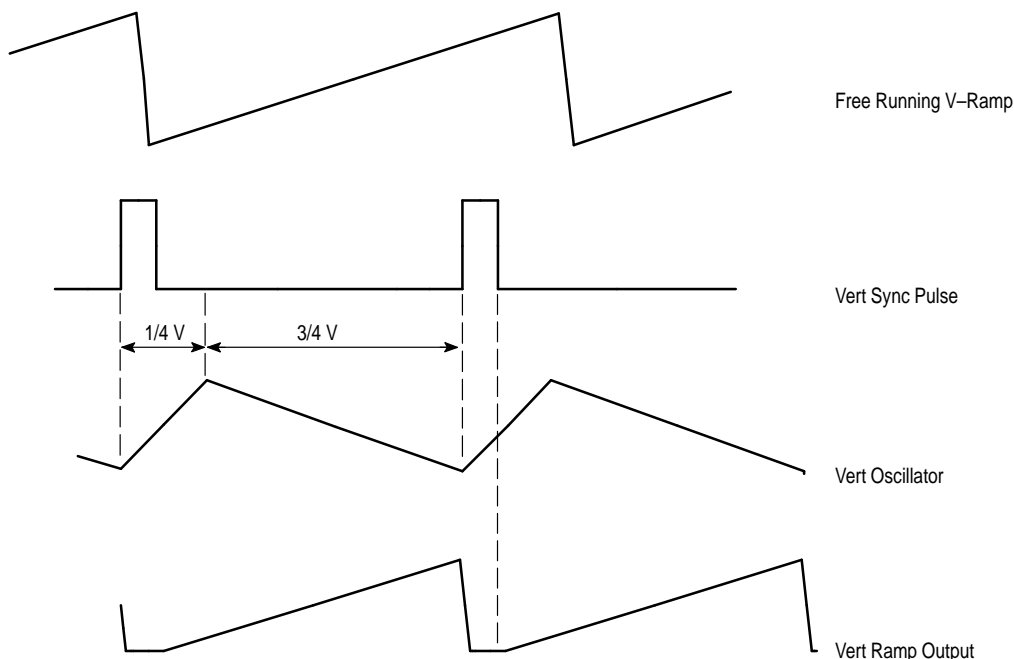


Figure 10. Vertical Section



9. Vertical Frequency Range (Pins 48, 51, 52)

The MC13081X vertical oscillator is an injection-lock type. The device can handle vertical frequency from 45 Hz to 100 Hz.

The internal ramp generator will generate a ramp output in the absence of a V-Sync signal. Upon receiving an external vertical sync pulse, the ramp up portion is forced to retrace, and therefore, the vertical ramp output is synchronized with incoming V-Sync.

The slope of the Vertical Ramp output is directly proportional to the current flowing out of Pin 52. Half of this current is used to charge up the Vertical Ramp Capacitor. As the charging current is increased, so does the ramp slope. External feedback can be provided from Pin 48 to Pins 51 and 52 for linearity adjustment.

10. Vertical Free Running Frequency (Pins 1, 2)

The purpose of the vertical oscillator is to maintain a vertical ramp to the deflection circuitry in the event the vertical sync is not present. Because of the injection-lock type, the free running frequency must be lower than the system's lowest vertical frequency.

While various combinations of C4 and R9 can produce a given frequency, it is recommended C4 be 0.1 μF in order to obtain practical values for R9. The free running frequency should be set at about 10% lower than the minimum operating vertical frequency (54 Hz for a 60 Hz system).

R9 is then calculated from:

$$R9 = \frac{V_{CC} - 1.4}{96 \times C4 \times FV} - 2.5 \text{ k}$$

Connecting a potentiometer, (VR2) provides "Vertical Hold" adjustment.

11. X-Ray Shutdown Protection (Pin 41)

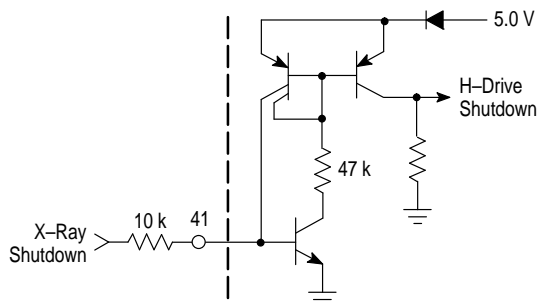
The X-Ray input (Pin 41) permits shutting off the horizontal drive, usually by external circuitry which monitors faults within the high voltage supply, such as excess anode current. This input is activated by taking it above $\approx 0.6 \text{ V}$ which causes the drive transistor at Pin 43 to be turned on (low) permanently by an internal latch.

An external resistor must be connected to Pin 41 to limit the input current, and to assist with the latching action (see Figure 11). 10 k Ω is a typical value, but the value can be chosen based on the specifics of the driving circuit. The external resistor reduces the sensitivity of Pin 41 to noise and transients which may otherwise result in false latches.

To resume normal operation (after correction of the fault), lower Pin 41 below 0.4 V. If the external circuit's normal operation does not take it below 0.4 V, but does take it below 0.6 V, then recycle V_{CC} "off"–"on". If the pin is not used, it must be connected to ground.

The minimum holding current to keep the latch on is $\approx 70 \mu\text{A}$, while the minimum turn-on current is $\approx 0.4 \mu\text{A}$.

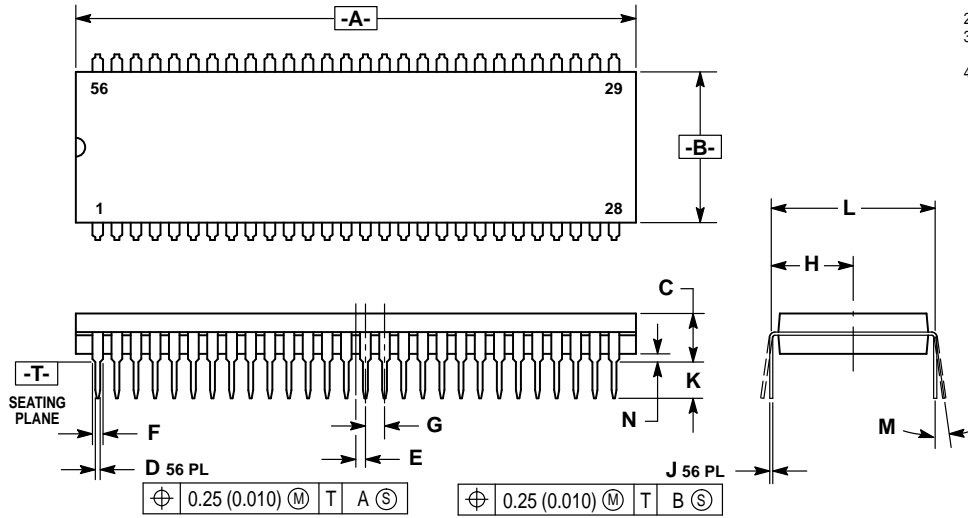
Figure 11. X-Ray Shutdown Circuit



MC13081X

OUTLINE DIMENSIONS

B SUFFIX
 PLASTIC SDIP PACKAGE
 CASE 859-01
 ISSUE O



NOTES:

1. DIMENSIONS AND TOLERANCING PER ANSI Y14.5M, 1982.
2. CONTROLLING DIMENSION: INCH.
3. DIMENSION L TO CENTER OF LEAD WHEN FORMED PARALLEL.
4. DIMENSIONS A AND B DO NOT INCLUDE MOLD FLASH. MAXIMUM MOLD FLASH 0.25 (0.010).

DIM	INCHES		MILLIMETERS	
	MIN	MAX	MIN	MAX
A	2.035	2.065	51.69	52.45
B	0.540	0.560	13.72	14.22
C	0.155	0.200	3.94	5.08
D	0.014	0.022	0.36	0.56
E	0.035 BSC		0.89 BSC	
F	0.032	0.046	0.81	1.17
G	0.070 BSC		1.778 BSC	
H	0.300 BSC		7.62 BSC	
J	0.008	0.015	0.20	0.38
K	0.115	0.135	2.92	3.43
L	0.600 BSC		15.24 BSC	
M	0°	15°	0°	15°
N	0.020	0.040	0.51	1.02

MC13081X

Motorola reserves the right to make changes without further notice to any products herein. Motorola makes no warranty, representation or guarantee regarding the suitability of its products for any particular purpose, nor does Motorola assume any liability arising out of the application or use of any product or circuit, and specifically disclaims any and all liability, including without limitation consequential or incidental damages. "Typical" parameters which may be provided in Motorola data sheets and/or specifications can and do vary in different applications and actual performance may vary over time. All operating parameters, including "Typicals" must be validated for each customer application by customer's technical experts. Motorola does not convey any license under its patent rights nor the rights of others. Motorola products are not designed, intended, or authorized for use as components in systems intended for surgical implant into the body, or other applications intended to support or sustain life, or for any other application in which the failure of the Motorola product could create a situation where personal injury or death may occur. Should Buyer purchase or use Motorola products for any such unintended or unauthorized application, Buyer shall indemnify and hold Motorola and its officers, employees, subsidiaries, affiliates, and distributors harmless against all claims, costs, damages, and expenses, and reasonable attorney fees arising out of, directly or indirectly, any claim of personal injury or death associated with such unintended or unauthorized use, even if such claim alleges that Motorola was negligent regarding the design or manufacture of the part. Motorola and  are registered trademarks of Motorola, Inc. Motorola, Inc. is an Equal Opportunity/Affirmative Action Employer.

How to reach us:

USA/EUROPE/Locations Not Listed: Motorola Literature Distribution;
P.O. Box 20912; Phoenix, Arizona 85036. 1-800-441-2447 or 602-303-5454

MFAX: RMFAX0@email.sps.mot.com – TOUCHTONE 602-244-6609
INTERNET: <http://Design-NET.com>

JAPAN: Nippon Motorola Ltd.; Tatsumi-SPD-JLDC, 6F Seibu-Butsuryu-Center,
3-14-2 Tatsumi Koto-Ku, Tokyo 135, Japan. 03-81-3521-8315

ASIA/PACIFIC: Motorola Semiconductors H.K. Ltd.; 8B Tai Ping Industrial Park,
51 Ting Kok Road, Tai Po, N.T., Hong Kong. 852-26629298



MOTOROLA



MC13081X/D

